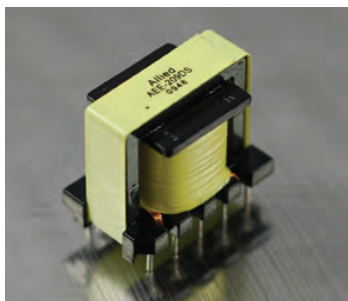


AEE16 High Frequency Transformers



- EE16 Core Design
- Through Hole
- Vertical Mount for Smaller Foot Print
- Flyback Topology
- 3KVrms Hi-pot Rating
- 18mm Max Ht
- Operating Temperature -40°C ~ +130°C

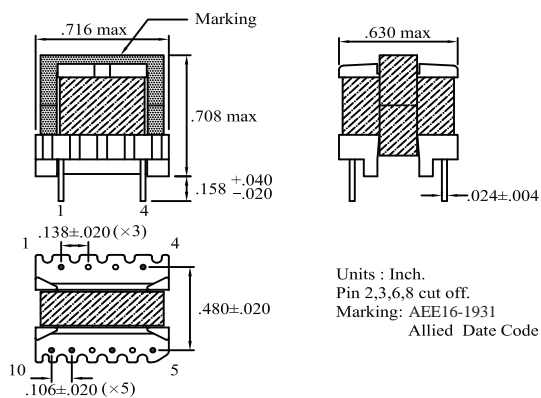
Electrical Specifications @25°C				Schematics			
Part Number	Turn Ratio	Inductance	Leakage Inductance				
AEE16-1931	7-5 : 4-1 : 10-9	7-5 other windings open	7-5 short 1,4				
	22 : 1 : 5	3200uH±10%	56uH max				
	DCR		VAC Hi-Pot (3mA/60s)				
	7-5	4-1	10-9			pri to sec	
	6400mΩ max	20mΩ max	360mΩ max			3000V	
Part Number	Turn Ratio	Inductance	Leakage Inductance				
AEE16-2115	2-1 : 3-4 : 5-6 : 10-9	2-1 other windings open	2-1 short 3,4,5,6,9,10				
	18 : 4 : 1 : 1.4	1000uH±15%	40uH max				
	DCR		VAC Hi-Pot (3mA/60s)				
	2-1	3-4	5-6			10-9	pri to sec
	3220mΩ max	210mΩ max	70mΩ max			80mΩ max	3000V
Part Number	Turn Ratio	Inductance	Leakage Inductance				
AEE16-2517	7-5 : 4-1 : 10-9	7-5 other windings open	7-5 short 1,4,9,10				
	8.5 : 1 : 1.23	1200uH±10%	30uH max				
	DCR		VAC Hi-Pot (3mA/60s)				
	7-5	4-1	10-9			pri to sec	
	4950mΩ max	57.5mΩ max	915mΩ max			3000V	
Part Number	Turn Ratio	Inductance	Leakage Inductance				
AEE16-2531	1-4 : 9-6	1-4 other windings open	1-4 short 9,6				
	0.5 : 1	4.5uH±12%	0.21uH max				
	DCR		VAC Hi-Pot (3mA/60s)				
	1-4	9-6	pri to sec				
	142mΩ max	73mΩ max	4000V				
Part Number	Turn Ratio	Inductance	Leakage Inductance				
AEE16-2621	5-7 : 4-3 : 2-1 : 9-10	5-7 other windings open	5-7 short 4,3,2,1				
	4.0 : 2.5 : 1 : 2.5	1000uH±10%	17uH max				
	DCR		VAC Hi-Pot (3mA/60s)				
	5-7	4-3	2-1			9-10	pri to sec
	2430mΩ max	260mΩ max	82mΩ max			89mΩ max	4000V

AEE16

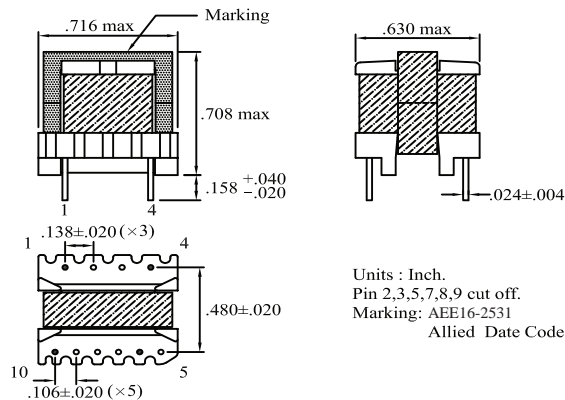
High Frequency Transformers



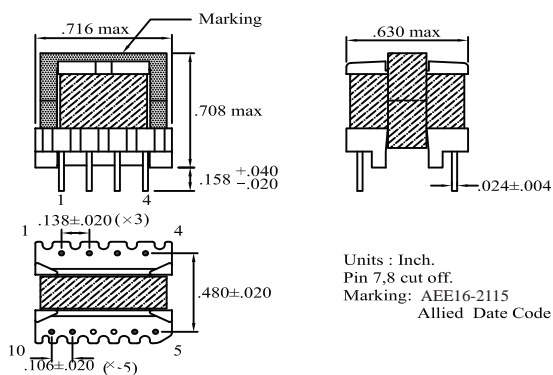
AEE16-1931



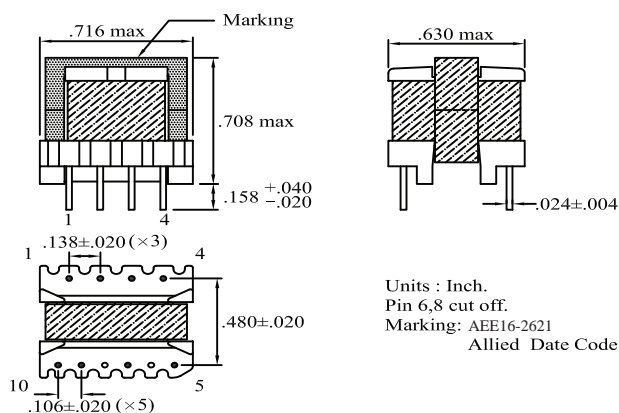
AEE16-2531



AEE16-2115



AEE16-2621



AEE16-2517

