

5

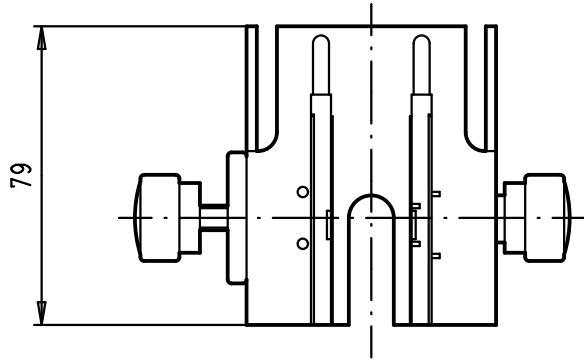
4

3

2

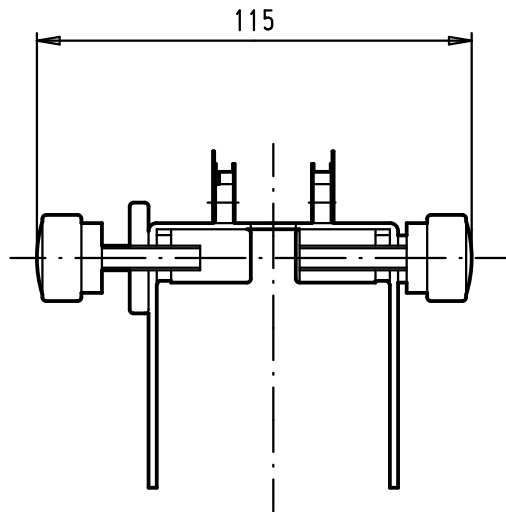
1

D

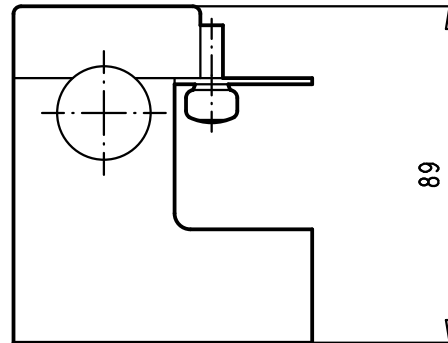


C

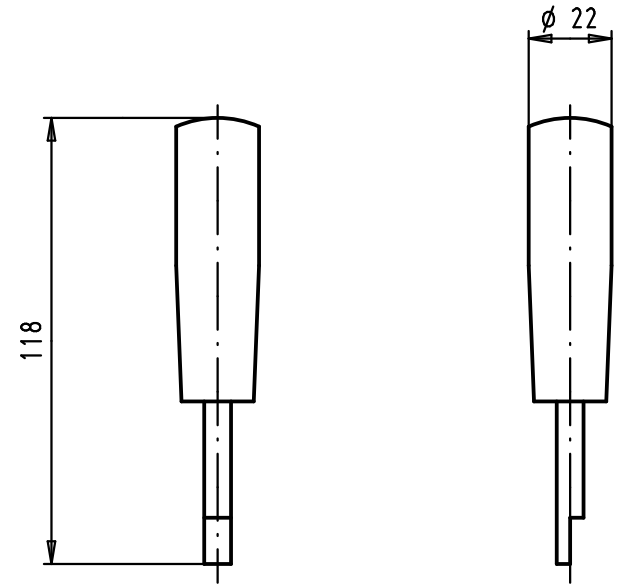
Cable aligner



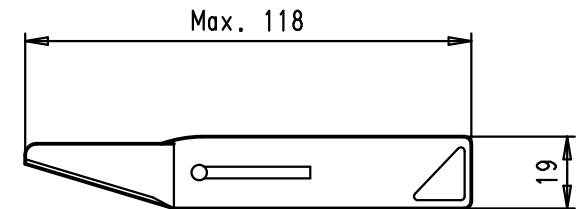
B





A



Press cutter



				Dot.	Name	 All Dim. in mm Orig. Size DIN A 4	Har-link tools: Cable aligner for insulation displacement termination and press cutter	Maßstab/ Scale 1:2
			Detail.	28/08/08	PK			
			Insp.					
			Stand.					
35278	28/08/08	PK	HARTING EURL F-95972 Paris				TB 27 79 000 0001	Blatt/ Page 1 / 1
Mod.	Dot.	Name						