

FEATURES

- **Tiny 3mm × 3mm 8-Pin DFN Package**
- **Maximum 16-Bit INL Error: ± 1 LSB over Temperature**
- **Low 120 μ A Supply Current**
- **Guaranteed Monotonic over Temperature**
- **Low 0.5nV•sec Glitch Impulse**
- 2.7V to 5.5V Single Supply Operation
- Fast 1 μ s Settling Time to 16 Bits
- Unbuffered Voltage Output Directly Drives 60k Loads
- 50MHz SPI/QSPI/MICROWIRE Compatible Serial Interface
- Power-On Reset Clears DAC Output to Zero Scale (LTC2641) or Midscale (LTC2642)
- Schmitt-Trigger Inputs for Direct Optocoupler Interface
- Asynchronous $\overline{\text{CLR}}$ Pin
- 8-Lead MSOP and 3mm × 3mm DFN Packages (LTC2641)
- 10-Lead MSOP and 3mm × 3mm DFN Packages (LTC2642)

APPLICATIONS

- High Resolution Offset and Gain Adjustment
- Process Control and Industrial Automation
- Automatic Test Equipment
- Data Acquisition Systems

DESCRIPTION

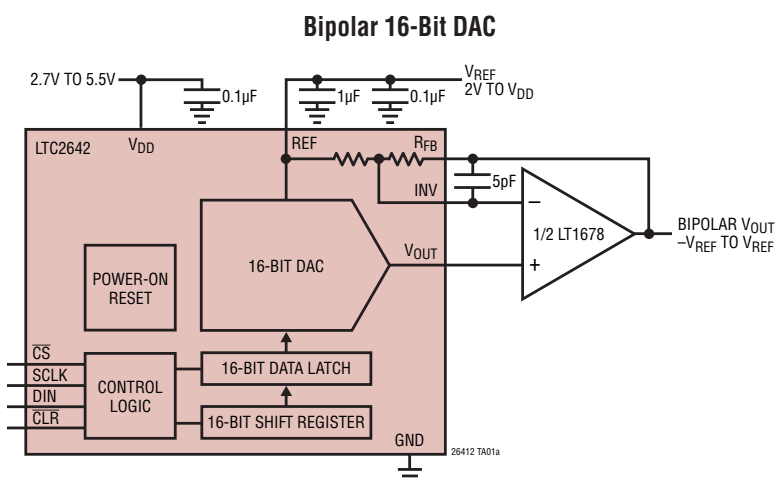
The **LTC[®]2641/LTC2642** are families of 16-, 14- and 12-bit unbuffered voltage output DACs. These DACs operate from a single 2.7V to 5.5V supply and are guaranteed monotonic over temperature. The LTC2641A-16/LTC2642A-16 provide 16-bit performance (± 1 LSB INL and ± 1 LSB DNL) over temperature. Unbuffered DAC outputs result in low supply current of 120 μ A and a low offset error of ± 1 LSB.

Both the LTC2641 and LTC2642 feature a reference input range of 2V to V_{DD} . V_{OUT} swings from 0V to V_{REF} . For bipolar operation, the LTC2642 includes matched scaling resistors for use with an external precision op amp (such as the LT1678), generating a $\pm V_{REF}$ output swing at R_{FB} .

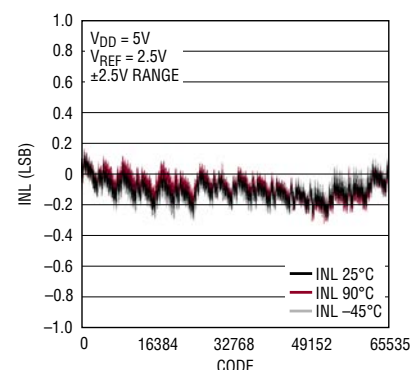
The LTC2641/LTC2642 use a simple SPI/MICROWIRE compatible 3-wire serial interface which can be operated at clock rates up to 50MHz and can interface directly with optocouplers for applications requiring isolation. A power-on reset circuit clears the LTC2641's DAC output to zero scale and the LTC2642's DAC output to midscale when power is initially applied. A logic low on the $\overline{\text{CLR}}$ pin asynchronously clears the DAC to zero scale (LTC2641) or midscale (LTC2642). These DACs are all specified over the commercial and industrial ranges.

LT, LT, LTC, LTM, Linear Technology and the Linear logo are registered trademarks and SoftSpan is a trademark of Linear Technology Corporation. All other trademarks are the property of their respective owners.

TYPICAL APPLICATION



LTC2642-16 Integral Nonlinearity



26412fc

LTC2641/LTC2642

ABSOLUTE MAXIMUM RATINGS (Note 1)

| | | | |
|--|------------------------------------|---|----------------|
| V_{DD} to GND | -0.3V to 6V | Operating Temperature Range | |
| \overline{CS} , SCLK, DIN, | | LTC2641C/LTC2642C | 0°C to 70°C |
| \overline{CLR} to GND | -0.3V to ($V_{DD} + 0.3V$) or 6V | LTC2641I/LTC2642I | -40°C to 85°C |
| REF, V_{OUT} , INV to GND | -0.3V to ($V_{DD} + 0.3V$) or 6V | Maximum Junction Temperature (Note 2) | 125°C |
| R_{FB} to INV | -6V to 6V | Storage Temperature Range | -65°C to 150°C |
| R_{FB} to GND | -6V to 6V | Lead Temperature (Soldering, 10 sec) | 300°C |
| GND to GND (S8 Package) OBSOLETE | -0.3V to 0.3V | | |

PIN CONFIGURATION

| | | |
|--|---|---|
| <p>LTC2641</p> <p>TOP VIEW</p> <p>DD PACKAGE 8-LEAD (3mm × 3mm) PLASTIC DFN</p> <p>$T_{JMAX} = 125^{\circ}C$ (NOTE 2), $\theta_{JA} = 43^{\circ}C/W$ EXPOSED PAD (PIN 9) IS GND, MUST BE SOLDERED TO PCB</p> | <p>LTC2641</p> <p>TOP VIEW</p> <p>MS8 PACKAGE 8-LEAD PLASTIC MSOP</p> <p>$T_{JMAX} = 125^{\circ}C$ (NOTE 2), $\theta_{JA} = 120^{\circ}C/W$</p> | <p>LTC2641</p> <p>TOP VIEW</p> <p>S8 PACKAGE 8-LEAD PLASTIC SO</p> <p>$T_{JMAX} = 125^{\circ}C$, $\theta_{JA} = 110^{\circ}C/W$ OBSOLETE PACKAGE</p> |
| <p>LTC2642</p> <p>TOP VIEW</p> <p>DD PACKAGE 10-LEAD (3mm × 3mm) PLASTIC DFN</p> <p>$T_{JMAX} = 125^{\circ}C$ (NOTE 2), $\theta_{JA} = 43^{\circ}C/W$ EXPOSED PAD (PIN 11) IS GND, MUST BE SOLDERED TO PCB</p> | <p>LTC2642</p> <p>TOP VIEW</p> <p>MS PACKAGE 10-LEAD PLASTIC MSOP</p> <p>$T_{JMAX} = 125^{\circ}C$ (NOTE 2), $\theta_{JA} = 120^{\circ}C/W$</p> | |

ORDER INFORMATION

| LEAD FREE FINISH | TAPE AND REEL | PART MARKING* | PACKAGE DESCRIPTION | TEMPERATURE RANGE |
|---------------------|-----------------------|---------------|---------------------------------|-------------------|
| LTC2641ACDD-16#PBF | LTC2641ACDD-16#TRPBF | LCZP | 8-Lead (3mm × 3mm) Plastic DFN | 0°C to 70°C |
| LTC2641CDD-16#PBF | LTC2641CDD-16#TRPBF | LCZP | 8-Lead (3mm × 3mm) Plastic DFN | 0°C to 70°C |
| LTC2641CDD-14#PBF | LTC2641CDD-14#TRPBF | LCZN | 8-Lead (3mm × 3mm) Plastic DFN | 0°C to 70°C |
| LTC2641CDD-12#PBF | LTC2641CDD-12#TRPBF | LCZM | 8-Lead (3mm × 3mm) Plastic DFN | 0°C to 70°C |
| LTC2641AIDD-16#PBF | LTC2641AIDD-16#TRPBF | LCZP | 8-Lead (3mm × 3mm) Plastic DFN | -40°C to 85°C |
| LTC2641IDD-16#PBF | LTC2641IDD-16#TRPBF | LCZP | 8-Lead (3mm × 3mm) Plastic DFN | -40°C to 85°C |
| LTC2641IDD-14#PBF | LTC2641IDD-14#TRPBF | LCZN | 8-Lead (3mm × 3mm) Plastic DFN | -40°C to 85°C |
| LTC2641IDD-12#PBF | LTC2641IDD-12#TRPBF | LCZM | 8-Lead (3mm × 3mm) Plastic DFN | -40°C to 85°C |
| LTC2641ACMS8-16#PBF | LTC2641ACMS8-16#TRPBF | LTCZS | 8-Lead Plastic MSOP | 0°C to 70°C |
| LTC2641CMS8-16#PBF | LTC2641CMS8-16#TRPBF | LTCZS | 8-Lead Plastic MSOP | 0°C to 70°C |
| LTC2641CMS8-14#PBF | LTC2641CMS8-14#TRPBF | LTCZR | 8-Lead Plastic MSOP | 0°C to 70°C |
| LTC2641CMS8-12#PBF | LTC2641CMS8-12#TRPBF | LTCZQ | 8-Lead Plastic MSOP | 0°C to 70°C |
| LTC2641AIMS8-16#PBF | LTC2641AIMS8-16#TRPBF | LTCZS | 8-Lead Plastic MSOP | -40°C to 85°C |
| LTC2641IMS8-16#PBF | LTC2641IMS8-16#TRPBF | LTCZS | 8-Lead Plastic MSOP | -40°C to 85°C |
| LTC2641IMS8-14#PBF | LTC2641IMS8-14#TRPBF | LTCZR | 8-Lead Plastic MSOP | -40°C to 85°C |
| LTC2641IMS8-12#PBF | LTC2641IMS8-12#TRPBF | LTCZQ | 8-Lead Plastic MSOP | -40°C to 85°C |
| LTC2642ACDD-16#PBF | LTC2642ACDD-16#TRPBF | LCZW | 10-Lead (3mm × 3mm) Plastic DFN | 0°C to 70°C |
| LTC2642CDD-16#PBF | LTC2642CDD-16#TRPBF | LCZW | 10-Lead (3mm × 3mm) Plastic DFN | 0°C to 70°C |
| LTC2642CDD-14#PBF | LTC2642CDD-14#TRPBF | LCZV | 10-Lead (3mm × 3mm) Plastic DFN | 0°C to 70°C |
| LTC2642CDD-12#PBF | LTC2642CDD-12#TRPBF | LCZT | 10-Lead (3mm × 3mm) Plastic DFN | 0°C to 70°C |
| LTC2642AIDD-16#PBF | LTC2642AIDD-16#TRPBF | LCZW | 10-Lead (3mm × 3mm) Plastic DFN | -40°C to 85°C |
| LTC2642IDD-16#PBF | LTC2642IDD-16#TRPBF | LCZW | 10-Lead (3mm × 3mm) Plastic DFN | -40°C to 85°C |
| LTC2642IDD-14#PBF | LTC2642IDD-14#TRPBF | LCZV | 10-Lead (3mm × 3mm) Plastic DFN | -40°C to 85°C |
| LTC2642IDD-12#PBF | LTC2642IDD-12#TRPBF | LCZT | 10-Lead (3mm × 3mm) Plastic DFN | -40°C to 85°C |
| LTC2642ACMS-16#PBF | LTC2642ACMS-16#TRPBF | LTCZZ | 10-Lead Plastic MSOP | 0°C to 70°C |
| LTC2642CMS-16#PBF | LTC2642CMS-16#TRPBF | LTCZZ | 10-Lead Plastic MSOP | 0°C to 70°C |
| LTC2642CMS-14#PBF | LTC2642CMS-14#TRPBF | LTCZY | 10-Lead Plastic MSOP | 0°C to 70°C |
| LTC2642CMS-12#PBF | LTC2642CMS-12#TRPBF | LTCZX | 10-Lead Plastic MSOP | 0°C to 70°C |
| LTC2642AIMS-16#PBF | LTC2642AIMS-16#TRPBF | LTCZZ | 10-Lead Plastic MSOP | -40°C to 85°C |
| LTC2642IMS-16#PBF | LTC2642IMS-16#TRPBF | LTCZZ | 10-Lead Plastic MSOP | -40°C to 85°C |
| LTC2642IMS-14#PBF | LTC2642IMS-14#TRPBF | LTCZY | 10-Lead Plastic MSOP | -40°C to 85°C |
| LTC2642IMS-12#PBF | LTC2642IMS-12#TRPBF | LTCZX | 10-Lead Plastic MSOP | -40°C to 85°C |
| OBSOLETE | | | | |
| LTC2641CS8-16#PBF | LTC2641CS8-16#TRPBF | 264116 | 8-Lead Plastic SO | 0°C to 70°C |
| LTC2641IS8-16#PBF | LTC2641IS8-16#TRPBF | 264116 | 8-Lead Plastic SO | -40°C to 85°C |

Consult LTC Marketing for parts specified with wider operating temperature ranges. *The temperature grade is identified by a label on the shipping container. Consult LTC Marketing for information on non-standard lead based finish parts.

For more information on lead free part marking, go to: <http://www.linear.com/leadfree/>

For more information on tape and reel specifications, go to: <http://www.linear.com/tapeandree/>

LTC2641/LTC2642

ELECTRICAL CHARACTERISTICS The ● denotes the specifications which apply over the full operating temperature range, otherwise specifications are at $T_A = 25^\circ\text{C}$. $V_{DD} = 3\text{V}$ or 5V , $V_{REF} = 2.5\text{V}$, $C_L = 10\text{pF}$, $\text{GND} = 0$, $R_L = \infty$ unless otherwise specified.

| SYMBOL | PARAMETER | CONDITIONS | LTC2641-12 LTC2642-12 | | | LTC2641-14 LTC2642-14 | | | LTC2641-16 LTC2642-16 | | | LTC2641A-16 LTC2642A-16 | | | UNITS |
|---------------------------|---------------------------|----------------------------|--------------------------|-----|-------|--------------------------|-------|------|--------------------------|------|--------|----------------------------|--------|--------|-------|
| | | | MIN | TYP | MAX | MIN | TYP | MAX | MIN | TYP | MAX | MIN | TYP | MAX | |
| Static Performance | | | | | | | | | | | | | | | |
| N | Resolution | | ● | 12 | | 14 | | 16 | | 16 | | | | Bits | |
| | Monotonicity | | ● | 12 | | 14 | | 16 | | 16 | | | | Bits | |
| DNL | Differential Nonlinearity | (Note 3) | ● | | ±0.5 | ±0.5 | ±1 | ±0.5 | ±1 | ±0.5 | ±1 | ±0.5 | ±1 | LSB | |
| INL | Integral Nonlinearity | (Note 3) | ● | | ±0.5 | ±0.5 | ±1 | ±0.5 | ±2 | ±0.5 | ±1 | ±0.5 | ±1 | LSB | |
| ZSE | Zero Code Offset Error | Code = 0 | ● | | 1 | | 2 | | 2 | | 2 | | 2 | LSB | |
| ZSTC | Zero Code Tempco | | | | ±0.05 | | ±0.05 | | ±0.05 | | ±0.05 | | ±0.05 | ppm/°C | |
| GE | Gain Error | | ● | | ±0.5 | ±2 | ±1 | ±4 | ±2 | ±5 | ±2 | ±5 | ±2 | ±5 | LSB |
| GETC | Gain Error Tempco | | | | ±0.1 | | ±0.1 | | ±0.1 | | ±0.1 | | ±0.1 | ppm/°C | |
| R _{OUT} | DAC Output Resistance | (Note 4) | | | 6.2 | | 6.2 | | 6.2 | | 6.2 | | 6.2 | kΩ | |
| | Bipolar Resistor Matching | (LTC2642) R_{FB}/R_{INV} | | | 1 | | 1 | | 1 | | 1 | | 1 | | |
| | | Ratio Error (Note 7) | ● | | ±0.1 | | ±0.03 | | ±0.015 | | ±0.015 | | ±0.015 | % | |
| BZE | Bipolar Zero Offset Error | (LTC2642) | ● | | ±0.5 | ±2 | ±0.5 | ±4 | ±2 | ±5 | ±2 | ±5 | ±2 | ±5 | LSB |
| BZSTC | Bipolar Zero Tempco | (LTC2642) | | | ±0.1 | | ±0.1 | | ±0.1 | | ±0.1 | | ±0.1 | ppm/°C | |
| PSR | Power Supply Rejection | $\Delta V_{DD} = \pm 10\%$ | ● | | ±0.5 | | ±0.5 | | ±1 | | ±1 | | ±1 | LSB | |

The ● denotes the specifications which apply over the full operating temperature range, otherwise specifications are at $T_A = 25^\circ\text{C}$. $V_{DD} = 3\text{V}$ or 5V , $V_{REF} = 2.5\text{V}$, $C_L = 10\text{pF}$, $\text{GND} = 0$, $R_L = \infty$ unless otherwise specified.

| SYMBOL | PARAMETER | CONDITIONS | MIN | TYP | MAX | UNITS |
|------------------------|-------------------------------------|-------------------------|-----|-----|----------|-------|
| Reference Input | | | | | | |
| V_{REF} | Reference Input Range | | ● | 2.0 | V_{DD} | V |
| R_{REF} | Reference Input Resistance (Note 5) | Unipolar Mode (LTC2641) | ● | 11 | 14.8 | kΩ |
| | | Bipolar Mode (LTC2642) | ● | 8.5 | 11.4 | kΩ |

Dynamic Performance— V_{OUT}

| | | | | | | |
|----|--------------------------|--|--|-----|--|------|
| SR | Voltage Output Slew Rate | Measured from 10% to 90% | | 15 | | V/μs |
| | Output Settling Time | To ±0.5LSB of FS | | 1 | | μs |
| | DAC Glitch Impulse | Major Carry Transition | | 0.5 | | nV•s |
| | Digital Feedthrough | Code = 0000hex; NCS = V_{DD} ; SCLK, DIN OV to V_{DD} Levels | | 0.2 | | nV•s |

Dynamic Performance—Reference Input

| | | | | | | |
|---------------|-----------------------------|--|--|-----------|--|-------------------|
| BW | Reference -3dB Bandwidth | Code = FFFFhex | | 1.3 | | MHz |
| | Reference Feedthrough | Code = 0000hex, $V_{REF} = 1V_{P-P}$ at 100kHz | | 1 | | mV _{P-P} |
| SNR | Signal-to-Noise Ratio | | | 92 | | dB |
| $C_{IN(REF)}$ | Reference Input Capacitance | Code = 0000hex Code = FFFFhex | | 75 120 | | pF pF |

Digital Inputs

| | | | | | | |
|----------|----------------------------|--|---|-----|-----|---|
| V_{IH} | Digital Input High Voltage | $V_{CC} = 3.6\text{V}$ to 5.5V $V_{CC} = 2.7\text{V}$ to 3.6V | ● | 2.4 | | V |
| | | | ● | 2.0 | | V |
| V_{IL} | Digital Input Low Voltage | $V_{CC} = 4.5\text{V}$ to 5.5V $V_{CC} = 2.7\text{V}$ to 4.5V | ● | | 0.8 | V |
| | | | ● | | 0.6 | V |

26412fc

ELECTRICAL CHARACTERISTICS The ● denotes the specifications which apply over the full operating temperature range, otherwise specifications are at $T_A = 25^\circ\text{C}$. $V_{DD} = 3\text{V}$ or 5V , $V_{REF} = 2.5\text{V}$, $C_L = 10\text{pF}$, $\text{GND} = 0$, $R_L = \infty$ unless otherwise specified.

| SYMBOL | PARAMETER | CONDITIONS | MIN | TYP | MAX | UNITS |
|---------------------|---------------------------|--|-----|--------------|---------|----------------------------|
| I_{IN} | Digital Input Current | $V_{IN} = \text{GND to } V_{DD}$ | ● | | ± 1 | μA |
| C_{IN} | Digital Input Capacitance | (Note 6) | ● | 3 | 10 | pF |
| V_H | Hysteresis Voltage | | | 0.15 | | V |
| Power Supply | | | | | | |
| V_{DD} | Supply Voltage | | ● | 2.7 | 5.5 | V |
| I_{DD} | Supply Current, V_{DD} | Digital Inputs = 0V or V_{DD} | ● | 120 | 200 | μA |
| P_D | Power Dissipation | Digital Inputs = 0V or V_{DD} , $V_{DD} = 5\text{V}$ Digital Inputs = 0V or V_{DD} , $V_{DD} = 3\text{V}$ | | 0.60 0.36 | | mW mW |

TIMING CHARACTERISTICS The ● denotes the specifications which apply over the full operating temperature range, otherwise specifications are at $T_A = 25^\circ\text{C}$. $V_{DD} = 3\text{V}$ or 5V , $V_{REF} = 2.5\text{V}$, $C_L = 10\text{pF}$, $\text{GND} = 0$, $R_L = \infty$ unless otherwise specified.

| SYMBOL | PARAMETER | CONDITIONS | MIN | TYP | MAX | UNITS |
|-------------------|--|----------------|-----|-----|-----|---------------|
| t_1 | DIN Valid to SCLK Setup Time | | ● | 10 | | ns |
| t_2 | DIN Valid to SCLK Hold Time | | ● | 0 | | ns |
| t_3 | SCLK Pulse Width High | | ● | 9 | | ns |
| t_4 | SCLK Pulse Width Low | | ● | 9 | | ns |
| t_5 | $\overline{\text{CS}}$ Pulse High Width | | ● | 10 | | ns |
| t_6 | LSB SCLK High to $\overline{\text{CS}}$ High | | ● | 8 | | ns |
| t_7 | $\overline{\text{CS}}$ Low to SCLK High | | ● | 8 | | ns |
| t_8 | $\overline{\text{CS}}$ High to SCLK Positive Edge | | ● | 8 | | ns |
| t_9 | $\overline{\text{CLR}}$ Pulse Width Low | | ● | 15 | | ns |
| f_{SCLK} | SCLK Frequency | 50% Duty Cycle | ● | | 50 | MHz |
| | V_{DD} High to $\overline{\text{CS}}$ Low (Power-Up Delay) | | | 30 | | μs |

Note 1: Stresses beyond those listed under Absolute Maximum Ratings may cause permanent damage to the device. Exposure to any Absolute Maximum Rating condition for extended periods may affect device reliability and lifetime.

Note 2: Continuous operation above the specified maximum operating junction temperature may impair device reliability.

Note 3: LTC2641-16/LTC2642-16 $\pm 1\text{LSB} = \pm 0.0015\% = \pm 15.3\text{ppm}$ of full scale. LTC2641-14/LTC2642-14 $\pm 1\text{LSB} = \pm 0.006\% = \pm 61\text{ppm}$ of full scale. LTC2641-12/LTC2642-12 $\pm 1\text{LSB} = \pm 0.024\% = \pm 244\text{ppm}$ of full scale.

Note 4: R_{OUT} tolerance is typically $\pm 20\%$.

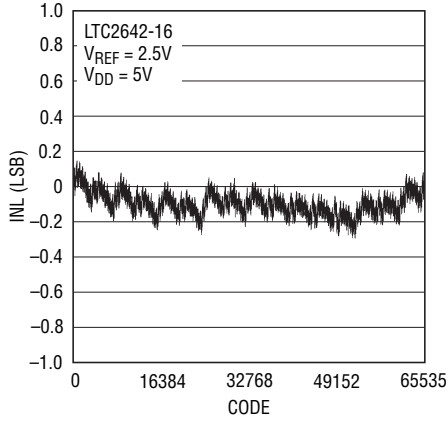
Note 5: Reference input resistance is code dependent. Minimum is at 871Chex (34,588) in unipolar mode and at 671Chex (26,396) in bipolar mode.

Note 6: Guaranteed by design and not production tested.

Note 7: Guaranteed by gain error and offset error testing, not production tested.

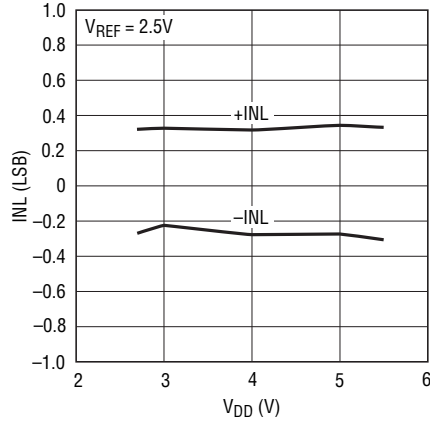
TYPICAL PERFORMANCE CHARACTERISTICS

Integral Nonlinearity (INL)



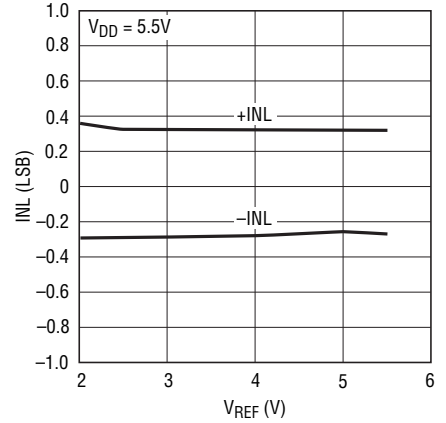
26412 G01

Integral Nonlinearity (INL) vs Supply (V_{DD})



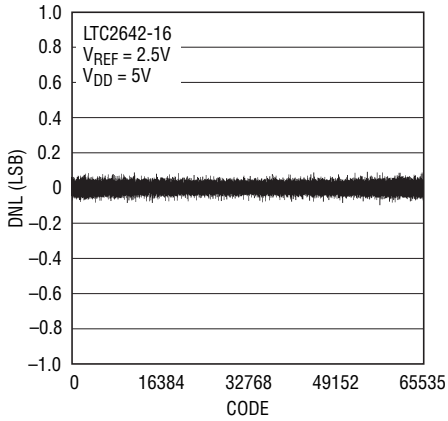
26412 G02

INL vs V_{REF}



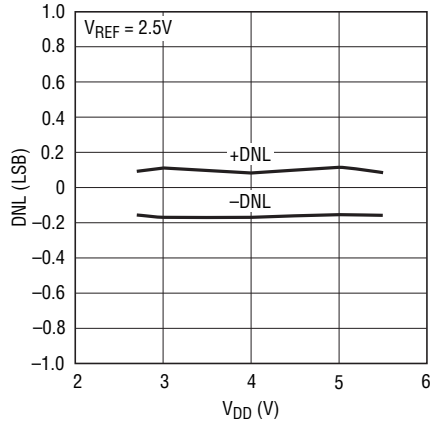
26412 G03

Differential Nonlinearity (DNL)



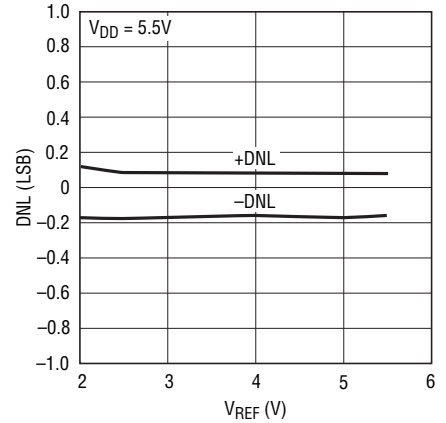
26412 G04

Differential Nonlinearity (DNL) vs Supply (V_{DD})



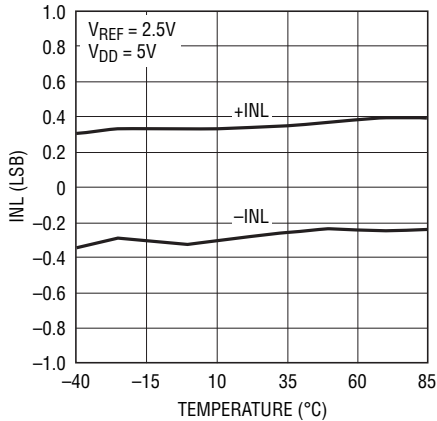
26412 G05

DNL vs V_{REF}



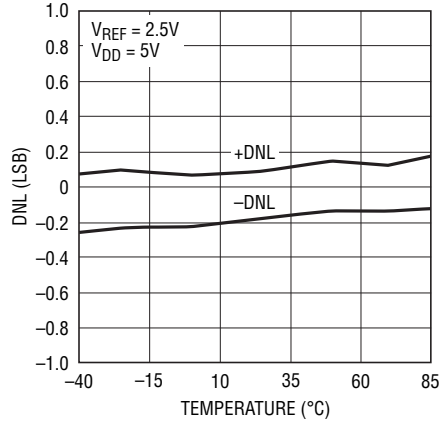
26412 G06

INL vs Temperature



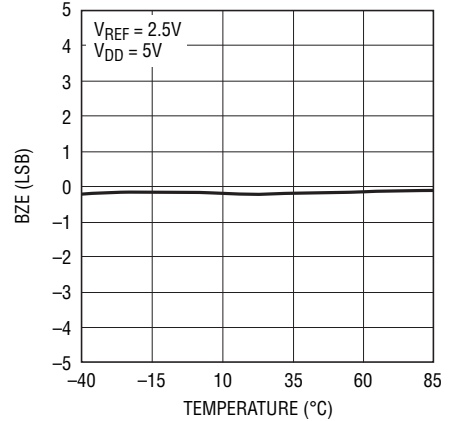
26412 G07

DNL vs Temperature



26412 G08

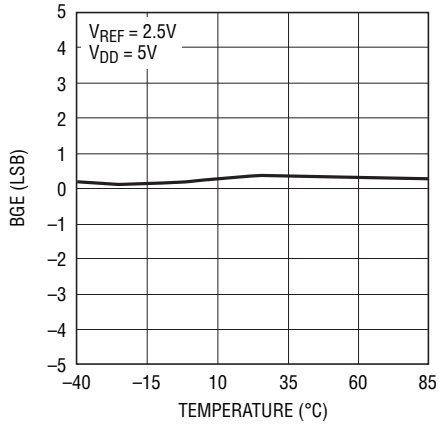
Bipolar Zero Error vs Temperature



26412 G09

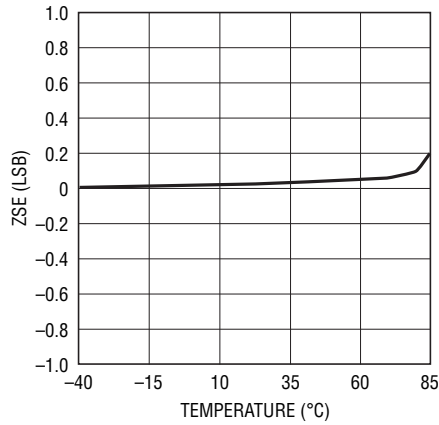
TYPICAL PERFORMANCE CHARACTERISTICS

Bipolar Gain Error vs Temperature



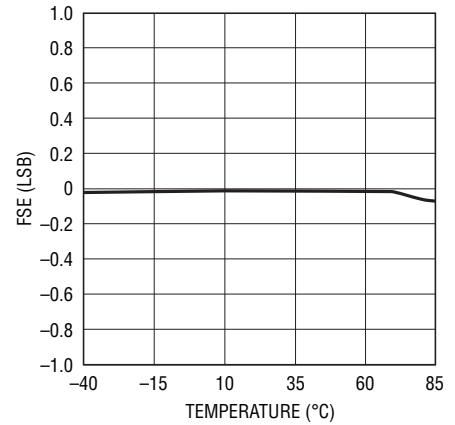
26412 G10

Unbuffered Zero Scale Error vs Temperature (LTC2641-16)



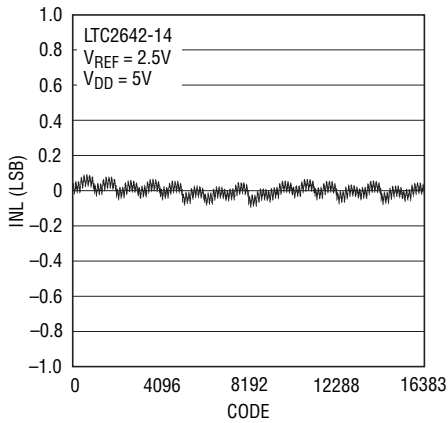
26412 G11

Unbuffered Full-Scale Error vs Temperature (LTC2641-16)



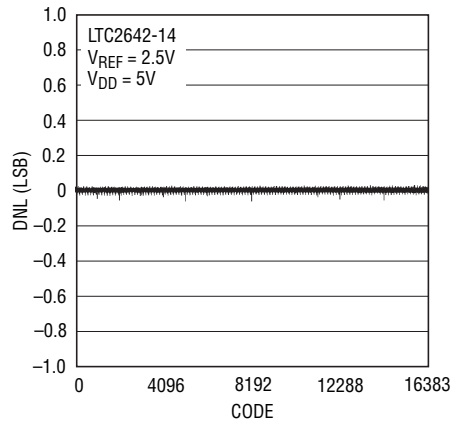
26412 G12

14-Bit Integral Nonlinearity (INL) (LTC2642-14)



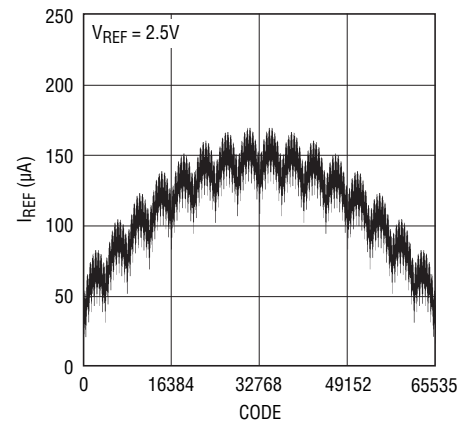
26412 G13

14-Bit Differential Nonlinearity (DNL) (LTC2642-14)



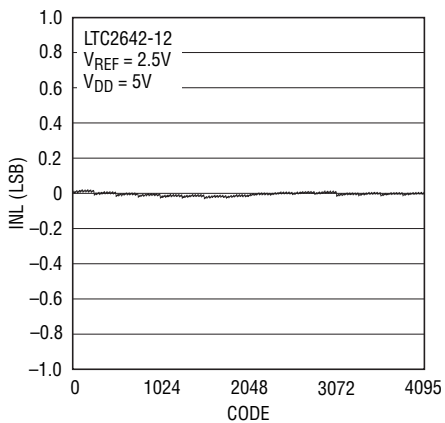
26412 G14

I_{REF} vs Code (Unipolar LTC2641)



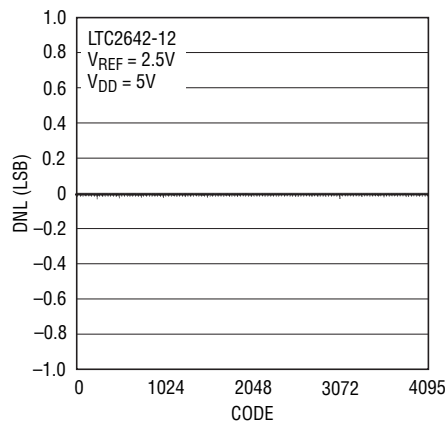
26412 G15

12-Bit Integral Nonlinearity (INL) (LTC2642-12)



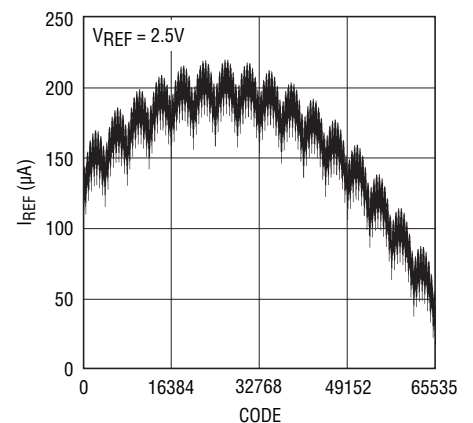
26412 G16

12-Bit Differential Nonlinearity (DNL) (LTC2642-12)



26412 G17

I_{REF} vs Code (Bipolar LTC2642)

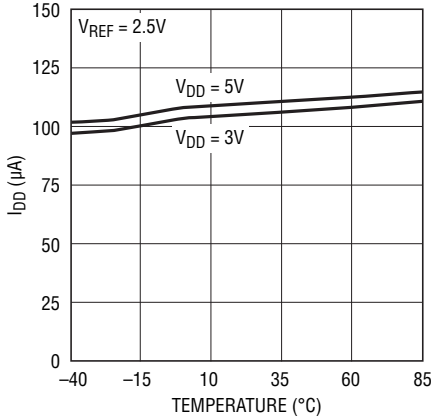


26412 G18

26412fc

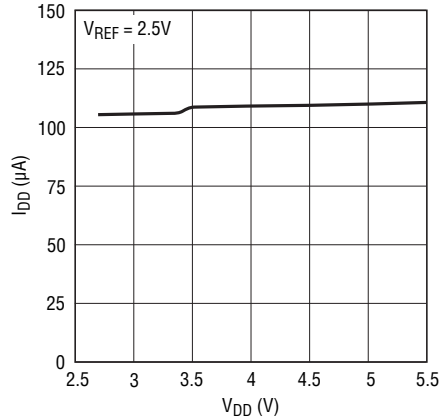
TYPICAL PERFORMANCE CHARACTERISTICS

Supply Current (I_{DD}) vs Temperature



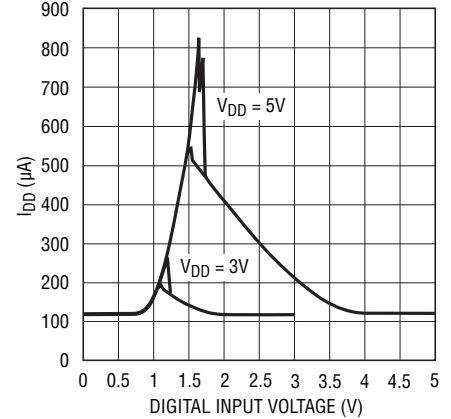
26412 G19

Supply Current (I_{DD}) vs Supply Voltage (V_{DD})



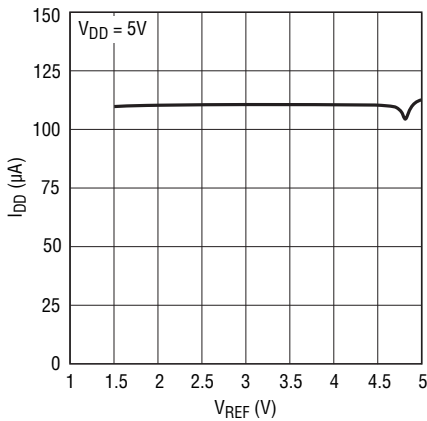
26412 G20

Supply Current (I_{DD}) vs Digital Input Voltage



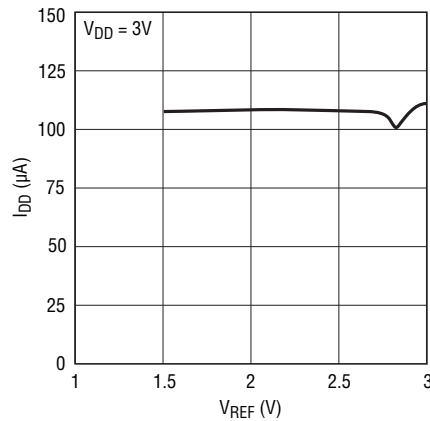
26412 G21

Supply Current (I_{DD}) vs V_{REF} , $V_{DD} = 5V$



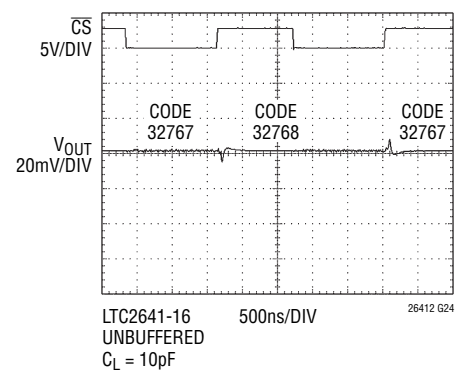
26412 G22

Supply Current (I_{DD}) vs V_{REF} , $V_{DD} = 3V$



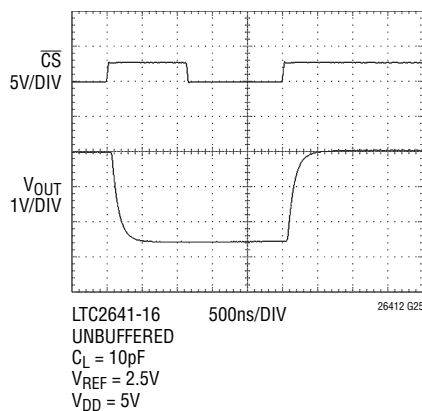
26412 G23

Midscale Glitch Impulse



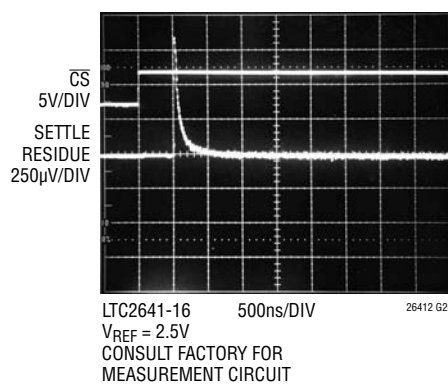
LTC2641-16
UNBUFFERED
 $C_L = 10pF$
500ns/DIV
26412 G24

Full-Scale Transition



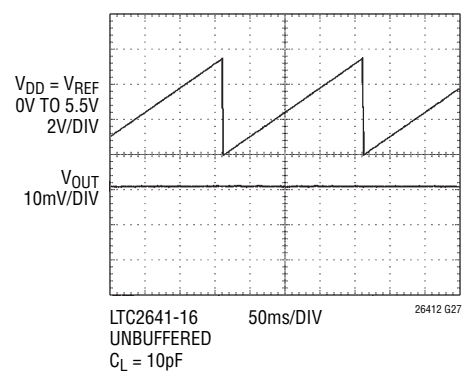
LTC2641-16
UNBUFFERED
 $C_L = 10pF$
 $V_{REF} = 2.5V$
 $V_{DD} = 5V$
500ns/DIV
26412 G25

Full-Scale Settling (Zoomed In)



LTC2641-16
 $V_{REF} = 2.5V$
CONSULT FACTORY FOR MEASUREMENT CIRCUIT
500ns/DIV
26412 G26

V_{OUT} vs $V_{DD} = 0V$ to $5.5V$ (POR Function) LTC2641



LTC2641-16
UNBUFFERED
 $C_L = 10pF$
50ms/DIV
26412 G27

PIN FUNCTIONS

LTC2641 – MSOP, DFN Packages

REF (Pin 1): Reference Voltage Input. Apply an external reference at REF between 2V and V_{DD} .

\overline{CS} (Pin 2): Serial Interface Chip Select/Load Input. When \overline{CS} is low, SCLK is enabled for shifting in data on DIN. When \overline{CS} is taken high, SCLK is disabled, the 16-bit input word is latched and the DAC is updated.

SCLK (Pin 3): Serial Interface Clock Input. CMOS and TTL compatible.

DIN (Pin 4): Serial Interface Data Input. Data is applied to DIN for transfer to the device at the rising edge of SCLK.

\overline{CLR} (Pin 5): Asynchronous Clear Input. A logic low clears the DAC to code 0.

V_{OUT} (Pin 6): DAC Output Voltage. The output range is 0V to V_{REF} .

V_{DD} (Pin 7): Supply Voltage. Set between 2.7V and 5.5V.

GND (Pin 8): Circuit Ground.

Exposed Pad (DFN Pin 9): Circuit Ground. Must be soldered to PCB ground.

LTC2641 – SO Package OBSOLETE

V_{OUT} (Pin 1): DAC Output Voltage. The output range is 0V to V_{REF} .

GND (Pin 2): Circuit Ground.

REF (Pin 3): Reference Voltage Input. Apply an external reference at REF between 2V and V_{DD} .

\overline{CS} (Pin 4): Serial Interface Chip Select/Load Input. When \overline{CS} is low, SCLK is enabled for shifting in data on DIN. When \overline{CS} is taken high, SCLK is disabled, the 16-bit input word is latched and the DAC is updated.

SCLK (Pin 5): Serial Interface Clock Input. CMOS and TTL compatible.

DIN (Pin 6): Serial Interface Data Input. Data is applied to DIN for transfer to the device at the rising edge of SCLK.

GND (Pin 7): Circuit Ground Pin. Must be connected to Pin 2 (GND).

V_{DD} (Pin 8): Supply Voltage. Set between 2.7V and 5.5V.

LTC2642 – MSOP, DFN Packages

REF (Pin 1): Reference Voltage Input. Apply an external reference at REF between 2V and V_{DD} .

\overline{CS} (Pin 2): Serial Interface Chip Select/Load Input. When \overline{CS} is low, SCLK is enabled for shifting in data on DIN. When \overline{CS} is taken high, SCLK is disabled, the 16-bit input word is latched and the DAC is updated.

SCLK (Pin 3): Serial Interface Clock Input. CMOS and TTL compatible.

DIN (Pin 4): Serial Interface Data Input. Data is applied to DIN for transfer to the device at the rising edge of SCLK.

\overline{CLR} (Pin 5): Asynchronous Clear Input. A logic low clears the DAC to midscale.

V_{OUT} (Pin 6): DAC Output Voltage. The output range is 0V to V_{REF} .

INV (Pin 7): Center Tap of Internal Scaling Resistors. Connect to an external amplifier's inverting input in bipolar mode.

R_{FB} (Pin 8): Feedback Resistor. Connect to an external amplifier's output in bipolar mode. The bipolar output range is $-V_{REF}$ to V_{REF} .

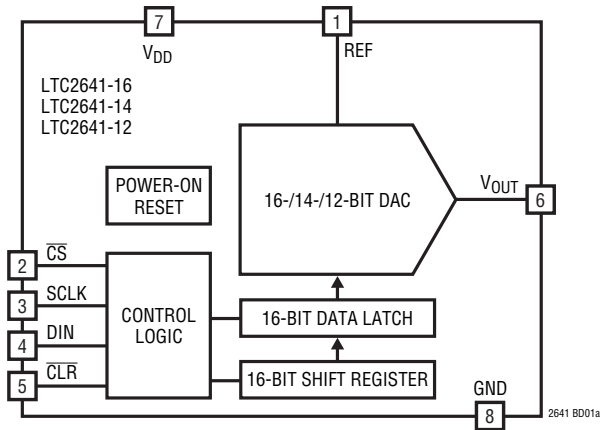
V_{DD} (Pin 9): Supply Voltage. Set between 2.7V and 5.5V.

GND (Pin 10): Circuit Ground.

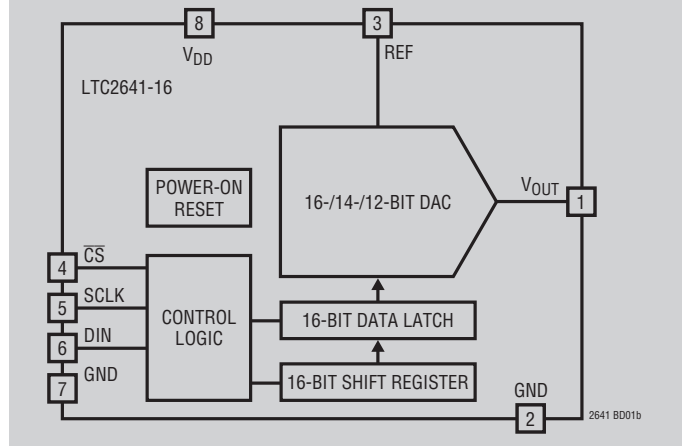
Exposed Pad (DFN Pin 11): Circuit Ground. Must be soldered to PCB ground.

BLOCK DIAGRAMS

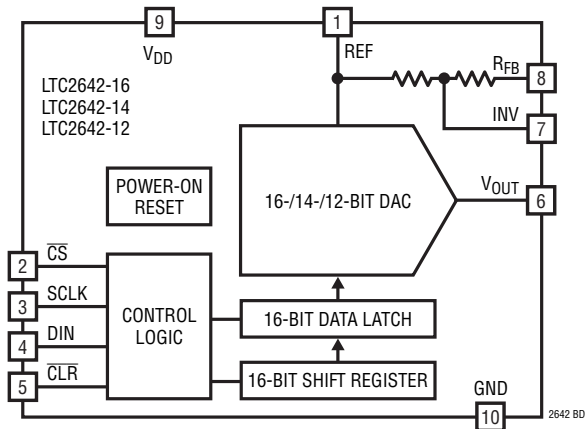
LTC2641 - MSOP, DFN



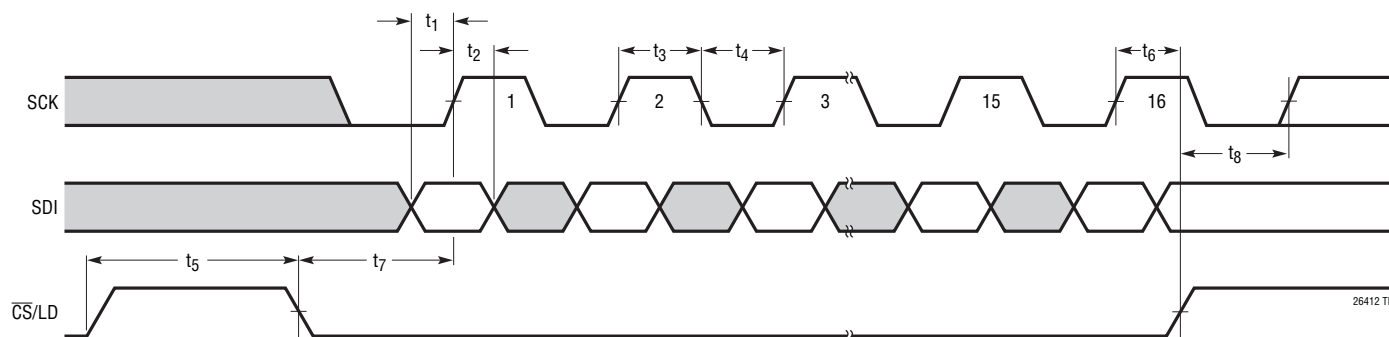
LTC2641 - SO
OBSOLETE PACKAGE



LTC2642



TIMING DIAGRAM



OPERATION

General Description

The LTC2641/LTC2642 family of 16-/14-/12-bit voltage output DACs offer full 16-bit performance with less than ± 1 LSB integral linearity error and less than ± 1 LSB differential linearity error, guaranteeing monotonic operation. They operate from a single supply ranging from 2.7V to 5.5V, consuming 120 μ A (typical). An external voltage reference of 2V to V_{DD} determines the DAC's full-scale output voltage. A 3-wire serial interface allows the LTC2641/LTC2642 to fit into a small 8-/10-pin MSOP or DFN 3mm \times 3mm package.

Digital-to-Analog Architecture

The DAC architecture is a voltage switching mode resistor ladder using precision thin-film resistors and CMOS switches. The LTC2641/LTC2642 DAC resistor ladders are composed of a proprietary arrangement of matched DAC sections. The four MSBs are decoded to drive 15 equally weighted segments, and the remaining lower bits drive successively lower weighted sections. Major carry glitch impulse is very low at 500pV \cdot sec, $C_L = 10$ pF, ten times lower than previous DACs of this type.

The digital-to-analog transfer function at the V_{OUT} pin is:

$$V_{OUT(IDEAL)} = \left(\frac{k}{2^N} \right) V_{REF}$$

where k is the decimal equivalent of the binary DAC input code, N is the resolution, and V_{REF} is between 2.0V and V_{DD} (see Tables 1a, 1b and 1c).

The LTC2642 includes matched resistors that are tied to an external amplifier to provide bipolar output swing (Figure 2). The bipolar transfer function at the RFB pin is:

$$V_{OUT_BIPOLAR(IDEAL)} = V_{REF} \left(\frac{k}{2^{N-1}} - 1 \right)$$

(see Tables 2a, 2b and 2c).

Serial Interface

The LTC2641/LTC2642 communicates via a standard 3-wire SPI/QSPI/MICROWIRE compatible interface. The chip select input (\overline{CS}) controls and frames the loading of serial data from the data input (DIN). Following a \overline{CS}

OPERATION

high-to-low transition, the data on DIN is loaded, MSB first, into the shift register on each rising edge of the serial clock input (SCLK). After 16 data bits have been loaded into the serial input register, a low-to-high transition on \overline{CS} transfers the data to the 16-bit DAC latch, updating the DAC output (see Figures 1a, 1b, 1c). While \overline{CS} remains high, the serial input shift register is disabled. If there are less than 16 low-to-high transitions on SCLK while \overline{CS} remains low, the data will be corrupted, and must be reloaded. Also, if there are more than 16 low-to-high transitions on SCLK while \overline{CS} remains low, only the last 16 data bits loaded from DIN will be transferred to the DAC latch. For the 14-bit DACs, (LTC2641-14/LTC2642-14), the MSB remains in the same (left-justified) position in the input 16-bit data word. Therefore, two “don’t-care” bits must be loaded after the LSB, to make up the required 16 data bits (Figure 1b). Similarly, for the 12-bit family members

(LTC2641-12/LTC2642-12) four “don’t-care” bits must follow the LSB (Figure 1c).

Power-On Reset

The LTC2641/LTC2642 include a power-on reset circuit to ensure that the DAC output comes up in a known state. When V_{DD} is first applied, the power-on reset circuit sets the output of the LTC2641 to zero-scale (code 0). The LTC2642 powers up to midscale (bipolar zero). Depending on the DAC number of bits, the midscale code is: 32,768 (LTC2642-16); 8,192 (LTC2642-14); or 2,048 (LTC2642-12).

Clearing the DAC

A 10ns (minimum) low pulse on the \overline{CLR} pin asynchronously clears the DAC latch to code zero (LTC2641) or to midscale (LTC2642).

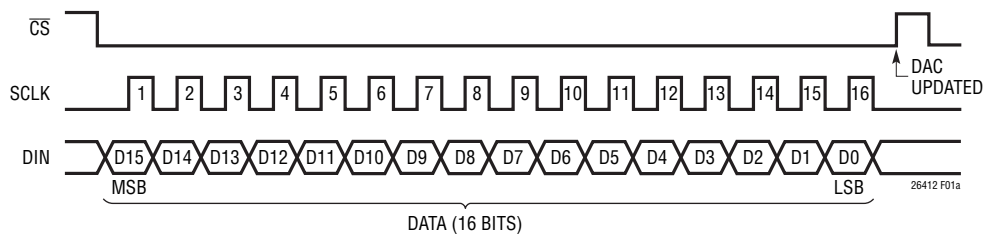


Figure 1a. 16-Bit Timing Diagram (LTC2641-16/LTC2642-16)

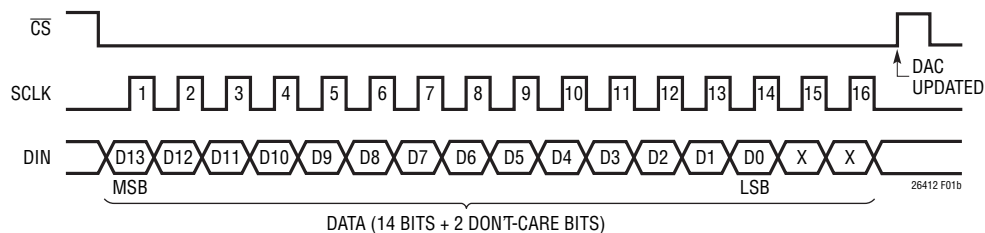


Figure 1b. 14-Bit Timing Diagram (LTC2641-14/LTC2642-14)

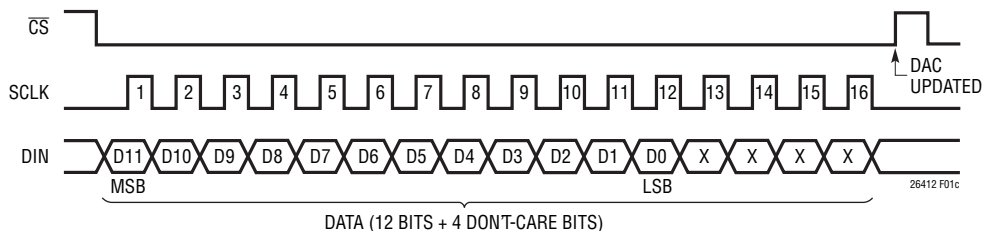


Figure 1c. 12-Bit Timing Diagram (LTC2641-12/LTC2642-12)

APPLICATIONS INFORMATION

Unipolar Configuration

Figure 2 shows a typical unipolar DAC application for the LTC2641. Tables 1a, 1b and 1c show the unipolar binary code tables for 16-bit, 14-bit and 12-bit operation.

The external amplifier provides a unity-gain buffer. The LTC2642 can also be used in unipolar configuration by tying R_{FB} and INV to REF . This provides power-up and clear to midscale.

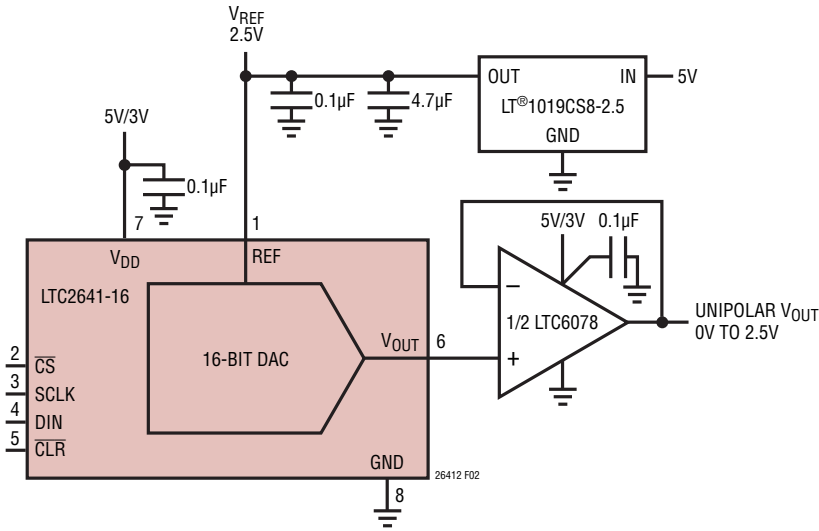


Table 1a. 16-Bit Unipolar Binary Code Table (LTC2641-16)

| DIGITAL INPUT BINARY NUMBER IN DAC LATCH | | ANALOG OUTPUT (V_{OUT}) |
|--|-----|---|
| MSB | LSB | |
| 1111 1111 1111 1111 | | V_{REF} (65,535/65,536) |
| 1000 0000 0000 0000 | | V_{REF} (32,768/65,536) = $V_{REF}/2$ |
| 0000 0000 0000 0001 | | V_{REF} (1/65,536) |
| 0000 0000 0000 0000 | | 0V |

Figure 2. 16-Bit Unipolar Output (LTC2641-16) Unipolar V_{OUT} = 0V to V_{REF}

Table 1b. 14-Bit Unipolar Binary Code Table (LTC2641-14)

| DIGITAL INPUT BINARY NUMBER IN DAC LATCH | | ANALOG OUTPUT (V_{OUT}) |
|--|-----|--|
| MSB | LSB | |
| 1111 1111 1111 11xx | | V_{REF} (16,383/16,384) |
| 1000 0000 0000 00xx | | V_{REF} (8,192/16,384) = $V_{REF}/2$ |
| 0000 0000 0000 01xx | | V_{REF} (1/16,384) |
| 0000 0000 0000 00xx | | 0V |

Table 1c. 12-Bit Unipolar Binary Code Table (LTC2641-12)

| DIGITAL INPUT BINARY NUMBER IN DAC LATCH | | ANALOG OUTPUT (V_{OUT}) |
|--|-----|---------------------------------------|
| MSB | LSB | |
| 1111 1111 1111 xxxx | | V_{REF} (4,095/4,096) |
| 1000 0000 0000 xxxx | | V_{REF} (2,048/4,096) = $V_{REF}/2$ |
| 0000 0000 0001 xxxx | | V_{REF} (1/4,096) |
| 0000 0000 0000 xxxx | | 0V |

APPLICATIONS INFORMATION

Bipolar Configuration

Figure 3 shows a typical bipolar DAC application for the LTC2642. The on-chip bipolar offset/gain resistors, R_{FB} and R_{INV} , are connected to an external amplifier to produce a bipolar output swing from $-V_{REF}$ to V_{REF} at the R_{FB} pin.

The amplifier circuit provides a gain of +2 from the V_{OUT} pin, and gain of -1 from V_{REF} . Tables 2a, 2b and 2c show the bipolar offset binary code tables for 16-bit, 14-bit and 12-bit operation.

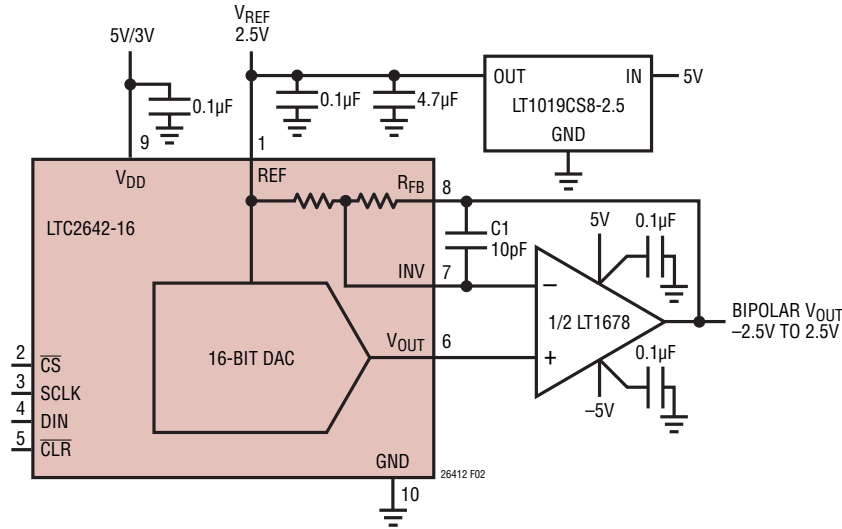


Figure 3. 16-Bit Bipolar Output (LTC2642-16) $V_{OUT} = -V_{REF}$ to V_{REF}

Table 2a. 16-Bit Bipolar Offset Binary Code Table (LTC2642-16)

| DIGITAL INPUT BINARY NUMBER IN DAC LATCH | | ANALOG OUTPUT (V_{OUT}) |
|--|-----|-----------------------------|
| MSB | LSB | |
| 1111 1111 1111 1111 | | V_{REF} (32,767/32,768) |
| 1000 0000 0000 0001 | | V_{REF} (1/32,768) |
| 1000 0000 0000 0000 | | 0V |
| 0111 1111 1111 1111 | | $-V_{REF}$ (1/32,768) |
| 0000 0000 0000 0000 | | $-V_{REF}$ |

Table 2b. 14-Bit Bipolar Offset Binary Code Table (LTC2642-14)

| DIGITAL INPUT BINARY NUMBER IN DAC LATCH | | ANALOG OUTPUT (V_{OUT}) |
|--|-----|-----------------------------|
| MSB | LSB | |
| 1111 1111 1111 11xx | | V_{REF} (8,191/8,192) |
| 1000 0000 0000 01xx | | V_{REF} (1/8,192) |
| 1000 0000 0000 00xx | | 0V |
| 0111 1111 1111 11xx | | $-V_{REF}$ (1/8,192) |
| 0000 0000 0000 00xx | | $-V_{REF}$ |

Table 2c. 12-Bit Bipolar Offset Binary Code Table (LTC2642-12)

| DIGITAL INPUT BINARY NUMBER IN DAC LATCH | | ANALOG OUTPUT (V_{OUT}) |
|--|-----|-----------------------------|
| MSB | LSB | |
| 1111 1111 1111 xxxx | | V_{REF} (2,047/2,048) |
| 1000 0000 0001 xxxx | | V_{REF} (1/2,048) |
| 1000 0000 0000 xxxx | | 0V |
| 0111 1111 1111 xxxx | | $-V_{REF}$ (1/2048) |
| 0000 0000 0000 xxxx | | $-V_{REF}$ |

APPLICATIONS INFORMATION

Unbuffered Operation and V_{OUT} Loading

The DAC output is available directly at the V_{OUT} pin, which swings from GND to V_{REF} . Unbuffered operation provides the lowest possible offset, full-scale and linearity errors, the fastest settling time and minimum power consumption.

However, unbuffered operation requires that appropriate loading be maintained on the V_{OUT} pin. The LTC2641/LTC2642 V_{OUT} can be modeled as an ideal voltage source in series with a source resistance of R_{OUT} , typically 6.2k (Figure 4). The DAC's linear output impedance allows it to drive medium loads ($R_L > 60k$) without degrading INL or DNL; only the gain error is increased. The gain error (GE) caused by a load resistance, R_L , (relative to full scale) is:

$$GE = \frac{-1}{1 + \left(\frac{R_{OUT}}{R_L}\right)}$$

In 16-bit LSBs:

$$GE = \frac{-65536}{1 + \left(\frac{R_{OUT}}{R_L}\right)} [\text{LSB}]$$

R_{OUT} has a low tempco (typically $< \pm 50\text{ppm}/^\circ\text{C}$), and is independent of DAC code. The variation of R_{OUT} , part-to-part, is typically less than $\pm 20\%$.

Note on LSB units:

For the following error descriptions, "LSB" means 16-bit LSB and 65,536 is rounded to 66k.

To convert to 14-bit LSBs (LTC2641-14/LTC2642-14) divide by 4.

To convert to 12-bit LSBs (LTC2641-12/LTC2642-12) divide by 16.

A constant current, I_L , loading V_{OUT} will produce an offset of:

$$V_{\text{OFFSET}} = -I_L \cdot R_{OUT}$$

For $V_{REF} = 2.5\text{V}$, a 16-bit LSB equals $2.5\text{V}/65,536$, or $38\mu\text{V}$. Since R_{OUT} is 6.2k, an I_L of 6nA produces an offset of 1LSB. Therefore, to avoid degrading DAC performance,

it is critical to protect the V_{OUT} pin from any sources of leakage current.

Unbuffered V_{OUT} Settling Time

The settling time at the V_{OUT} pin can be closely approximated by a single-pole response where:

$$\tau = R_{OUT} \cdot (C_{OUT} + C_L)$$

(Figure 4). Settling to 1/2LSB at 16-bits requires about 12 time constants ($\ln(2 \cdot 65,536)$). The typical settling time of $1\mu\text{s}$ corresponds to a time constant of 83ns, and a total ($C_{OUT} + C_L$) of about $83\text{ns}/6.2\text{k} = 13\text{pF}$. The internal capacitance, C_{OUT} is typically 10pF, so an external C_L of 3pF corresponds to $1\mu\text{s}$ settling to 1/2LSB.

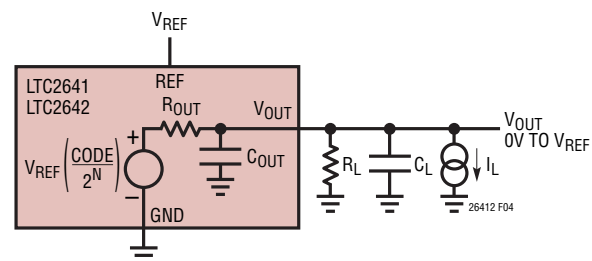


Figure 4. V_{OUT} Pin Equivalent Circuit

Op Amp Selection

The optimal choice for an external buffer op amp depends on whether the DAC is used in the unipolar or bipolar mode of operation, and also depends on the accuracy, speed, power dissipation and board area requirements of the application. The LTC2641/LTC2642's combination of tiny package size, rail-to-rail single supply operation, low power dissipation, fast settling and nearly ideal accuracy specifications makes it impractical for one op amp type to fit every application.

In bipolar mode (LTC2642 only), the amplifier operates with the internal resistors to provide bipolar offset and scaling. In this case, a precision amplifier operating from dual power supplies, such as the LT1678 provides the $\pm V_{REF}$ output range (Figure 3).

In unipolar mode, the output amplifier operates as a unity gain voltage follower. For unipolar, single supply applications a precision, rail-to-rail input, single supply op amp

APPLICATIONS INFORMATION

such as the LTC6078 is suitable, if the application does not require linear operation very near to GND, or zero scale (Figure 2). The LTC6078 typically swings to within 1mV of GND if it is not required to sink any load current. For an LSB size of 38 μ V, 1mV represents 26 missing codes near zero scale. Linearity will be degraded over a somewhat larger range of codes above GND. It is also unavoidable that settling time and transient performance will degrade whenever a single supply amplifier is operated very close to GND, or to the positive supply rail.

The small LSB size of a 16-bit DAC, coupled with the tight accuracy specifications on the LTC2641/LTC2642, means that the accuracy and input specifications for the external op amp are critical for overall DAC performance.

Op Amp Specifications and Unipolar DAC Accuracy

Most op amp accuracy specifications convert easily to DAC accuracy.

Op amp input bias current on the noninverting (+) input is equivalent to an I_L loading the DAC V_{OUT} pin and therefore produces a DAC zero-scale error (ZSE) (see Unbuffered Operation):

$$ZSE = -I_B(IN+) \cdot R_{OUT} \text{ [Volts]}$$

In 16-bit LSBs:

$$ZSE = -I_B(IN+) \cdot 6.2k \cdot \left(\frac{66k}{V_{REF}}\right) \text{ [LSB]}$$

Op amp input impedance, R_{IN} , is equivalent to an R_L loading the LTC2641/LTC2642 V_{OUT} pin, and produces a gain error of:

$$GE = \frac{-66k}{1 + \left(\frac{6.2k}{R_{IN}}\right)} \text{ [LSB]}$$

Op amp offset voltage, V_{OS} , corresponds directly to DAC zero code offset error, ZSE:

$$ZSE = V_{OS} \cdot \frac{66k}{V_{REF}} \text{ [LSB]}$$

Temperature effects also must be considered. Over the -40°C to 85°C industrial temperature range, an offset

voltage temperature coefficient (referenced to 25°C) of $0.6\mu\text{V}/^\circ\text{C}$ will add 1LSB of zero-scale error. Also, I_{BIAS} and the V_{OFFSET} error it causes, will typically show significant relative variation over temperature.

Op amp open-loop gain, A_{VOL} , contributes to DAC gain error (GE):

$$GE = \frac{66k}{A_{VOL}} \text{ [LSB]}$$

Op amp input common mode rejection ratio (CMRR) is an input-referred error that corresponds to a combination of gain error (GE) and INL, depending on the op amp architecture and operating conditions. A conservative estimate of total CMRR error is:

$$\text{Error} = \left(10^{\left(\frac{CMRR}{20}\right)}\right) \cdot \left(\frac{V_{CMRR_RANGE}}{V_{REF}}\right) \cdot 66k \text{ [LSB]}$$

where V_{CMRR_RANGE} is the voltage range that CMRR (in dB) is specified over. Op amp Typical Performance Characteristics graphs are useful to predict the impact of CMRR errors on DAC performance. Typically, a precision op amp will exhibit a fairly linear CMRR behavior (corresponding to DAC gain error only) over most of the common mode input range (CMR), and become nonlinear and produce significant errors near the edge of the CMR.

Rail-to-rail input op amps are a special case, because they have 2 distinct input stages, one with CMR to GND and the other with CMR to V^+ . This results in a "crossover" CM input region where operation switches between the two input stages.

The LTC6078 rail-to-rail input op amp typically exhibits remarkably low crossover linearity error, as shown in the V_{OS} vs V_{CM} Typical Performance Characteristics graphs (see the LTC6078 data sheet). Crossover occurs at CM inputs about 1V below V^+ , and an LTC6078 operating as a unipolar DAC buffer with $V_{REF} = 2.5\text{V}$ and $V^+ = 5\text{V}$ will typically add only about 1LSB of GE and almost no INL error due to CMRR. Even in a full rail-to-rail application, with $V_{REF} = V^+ = 5\text{V}$, a typical LTC6078 will add only about 1LSB of INL at 16-bits.

APPLICATIONS INFORMATION

Op Amp Specifications and Bipolar DAC Accuracy

The op amp contributions to unipolar DAC error discussed above apply equally to bipolar operation. The bipolar application circuit gains up the DAC span, and all errors, by a factor of 2. Since the LSB size also doubles, the errors in LSBs are identical in unipolar and bipolar modes.

One added error in bipolar mode comes from I_B (IN^-), which flows through R_{FB} to generate an offset. The full bias current offset error becomes:

$$V_{\text{OFFSET}} = (I_B (IN^-) \cdot R_{FB} - I_B (IN^+) \cdot R_{OUT} \cdot 2) \text{ [Volts]}$$

So:

$$V_{\text{OFFSET}} = (I_B (IN^-) \cdot 28k - I_B (IN^+) \cdot 12.4k) \cdot \frac{33k}{V_{REF}} \text{ [LSB]}$$

Settling Time with Op Amp Buffer

When using an external op amp, the output settling time will still include the single pole settling on the LTC2641/LTC2642 V_{OUT} node, with time constant $R_{OUT} \cdot (C_{OUT} + C_L)$ (see Unbuffered V_{OUT} Settling Time). C_L will include the buffer input capacitance and PC board interconnect capacitance.

The external buffer amplifier adds another pole to the output response, with a time constant equal to $(f_{\text{bandwidth}}/2\pi)$. For example, assume that C_L is maintained at the same value as above, so that the V_{OUT} node time constant is $83\text{ns} = 1\mu\text{s}/12$. The output amplifier pole will also have a time constant of 83ns if the closed-loop bandwidth equals $(1/2\pi \cdot 83\text{ns}) = 1.9\text{MHz}$. The effective time constant of two cascaded single-pole sections is approximately the root square sum of the individual time constants, or $\sqrt{2} \cdot 83\text{ns} = 117\text{ns}$, and $1/2$ LSB settling time will be $\sim 12 \cdot 117\text{ns} = 1.4\mu\text{s}$. This represents an ideal case, with no slew limiting and ideal op amp phase margin. In practice, it will take a considerably faster amplifier, as well as careful attention to maintaining good phase margin, to approach the unbuffered settling time of $1\mu\text{s}$.

The output settling time for bipolar applications (Figure 3) will be somewhat increased due to the feedback resistor network R_{FB} and R_{INV} (each $28k$ nominal). The parasitic capacitance, C_P , on the op amp ($-$) input node will introduce a feedback loop pole with a time constant of $(C_P \cdot 28k/2)$.

A small feedback capacitor, C_1 , should be included, to introduce a zero that will partially cancel this pole. C_1 should nominally be $< C_P$, typically in the range of 5pF to 10pF . This will restore the phase margin and improve coarse settling time, but a pole-zero doublet will unavoidably leave a slower settling tail, with a time constant of roughly $(C_P + C_1) \cdot 28k/2$, which will limit 16-bit settling time to be greater than $2\mu\text{s}$.

Reference and GND Input

The LTC2641/LTC2642 operates with external voltage references from $2V$ to V_{DD} , and linearity, offset and gain errors are virtually unchanged vs V_{REF} . Full 16-bit performance can be maintained if appropriate guidelines are followed when selecting and applying the reference. The LTC2641/LTC2642's very low gain error tempco of $0.1\text{ppm}/^\circ\text{C}$, typical, corresponds to less than 0.5LSB variation over the -40°C to 85°C temperature range. In practice, this means that the overall gain error tempco will be determined almost entirely by the external reference tempco.

The DAC voltage-switching mode "inverted" resistor ladder architecture used in the LTC2641/LTC2642 exhibits a reference input resistance (R_{REF}) that is code dependent (see the Typical Performance curves I_{REF} vs Input Code).

In unipolar mode, the minimum R_{REF} is $14.8k$ (at code 871Chex , $34,588$ decimal) and the the maximum R_{REF} is $300k$ at code 0000hex (zero scale). The maximum change in I_{REF} for a $2.5V$ reference is $160\mu\text{A}$. Since the maximum occurs near midscale, the INL error is about one half of the change on V_{REF} , so maintaining an INL error of $< 0.1\text{LSB}$ requires a reference load regulation of $(1.53\text{ppm} \cdot 2/160\mu\text{A}) = 19 \text{ [ppm/mA]}$. This implies a reference output impedance of $48\text{m}\Omega$, including series wiring resistance.

To prevent output glitches from occurring when resistor ladder branches switch from GND to V_{REF} , the reference input must maintain low impedance at higher frequencies. A $0.1\mu\text{F}$ ceramic capacitor with short leads between REF and GND provides high frequency bypassing. A surface mount ceramic chip capacitor is preferred because it has the lowest inductance. An additional $1\mu\text{F}$ between REF and GND provides low frequency bypassing. The circuit will benefit from even higher bypass capacitance, as long

26412fc

APPLICATIONS INFORMATION

as the external reference remains stable with the added capacitive loading.

Digital Inputs and Interface Logic

All of the digital inputs include Schmitt-trigger buffers to accept slow transition interfaces. This means that optocouplers can interface directly to the LTC2641/LTC2642 without additional external logic. Digital input hysteresis is typically 150mV.

The digital inputs are compatible with TTL/CMOS-logic levels. However, rail-to-rail (CMOS) logic swings are preferred, because operating the logic inputs away from the supply rails generates additional I_{DD} and GND current, (see Typical Performance Characteristic graph Supply Current vs Logic Input Voltage).

Digital feedthrough is only 0.2nV•s typical, but it is always preferred to keep all logic inputs static except when loading a new code into the DAC.

Board Layout for Precision

Even a small amount of board leakage can degrade accuracy. The 6nA leakage current into V_{OUT} needed to generate 1LSB offset error corresponds to 833M Ω leakage resistance from a 5V supply.

The V_{OUT} node is relatively sensitive to capacitive noise coupling, so minimum trace length, appropriate shielding and clean board layout are imperative here.

Temperature differences at the DAC, op amp or reference pins can easily generate tens of microvolts of thermocouple voltages. Analog signal traces should be short, close together and away from heat dissipating components. Air currents across the board can also generate thermocouples.

The PC board should have separate areas for the analog and digital sections of the circuit. A single, solid ground plane

should be used, with analog and digital signals carefully routed over separate areas of the plane. This keeps digital signals away from sensitive analog signals and minimizes the interaction between digital ground currents and the analog section of the ground plane.

A “star ground” area should be established by attaching the LTC2641/LTC2642 GND pin, V_{REF} GND and the DAC V_{OUT} GND reference terminal to the same area on the GND plane. Care should be taken to ensure that no large GND return current paths flow through the “star GND” area. In particular, the resistance from the LTC2641 GND pin to the point where the V_{REF} input source connects to the ground plane should be as low as possible. Excessive resistance here will be multiplied by the code dependent I_{REF} current to produce an INL error similar to the error produced by V_{REF} source resistance. For the LTC2641 in the S8 package both GND pins, Pin 2 and Pin 7 should be tied to the same GND plane.

Sources of ground return current in the analog area include op amp power supply bypass capacitors and the GND connection for single supply amps. A useful technique for minimizing errors is to use a separate board layer for power ground return connections, and reserve one ground plane layer for low current “signal” GND connections. The “signal”, or “star” GND plane must be connected to the “power” GND plane at a single point, which should be located near the LTC2641/LTC2642 GND pin.

If separate analog and digital ground areas exist it is necessary to connect them at a single location, which should be fairly close to the DAC for digital signal integrity. In some systems, large GND return currents can flow between the digital and analog GNDs, especially if different PC boards are involved. In such cases the digital and analog ground connection point should not be made right at the “star” GND area, so the highly sensitive analog signals are not corrupted. If forced to choose, always place analog ground quality ahead of digital signal ground. (A few mV of noise

APPLICATIONS INFORMATION

on the digital inputs is imperceptible, thanks to the digital input hysteresis)

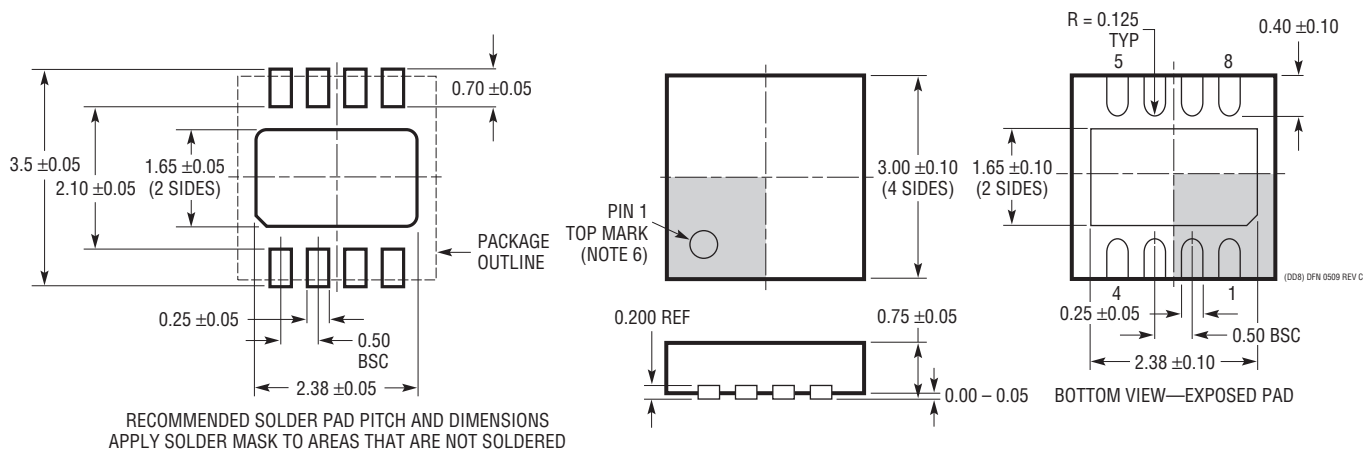
Just by maintaining separate areas on the GND plane where analog and digital return currents naturally flow, good results are generally achieved. Only after this has been done, it is sometimes useful to interrupt the ground plane with strategically placed “slots”, to prevent the digital ground currents from fringing into the analog portion of the plane. When doing this, the gap in the plane should be only as long as it needs to be to serve its purpose.

Caution: if a GND plane gap is improperly placed, so that it interrupts a significant GND return path, or if a signal traces crosses over the gap, then adding the gap may greatly degrade performance! In this case, the GND and signal return currents are forced to flow the long way around the gap, and then are typically channeled directly into the most sensitive area of the analog GND plane.

PACKAGE DESCRIPTION

Please refer to <http://www.linear.com/designtools/packaging/> for the most recent package drawings.

DD Package
8-Lead Plastic DFN (3mm × 3mm)
 (Reference LTC DWG # 05-08-1698 Rev C)



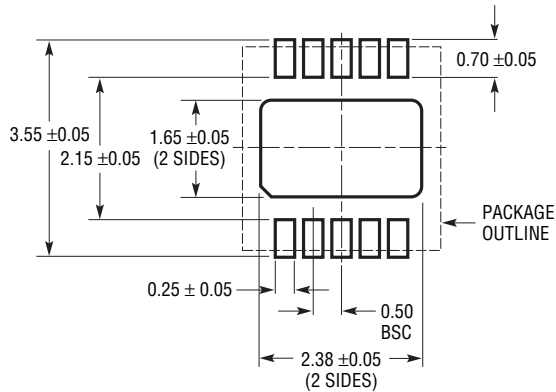
NOTE:

1. DRAWING TO BE MADE A JEDEC PACKAGE OUTLINE M0-229 VARIATION OF (WEED-1)
2. DRAWING NOT TO SCALE
3. ALL DIMENSIONS ARE IN MILLIMETERS
4. DIMENSIONS OF EXPOSED PAD ON BOTTOM OF PACKAGE DO NOT INCLUDE MOLD FLASH. MOLD FLASH, IF PRESENT, SHALL NOT EXCEED 0.15mm ON ANY SIDE
5. EXPOSED PAD SHALL BE SOLDER PLATED
6. SHADED AREA IS ONLY A REFERENCE FOR PIN 1 LOCATION ON TOP AND BOTTOM OF PACKAGE

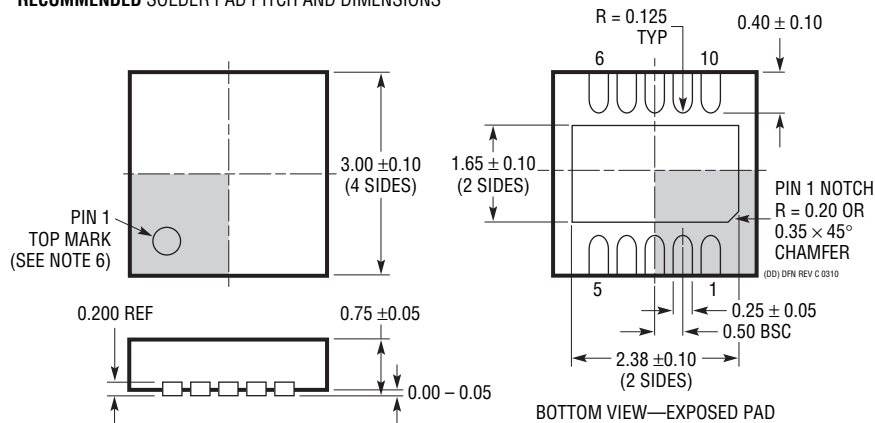
PACKAGE DESCRIPTION

Please refer to <http://www.linear.com/designtools/packaging/> for the most recent package drawings.

DD Package 10-Lead Plastic DFN (3mm × 3mm) (Reference LTC DWG # 05-08-1699 Rev C)



RECOMMENDED SOLDER PAD PITCH AND DIMENSIONS



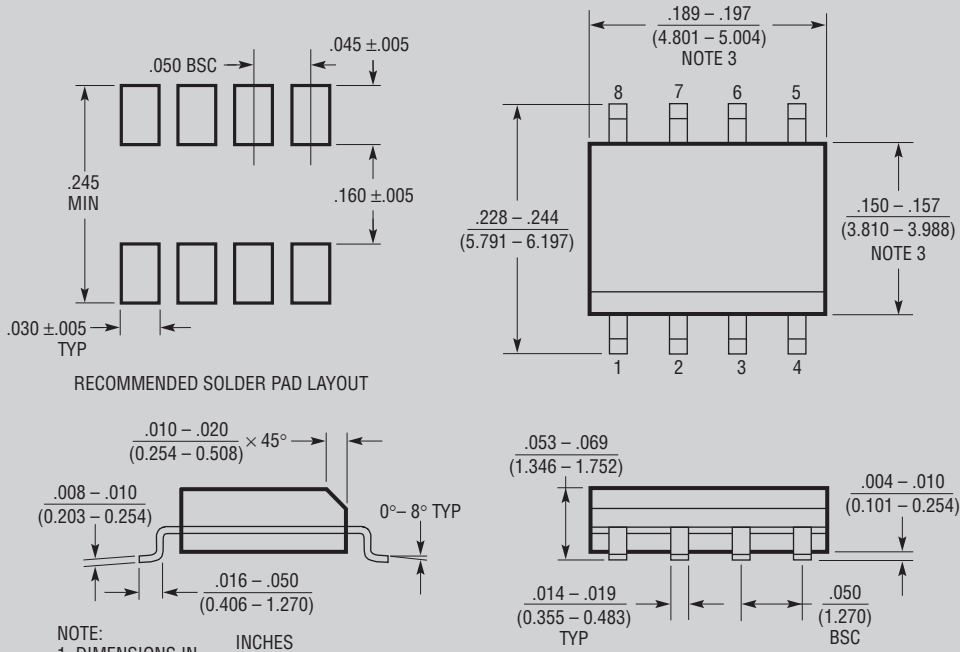
NOTE:

1. DRAWING TO BE MADE A JEDEC PACKAGE OUTLINE M0-229 VARIATION OF (WEED-2). CHECK THE LTC WEBSITE DATA SHEET FOR CURRENT STATUS OF VARIATION ASSIGNMENT
2. DRAWING NOT TO SCALE
3. ALL DIMENSIONS ARE IN MILLIMETERS
4. DIMENSIONS OF EXPOSED PAD ON BOTTOM OF PACKAGE DO NOT INCLUDE MOLD FLASH. MOLD FLASH, IF PRESENT, SHALL NOT EXCEED 0.15mm ON ANY SIDE
5. EXPOSED PAD SHALL BE SOLDER PLATED
6. SHADED AREA IS ONLY A REFERENCE FOR PIN 1 LOCATION ON THE TOP AND BOTTOM OF PACKAGE

PACKAGE DESCRIPTION

Please refer to <http://www.linear.com/designtools/packaging/> for the most recent package drawings.

S8 Package 8-Lead Plastic Small Outline (Narrow .150 Inch) (Reference LTC DWG # 05-08-1610 Rev G)



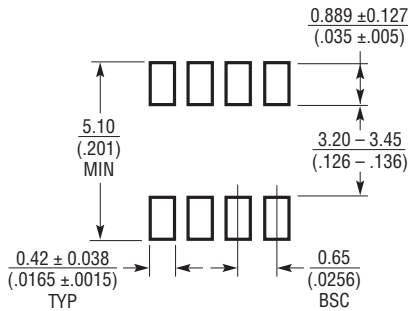
- NOTE:
1. DIMENSIONS IN INCHES (MILLIMETERS)
 2. DRAWING NOT TO SCALE
 3. THESE DIMENSIONS DO NOT INCLUDE MOLD FLASH OR PROTRUSIONS. MOLD FLASH OR PROTRUSIONS SHALL NOT EXCEED $.006^\circ$ (0.15mm)
 4. PIN 1 CAN BE BEVEL EDGE OR A DIMPLE

S08 REV G 0212

OBsolete PACKAGE

PACKAGE DESCRIPTION

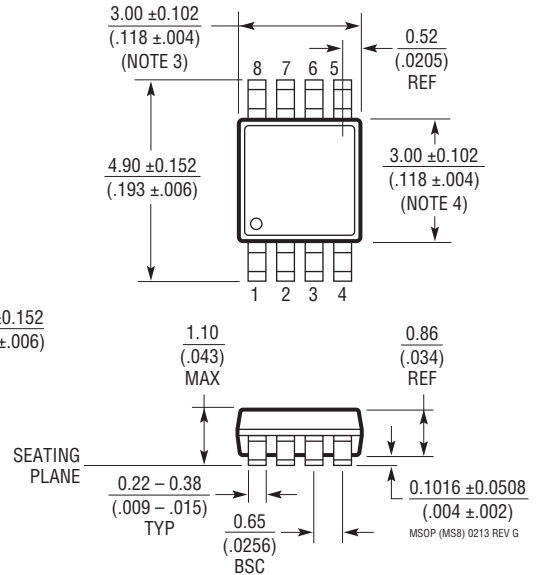
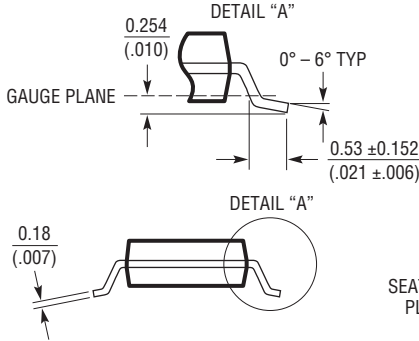
MS8 Package
8-Lead Plastic MSOP
 (Reference LTC DWG # 05-08-1660 Rev G)



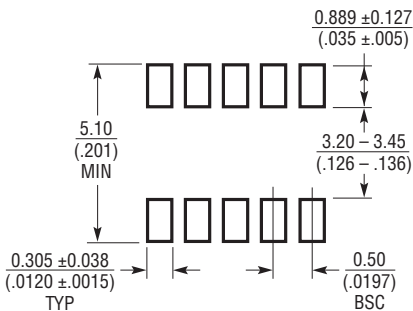
RECOMMENDED SOLDER PAD LAYOUT

NOTE:

1. DIMENSIONS IN MILLIMETER/(INCH)
2. DRAWING NOT TO SCALE
3. DIMENSION DOES NOT INCLUDE MOLD FLASH, PROTRUSIONS OR GATE BURRS.
 MOLD FLASH, PROTRUSIONS OR GATE BURRS SHALL NOT EXCEED 0.152mm (.006") PER SIDE
4. DIMENSION DOES NOT INCLUDE INTERLEAD FLASH OR PROTRUSIONS.
 INTERLEAD FLASH OR PROTRUSIONS SHALL NOT EXCEED 0.152mm (.006") PER SIDE
5. LEAD COPLANARITY (BOTTOM OF LEADS AFTER FORMING) SHALL BE 0.102mm (.004") MAX



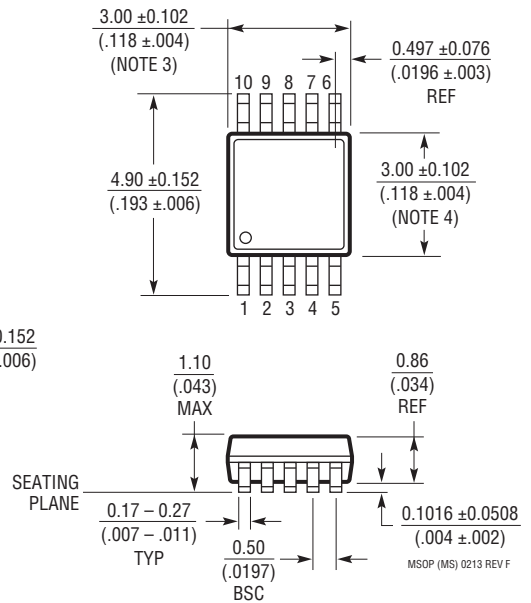
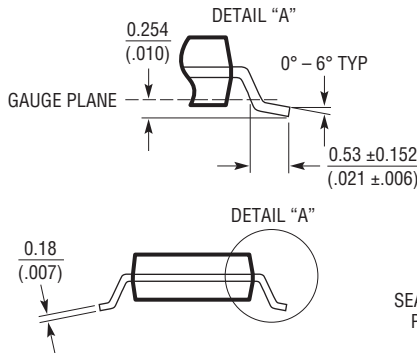
MS Package
10-Lead Plastic MSOP
 (Reference LTC DWG # 05-08-1661 Rev F)



RECOMMENDED SOLDER PAD LAYOUT

NOTE:

1. DIMENSIONS IN MILLIMETER/(INCH)
2. DRAWING NOT TO SCALE
3. DIMENSION DOES NOT INCLUDE MOLD FLASH, PROTRUSIONS OR GATE BURRS.
 MOLD FLASH, PROTRUSIONS OR GATE BURRS SHALL NOT EXCEED 0.152mm (.006") PER SIDE
4. DIMENSION DOES NOT INCLUDE INTERLEAD FLASH OR PROTRUSIONS.
 INTERLEAD FLASH OR PROTRUSIONS SHALL NOT EXCEED 0.152mm (.006") PER SIDE
5. LEAD COPLANARITY (BOTTOM OF LEADS AFTER FORMING) SHALL BE 0.102mm (.004") MAX

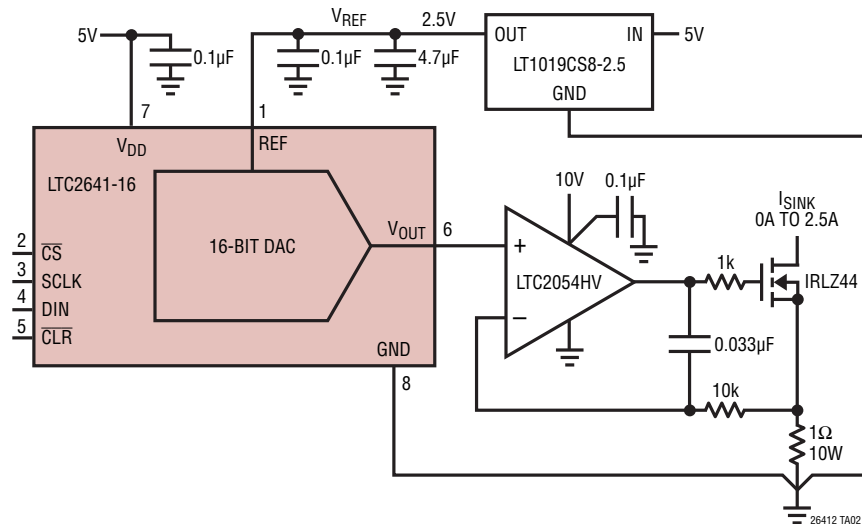


REVISION HISTORY (Revision history begins at Rev C)

| REV | DATE | DESCRIPTION | PAGE NUMBER |
|-----|-------|-------------------------------|---------------------|
| C | 12/13 | Marked S8 package as Obsolete | 2, 3, 9, 10, 18, 21 |

TYPICAL APPLICATION

Wide Range Current Load Sinks 0A to 2.5A



RELATED PARTS

| PART NUMBER | DESCRIPTION | COMMENTS |
|--|--|--|
| DACs | | |
| LTC1588/LTC1589 LTC1592 | 12-/14-/16-Bit SoftSpan™ Current Output DACs | Software Programmable Output Ranges up to ±10V |
| LTC1595/LTC1596 | Serial 16-Bit Current Output DACs | Low Glitch, ±1LSB Maximum INL, DNL |
| LTC1591/LTC1597 | Parallel 14-/16-Bit Current Output DACs | ±1LSB Max INL, DNL, ±10V Output |
| LTC1599 | 16-Bit Current Output DAC | ±1LSB Max INL, DNL, ±10V Output |
| LTC1650 | 16-Bit Voltage Output DAC | 2nV•s Glitch Impulse, 30nV/√Hz Noise |
| LTC2621/LTC2611 LTC2601 | 12-/14-/16-Bit Serial Voltage Output DACs | Single DACs, Single Supply, 0V to 5V Outputs in DFN10 |
| LTC2704-12 LTC2704-14 LTC2704-16 | 12-/14-/16-Bit Quad Voltage Output DACs | Software Programmable Output Ranges up to ±10V, Serial I/O |
| Op Amps | | |
| LT®1678 | Dual Low Noise Rail-to-Rail Precision Op Amp | 3.9nV/√Hz at 1MHz |
| LTC2054 | Micropower Zero Drift Op Amp | 3µV Maximum Offset |
| LT6010 | 150µA 8nV/√Hz Rail-to-Rail Output Precision Op Amp | Micropower |
| LTC6078 | Dual CMOS Rail-to-Rail Input/Output Amplifier | 54µA per Amp, 16nV/√Hz Input Noise Voltage |
| References | | |
| LT1019 | Precision Bandgap Reference | 0.005% Max, 5ppm/°C Max |