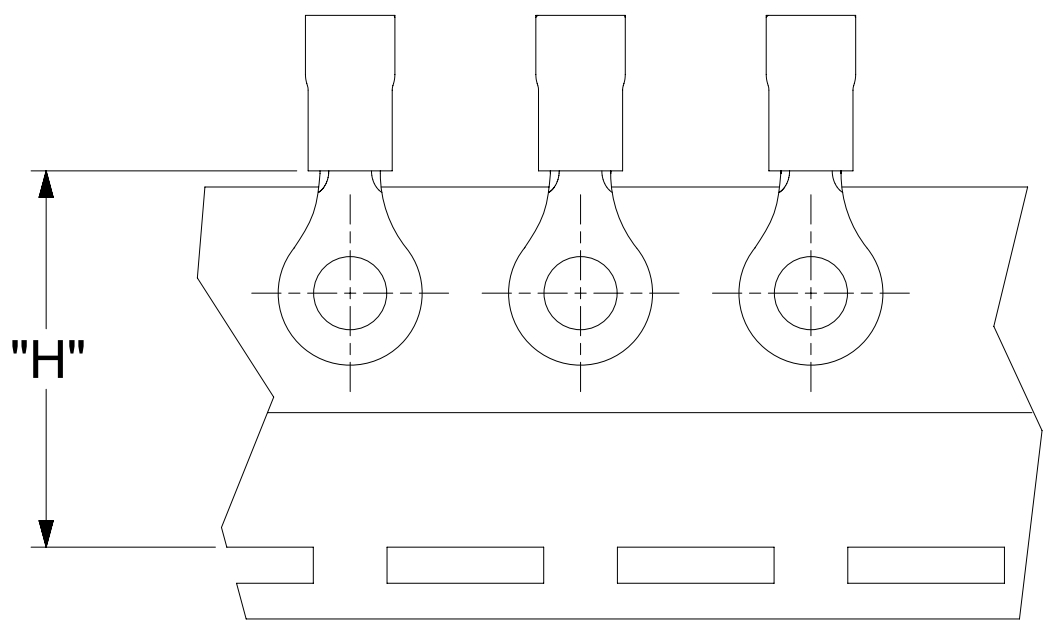
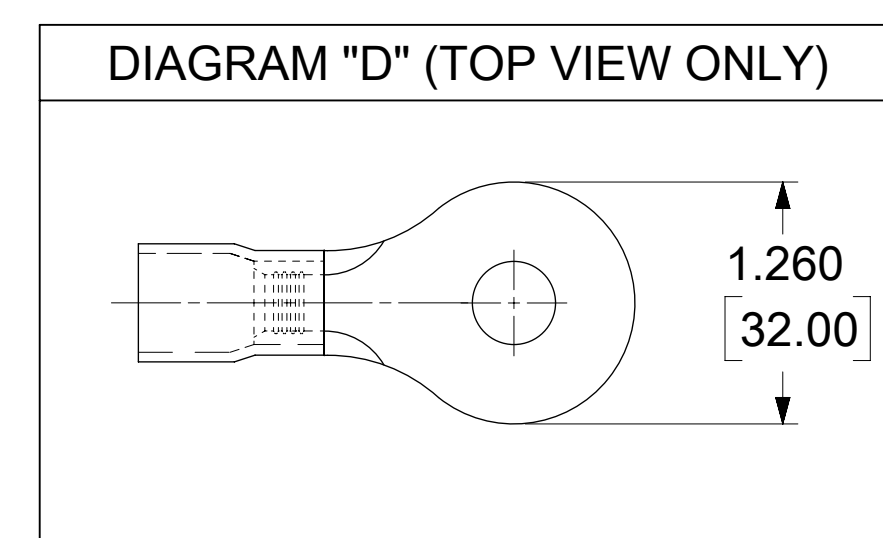
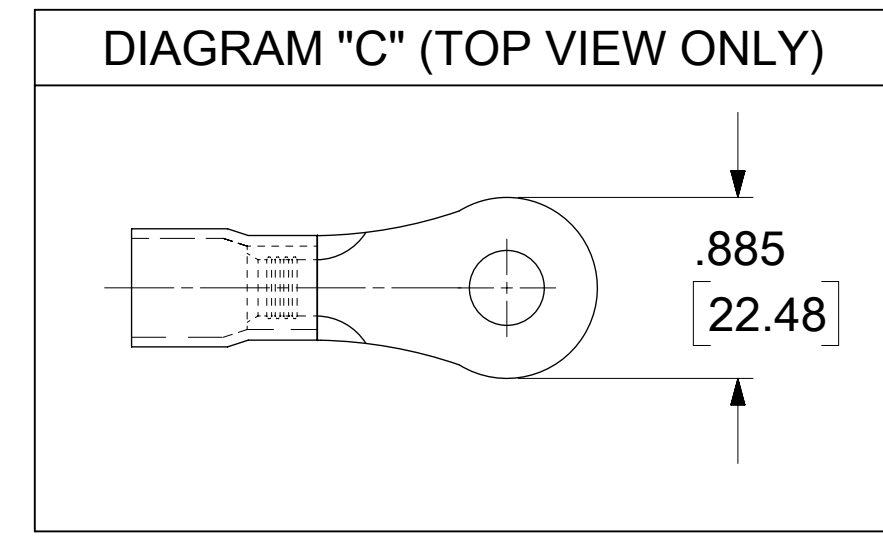
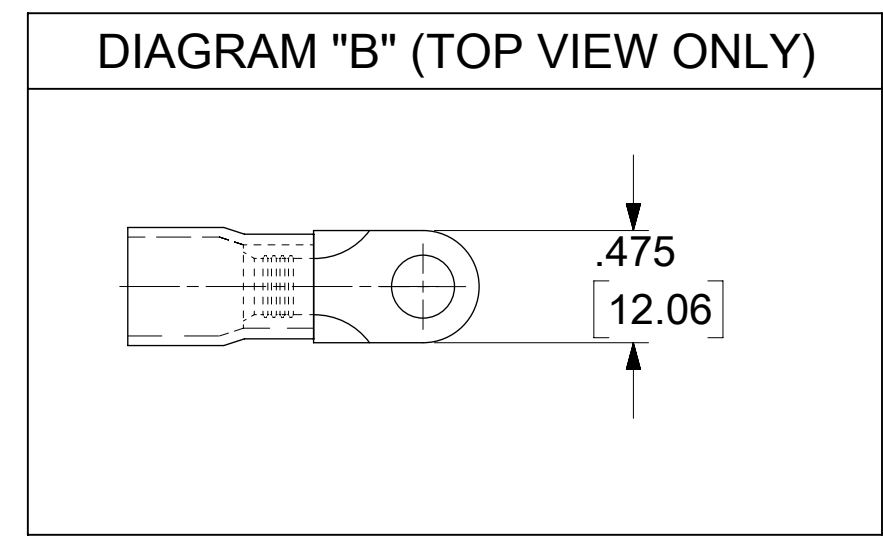
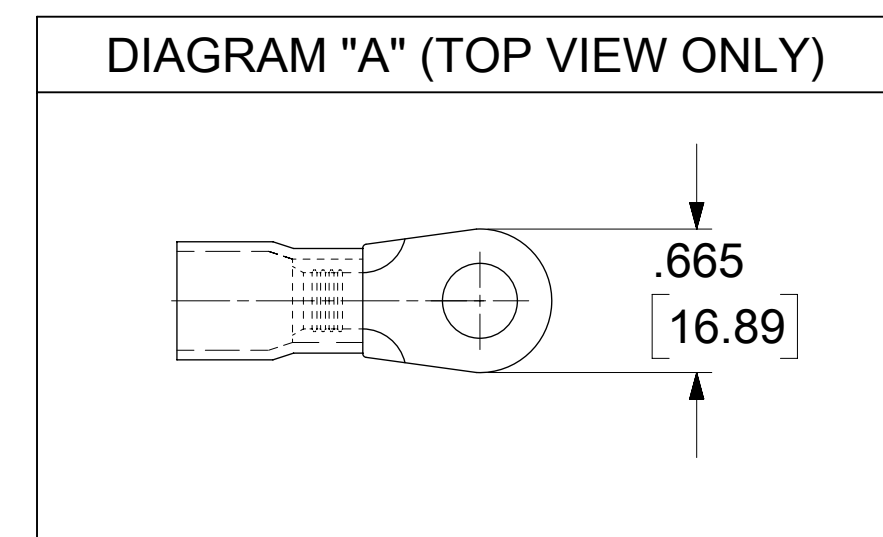
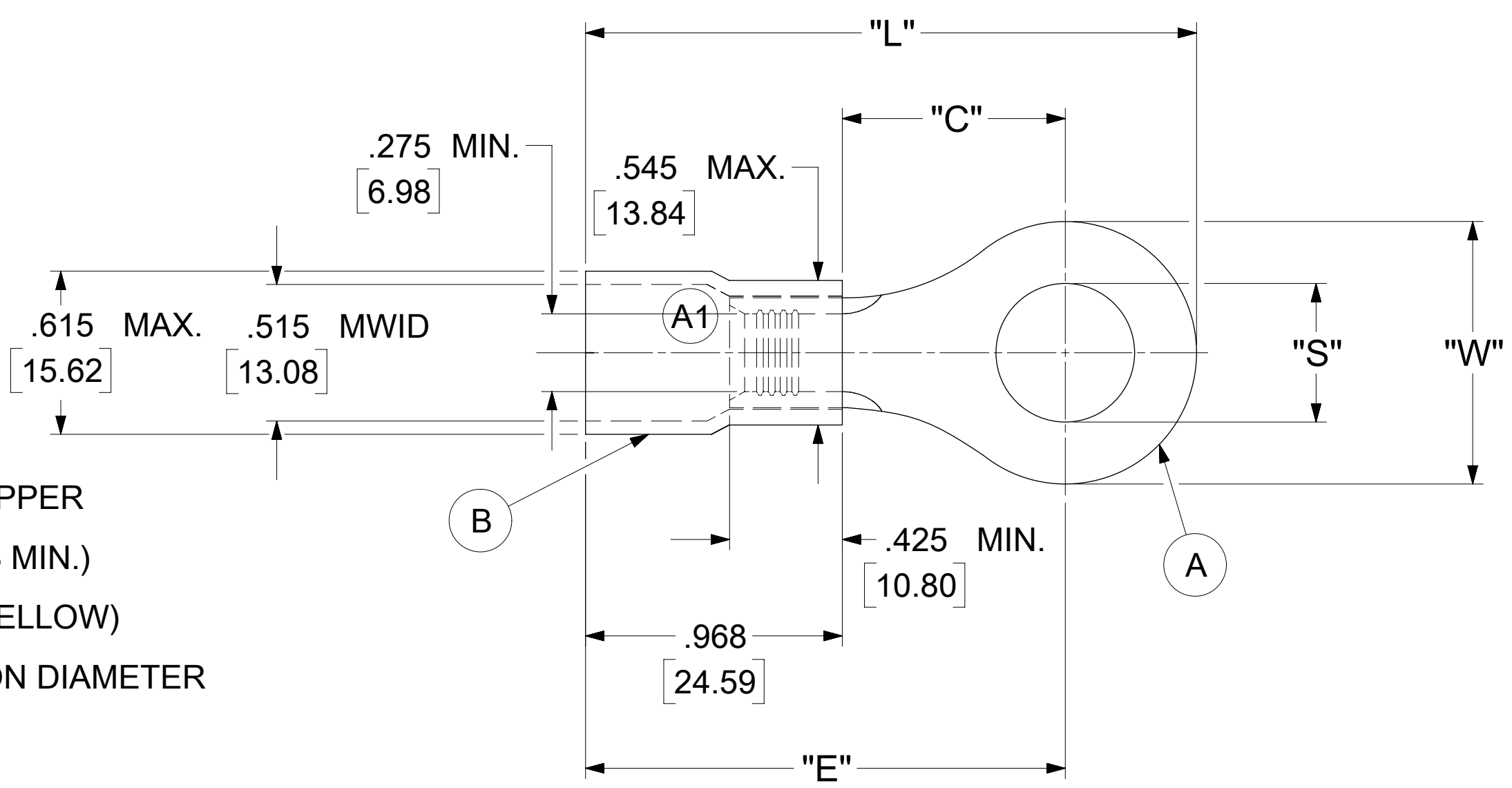


LOOSE PIECE		TAPE MOUNTED		SPECIFICATIONS								
MATERIAL NUMBER	ENGINEERING NUMBER	MATERIAL NUMBER	ENGINEERING NUMBER	STUD SIZE	"S" ±.005 [0.13]	"W" ±.010 [0.25]	"C" MIN.	"E" MAX.	"L" MAX.	"H"	STOCK THK (REF) (A1)	DIAGRAM
190710231	F-666-10X	---	---	10	.198 [5.03]	.665 [16.89]	.520 [13.21]	1.534 [38.96]	1.846 [46.89]	1.200 [30.48]	.067 [1.70]	"A"
190710234	F-666-12X	---	---	12	.515 [13.08]							
190710237	F-666-14X	---	---	14	.265 [6.73]							
190710240	F-666-38X	190710379	F-666-38XT	38	.390 [9.91]							
190710243	F-666-56X	190710246	F-666-56X	56	.328 [8.33]							
190710247	F-666-76X	---	---	76	.453 [11.51]							
190710250	F-667-10X	190710252	F-667-10XT	10	.198 [5.03]	.475 [12.07]	.520 [13.21]	1.534 [38.96]	1.756 [44.60]	1.200 [30.48]	.067 [1.70]	"B"
190710253	F-667-14X	190710254	F-667-14XT	14	.265 [6.73]							
---	---	---	---	56	.328 [8.33]							
---	---	---	---	12	.515 [13.08]	.885 [22.48]	.989 [25.12]	2.003 [50.88]	2.412 [61.27]	---	.075 [1.91]	"C"
---	---	---	---	14	.265 [6.73]							
---	---	---	---	38	.390 [9.91]							
---	---	---	---	56	.328 [8.33]							
---	---	---	---	58	.656 [16.67]							
---	---	---	---	76	.453 [11.51]							
---	---	---	---	12	.515 [13.08]	1.260 [32.00]	.989 [25.12]	2.003 [50.88]	2.599 [66.01]	---	.075 [1.91]	"D"
---	---	---	---	14	.265 [6.73]							
---	---	---	---	34	.781 [19.84]							
---	---	---	---	38	.390 [9.91]							
---	---	---	---	56	.328 [8.33]							
190710270	F-670-58X	---	---	58	.656 [16.67]	---	---	---	---	---	---	---
---	---	---	---	76	.453 [11.51]							



PARTS ON TAPE



- NOTES:
- MATERIAL:
 - (A). RING TONGUE TERMINAL: COPPER
 - PLATING: ELECTRO-TIN (.0003 MIN.)
 - (B). INSULATION: MOLDED PVC (YELLOW)
 - MWID: MAXIMUM WIRE INSULATION DIAMETER
 - WIRE SIZE: 4 AWG
25 MM²
 - "UL" LISTING #E32244
"CSA" LISTING #18689
 - ALL DIMENSIONS IN INCHES/[MM].
 - PARTS ARE RoHS COMPLIANT.
 - DIMS. SHOWN ARE FOR REFERENCE ONLY.

SYMBOLS	THIS DRAWING CONTAINS INFORMATION THAT IS PROPRIETARY TO MOLEX ELECTRONIC TECHNOLOGIES, LLC AND SHOULD NOT BE USED WITHOUT WRITTEN PERMISSION		
	DIMENSION UNITS	SCALE	CURRENT REV DESC: DWG ERROR. FIXED INSUL. PROFILE
▽ = 0	INCH/MM	NTS	EC NO: 647871 DRWN: DMYRICK 2020/10/27 CHK'D: KBURROUGHS 2020/10/27 APPR: KBURROUGHS 2020/10/27
▽ = 0	GENERAL TOLERANCES (UNLESS SPECIFIED)		
▽ = 0		MM	INITIAL REVISION: DRWN: JTK 1970/01/21 APPR: JMACNEIL 2019/07/10
▽ = 0		INCH	
▽ = 0	4 PLACES	±	DOCUMENT NUMBER: 190710231 DOC TYPE: PSD DOC PART: 000 REVISION: A1
▽ = 0	3 PLACES	±	
▽ = 0	2 PLACES	±	MATERIAL NUMBER: 19071 CUSTOMER: GENERAL MARKET SHEET NUMBER: 1 OF 1
▽ = 0	1 PLACE	±	
▽ = 0	0 PLACES	±	
▽ = 0	ANGULAR TOL	± °	
▽ = 0	DRAFT WHERE APPLICABLE MUST REMAIN WITHIN DIMENSIONS	THIRD ANGLE PROJECTION	DRAWING: D-SIZE SERIES: 19071