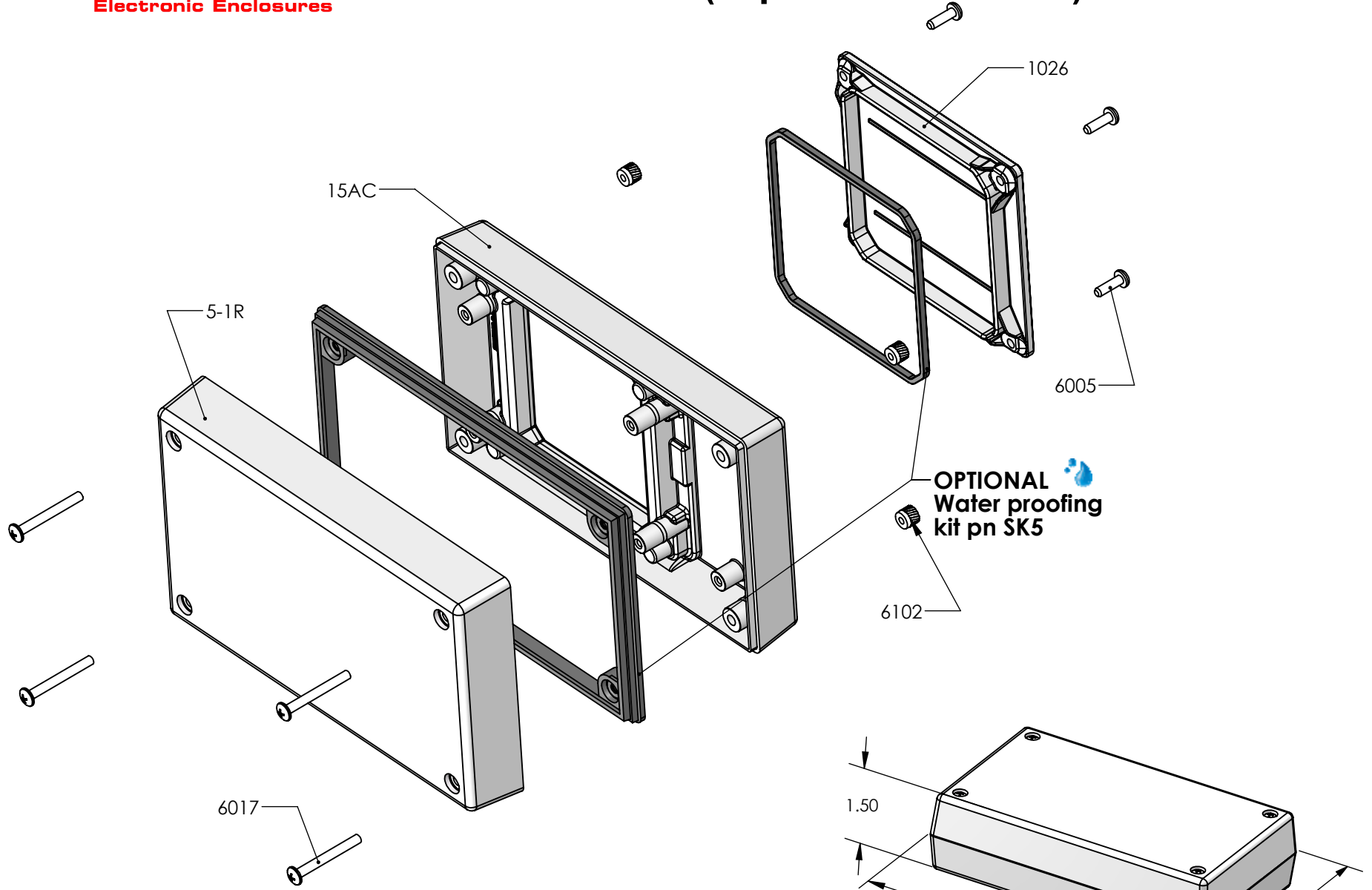
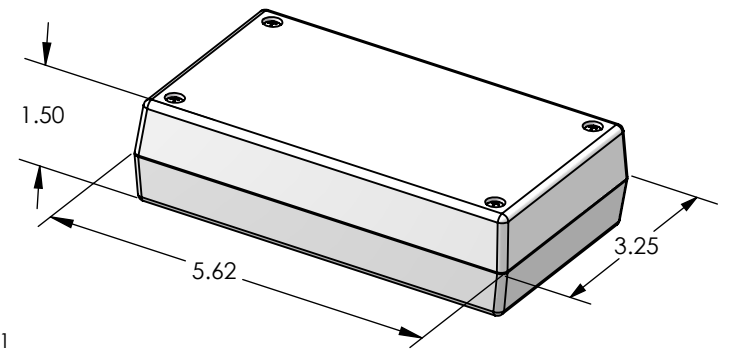


SERPAC 151RAC (exploded isometric)

Electronic Enclosures



OPTIONAL
Water proofing
kit pn SK5



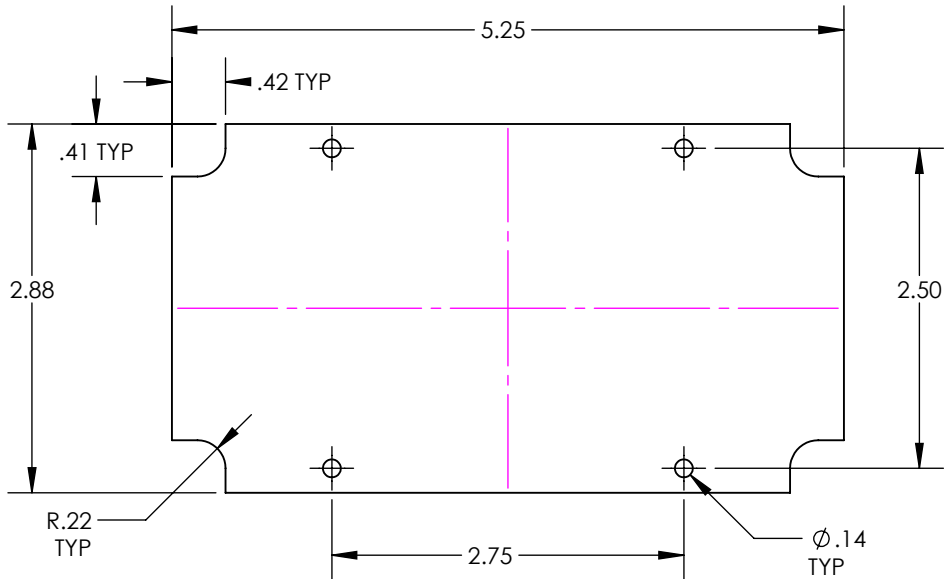
PART NO.	DESCRIPTION (Included)	ACCESSORIES (Optional)	
5-1R	Top	PART NO.	DESCRIPTION
15AC	AC Bottom	50	Non-skid Feet
1026	Access Door	SK5	Seal Kit for 15X
6005	#4X3/8" Self-Tapping Screw (4)		
6017	4-40 Screw (4)		
6102	4-40 Threaded Insert (4)		

- Notes:
- 1) Enclosure weight .29 lb / 133 g
 - 2) Enclosure meets or exceeds IP40 and NEMA 1
 - 3) When used with SK5 the enclosure meets or exceeds IP 67 and NEMA 4X, 12 and 13 MIL-STD-810G 506.5 (.02 lb / 11g)
 - 4) Circuit Board drawings see sheet 3.
 - 5) All components are RoHS Compliant.

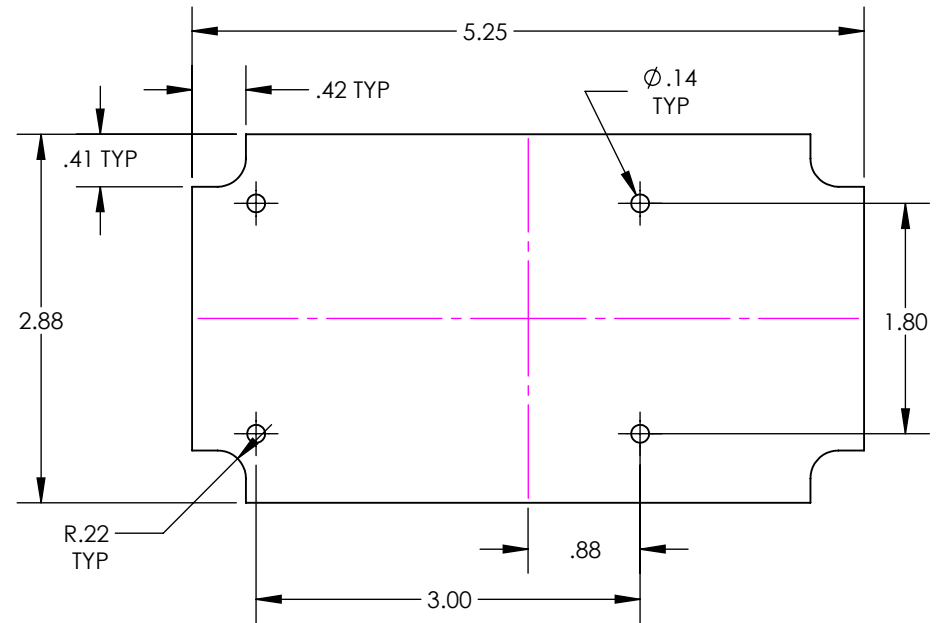
SERPAC PCB for 15X compartment enclosures

Electronic Enclosures

CIRCUIT BOARD FOR TOP



CIRCUIT BOARD FOR BOTTOM



SMALL CIRCUIT BOARD FOR BOTTOM

