

# S05 SERIES MATRIX

**S 0 5 2 0 7 T A 1 2 2 \* \***

SERIES:  
S05- INTERNAL THREAD  
FORM C

POLES:  
2-2 POLE

THREAD:  
07-PG7  
M2-M12X1.5

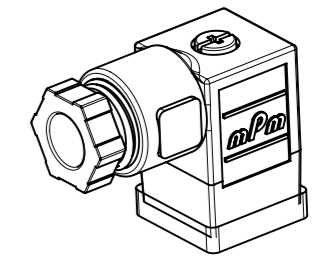
MATERIAL AND  
HOUSING COLOUR:  
T-TRANSPARENT

CIRCUIT:  
SEE DETAILS  
IN CATALOGUE

VOLTAGE:  
SEE DETAILS  
IN CATALOGUE

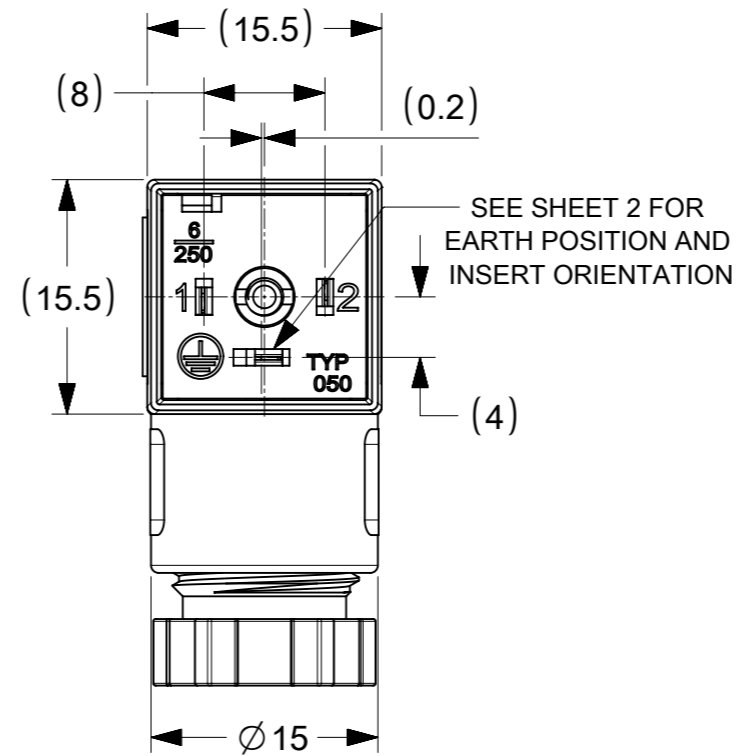
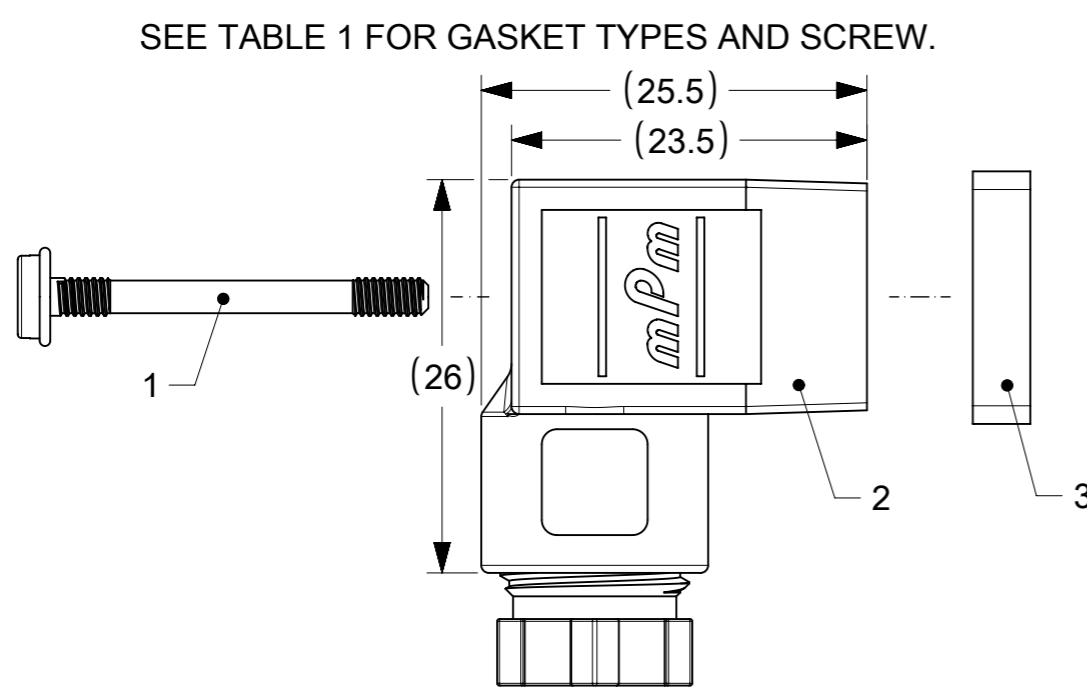
SCREW AND GASKET:  
1- NBR PROFILE GASKET & SCREW  
2- NBR FLAT GASKET & SCREW

NON STANDARD COMPONENTS:  
14-PACKED IN NEUTRAL BAG  
SA-UL LISTED



SCALE 1:1

SEE TABLE 1 FOR GASKET TYPES AND SCREW.



SEE SHEET 2 FOR  
EARTH POSITION AND  
INSERT ORIENTATION

ITEM	DESCRIPTION/OPIS
1	SCREW
2	COVER+INSERT ASSEMBLY
3	GASKET

GASKET HIDDEN FOR CLARITY

TABLE 1

PROFILED GASKET	FLAT GASKET	SCREW M2.5x25

TECHNICAL SPECIFICATION:

OPERATING CURRENT: 10A  
CONTACT RESISTANCE: <15 mOhms MAX.

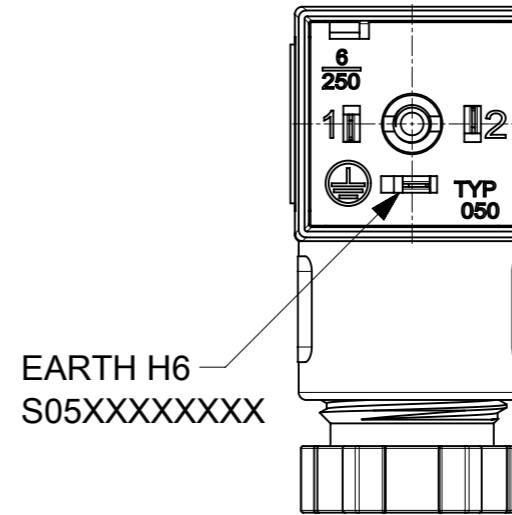
OPERATING TEMPERATURE:  
NBR GASKET: -40° TO +90°C  
SILICONE GASKET: -40° TO +125°C

<b>SYMBOLS</b> DIMENSION UNITS: mm SCALE: 2:1 GENERAL TOLERANCES (UNLESS SPECIFIED): ANGULAR TOL ± 1.0° 4 PLACES ± 3 PLACES ± 2 PLACES ± 0.05 1 PLACE ± 0.3 0 PLACES ± 0.5 DRAFT WHERE APPLICABLE MUST REMAIN WITHIN DIMENSIONS	THIS DRAWING CONTAINS INFORMATION THAT IS PROPRIETARY TO MOLEX ELECTRONIC TECHNOLOGIES, LLC AND SHOULD NOT BE USED WITHOUT WRITTEN PERMISSION		CURRENT REV DESC: INITIAL RELEASE		
	EC NO: 613943 DRWN: MDHARMANTI 2018/12/03 CHK'D: RSILLER 2019/03/19 APPR: RSILLER 2019/03/19		S052 PG07 TRANS XV LED & VDR		
	INITIAL REVISION: DRWN: MDHARMANTI 2018/12/03 APPR: RSILLER 2019/03/19		PRODUCT CUSTOMER DRAWING		
	DRAFT WHERE APPLICABLE MUST REMAIN WITHIN DIMENSIONS		THIRD ANGLE PROJECTION		
DOCUMENT NUMBER: 1210640168		DOC TYPE: PSD DOC PART: 000 REVISION: A		SHEET NUMBER: 1 OF 2	
MATERIAL NUMBER: SEE PART LIST		CUSTOMER: GENERAL MARKET		SERIES: 121064	

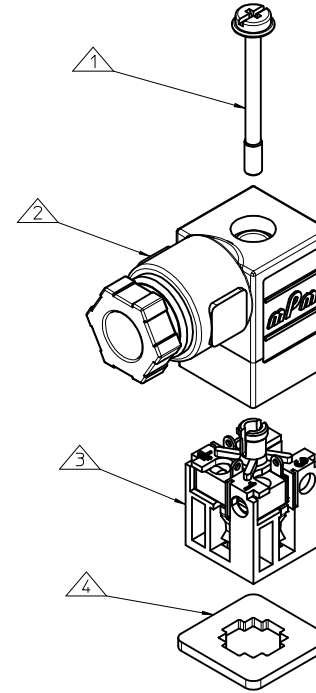
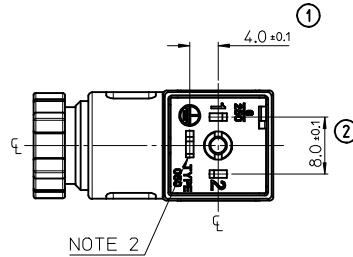
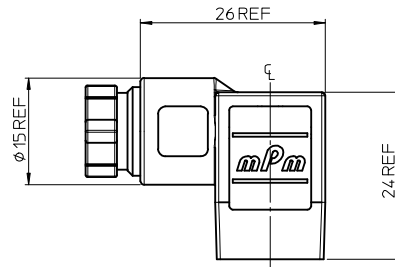
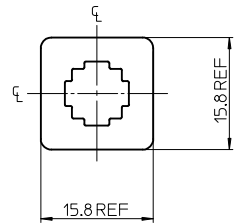
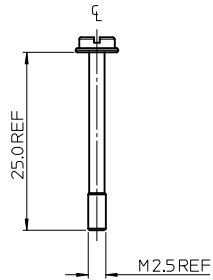
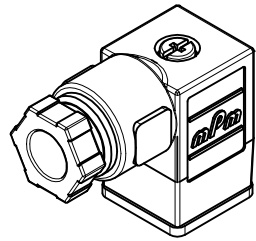
# PART LIST AND BOM

ENGINEERING NO.	MOLEX P/N	EARTH	CIRCUIT	VOLTAGE	INDICATOR
S05207TA122	1210640159	H6	A1	24V	RED LED
S05207TA142	1210640160	H6	A1	115V	RED LED
S05207TA152	1210640161	H6	A1	230V	RED LED
S05207TC3H1	1210640165	H6	C3	24V	AMBER LED
S05207TC421	1210640167	H6	C4	24V	RED LED
S05207TC422	1210640168	H6	C4	24V	RED LED
S05207TC442	1210640171	H6	C4	115V	RED LED
S05207TC452	1210640172	H6	C4	230V	RED LED
S05207TC4B2	1210640173	H6	C4	24V	GREEN LED
S05207TC4H2	1210640179	H6	C4	24V	AMBER LED
S05207TC4L2	1210640181	H6	C4	115V	AMBER LED
S05207TC4H1	1210641253	H6	C4	24V	AMBER LED
S05207TA121	1210641318	H6	A1	24V	RED LED
S05207TC422SA	1210641351	H6	C4	24V	RED LED
S05207TA1B1	1210641485	H6	A1	24V	GREEN LED
S052M2TC4B1	1210641486	H6	C4	24V	GREEN LED
S05207TA1B2	1210641564	H6	A1	24V	GREEN LED
S052M2TC322	1210641799	H6	C3	24V	RED LED
S05207TC42214	1210650105	H6	C4	24V	RED LED

INSERT ORIENTATION  
HOUSING 2 POLES+1 EARTH



SYMBOLS	THIS DRAWING CONTAINS INFORMATION THAT IS PROPRIETARY TO MOLEX ELECTRONIC TECHNOLOGIES, LLC AND SHOULD NOT BE USED WITHOUT WRITTEN PERMISSION		CURRENT REV DESC: INITIAL RELEASE			<b>molex</b>		
	DIMENSION UNITS	SCALE						
▽ = 0	mm	2:1	EC NO: 613943			PRODUCT CUSTOMER DRAWING		
▽ = 0	GENERAL TOLERANCES (UNLESS SPECIFIED)		DRWN: MDHARMANTI 2018/12/03			DOCUMENT NUMBER		
▽ = 0	ANGULAR TOL ± 1.0°		CHK'D: RSILLER 2019/03/19			DOC TYPE DOC PART REVISION		
▽ = 0	4 PLACES ±		APPR: RSILLER 2019/03/19			1210640168 PSD 000 A		
▽ = 0	3 PLACES ±		INITIAL REVISION:			MATERIAL NUMBER CUSTOMER SHEET NUMBER		
▽ = 0	2 PLACES ± 0.05		DRWN: MDHARMANTI 2018/12/03			SEE PART LIST GENERAL MARKET 2 OF 2		
▽ = 0	1 PLACE ± 0.3		APPR: RSILLER 2019/03/19					
▽ = 0	0 PLACES ± 0.5		THIRD ANGLE PROJECTION					
▽ = 0	DRAFT WHERE APPLICABLE MUST REMAIN WITHIN DIMENSIONS		DRAWING					
▽ = 0			SERIES					
▽ = 0			A3-SIZE					



ITEM	DESCRIPTION
1	SCREW
2	COVER ASSEMBLY
3	INSERT ASSEMBLY
4	GASKET

S05207TA122\*\*

SERIES  
 S05= INTERNAL THREAD FORM C  
 POLES  
 2= 2 POLE & 3= 3 POLE  
 THREAD  
 07= PG7, M2= M12x15  
 MATERIAL AND HOUSING COLOUR  
 G= PA6 GRAY, N= PA6 BLACK, W= PA6 BLACK V0, T= TRANSPARENT  
 CIRCUIT  
 SEE DETAILS IN CATALOGUE  
 VOLTAGE  
 SEE DETAILS IN CATALOGUE  
 SCREW AND GASKET  
 1= NBR PROFILE GASKET & SCREW  
 2= NBR FLAT GASKET & SCREW  
 3= WHITE SILICON PROFILE GASKET & SCREW  
 4= WHITE SILICON FLAT GASKET & SCREW  
 NON STANDARD COMPONENTS  
 14= PACKED IN NEUTRAL BAG  
 5N= PACKED IN BOXES OF 200


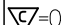

NOTES

- PLEASE SEE SHEET 2 FOR CURRENTLY CONFIGURED PART NUMBERS. FOR SPECIFIC PART NUMBERS PLEASE CONTACT SALES OR CONSULT THE INTELLIGENT PART NUMBERS IN THE TABLE ATTACHED.
- EARTH POSITION SHOWN, H6.
- FOR PACKAGING SEE PACKAGING SPEC PK-121065-S05
- PRODUCT SPEC: SEE PS-121201-001

LAST INSPECTION NUMBER 2

ADDED PART NUMBER	DESCRIPTION	QUALITY SYMBOLS		GENERAL TOLERANCES (UNLESS SPECIFIED)		DIMENSION STYLE		SCALE	DESIGN UNITS	THIRD ANGLE PROJECTION
		mm	INCH	mm	INCH	MM ONLY	2:1	METRIC	THIRD ANGLE PROJECTION	
EC NO: IFC2013-0751	2012/11/21	DRWN:DSHEA	2012/11/23	CHKD:DMAHER	2012/11/23	APPR:STGRIFLIN	2012/12/05			
4 PLACES	±---	±---				DRAWN BY	DATE	TITLE	S05 SERIES INTERNAL THREAD	
3 PLACES	±---	±---				JOCANNOR	2011/05/11			
2 PLACES	±0.1	±---				CHECKED BY	DATE			
1 PLACE	±0.2	±---				DMAHER	2011/05/11			
ANGULAR	±---°					APPROVED BY	DATE			
						EFOLAN	2011/05/25			
DRAFT WHERE APPLICABLE MUST REMAIN WITHIN DIMENSIONS		SEE SHEET 2		MATERIAL NO.		DOCUMENT NO.		MOLEX INCORPORATED		SHEET NO. 1 OF 2
		SIZE A2		THIS DRAWING CONTAINS INFORMATION THAT IS PROPRIETARY TO MOLEX INCORPORATED AND SHOULD NOT BE USED WITHOUT WRITTEN PERMISSION						

PART No.	mPm PART No.	DESCRIPTION	CIRCUIT	VOLTAGE	INDICATOR
1210640155	S05207TA022	TYPE C 2P PG7 TRANSPARENT NBR FLAT GASKET	A0	24V	RED LED/LAMP
1210640159	S05207TA122	TYPE C 2P PG7 TRANSPARENT NBR FLAT GASKET	A1	24V	RED LED
1210640160	S05207TA142	TYPE C 2P PG7 TRANSPARENT NBR FLAT GASKET	A1	115V	RED LED
1210640161	S05207TA152	TYPE C 2P PG7 TRANSPARENT NBR FLAT GASKET	A1	230V	RED LED
1210641267	S05207TA1H2	TYPE C 2P PG7 TRANSPARENT NBR FLAT GASKET	A1	24V	AMBER LED
1210641318	S05207TA121	TYPE C 2P PG7 TRANSPARENT NBR PROFILE GASKET	A1	24V	RED LED
1210641485	S05207TA1B1	TYPE C 2P PG7 TRANSPARENT NBR PROFILE GASKET	A1	24V	GREEN LED
1210641564	S05207TA1B2	TYPE C 2P PG7 TRANSPARENT NBR FLAT GASKET	A1	24V	GREEN LED
1210641565	S05207TA1E2	TYPE C 2P PG7 TRANSPARENT NBR FLAT GASKET	A1	230V	GREEN LED
1210641731	S05207TA1H1	TYPE C 2P PG7 TRANSPARENT NBR PROFILE GASKET	A1	24V	AMBER LED
1210641732	S05207TA1L1	TYPE C 2P PG7 TRANSPARENT NBR PROFILE GASKET	A1	115V	AMBER LED
1210641745	S05207TA1L2	TYPE C 2P PG7 TRANSPARENT NBR FLAT GASKET	A1	115V	AMBER LED
1210640164	S05207TC322	TYPE C 2P PG7 TRANSPARENT NBR FLAT GASKET	C3	24V	RED LED
1210640165	S05207TC3H1	TYPE C 2P PG7 TRANSPARENT NBR PROFILE GASKET	C3	24V	AMBER LED
1210641396	S05207TC321	TYPE C 2P PG7 TRANSPARENT NBR PROFILE GASKET	C3	24V	RED LED
1210641730	S05207TC3H2	TYPE C 2P PG7 TRANSPARENT NBR FLAT GASKET	C3	24V	AMBER LED
1210640167	S05207TC421	TYPE C 2P PG7 TRANSPARENT NBR PROFILE GASKET	C4	24V	RED LED
1210640168	S05207TC422	TYPE C 2P PG7 TRANSPARENT NBR FLAT GASKET	C4	24V	RED LED
1210640169	S05207TC4225N	TYPE C 2P PG7 TRANSPARENT NBR FLAT GASKET IN BOX OF 200	C4	24V	RED LED
1210640171	S05207TC442	TYPE C 2P PG7 TRANSPARENT NBR FLAT GASKET	C4	115V	RED LED
1210640172	S05207TC452	TYPE C 2P PG7 TRANSPARENT NBR FLAT GASKET	C4	230V	RED LED
1210640173	S05207TC4B2	TYPE C 2P PG7 TRANSPARENT NBR FLAT GASKET	C4	24V	GREEN LED
1210640175	S05207TC4D2	TYPE C 2P PG7 TRANSPARENT NBR FLAT GASKET	C4	115V	GREEN LED
1210640179	S05207TC4H2	TYPE C 2P PG7 TRANSPARENT NBR FLAT GASKET	C4	24V	AMBER LED
1210640181	S05207TC4L2	TYPE C 2P PG7 TRANSPARENT NBR FLAT GASKET	C4	115V	AMBER LED
1210640182	S05207TC4M2	TYPE C 2P PG7 TRANSPARENT NBR FLAT GASKET	C4	230V	AMBER LED
1210641245	S05207TC4B1	TYPE C 2P PG7 TRANSPARENT NBR PROFILE GASKET	C4	24V	GREEN LED
1210641253	S05207TC4H1	TYPE C 2P PG7 TRANSPARENT NBR PROFILE GASKET	C4	24V	AMBER LED
1210641446	S05207TC4M1	TYPE C 2P PG7 TRANSPARENT NBR PROFILE GASKET	C4	230V	AMBER LED
1210641459	S05207TC4Z4	TYPE C 2P PG7 TRANSPARENT WHITE SILICON FLAT GASKET	C4	24V	RED LED
1210641486	S052M2TC4B1	TYPE C 2P M12x1.5 TRANSPARENT NBR PROFILE GASKET	C4	24V	GREEN LED
1210641751	S05207TC4K2	TYPE C 2P PG7 TRANSPARENT NBR FLAT GASKET	C4	48V	AMBER LED
1210650105	S05207TC42214	TYPE C 2P PG7 TRANSPARENT NBR FLAT GASKET IN NEUTRAL BAG	C4	24V	RED LED
1210650552	S05207TC4525N	TYPE C 2P PG7 TRANSPARENT NBR FLAT GASKET IN BOX OF 200	C4	230V	RED LED
1210640183	S05207TS0H1	TYPE C 2P PG7 TRANSPARENT NBR PROFILE GASKET	S0	24V	AMBER LED
1210641799	S052M2TC322	TYPE C 2P M12x1.5 TRANSPARENT NBR FLAT GASKET	C3	24V	RED LED

<b>SEE SHEET 1</b> EC NO: IPG2013-0751 DRWNG:JSHEA 2012/11/21 CHKD:DMAHER 2012/11/23 APPR:STGRIFFIN 2012/12/05	QUALITY SYMBOLS  = 0  = 0	GENERAL TOLERANCES (UNLESS SPECIFIED)		DIMENSION STYLE <b>MM ONLY</b>		SCALE <b>2:1</b>	DESIGN UNITS <b>METRIC</b>	 <b>THIRD ANGLE PROJECTION</b>	
		4 PLACES ± --- ± --- 3 PLACES ± --- ± --- 2 PLACES ± 0.1 ± --- 1 PLACE ± 0.2 ± ---	mm INCH ± --- ± --- ± 0.1 ± --- ± 0.2 ± ---	DRAWN BY JOCONNOR	DATE 2011/05/11	TITLE <b>S05 SERIES INTERNAL THREAD</b>			
		DRAFT WHERE APPLICABLE MUST REMAIN WITHIN DIMENSIONS		CHECKED BY DMAHER	DATE 2011/05/11	<b>MOLEX INCORPORATED</b>			
				APPROVED BY EFOLAN	DATE 2011/05/25	MATERIAL NO. <b>SEE CHART</b>	DOCUMENT NO. <b>SD-121064-001</b>	SHEET NO. <b>2 OF 2</b>	

THIS DRAWING CONTAINS INFORMATION THAT IS PROPRIETARY TO MOLEX INCORPORATED AND SHOULD NOT BE USED WITHOUT WRITTEN PERMISSION