



MATERIAL

Glass-fibre reinforced polyamide based (PA) technopolymer certified self-extinguishing UL-94 V0, grey-black colour, matte finish.

STANDARD EXECUTION

Snap-in assembly (see Assembly Instructions).

ERGONOMY AND DESIGN

A modern design thanks to the compact shape. The internal profile of the cavity offers a safe, comfortable and ergonomic grip.

TECHNICAL DATA

The "V0" certification in accordance with UL-94 V (Underwriters Laboratories) (see Technical Data on page A-5) indicates that on a plastic test sample with specific shape and dimensions, in the vertical position, the flame is extinguished within 10 seconds, without generating any incandescent drops.

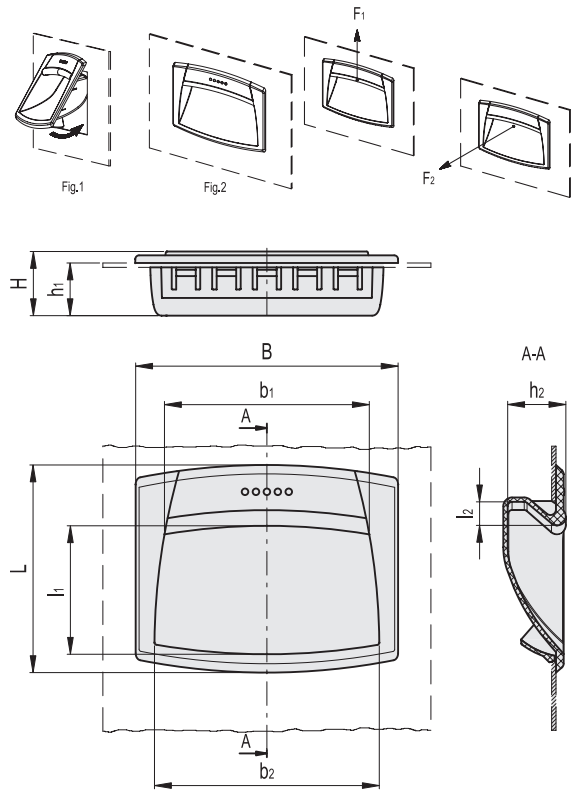
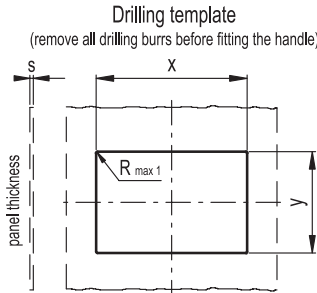
The lifting (F1) and pull out (F2) resistance values reported in the table are the result of the tests carried out in laboratory with handles assembled on strengthened metal sheet panels with thickness = 1.5 mm (strengthened for test purposes).

ASSEMBLY INSTRUCTIONS

1. Drill the handle housing according to the template dimensions.
2. Remove all drilling burrs before fitting the handle.
3. Fit the upper part of the handle into the housing (Fig.1).
4. Press onto the lower part until the handle is completely snapped in (Fig. 2).



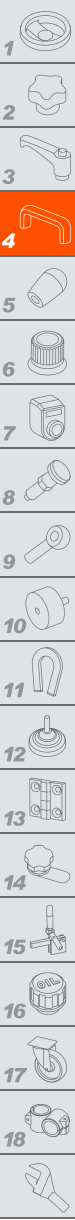
ERGOSTYLE® ELESA Original design 2007



s	EPR.90-PF AE-V0		EPR.110-PF AE-V0		EPR.120-PF AE-V0	
	x	y	x	y	x	y
0.7	85 ^{+0.2}	35.2 ^{±0.1}	100.5 ^{+0.2} ₀	50.1 ^{±0.1}	107.5 ^{+0.2}	70.6 ^{±0.1}
1	85 ^{+0.2}	35.3 ^{±0.1}	100.5 ^{+0.2} ₀	50.4 ^{±0.1}	107.5 ^{+0.2}	70.9 ^{±0.1}
1.5	85 ^{+0.2}	36.3 ^{±0.1}	100.5 ^{+0.2} ₀	50.8 ^{±0.1}	107.5 ^{+0.2}	71.3 ^{±0.1}
2	85 ^{+0.2}	36.3 ^{±0.1}	100.5 ^{+0.2} ₀	51.1 ^{±0.1}	107.5 ^{+0.2}	71.6 ^{±0.1}
2.2	85 ^{+0.2}	36.3 ^{±0.1}	100.5 ^{+0.2} ₀	51.1 ^{±0.1}	107.5 ^{+0.2}	71.6 ^{±0.1}

Conversion Table	
1 mm = 0.039 inch	
B	
mm	inch
90	3.54
109	4.29
120	4.72

Code	Description	METRIC													
		B	L	H	h1	h2	b1	b2	l1	l2	F1 [N]	F2 [N]	⚖		
150611-C1	EPR.90-PF-AE-V0-C1	90	50	19	17	17.5	76	79	28	7	1800	500	20		
150631-C1	EPR.110-PF-AE-V0-C1	109	73	24	20	21.5	91	96	42	9	1300	400	45		
150651-C1	EPR.120-PF-AE-V0-C1	120	95	28.5	24	26.5	94	103	58	11	1000	250	58		



Lift & Pull handles