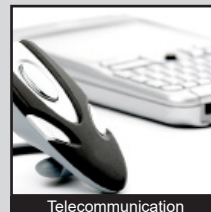
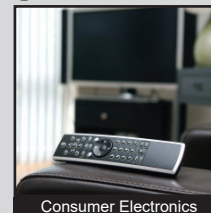
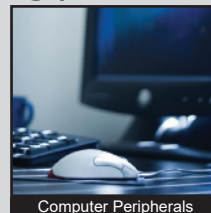
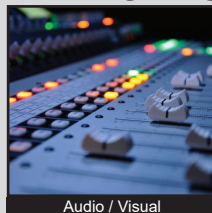


TL6200 SERIES TACT SWITCH

ANTI-VANDAL SWITCHES
 DETECTOR SWITCHES
 DIP SWITCHES
 KEYLOCK SWITCHES
 NAVIGATION SWITCHES
 PUSHBUTTON SWITCHES
 ROCKER SWITCHES
 ROTARY SWITCHES
 SLIDE SWITCHES
 SNAP ACTION SWITCHES
TACTILE SWITCHES
 TOGGLE SWITCHES
 CAP OPTIONS



APPLICATIONS / MARKETS



RoHS

SPECIFICATIONS

Electrical Rating: 50mA @ 24VDC
Life Expectancy: 10,000,000 Cycles
Contact Resistance: 30mΩ Max. (initial)
Insulation Resistance: 10 MΩ Min.
Dielectric Strength: 250VAC for 1 min.
Operating Temperature: -40°C to 160°C
Storage Temperature: -40°C to 160°C
Operating Force: 300 gf
Travel: 1.0mm
Contact Arrangement: SPST
Moisture Protection: IP67

FEATURES & BENEFITS

- SMT and Thru Hole Termination Options
- IP67 rated
- Long Life - 10M cycles
- Multiple actuator lengths

PART NUMBER CONFIGURATOR

Series	Model	Actuator "L" Dimensions	Actuator Color	Operating Force	Contact Material	Termination Options
<input type="text" value="TL"/>	<input type="text" value="6200"/>	<input type="text" value="A"/> A - 6.4mm B - 8.0mm C - 9.5mm D - 10.4mm E - 11.0mm F - 12.0mm G - 15.0mm	<input type="text" value="B"/> B - Black W - White	<input type="text" value="F300"/>	<input type="text" value="Q"/> Q - Silver	<input type="text" value="G"/> G - Gullwing P - Thru Hole

NOTE: Caps for actuator options "B" thru "G" are shipped separately from the base switch and assembled by the customer after the base switch is soldered to the PC board.

Specifications subject to change without notice 9.13.2022



E-SWITCH®

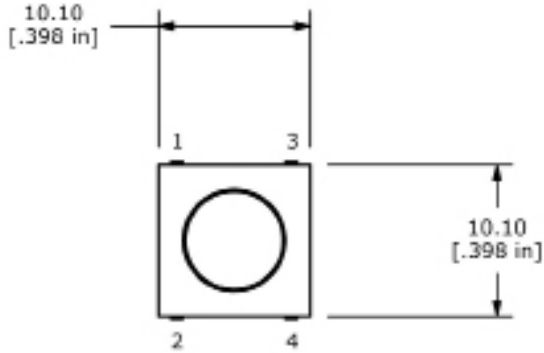
www.e-switch.com

800.867.2717

1

TL6200 SERIES TACT SWITCH

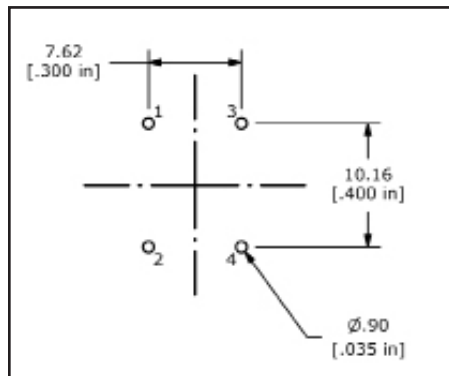
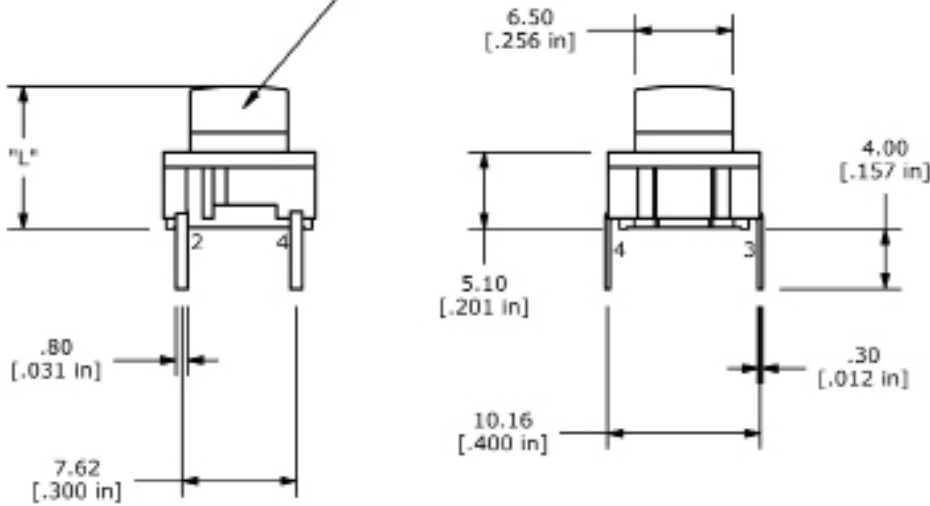
THRUHOLEDIMENSIONS



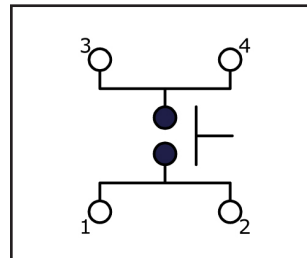
ACTUATOR OPTION	"L" DIMENSION
A	6.4
B	8.0
C	9.5
D	10.4
E	11.0
F	12.0
G	15.0

ACTUATOR CHART

FOR ACTUATOR OPTIONS B THRU G, THE ACTUATOR WILL BE SHIPPED SEPARATELY



THRU HOLE PCB LAYOUT



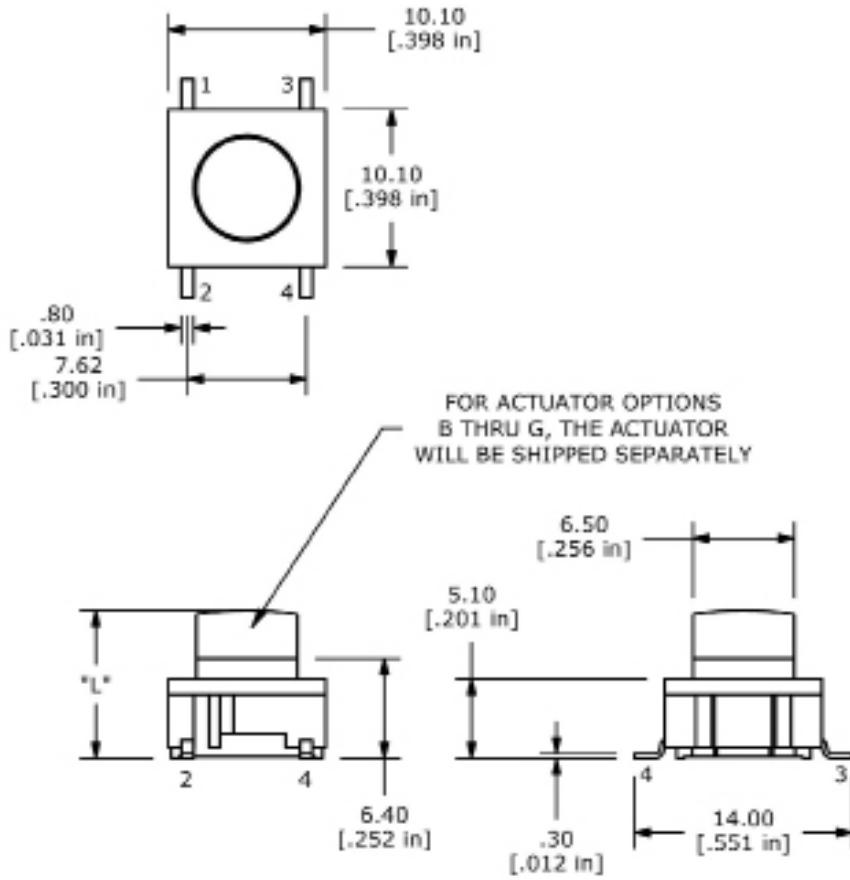
THRUHOLESCHEMATIC



ANTI-VANDAL SWITCHES
 DETECTOR SWITCHES
 DIP SWITCHES
 KEYLOCK SWITCHES
 NAVIGATION SWITCHES
 PUSHBUTTON SWITCHES
 ROCKER SWITCHES
 ROTARY SWITCHES
 SLIDE SWITCHES
 SNAP ACTION SWITCHES
TACTILE SWITCHES
 TOGGLE SWITCHES
 CAP OPTIONS

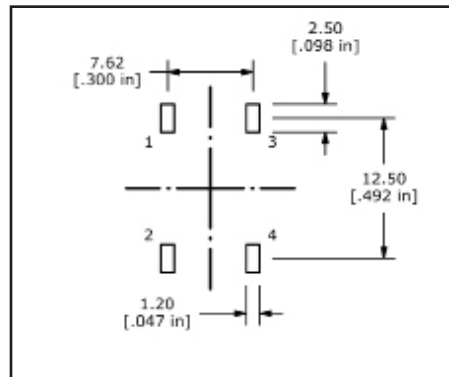
TL6200 SERIES TACT SWITCH

SMT DIMENSIONS

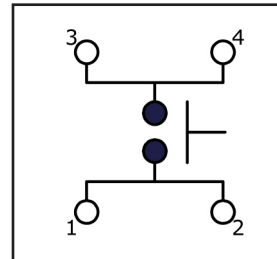


ACTUATOR OPTION	"L" DIMENSION
A	6.4
B	8.0
C	9.5
D	10.4
E	11.0
F	12.0
G	15.0

ACTUATOR CHART



SMT PCB LAYOUT



SMT SCHEMATIC

