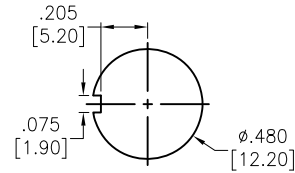
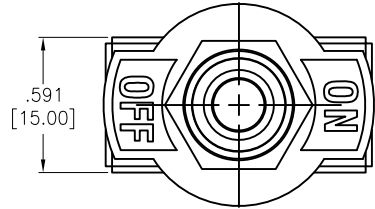
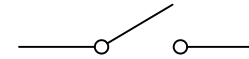


APPROVED: \_\_\_\_\_  
 DATE: \_\_\_\_\_ TITLE: \_\_\_\_\_

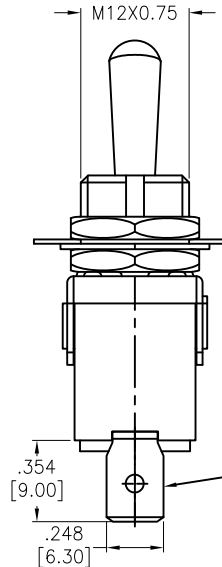
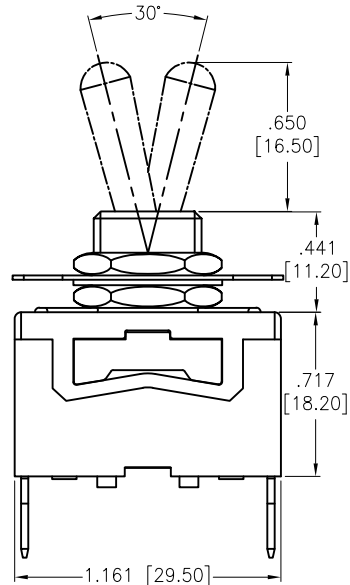
Rev	AWO #	Description	Date	Appr
-		RELEASED	11/11/20	
A		UPDATE SPEC.	8/10/21	WX/RC
B		UPDATE SPEC.	10/19/21	JJ/RC
C		UPDATED DRAWING	6/21/22	JJ/MC
D		UPDATED COLOR	11/22/22	LH/LL1



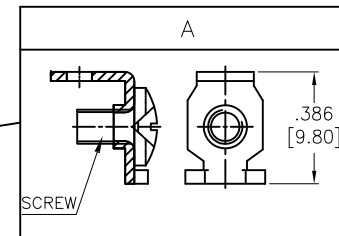
RECOMMENDED  
 PANEL CUT-OUT



CIRCUIT DIAGRAM  
 (SPST)



SW-T1-1X-D-K1  
 A=ON-OFF  
 C=OFF-(ON)



SPECIFICATIONS:

Material:  
 Body: Bakelite, Color: Red Brown  $\Delta$   
 Lever: Brass, Nickel plated  
 Terminal: Brass, Silver plated  
 Electrical:  
 Rating: 10A @ 125V AC  
 6A @ 250V AC

Contact resistance: 50 m $\Omega$  max  
 Insulation resistance: 1000 M $\Omega$  min (500VDC)  
 Dielectric withstanding voltage: 1500V AC for 1 minute  
 Electrical Life: 10,000 cycles  
 Temperature Rating:  
 Operating temperature: -25°C to +85°C

Environmental:  
 Lead free, RoHS compliant

UNLESS OTHERWISE SPECIFIED ALL DIMENSIONS  
 ARE INCHES [MM]. TOLERANCES: EXCEPT AS NOTED

INCHES		HOLES	
.X	$\pm .10$	$\phi$ X	$\pm .10$
.XX	$\pm .020$	$\phi$ .XX	$\pm .015$
.XXX	$\pm .015$	$\phi$ .XXX	$\pm .010$

DRAWN	OW	11/11/20
CHECKED	AC	11/11/20
APPROVED		

THIS DRAWING CONTAINS INFORMATION THAT IS PROPRIETARY  
 AND SHOULD NOT BE USED WITHOUT PRIOR WRITTEN  
 PERMISSION FROM ADAM TECH

**ADAM  
 TECH**

909 Rahway Avenue,  
 Union, NJ 07083  
 Phone: 908-687-5000  
 Fax: 908-687-5710

TITLE SWITCH, TOGGLE MEDIUM, SPST,  
 ON-OFF, OFF-(ON), SCREW LUG

SIZE X PART NO. SW-T1-1X-D-K1 REV. D

REF: S00206C SCALE: NTS SHEET 1 OF 1