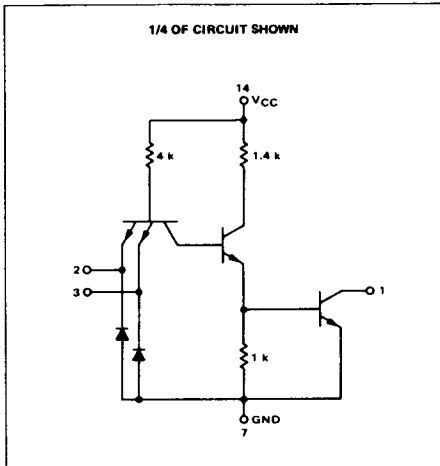


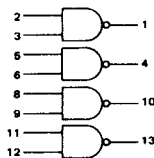
QUAD 2-INPUT "NAND" GATE
WITH OPEN COLLECTOR

MTTL MC7400P series
MTTL MC5400L/7400L series

MC5401L*
MC7401P,L*



This device consists of four 2-input NAND gates with no output pullup circuits. It can be used where the Wired-OR function is required, or for driving discrete components.



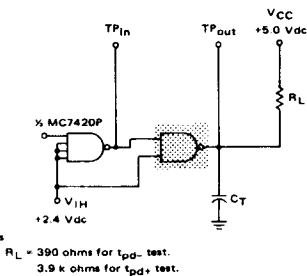
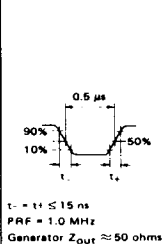
Positive Logic: $1 = \overline{2 \cdot 3}$
Negative Logic: $1 = 2 \cdot 3$

Input Loading Factor = 1
Output Loading Factor = 10

Total Power Dissipation = 40 mW typ/pkg
Propagation Delay Time = 35 ns typ

* L suffix = TO-116 ceramic package (Case 632)
P suffix = TO-116 plastic package (Case 606)
See General Information section for package outline dimensions.

VOLTAGE WAVEFORMS AND DEFINITIONS



$C_T = 15 \text{ pF}$ = total parasitic capacitance, which includes probe, wiring, and load capacitances.

High Impedance probes ($>1.0 \text{ megohm}$) must be used for tests.

SWITCHING TIME TEST CIRCUIT

