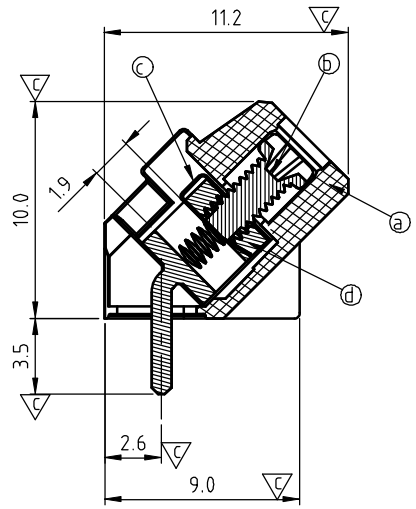
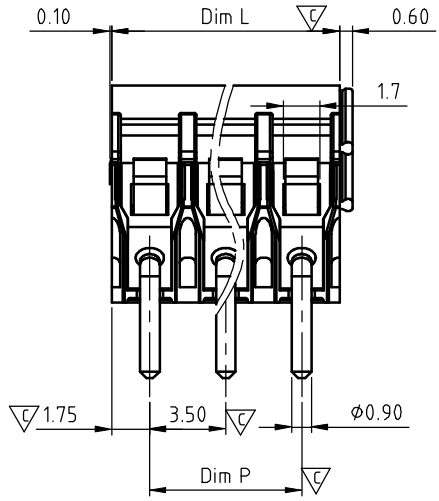
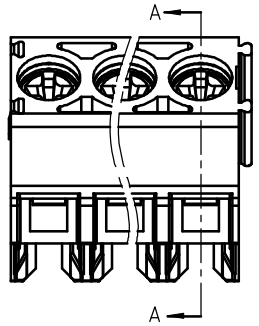
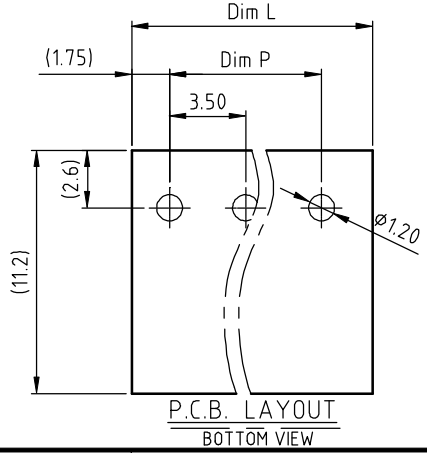


SIGN	DATE	DESCRIPTION	APPROVER
△	10/29 13	Update the drawing	Guoxue
THIS IS CAD DRAWING, DO NOT REVISE MANUALLY!!			



SECTION A-A



N = Number of poles
 Dim L = N x 3.5
 Dim P = (N - 1) x 3.5

Poles	Dim.	Dim L	Dim P
2-6p		±0.15	±0.10
7-12p		±0.20	±0.15
13-18p		±0.25	±0.20
19-24p		±0.30	±0.25

Materials
 Item ① Terminal body: Thermoplastic (UL 94V-0)
 Item ② Terminal screw: Steel Zinc plating "+/-" slot type
 Item ③ Wire guard: Stainless steel
 Item ④ Clamp: Brass (CuZn) Tin Plated

Electrical cULus
 ● Voltage rating: 300VAC
 ● Current rating: 10A
 ● Wire range:
 ● Solid wire (AWG): 16-26
 ● Stranded wire (AWG): 16-26
 △ ● Torque (Lb-In): 1.1
 ● Screw: M2.0
 ● Wire strip length: 4-5mm
 ● Withstanding Voltage: 1.6KV
 ● Operating temperature: -40°C to +15°C
 △ ● Soldering temperature: 260°C ± 5°C / 5 Sec
 △ ● Safety Approval: US
 ● Critical dimension:

△ **KZ xx 10 x 0 xxxx G** RoHS compliant (Lead < 4%) In copper Alloy

End stackable
 02 2 POLES
 03 3 POLES
 ...
 24 24 POLES

COLOR
 0 Black (RAL9005)
 2 Red (RAL3001/D)
 3 Orange (RAL2011/P)
 4 Yellow (RAL1018/A)
 5 Green (RAL6018/T)
 6 Blue (RAL5015/A)
 8 Grey (RAL7035/D)
 C Green (RAL6018/U)

0000: "@ " Logo (Standard)
 000A: "ANYTEK" Mark
 Any special item by customer request. please contact sales department.

ANYTEK		INSPECTION COPY			
		ALL RIGHTS RESERVED. REPRODUCTION OR ISSUE TO THIRD PARTIES IN ANY FORM WHATSOEVER IS NOT PERMITTED WITHOUT WRITTEN AUTHORITY FROM THE PROPRIETOR. PROPERTY OF ANYTEK TECHNOLOGY CO., LTD			
TITLE	KZ 3.5 Series (" +/- "Screw & Square hole)				
PART NO.	KZxx10x0xxxxG	DWG NO.	8KZ0001		
APPROVED	CHECKED	DESIGNED	DRAWN	CUST NO.	Tolerance
		Guoxue 2013.10.29	Guoxue 2013.10.29		X. ±0.5 X.X ±0.3 X.XX ±0.1 X° ±1°
				SHEET: 01/01	UNIT: mm SCALE: NONE REV.: C