



Capacitor contactor, AC-6b 16.7 kVAR, / 400 V 1 NO + 2 NC, 24 V DC 3-pole, Size S0 screw terminal

product brand name	SIRIUS
product designation	capacitor contactors
product type designation	3RT26
General technical data	
size of contactor	S0
product extension auxiliary switch	No
insulation voltage	
• of main circuit with degree of pollution 3 rated value	690 V
• of auxiliary circuit with degree of pollution 3 rated value	690 V
surge voltage resistance	
• of main circuit rated value	6 kV
• of auxiliary circuit rated value	6 kV
maximum permissible voltage for safe isolation between coil and main contacts according to EN 60947-1	400 V
shock resistance at rectangular impulse	
• at DC	10g / 5 ms, 7,5g / 10 ms
shock resistance with sine pulse	
• at DC	15g / 5 ms, 10g / 10 ms
mechanical service life (switching cycles)	
• of the contactor with added auxiliary switch block typical	3 000 000
electrical endurance (switching cycles)	200 000
reference code according to IEC 81346-2	Q
Substance Prohibitance (Date)	05/01/2014
Ambient conditions	
installation altitude at height above sea level maximum	2 000 m
ambient temperature	
• during operation	-25 ... +60 °C
• during storage	-55 ... +80 °C
relative humidity minimum	10 %
relative humidity at 55 °C according to IEC 60068-2-30 maximum	95 %
Main circuit	
number of NO contacts for main contacts	3
number of NC contacts for main contacts	0
operational current at AC-6b at 690 V at ambient temperature 60 °C rated value	24 A
operating reactive power at AC-6b	
• at 230 V at 50/60 Hz at ambient temperature 60 °C rated value	3 ... 9.6 kvar

<ul style="list-style-type: none"> at 400 V at 50/60 Hz at ambient temperature 60 °C rated value 	6 ... 16.7 kvar
<ul style="list-style-type: none"> at 500 V at 50/60 Hz at ambient temperature 60 °C rated value 	7 ... 21 kvar
<ul style="list-style-type: none"> at 690 V at 50/60 Hz at ambient temperature 60 °C rated value 	10 ... 29 kvar
no-load switching frequency	
<ul style="list-style-type: none"> at DC 	500 1/h
operating frequency at AC-6b	
<ul style="list-style-type: none"> at 230 V maximum 	180 1/h
<ul style="list-style-type: none"> at 240 V maximum 	180 1/h
<ul style="list-style-type: none"> at 400 V maximum 	180 1/h
<ul style="list-style-type: none"> at 480 V maximum 	180 1/h
<ul style="list-style-type: none"> at 500 V maximum 	180 1/h
<ul style="list-style-type: none"> at 600 V maximum 	180 1/h
<ul style="list-style-type: none"> at 690 V maximum 	150 1/h
Control circuit/ Control	
type of voltage	DC
type of voltage of the control supply voltage	DC
control supply voltage at DC	
<ul style="list-style-type: none"> rated value 	24 V
operating range factor control supply voltage rated value of magnet coil at DC	
<ul style="list-style-type: none"> initial value 	0.8
<ul style="list-style-type: none"> full-scale value 	1.1
closing power of magnet coil at DC	5.9 W
holding power of magnet coil at DC	5.9 W
closing delay	
<ul style="list-style-type: none"> at DC 	50 ... 170 ms
opening delay	
<ul style="list-style-type: none"> at DC 	15 ... 18 ms
arcing time	10 ... 10 ms
control version of the switch operating mechanism	Standard A1 - A2
residual current of the electronics for control with signal <0>	
<ul style="list-style-type: none"> at DC at 24 V maximum permissible 	16 mA
Auxiliary circuit	
number of NC contacts for auxiliary contacts	2
<ul style="list-style-type: none"> attachable 	0
<ul style="list-style-type: none"> instantaneous contact 	2
number of NO contacts for auxiliary contacts	1
<ul style="list-style-type: none"> attachable 	0
<ul style="list-style-type: none"> instantaneous contact 	1
operational current of auxiliary contacts at AC-12 maximum	10 A
operational current of auxiliary contacts at AC-15	
<ul style="list-style-type: none"> at 230 V 	6 A
<ul style="list-style-type: none"> at 400 V 	3 A
operational current of auxiliary contacts at DC-13	
<ul style="list-style-type: none"> at 24 V 	6 A
<ul style="list-style-type: none"> at 60 V 	2 A
<ul style="list-style-type: none"> at 110 V 	1 A
<ul style="list-style-type: none"> at 125 V 	0.9 A
<ul style="list-style-type: none"> at 220 V 	0.3 A
contact reliability of auxiliary contacts	0.00000001
UL/CSA ratings	
contact rating of auxiliary contacts according to UL	A600 / Q600
Short-circuit protection	
design of the fuse link	
<ul style="list-style-type: none"> for short-circuit protection of the main circuit with type of coordination 1 required 	gG: 50 A (690 V, 50 kA)

- for short-circuit protection of the auxiliary switch required

gG: 10 A (500 V, 1 kA)

Installation/ mounting/ dimensions

mounting position	+/-180° rotation possible on vertical mounting surface; can be tilted forward and backward by +/- 22.5° on vertical mounting surface
fastening method	screw and snap-on mounting onto 35 mm standard mounting rail according to DIN EN 50022
height	135 mm
width	45 mm
depth	165 mm
required spacing	
<ul style="list-style-type: none"> • with side-by-side mounting at the side • for grounded parts at the side 	<p>10 mm</p> <p>10 mm</p>

Connections/ Terminals

type of electrical connection	
<ul style="list-style-type: none"> • for main current circuit • for auxiliary and control circuit • at contactor for auxiliary contacts • of magnet coil 	<p>screw-type terminals</p> <p>screw-type terminals</p> <p>Screw-type terminals</p> <p>Screw-type terminals</p>
type of connectable conductor cross-sections	
<ul style="list-style-type: none"> • for main contacts <ul style="list-style-type: none"> — solid — stranded — solid or stranded — finely stranded with core end processing • at AWG cables for main contacts 	<p>2x (1 ... 2.5 mm²), 2x (2.5 ... 10 mm²)</p> <p>2x (1 ... 2.5 mm²), 2x (2.5 ... 10 mm²)</p> <p>2x (1 ... 2.5 mm²), 2x (2.5 ... 10 mm²)</p> <p>2x (1 ... 2.5 mm²), 2x (2.5 ... 6 mm²), 1x 10 mm²</p> <p>2x (16 ... 12), 2x (14 ... 8)</p>
type of connectable conductor cross-sections	
<ul style="list-style-type: none"> • for auxiliary contacts <ul style="list-style-type: none"> — solid — solid or stranded — finely stranded with core end processing • at AWG cables for auxiliary contacts 	<p>2x (0.5 ... 1.5 mm²), 2x (0.75 ... 2.5 mm²), 2x 4 mm²</p> <p>2x (0.5 ... 1.5 mm²), 2x (0.75 ... 2.5 mm²), 2x 4 mm²</p> <p>2x (0.5 ... 1.5 mm²), 2x (0.75 ... 2.5 mm²)</p> <p>2x (20 ... 16), 2x (18 ... 14), 2x 12</p>
type of minimum connectable cross-section for main contacts at AC-6b	
<ul style="list-style-type: none"> • at 40 °C • at 60 °C 	<p>1x 6 mm²</p> <p>1x 10 mm², 2x 6 mm²</p>
AWG number as coded connectable conductor cross section for main contacts	16 ... 8

Safety related data

product function	
<ul style="list-style-type: none"> • mirror contact according to IEC 60947-4-1 • positively driven operation according to IEC 60947-5-1 	<p>No</p> <p>No</p>
protection class IP on the front according to IEC 60529	IP20
touch protection on the front according to IEC 60529	finger-safe, for vertical contact from the front

Certificates/ approvals

General Product Approval	EMC
---------------------------------	-----



[Confirmation](#)



Declaration of Conformity	Test Certificates	Marine / Shipping	other
----------------------------------	--------------------------	--------------------------	--------------



EG-Konf.

[Type Test Certificates/Test Report](#)



[Confirmation](#)

other

Dangerous Good



[Transport Information](#)

Further information

Information- and Downloadcenter (Catalogs, Brochures,...)

<https://www.siemens.com/ic10>

Industry Mall (Online ordering system)

<https://mall.industry.siemens.com/mall/en/en/Catalog/product?mlfb=3RT2625-1BB45>

Cax online generator

<http://support.automation.siemens.com/WW/CAXorder/default.aspx?lang=en&mlfb=3RT2625-1BB45>

Service&Support (Manuals, Certificates, Characteristics, FAQs,...)

<https://support.industry.siemens.com/cs/ww/en/ps/3RT2625-1BB45>

Image database (product images, 2D dimension drawings, 3D models, device circuit diagrams, EPLAN macros, ...)

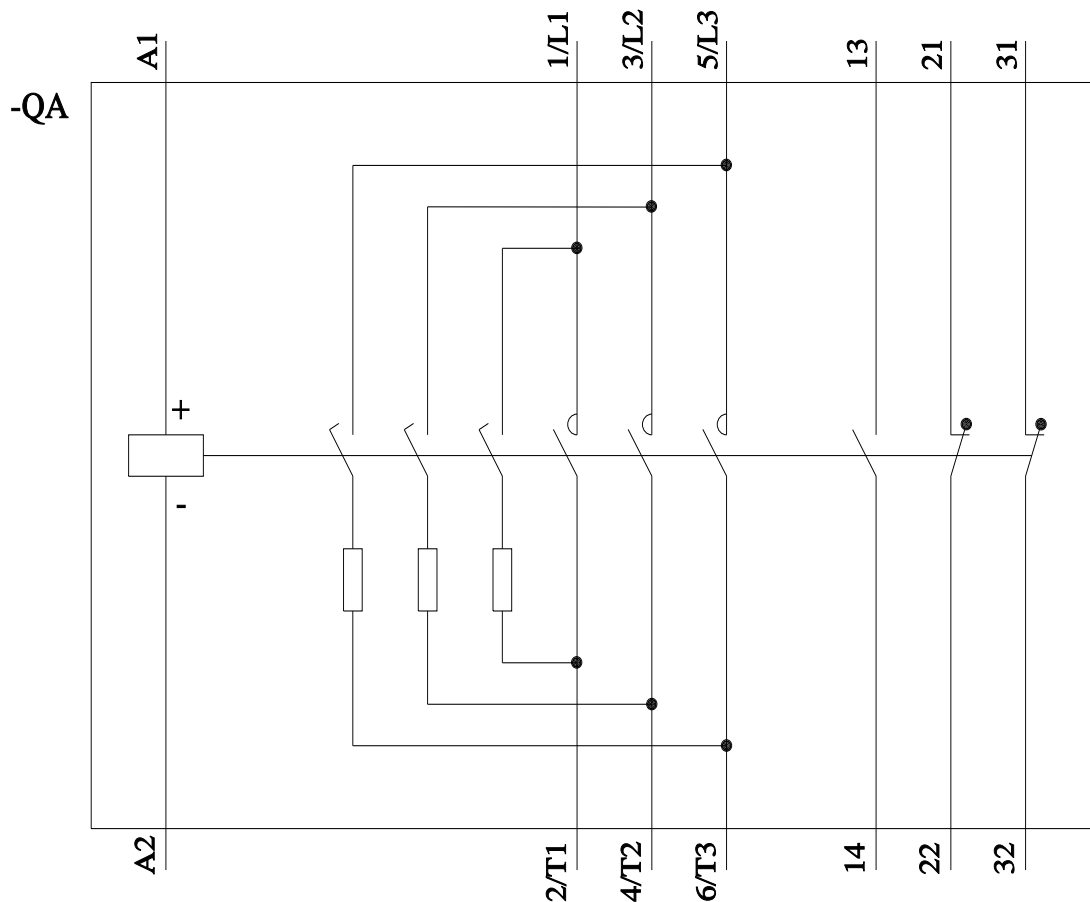
http://www.automation.siemens.com/bilddb/cax_de.aspx?mlfb=3RT2625-1BB45&lang=en

Characteristic: Tripping characteristics, I²t, Let-through current

<https://support.industry.siemens.com/cs/ww/en/ps/3RT2625-1BB45/char>

Further characteristics (e.g. electrical endurance, switching frequency)

<http://www.automation.siemens.com/bilddb/index.aspx?view=Search&mlfb=3RT2625-1BB45&objecttype=14&gridview=view1>



last modified:

12/8/2021