

**NOTES:**

- ① MAT'L: COPPER (STOCK TRN.  $\frac{.040}{1.02}$ )  
PLATING: ELECTRO TIN (.0003 MIN)
- ② TIN-PLATED BRASS FUNNEL: FERRULE

$\pm .001$

FILE NO. C-CD-401-01

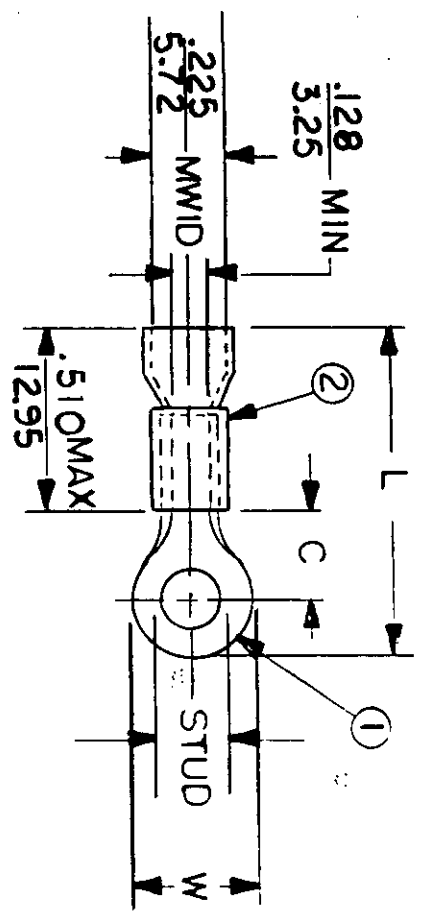
STUD SIZES: ( $\pm .005$ )

02 = .094	413 = 413
04 = .119	76 = 453
06 = .146	12 = 515
08 = .173	
10 = .198	
14 = .265	
56 = .328	
38 = .390	
209 = .209	

"UL" LISTING # E32244  
"CSA" LISTING # 18689

WIRE SIZE: 12-10AWG  
4.0-6.0 MM<sup>2</sup>

ALL DIMENSIONS =  $\frac{\text{INCHES}}{\text{MM}}$  (MWID) DENOTES MAXIMUM WIRE INSULATION DIAMETER



PART NUMBER	"W" $\pm .010$	"C" MIN.	"L" MAX.	REFERENCE	SCALE:	NTS	DATE	TITLE:	DWG. NO.	A	CUSTOMER DWG
C-401-	.750	.611	1.531								
C-428-	.375	.303	1.036								
C-430-	.530	.393	1.203								
C-436-	.282	.306	.992								
C-440-	.592	.468	1.307								
DIMENSIONAL TOLERANCES UNLESS OTHERWISE SPECIFIED		REFERENCE		SCALE:		DATE		TITLE:			
FRAC. DEC. ANG.		DRAWN BY: JJ		NTS		11-19-84		RING TONGUE TERMINAL VIBRAKRIMP 400-SERIES			
$\pm$		CHKD. BY: GZ				11-26-84					
		APPRD. BY:									

