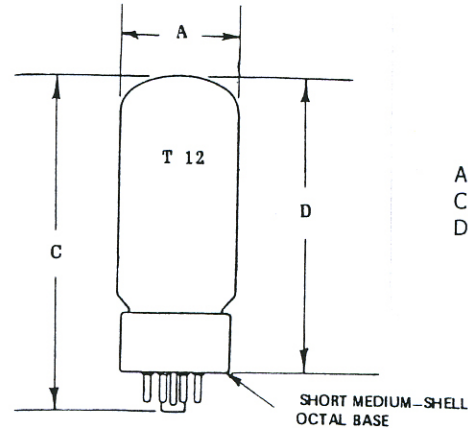
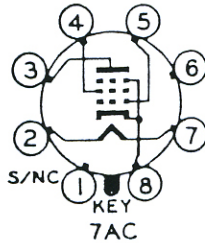


TUNG-SOL 6L6GC-STR

The 6L6GC-STR is a beam-power tetrode primarily designed for use in audio-frequency power amplifier applications. The 6L6GC-STR has ruggedized construction making it especially suitable for use in musical instrument amplifiers.



A= 1 3/8 in.
C= 3 3/4 in.
D= 3 1/4 in.

General Characteristics

	min	typ	max	
Heater Voltage (AC or DC)	5.7	6.3	6.9	V
Heater Current @6.3V		0.9		A
Cathode:	oxide-coated, unipotential			
Cathode-to-heater potential			±200	V
Direct interelectrode capacitances :				
Grid no. 1 to plate			0.6	pF
Grid no. 1 to cathode, heater, grid no. 2, and beam forming plates			10	pF
Plate to cathode, heater, grid no. 2, and beam forming plates			6.5	pF

Mechanical

Operating position	Any
Base	Large wafer octal 8-pin
Basing diagram	JEDEC 7AC
Cooling	Radiation and convection
Envelope temperature (max)	250 C
Nominal dimensions:	
Diameter	38.8mm (1.528 in.)
Base to top	93mm (3.605 in.)
Overall height	108mm (4.252 in.)
Diameter of base	34mm (1.339 in.)
Net weight	65 grams

Maximum ratings

DC plate voltage VP	500	V
Screen grid voltage Vg2	500	V
Plate Dissipation	30	W
Screen Grid Dissipation	5	W

Typical Operation, Class A, Audio Power Amplifier, Single Tube Connection

	tetrode	triode	
DC plate voltage	350	250	V
Screen grid voltage	250		V
Control grid bias voltage	-18	-20	V
Peak AF grid voltage	18	20	V
Zero-signal plate current	54	40	mA
Maximum-signal plate current	66	44	mA
Zero-signal screen grid current	2.5		mA
Maximum-signal screen current	7		mA
Plate resistance (approx)	33000	1700	ohms
Transconductance (approx)	5200	4700	µS
Load Resistance	4200	5000	ohms
Total harmonic distortion	15	5	%
Maximum signal power output	10.8	1.4	W

Typical Operation, Class AB₁, Audio Power Amplifier (Values for two tubes)

DC plate voltage	450	V
Screen grid voltage	400	V
Control grid bias voltage	-37	V
Peak AF grid-to-grid voltage	70	V
Zero-signal plate current	116	mA
Maximum-signal plate current	210	mA
Zero-signal screen grid current	5.6	mA
Maximum-signal screen current	22	mA
Load Resistance, plate-to-plate	5600	ohms
Total harmonic distortion	1.8	%
Maximum signal power output	55	W

NEW SENSOR CORPORATION
32-33 47TH AVE. LONG ISLAND CITY, NY 11101
PHONE: (718) 937-8300, (800) 633-5477
FAX: (718) 937-9111