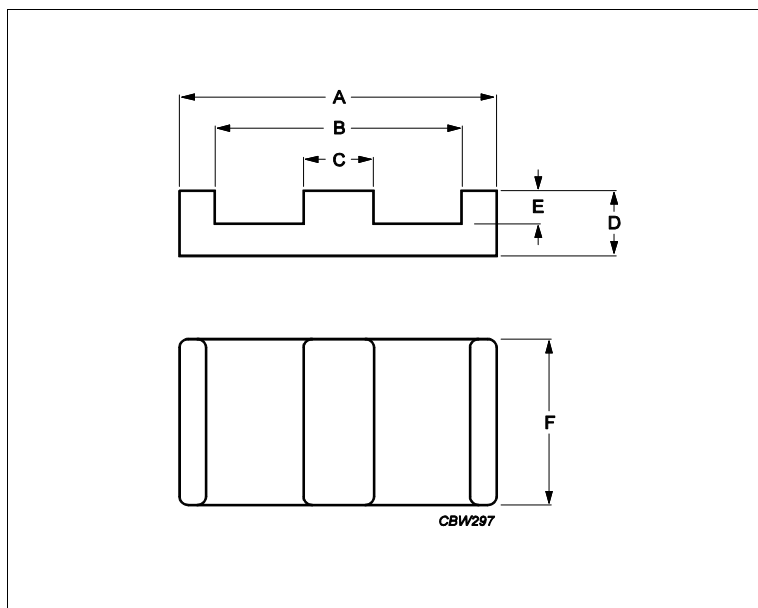
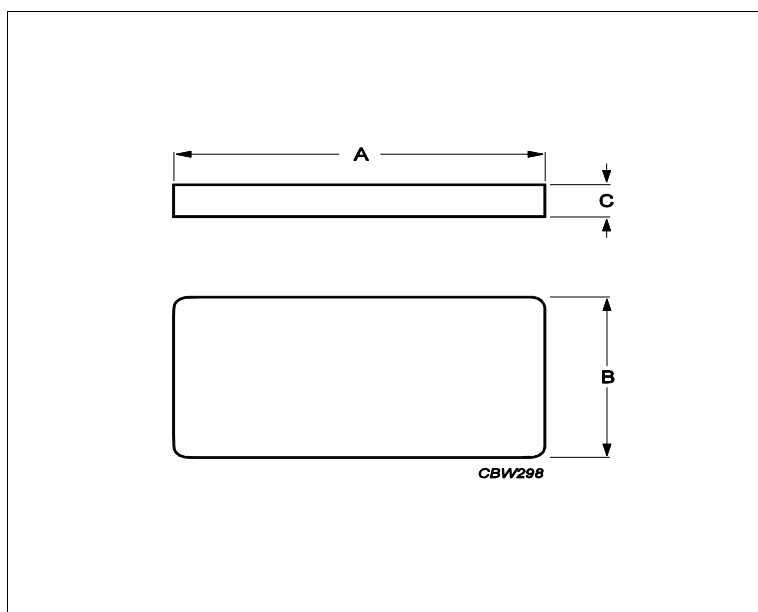


Core **E43/10/28 + PLT43/28/4.1**



Effective parameters				
	Parameter	Value	Unit	
	$\Sigma(I/A)$	core factor (C1)	0.226	mm ⁻¹
	Ve	effective volume	11500	mm ³
	Le	effective length	50.4	mm
	Ae	effective area	229	mm ²
	Amin	minimum area	229	mm ²
	m	E43/10/28	≈ 35	g/pcs
	m	PLT43/28/4.1	≈ 24	g/pcs



Dimensions for product: E43/10/28						
	Nom	Tol +	Tol -	Max	Min	Unit
A	43.20	0.90	0.90	44.10	42.30	mm
B					34.70	mm
C	8.10	0.20	0.20	8.30	7.90	mm
D	9.50	0.13	0.13	9.63	9.37	mm
E	5.40	0.13	0.13	5.53	5.27	mm
F	27.90	0.60	0.60	28.50	27.30	mm
Dimensions for product: PLT43/28/4.1						
	Nom	Tol +	Tol -	Max	Min	Unit
A	43.20	0.90	0.90	44.10	42.30	mm
B	27.90	0.60	0.60	28.50	27.30	mm

Core **E43/10/28 + PLT43/28/4.1**

Dimensions for product: PLT43/28/4.1						
	Nom	Tol +	Tol -	Max	Min	Unit
C	4.10	0.13	0.13	4.23	3.97	mm

Inductance factor					
Material	Value	Tol +	Tol -	Unit	
3C92	7460	25%	25%	nH/turns ²	
3C95	11060	25%	25%	nH/turns ²	
3C96	8700	25%	25%	nH/turns ²	
3C97	11060	25%	25%	nH/turns ²	
3F36	6100	25%	25%	nH/turns ²	
3F4	4660	25%	25%	nH/turns ²	

Power loss: 3C92				
Measuring conditions			Max	Unit
100 kHz	200 mT	100 °C	5.800	W/set

Power loss: 3C95				
Measuring conditions			Max	Unit
100 kHz	200 mT	100 °C	5.500	W/set
100 kHz	200 mT	25 °C	6.000	W/set

Power loss: 3C96				
Measuring conditions			Max	Unit
100 kHz	200 mT	100 °C	5.200	W/set
400 kHz	50 mT	100 °C	2.100	W/set

Power loss: 3C97				
Measuring conditions			Max	Unit
100 kHz	200 mT	60 °C	5.800	W/set
100 kHz	200 mT	120 °C	5.500	W/set
100 kHz	200 mT	140 °C	6.900	W/set

Power loss: 3F36				
Measuring conditions			Max	Unit
500 kHz	50 mT	100 °C	1.700	W/set
500 kHz	100 mT	100 °C	13.000	W/set

Power loss: 3F4				
Measuring conditions			Max	Unit
1000 kHz	30 mT	100 °C	3.400	W/set
3000 kHz	10 mT	100 °C	5.800	W/set

Bsat					
Measuring conditions			Material	Min	Unit
25 kHz	250 A/m	100 °C	3C92	370	mT
25 kHz	250 A/m	100 °C	3C95	330	mT
25 kHz	250 A/m	100 °C	3C96	340	mT

Core **E43/10/28 + PLT43/28/4.1**

25 kHz	250 A/m	100 °C	3C97	330	mT
25 kHz	250 A/m	100 °C	3F36	340	mT
25 kHz	250 A/m	100 °C	3F4	330	mT