

2-Wire Serial I/O Expander and Fan Controller

Features

- Provides Eight Bits of General Purpose I/O
- Built-In Fan Speed Control Logic (Optional)
- 2-Wire SMBus™/I²C™-Compatible Serial Interface plus Interrupt Output
- 2.7V to 3.6V Operating Voltage Range
- 5V-Tolerant I/O
- Low Quiescent Current: 2 μ A (Typical)
- Bit-Programmable I/O Options:
 - Input or Output
 - Push-Pull or Open-Drain Output
 - Interrupt on Input Changes
- Outputs can Directly Drive LEDs (10 mA I_{OL})
- Up to 8 Devices per Bus

Applications

- General Purpose I/O Expansion via Serial Bus
- Personal Computer System Management
- Distributed Sensing and Control
- Microcontroller I/O Expansion
- Fan Control
- Garage Door Opener and Remote
- Dip Switch Decoder

General Description

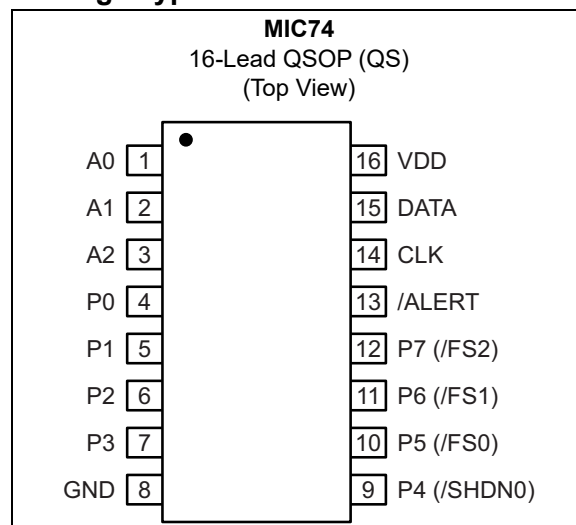
The MIC74 is a fully programmable serial-to-parallel I/O expander compatible with the SMBus™ (system management bus) protocol. It acts as a client on the bus, providing eight independent I/O lines.

Each I/O bit can be individually programmed as an input or output. If programmed as an output; each I/O bit can be programmed as an open-drain or complementary push-pull output. If desired, the four most significant I/O bits can be programmed to implement fan speed control. An internal clock generator and state machine eliminate the overhead generally associated with “bit-banging” fan speed control.

Programming the device and reading/writing the I/O bits is accomplished using seven internal registers. All registers can be read by the host. Output bits are capable of directly driving high-current loads, such as LEDs. A separate interrupt output can notify the host of state changes on the input bits without requiring the MIC74 to perform a transaction on the serial bus or be polled by the host. Three address selection inputs are provided, allowing up to eight devices to share the same bus and provide a total of 64 bits of I/O.

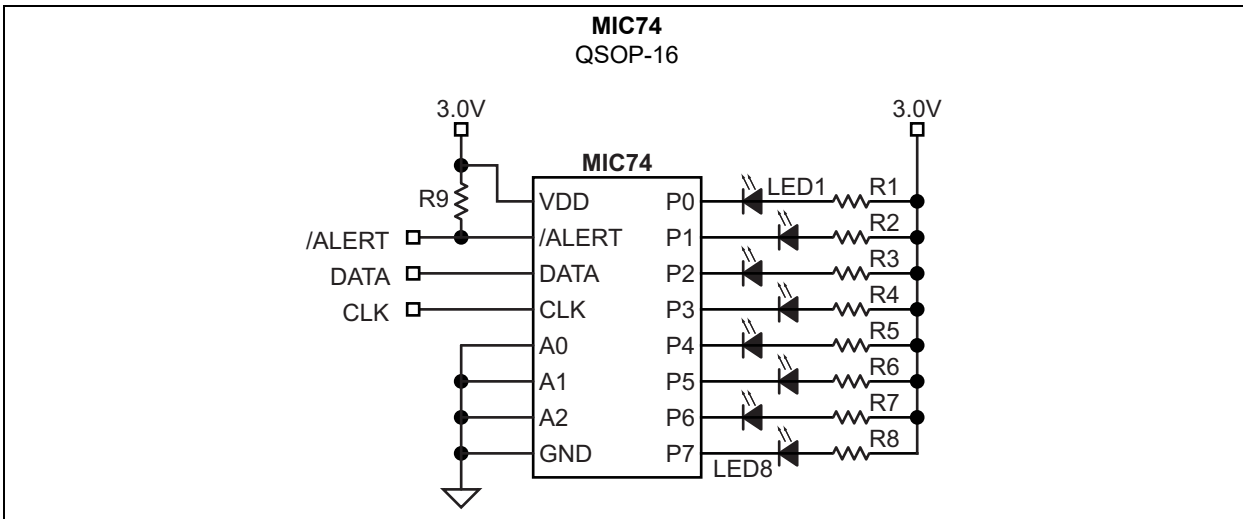
The MIC74 is available in an ultra-small-footprint 16-pin QSOP. Low quiescent current, small footprint, and low package height make the MIC74 ideal for portable and desktop applications.

Package Type

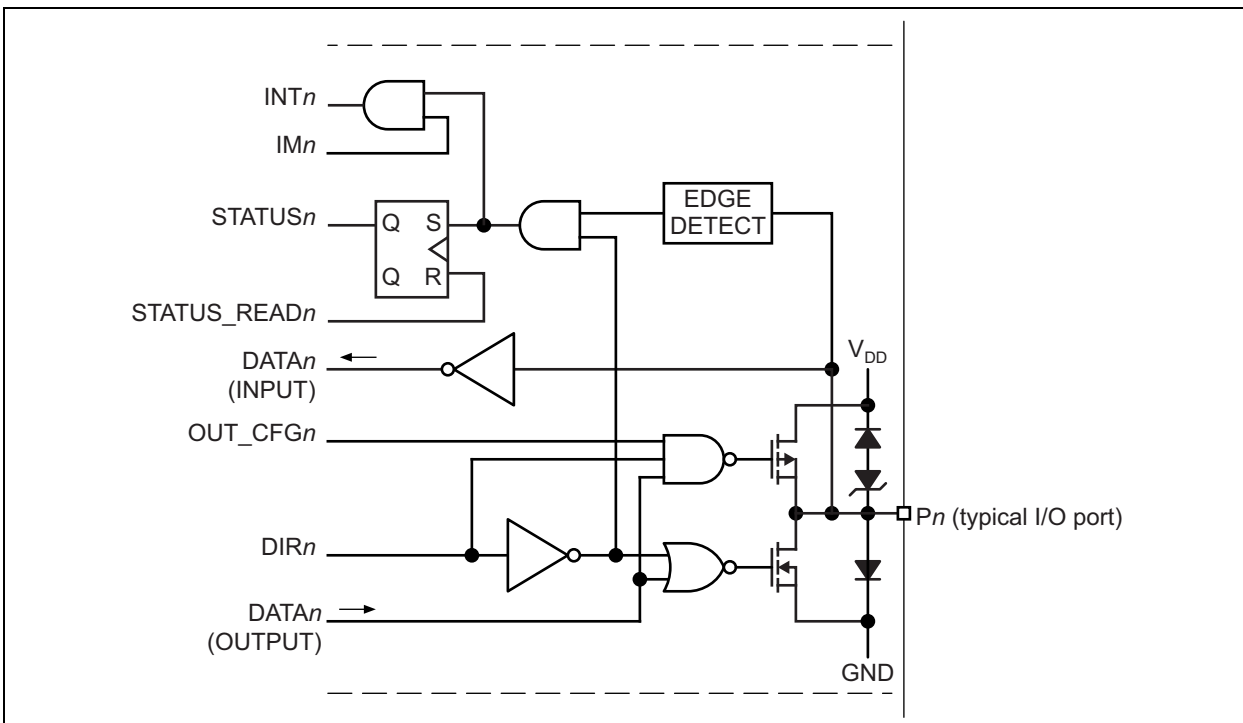


MIC74

Typical Application Circuit



Functional Block Diagram



1.0 ELECTRICAL CHARACTERISTICS

Absolute Maximum Ratings †

Supply Voltage (V_{DD})	+4.6V
Input Voltage (All pins except VDD and GND) (V_{IN})	GND – 0.3V to +5.5V
ESD Rating (VDD, Note 1)	1.5 kV
ESD Rating (A0, A1, A2, Note 1)	500V
ESD Rating (Others, Note 1)	200V

Operating Ratings ‡

Supply Voltage (V_{DD})	+2.7V to +3.6V
-----------------------------------	----------------

† **Notice:** Stresses above those listed under “Absolute Maximum Ratings” may cause permanent damage to the device. This is a stress rating only and functional operation of the device at those or any other conditions above those indicated in the operational sections of this specification is not intended. Exposure to maximum rating conditions for extended periods may affect device reliability.

‡ **Notice:** The device is not guaranteed to function outside its operating ratings.

Note 1: Devices are ESD sensitive. Handling precautions are recommended. Human body model, 1.5 k Ω in series with 100 pF.

MIC74

TABLE 1-1: ELECTRICAL CHARACTERISTICS

Electrical Characteristics: $2.7V \leq V_{DD} \leq 3.6V$; $T_A = +25^\circ C$. **Bold** values indicate $-40^\circ C < T_A < +85^\circ C$, unless noted.

[Note 1](#)

Parameters	Symbol	Min.	Typ.	Max.	Units	Conditions
Input Voltage (any pin except VDD and GND)	V_{IN}	GND – 0.3	—	5.5	V	—
Operating Supply Current	I_{DD}	—	2	6	μA	P[7:0] inputs; P[7:0] = V_{DD} or GND; /ALERT open; $f_{CLK} = 100$ kHz
Fan Startup Supply Current (Fan Mode Only)	I_{START}	—	—	1.75	mA	During t_{START} : /ALERT, /SHDN, /FS2[2:0] = open; $V_{CLK} = V_{DATA} = V_{DD}$; P[3:0] = inputs
Standby Supply Current	I_{STBY}	—	1	3	μA	/ALERT = open, $V_{CLK} = V_{DATA} = V_{DD}$; P[3:0] = inputs
Serial I/O (DATA, CLK)						
Input Low Voltage	V_{IL}	-0.3	—	0.8	V	—
Input High Voltage	V_{IH}	2	—	5.5	V	—
Output Low Voltage	V_{OL}	—	—	0.4	V	$I_{OL} = 3$ mA
Leakage Current	I_{LEAK}	-1	—	1	μA	$V_{IN} = 5.5V$ or GND
Input Capacitance	C_{IN}	—	10	—	pF	—
Parallel I/O [P0–P3, P4(/SHDN), P5(/FS0)–P7(/FS2)]						
Input Low Voltage	V_{IL}	-0.5	—	0.8	V	—
Input High Voltage	V_{IH}	2	—	5.5	V	—
Output Low Current	I_{OL}	7	—	—	mA	$V_{OL} = 0.4V, V_{DD} = 2.7V$
		10	—	—		$V_{OL} = 1.0V, V_{DD} = 3.3V$
Output High Current	I_{OH}	7	—	—	mA	$V_{OH} = 2.4V$
Leakage Current	I_{LEAK}	-1	—	1	μA	$V_{IN} = 5.5V$ or GND
Input Capacitance	C_{IN}	—	10	—	pF	—
Output Capacitance	C_{OUT}	—	10	—	pF	—
Address Input (A0–A2)						
Input Low Voltage	V_{IL}	-0.3	—	$0.3V_{DD}$	V	—
Input High Voltage	V_{IH}	$0.7V_{DD}$	—	$V_{DD} + 0.3$	V	—
Leakage Current	I_{LEAK}	-250	—	250	nA	$V_{IN} = V_{DD}$ or GND
/ALERT						
Output Low Voltage	V_{OL}	—	—	0.4	V	$I_{OL} = 1$ mA
Leakage Current	I_{LEAK}	-1	± 250	1	μA	$V_{IN} = V_{DD}$ or V_{SS}
AC Characteristics						
Fan Startup Interval	t_{START}	0.5	1	3.3	sec.	Normal operation
Minimum Pulse Width	t_{PULSE}	10	—	—	ns	Minimum pulse width on Pn to generate an interrupt, Note 5

TABLE 1-1: ELECTRICAL CHARACTERISTICS (CONTINUED)

Electrical Characteristics: $2.7V \leq V_{DD} \leq 3.6V$; $T_A = +25^\circ C$. **Bold** values indicate $-40^\circ C < T_A < +85^\circ C$, unless noted.
[Note 1](#)

Parameters	Symbol	Min.	Typ.	Max.	Units	Conditions
Interrupt Delay	$t_{/INT}$	—	—	4	μs	Interrupt delay from state change on Pn to /ALERT $\leq V_{OL}$, Note 5
Delay from Status Read or ARA Response to /ALERT $\geq V_{OH}$	$t_{/IR}$	—	—	4	μs	—
Hold Time, Note 5	$t_{HD:STA}$	4	—	—	μs	Hold time after repeated start condition; after this period, the first clock is generated.
Setup Time, Note 5	$t_{SU:STA}$	4.7	—	—	μs	Repeated start condition setup time
Stop Condition Setup Time	$t_{SU:STO}$	4	—	—	μs	Note 5
Data Hold Time	$t_{HD:DAT}$	500	—	—	ns	Note 5
Data Setup Time	$t_{SU:DAT}$	0	—	—	ns	Note 5
Clock Low Timeout	$t_{TIMEOUT}$	25	35	—	ms	Note 2 , Note 5
Clock Low Period	t_{LOW}	4.7	—	—	μs	Note 3 , Note 5
Clock High Period	t_{HIGH}	4	50	—	μs	Note 3 , Note 5
Clock/Data Fall Time	t_F	—	300	—	ns	Note 4 , Note 5
Clock/Data Rise Time	t_R	—	1000	—	ns	Note 4 , Note 5
Bus Free Time between Stop and Start Condition	t_{BUF}	4.7	—	—	μs	Note 5

Note 1: Specification for packaged product only.

2: Devices participating in a transfer will timeout when any clock low exceeds the value of $t_{TIMEOUT(min)}$ of 25 ms. Devices that have detected a timeout condition must reset the communication no later than $t_{TIMEOUT(max)}$ of 35 ms. The maximum value specified must be adhered to by both a host and a client as it incorporates the cumulative stretch limit for both a host (10 ms) and a client (25 ms).

3: $t_{HIGH(max)}$ provides a simple guaranteed method for devices to detect bus idle conditions.

4: Rise and fall time is defined as follows: $t_R = V_{IL(max)} - 0.15V$ to $V_{IH(min)} + 0.15V$; $t_F = 0.9V_{DD}$ to $V_{IL(max)} - 0.15V$.

5: Guaranteed by design.

MIC74

TEMPERATURE SPECIFICATIONS (Note 1)

Parameters	Sym.	Min.	Typ.	Max.	Units	Conditions
Temperature Ranges						
Maximum Junction Temperature	T_J	—	—	+150	°C	—
Ambient Temperature Range	T_A	-40	—	+85	°C	—
Lead Temperature Soldering	—	—	—	+260	°C	Soldering, 10 sec.
Package Thermal Resistances						
QSOP-16	θ_{JA}	—	163	—	°C/W	—

Note 1: The maximum allowable power dissipation is a function of ambient temperature, the maximum allowable junction temperature and the thermal resistance from junction to air (i.e., T_A , T_J , θ_{JA}). Exceeding the maximum allowable power dissipation will cause the device operating junction temperature to exceed the maximum +150°C rating. Sustained junction temperatures above +150°C can impact the device reliability.

2.0 PIN DESCRIPTIONS

The descriptions of the pins are listed in [Table 2-1](#).

TABLE 2-1: PIN FUNCTION TABLE

Pin Number	Symbol	Description
1, 2, 3	A0, A1, A2	Address (input): Client address selection inputs; sets the three least significant bits of the MIC74's client address.
4, 5, 6, 7	P0, P1, P2, P3	Parallel I/O (input/output): General-purpose I/O pin. Direction and output type are user-programmable.
8	GND	Ground
9, 10, 11, 12	P4, P5, P6, P7 (/SHDN, /FS0 /FS1, /FS2)	Parallel I/O (input/output): P4 – P7 are general-purpose I/O pins. Direction and output type are user-programmable. Shutdown (output): When the FAN bit is set, pin 9 becomes SHDN. Fan speed (output): When the FAN bit is set, pins 10 through 12 become /FS0 – /FS2 respectively, controlled by the FAN_SPEED register.
13	/ALERT	Interrupt (output): Active-low, open-drain output signals input-change-interrupts to the host on this pin. Signal is cleared when the bus host polls the ARA (alert response address = 0001 100) or reads status.
14	CLK	Serial bus clock (input): The host provides the serial bit clock in this input.
15	DATA	Serial data (input/output): Serial data input and open-drain serial data output.
16	VDD	Power supply (input).

Timing Definitions

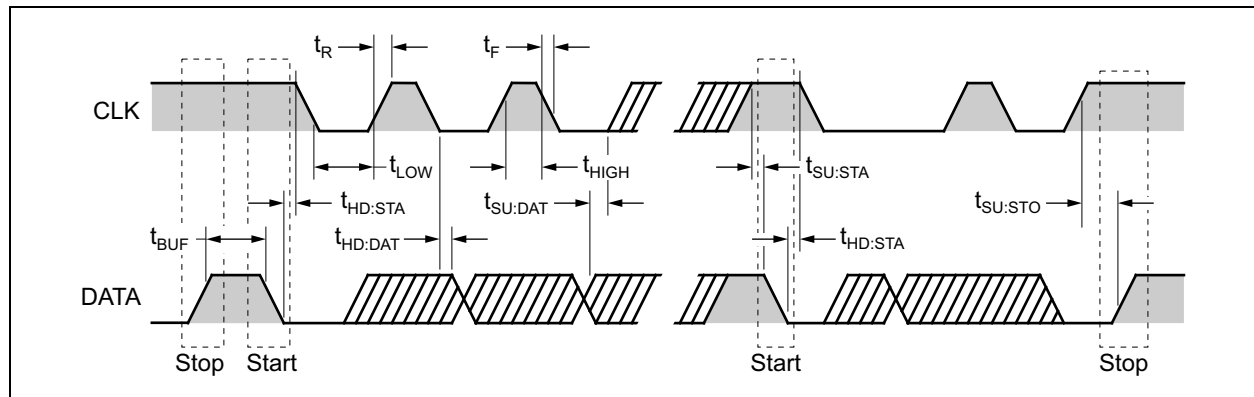


FIGURE 2-1: Timing Measurement.

3.0 REGISTER DESCRIPTIONS

TABLE 3-1: DEVICE CONFIGURATION REGISTER (DEV_CFG)

D[7]	D[6]	D[5]	D[4]	D[3]	D[2]	D[1]	D[0]
Always write as zero.						FAN	IE

Device configuration register parameters:

- Power-on default value: 0000 0000_b, 00_h
 - Interrupts disabled
 - Not in fan mode
- Command_byte address: 0000 0000_b, 00_h
- Type: 8-bits, read/write
- Bit name: IE
- Function: Global Interrupt Enable
- Operation: 1 = enabled, 0 = disabled
- Bit name: FAN
- Function: Selects fan mode (P[7:4] vs. /FS[2:0], /SHDN)
- Operation: 1 = fan mode; 0 = I/O mode
- Bit Name: D[2] through D[6]
- Function: Reserved
- Operation: Reserved; always write as zero

TABLE 3-2: DATA DIRECTION REGISTER (DIR)

D[7]	D[6]	D[5]	D[4]	D[3]	D[2]	D[1]	D[0]
DIR7	DIR6	DIR5	DIR4	DIR3	DIR2	DIR1	DIR0

Data direction register parameters:

- Power-on default value: 0000 0000_b, 00_h
 - All P_n's configured as inputs
- Command_byte address: 0000 0001_b, 01_h
- Type: 8-bits, read/write
- Bit name: DIR_n
- Function: Selects data direction, input or output, of P_n
- Operation: 1 = output; 0 = input
- **Note:** If the FAN bit of the DEV_CFG register is set to '1' (i.e., if fan mode is selected), P[7:4] are automatically configured as open-drain outputs. They are then referred to as /FS[2:0] and /SHDN. The DIR register has no effect on these I/O bits while in fan mode.

TABLE 3-3: OUTPUT CONFIGURATION REGISTER (OUT_CFG)

D[7]	D[6]	D[5]	D[4]	D[3]	D[2]	D[1]	D[0]
OUT7	OUT6	OUT5	OUT4	OUT3	OUT2	OUT1	OUT0

Output configuration register parameters:

- Power-on default value: 0000 0000_b, 00_h
 - All outputs open-drain
- Command_byte address: 0000 0010_b, 02_h
- Type: 8-bits, read/write
- Bit name: OUT_n
- Function: Selects output driver configuration of P_n when P_n is configured as an output.
- Operation: 1 = push-pull; 0 = open-drain
- **Note:** If the FAN bit of the DEV_CFG register is set to '1' (i.e., if fan mode is selected), P[7:4] are automatically configured as open-drain outputs. They are then referred to as /FS[2:0] and /SHDN. The OUT_CFG register has no effect on these I/O bits while in fan mode.

TABLE 3-4: STATUS REGISTER (STATUS)

D[7]	D[6]	D[5]	D[4]	D[3]	D[2]	D[1]	D[0]
S7	S6	S5	S4	S3	S2	S1	S0

Status register parameters:

- Power-on default value: 0000 0000_b, 00_h
 - No interrupts pending
- Command_byte address: 0000 0011_b, 03_h
- Type: 8-bits, read/write
- Bit name: *S_n*
- Function: Flag for *P_n* input-change event when *P_n* is configured as an input. *S_n* is set when the corresponding input changes state.
- Operation: 1 = change occurred; 0 = no change occurred

Note: If the FAN bit of the DEV_CFG register is set to '1' (i.e., if fan mode is selected), P[7:4] are automatically configured as open-drain outputs. They are then referred to as /FS[2:0] and /SHDN. No interrupts of any kind are generated by these pins while in fan mode. All status bits are cleared after any read operation is performed on STATUS.

TABLE 3-5: INTERRUPT MASK REGISTER (INT_MASK)

D[7]	D[6]	D[5]	D[4]	D[3]	D[2]	D[1]	D[0]
IM7	IM6	IM5	IM4	IM3	IM2	IM1	IM0

Interrupt mask register parameters:

- Power-on default value: 0000 0000_b, 00_h
- Command_byte address: 0000 0100_b, 04_h
- Type: 8-bits, read/write
- Bit name: *IM_n*
- Function: Interrupt enable bit for *P_n* when *P_n* is configured as an input.
- Operation: 1 = enabled; 0 = disabled

Note: If the FAN bit of the DEV_CFG register is set to '1' (i.e., if fan mode is selected), P[7:4] are automatically configured as open-drain outputs. They are then referred to as /FS[2:0] and /SHDN. No interrupts of any kind are generated by these pins while in fan mode.

TABLE 3-6: DATA REGISTER (DATA)

D[7]	D[6]	D[5]	D[4]	D[3]	D[2]	D[1]	D[0]
P7	P6	P5	P4	P3	P2	P1	P0

Data register parameters:

- Power-on default value: 1111 1111_b, FF_h
- Command_byte address: 0000 0101_b, 05_h
- Type: 8-bits, read/write
- Bit name: *P_n*
- Function: Returns the current state of any *P_n* configured as an input and the last value written to *P_n*'s configured as outputs. Writing the DATA register sets the output state of any *P_n*'s configured as outputs; writes to I/O bits configured as inputs are ignored.

- Read operation: 1 = *P_n* is high; 0 = *P_n* is low
- Write operation: 1 = *P_n* is set to '1'; 0 = *P_n* is cleared

Note: If the FAN bit of the DEV_CFG register is set to '1' (i.e., if fan mode is selected), P[7:4] are automatically configured as open-drain outputs. They are then referred to as /FS[2:0] and /SHDN. The state of these pins is determined by the FAN_SPEED register. While in fan mode, D[7:4] of the DATA registers have no effect.

MIC74

TABLE 3-7: FAN SPEED REGISTER (FAN_SPEED)

D[7]	D[6]	D[5]	D[4]	D[3]	D[2]	D[1]	D[0]
Always write as zero					Fan Speed		

Fan speed register parameters:

- Power-on default value: 0000 0000_b, 00_h
- Fan off
- Command_byte address: 0000 0110_b, 06_h
- Type: 8-bits, read/write
- Bit name: D[0] through D[2]
- Function: Determines bit-pattern on FS[2:0]
- Operation: Fan speed settings (see [Table 3-8](#))

Note: Any time the fan speed register contains zero, meaning the fan is shut down, and a non-zero value is written into the fan speed register, the /FS[2:0] and /SHDN outputs will assume the highest fan speed state for approximately one second (t_{START}). Following this interval, the state of the fan speed control outputs will assume the value indicated by the contents of FAN_SPEED. This ensures that the fan will start reliably when low speed operation is desired.

- Bit Name: D[3] through D[7]
- Function: Reserved
- Operation: Always write as zero

TABLE 3-8: FAN SPEED SETTINGS

D[2:0] Value	Output State		Fan Speed
	/FS[2:0]	/SHDN	
000	111	0	Off
001	110	1	Speed 1 (slowest)
010	101	1	Speed 2
011	100	1	Speed 3
100	011	1	Speed 4
101	010	1	Speed 5
110	001	1	Speed 6
111	000	1	Speed 7 (fastest)

4.0 FUNCTIONAL DESCRIPTION

4.1 Pin Descriptions

4.1.1 VDD

Power supply input connection. See [Operating Ratings ‡](#) section for additional information.

4.1.2 GND

Ground or return connection for all MIC74 functions.

4.1.3 CLK

A CLK signal is provided by the host and is common to all devices on the bus. The CLK signal controls all transactions in both directions on the bus and is applied to each MIC74 at the CLK pin.

4.1.4 DATA

Serial data is bidirectional and is common to all devices on the bus. The MIC74's DATA output is open-drain.

The DATA line requires one external pull-up resistor or current source per system that can be located anywhere along the line.

4.1.5 A2, A1, A0

The MIC74 responds to its own unique address which is assigned using the A0–A2 pins. A0–A2 set the three LSBs (least significant bits) of the MIC74's 7-bit client address. The three address pins allow eight unique MIC74 addresses in a system. When the MIC74's address matches an address received in the serial bit stream, communication is initiated.

A2, A1 and A0 should be connected to GND or VDD. The state of these pins is sampled only once at device power-on. New client addresses are not accepted unless the MIC74 is powered off then on.

TABLE 4-1: MIC74 ADDRESS CONFIGURATION

A2 Inputs	A1 Inputs	A0 Inputs	Binary Address	Hex Address
0	0	0	010 0000 _b	20 _h
0	0	1	010 0001 _b	21 _h
0	1	0	010 0010 _b	22 _h
0	1	1	010 0011 _b	23 _h
1	0	0	010 0100 _b	24 _h
1	0	1	010 0101 _b	25 _h
1	1	0	010 0110 _b	26 _h
1	1	1	010 0111 _b	27 _h

4.1.6 ALERT RESPONSE ADDRESS

The MIC74 also responds to the Alert Response Address (ARA). The ARA is used by the host to request the address of a client that has provided an interrupt to the host via the /ALERT line.

The ARA is a single address (0001 100) common to all clients and is described in more detail under [Interrupt Generation](#) with related information under [/ALERT](#). Also see [Figure 5-5](#).

4.1.7 P_n, /SHDN, AND /FS0 – /FS2

P0 through P7 are general purpose input/output bits. Each bit is independently programmable as an input or an output. If programmed as an output, each bit is further programmable as either a complementary push-pull or open-drain output.

If properly enabled, any P_n programmed as an input will generate an interrupt to the host using the /ALERT output when the input changes state. In this way, the MIC74 can notify the host of an input change without requiring periodic polling by the host or a message transaction on the bus.

Regardless of whether interrupts are enabled or disabled, each input-change event also sets the corresponding bit in the status register. I/O configuration is performed using the output configuration (OUT_CFG), I/O direction (DIR), and interrupt mask (INT_MASK) registers.

If the FAN bit in the device configuration register is set, the states of P[7:4] are controlled by the FAN_SPEED register. The bits in the OUT_CFG, DIR, and INT_MASK registers corresponding to P[7:4] are ignored. When in fan mode, P[7:4] are referred to as /FS2, /FS1, /FS0, and /SHDN. While in this mode, no interrupts of any kind will be generated by these pins.

4.1.8 /ALERT

The alert signal is an open-drain, active-low output. The operation of the /ALERT output is controlled by the IM_n bits in the INT_MASK register and the global interrupt enable bit (IE) in the DEV_CFG register.

If the IE bit is set to zero, or if the corresponding interrupt enable bit, IM_n, is set to zero, no input-change interrupts will be generated. Regardless of the IE bit setting, the change will be reflected in the status register.

If the IE bit is set to one, IM_n is set to one, and P_n is an input, then /ALERT is driven active whenever P_n changes state, (goes from a high-to-low or low-to-high state). Once triggered, /ALERT is unconditionally reset to its inactive state once the MIC74 successfully responds to the alert response addressor STATUS is read.

MIC74

4.2 Serial Port Operation

The MIC74 uses standard SMBus Read_Byte and Write_Byte operations to communicate with its host.

The Read_Byte operation is a composite read-write operation consisting of first sending the MIC74's client address followed by a command byte (a write) and then resending the client address and clocking out the data byte (a read). The command byte is the address of the target register. See [Table 4-2](#). An example of a Read_Byte operation is shown in [Figure 5-6](#).

Similarly, the write-byte operation consists of sending the device's client address followed by a command byte and the byte to be written to the target register. Again, in the case of the MIC74, the command byte is the address of the target register. See [Table 4-2](#).

In addition, to the read byte and write byte protocols, the MIC74 adheres to the SMBus protocol for response to the ARA (alert response address). An MIC74 expects to be interrogated using the ARA when it has asserted its /ALERT output. /ALERT interrupts can be enabled or disabled using the IE bit in the DEV_CFG register.

4.3 Power On

When power is initially applied, the MIC74's internal registers will assume their power-up default state and the state of the address inputs, A2, A1, and A0, will be read to establish the device's client address. See the individual register descriptions for each registers default state. Also see [Table 4-2](#).

4.4 I/O Ports

Each I/O bit, P0 through P7, may be individually programmed as an input or output using the corresponding bit in the I/O direction register, DIR. If programmed as an output, each is further programmable as either a complementary push-pull or open-drain output using the output configuration register, OUT_CFG.

If enabled by the corresponding bit, IM_n, in the interrupt mask register INT_MASK, each P_n programmed as an input will generate an interrupt to the host on /ALERT if the input changes state. In this way, the MIC74 can notify the host of an input change without requiring periodic polling by the host or a transaction on the bus.

Each input-change event also sets the corresponding bit in the status register, STATUS. See the [Functional Block Diagram](#) for the logic arrangement of atypical MIC74 I/O port.

4.5 Fan Speed Control

If the FAN bit in the device configuration register is set, the state of P[7:4] is controlled by the FAN_SPEED register. The bits in the OUT_CFG, DIR, and INT_MASK registers corresponding to P[7:4] are ignored. When in Fan Control Mode, P[7:4] are referred to as /FS2, /FS1, /FS0, and /SHDN. While in this mode, no interrupts of any kind will be generated by these pins. See the [Application Information](#) section for typical fan speed control applications.

TABLE 4-2: REGISTER SUMMARY

Register Name	Register Description	Binary Address	Hex Address	Available Options	Binary Power-On Default	Hex Power-On Default
DEV_CFG	Device configuration	0000 0000 _b	00 _h	8-bit read/write	0000 0000 _b	00 _h
DIR	I/O direction	0000 0001 _b	01 _h	8-bit read/write	0000 0000 _b	00 _h
OUT_CFG	Output configuration	0000 0010 _b	02 _h	8-bit read/write	0000 0000 _b	00 _h
STATUS	Interrupt status	0000 0011 _b	03 _h	8-bit read	0000 0000 _b	00 _h
INT_MASK	Interrupt mask	0000 0100 _b	04 _h	8-bit read/write	0000 0000 _b	00 _h
DATA	General purpose I/O	0000 0101 _b	05 _h	8-bit read/write	1111 1111 _b	FF _h
FAN_SPEED	Fan speed	0000 0110 _b	06 _h	8-bit read/write	0000 0000 _b	00 _h

4.6 Fan Start-Up

Any time the fan speed register contains zero (fan is off) and then a nonzero value is written to FAN_SPEED, the /FS[2:0] and /SHDN outputs will assume the highest fan speed state for approximately one second (t_{START}). Following this interval, the state of the fan speed control outputs will assume the value indicated by the contents of FAN_SPEED. This ensures that the fan will start reliably when low speed operation is desired. The t_{START} interval is generated by an internal oscillator and counters. At the end of t_{START} , this oscillator is powered down to reduce overall power consumption.

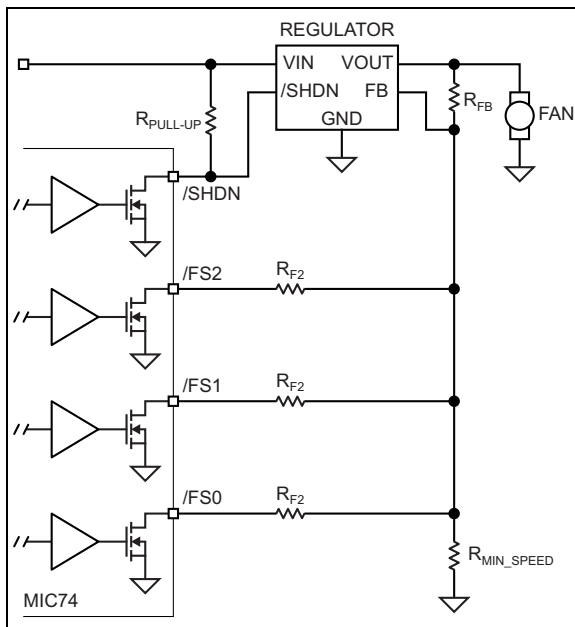


FIGURE 4-1: Fan Speed Control Application.

Proper sequencing of the /FS[2:0] and /SHDN signals is performed by the MIC74's internal logic state machine. When activating the fan from the off state, the /FS[2:0] lines change state first, then, after a delay equal to $t_{START}/2$, the /SHDN pin is deasserted. Conversely, when the fan is shutdown (zero is written to FAN_SPEED), the /SHDN pin is deasserted first. The /FS[2:0] lines are subsequently deasserted after a delay of $t_{START}/2$. The internal oscillator is also powered down following the $t_{START}/2$ interval at fan shut-down. These timing relationships are illustrated in Figure 4-2.

4.7 Interrupt Generation

Assuming that any or all of the I/Os are configured as inputs, the MIC74 will reflect the occurrence of an input change in the corresponding bit in the status register, STATUS. This action cannot be masked. An input change will only generate an interrupt to the host if interrupts are properly configured and enabled.

The MIC74 can operate in either polled mode or interrupt mode. In the case of polled operation, the host periodically reads the contents of STATUS to determine the device state. The act of reading STATUS clears its contents. Repeating events which have occurred since the last read from STATUS will not be discernable to the host.

Interrupts are only generated if the global interrupt enable bit, IE, in the DEV_CFG register is set. The /ALERT signal will be asserted (driven low) when an interrupt is generated. The MIC74 expects to be interrogated using the ARA when it has generated an interrupt output. Once it has successfully responded to the ARA (Alert Response Address), the /ALERT output will be deasserted. The contents of the status register will not be cleared until it is read using a read byte operation.

If a given system does not wish to use the SMBus ARA protocol for reporting interrupts, the system may simply poll the contents of the status register after detecting an interrupt on /ALERT. This action will clear the contents of STATUS and cause /ALERT to be deasserted. Reading the status register is an acceptable substitute for using the ARA protocol. Presumably, however, it will involve higher system overhead since all the devices on the bus must be polled to determine which one generated the interrupt.

MIC74

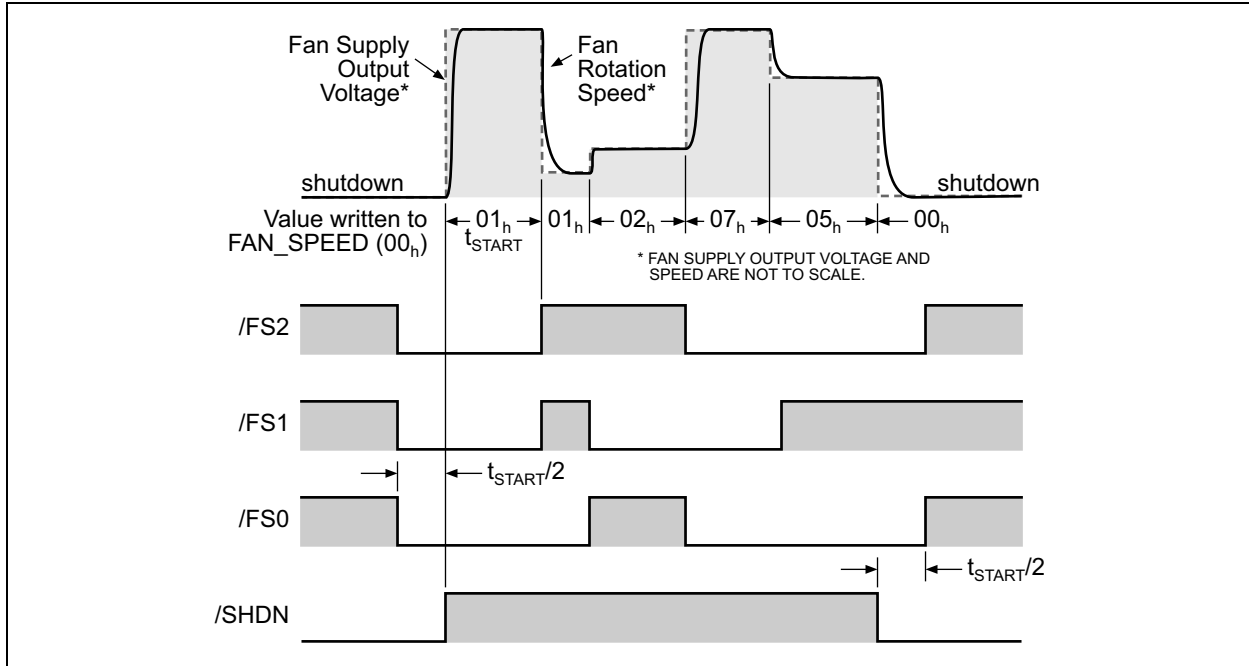


FIGURE 4-2: Typical MIC74 Fan Mode Timing and System Behavior.

5.0 APPLICATION INFORMATION

5.1 Bit Transfer

The data received on the DATA pin must be stable during the high period of the clock.

Data can change state only when the CLK line is low. Refer to [Figure 5-1](#).

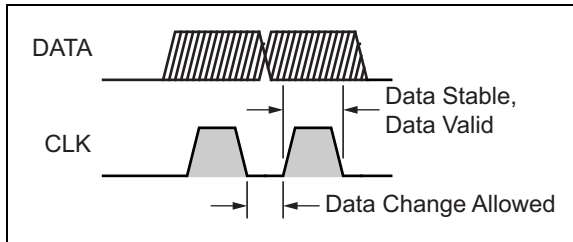


FIGURE 5-1: Acceptable Bit Transfer Conditions.

5.2 Start and Stop Conditions

Two unique bus situations define start and stop conditions. A high-to-low transition of the DATA line while CLK is high indicates a start condition. A low-to-high transition of the DATA line while CLK is high defines a stop condition. See [Figure 5-2](#).

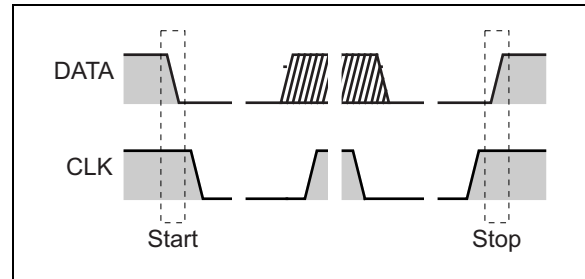


FIGURE 5-2: Start and Stop Definitions.

Start (leading edge of start) and stop (trailing edge of stop) conditions are always generated by the bus host. After a start condition, the bus is considered to be busy. The bus becomes free again after a certain time following a stop condition or after both CLK and DATA lines remain high for more than 50 μ s.

5.3 Serial Byte Format

Every byte consists of 8 bits. Each byte transferred on the bus must be followed by an acknowledge bit. Bytes are transferred with the MSB (most significant bit) first. See [Figure 5-3](#).

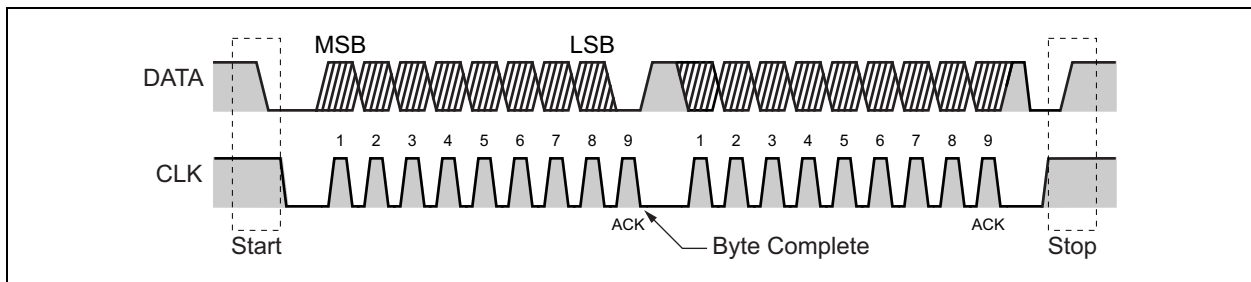


FIGURE 5-3: Serial Byte Format.

5.4 Acknowledge and Not Acknowledge

The acknowledge related clock pulse is generated by the host. The transmitter releases the DATA line (high) during the acknowledge clock cycle.

In order to acknowledge (ACK) a byte, the receiver must pull the DATA line low during the high period of the clock pulse according to the bus timing specifications. A client device that wishes to not acknowledge a byte must let the DATA line remain high during the acknowledge clock pulse. See [Figure 5-4](#).

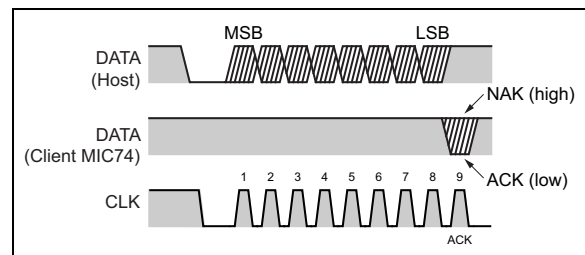


FIGURE 5-4: Acknowledge and Not Acknowledge.

MIC74

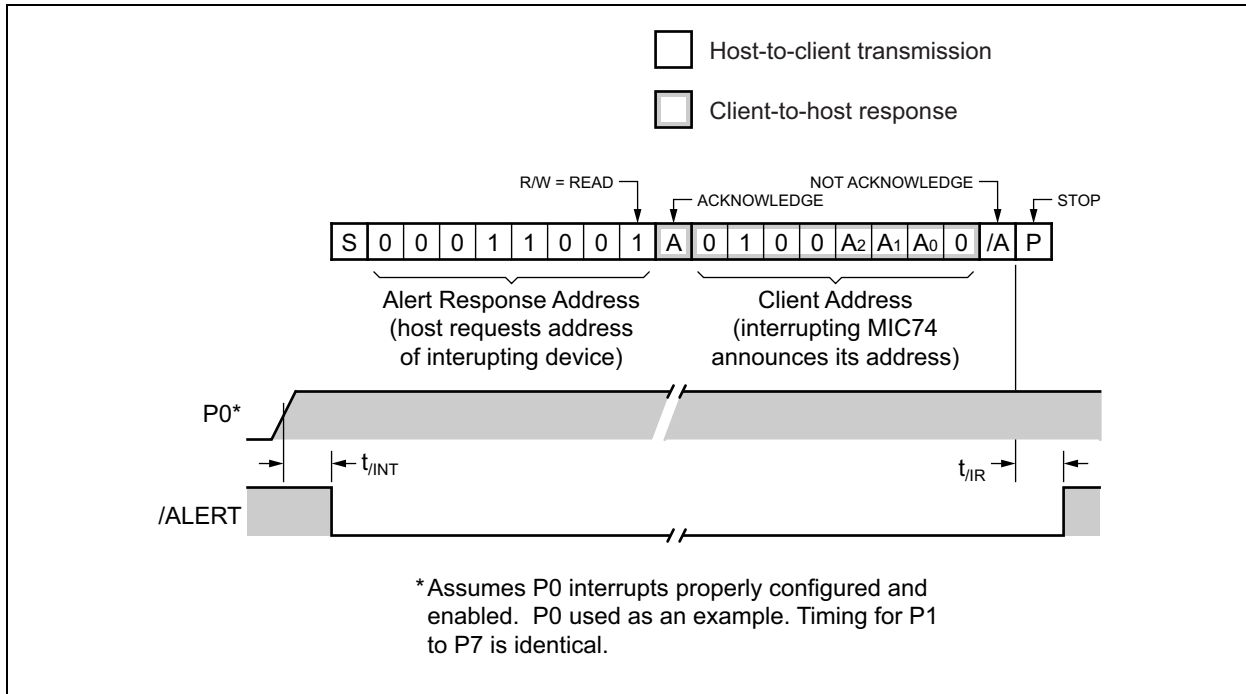


FIGURE 5-5: Interrupt Handling Using the Alert Response Address.

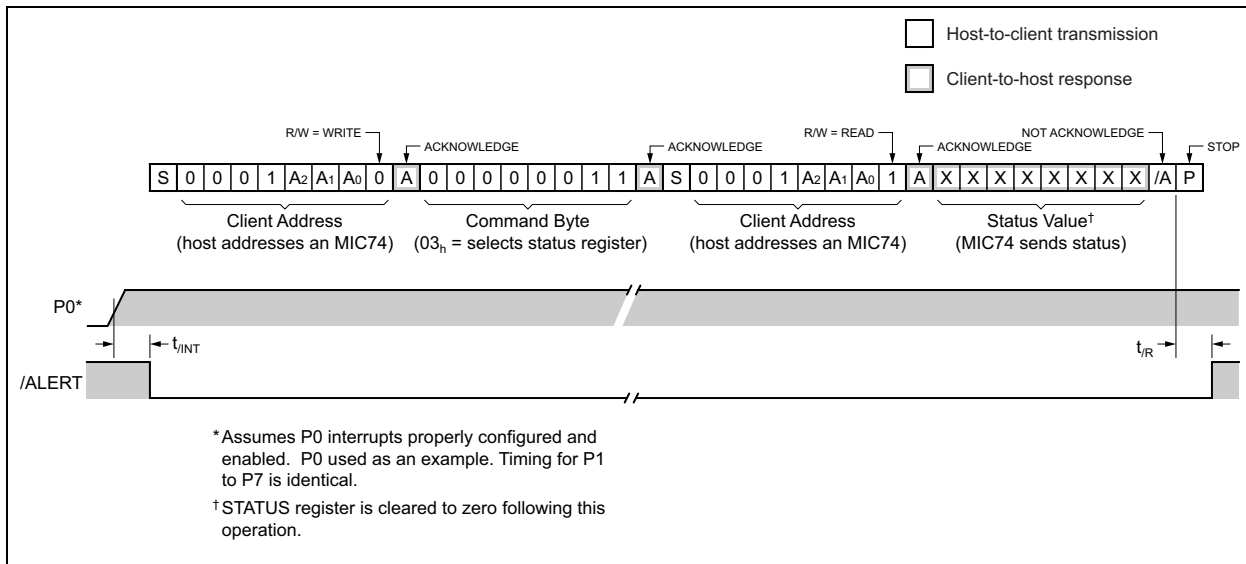


FIGURE 5-6: Interrupt Handling Without the Alert Response Address.

5.5 Initializing the MIC74

The MIC74's internal registers are reset to their default state at power-on. The MIC74's default state can be summarized as follows:

- All I/Os configured as inputs (DIR = 00h)
- Output configuration set to open-drain (OUT_CFG = 00h)
- All outputs high/floating (DATA = FFh)
- Fan functions disabled (FAN_SPEED = 00h; FAN bit of DEV_CFG = 0)
- All interrupts masked (IE bit of DEV_CFG = 0)

The result of this configuration is that all I/O pins will essentially float unless driven by external circuitry. Any system using the MIC74 will need to initialize the internal registers to the state required for proper system operation. The recommended order for initializing the MIC74's registers is as follows:

1. Write DATA
2. Write OUT_CFG
3. Write DIR
4. Write FAN_SPEED (if using fan mode)
5. Write INT_MASK (if using interrupts)
6. Read STATUS to clear it
7. Write DEV_CFG to enable fan mode and/or interrupts, if using.

At the conclusion of step three, any I/Os configured as outputs in step two will be driven to the levels programmed into the data register in step one. The order of step one through step three is important to ensure that spurious data does not appear at the I/Os during configuration. Following step seven, programming the device configuration register, the MIC74 will begin generating interrupts if they are enabled, and the fan will be started if FAN_SPEED contains a non-zero value. The corresponding interrupt service routines (if any) must be initialized and enabled prior to step seven. STATUS should be cleared (step six) in both polled and interrupt-driven systems.

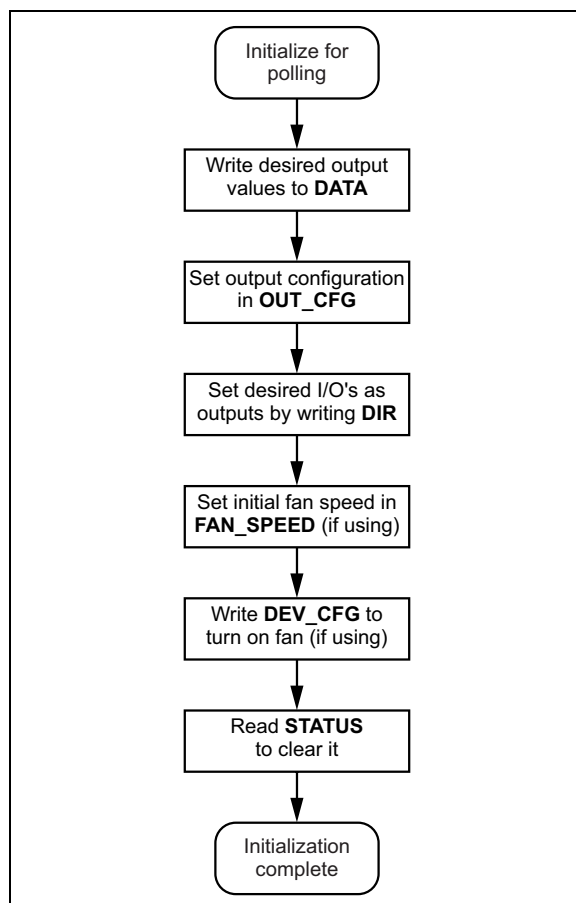


FIGURE 5-7: *Initializing the MIC74 for Polled Operation.*

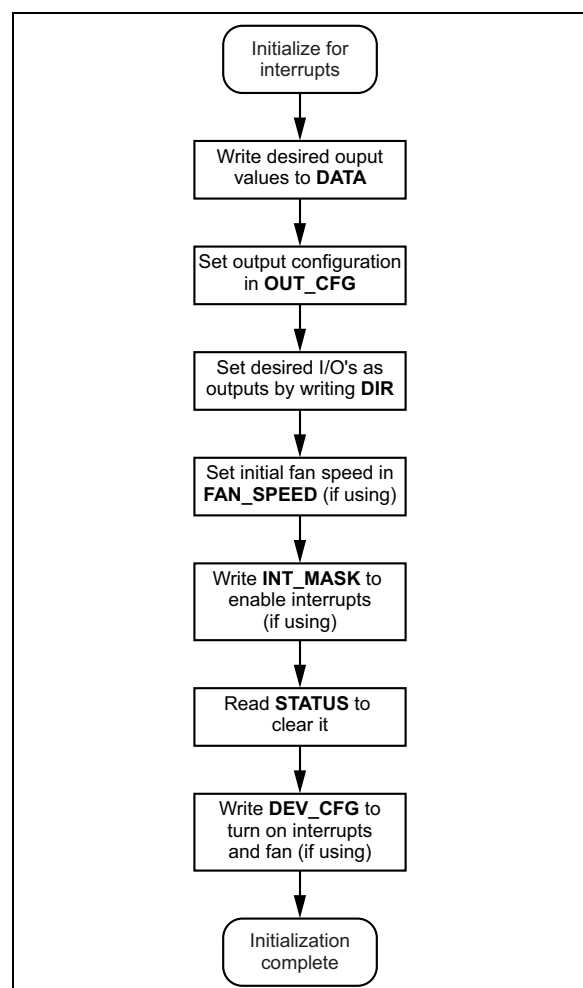


FIGURE 5-8: *Initializing the MIC74 for Interrupts.*

5.6 Polled Mode

Input state changes on I/Os configured as inputs will be reflected in the status register regardless of the state of the global interrupt enable bit (IE) and the individual interrupt mask bits in INT_MASK. In a system utilizing polling to monitor for input changes, the status register is periodically read to check for input events. The act of reading STATUS clears it in preparation for detecting future events. The status bits corresponding to I/Os configured as outputs or corresponding to P[7:4] when in fan mode will not be set by state changes on these pins. It is always good practice, however, to mask the value obtained when reading STATUS to eliminate any bits, output or otherwise, that are not of immediate concern. This will help avoid problems if software changes are made in the future.

The flowchart shown in Figure 5-7 illustrates the steps involved in initializing the MIC74 for polled operation. The flowchart in Figure 5-9 illustrates the corresponding polling routine. The process for writing output data is straight-forward: simply write the desired bit pattern to DATA. Special precautions may be required when changing output data in an interrupt driven system, however. See the [Writing to the Data Register](#) section.

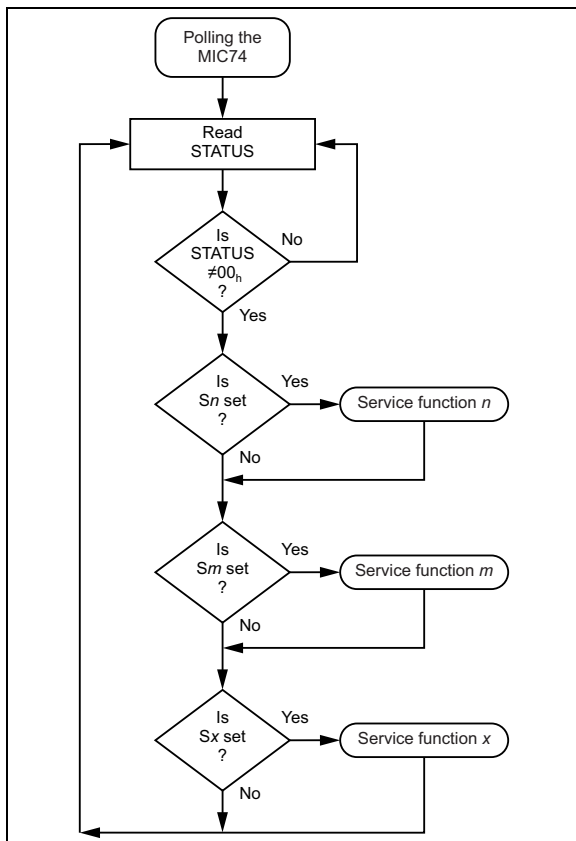


FIGURE 5-9: Polling the MIC74.

5.7 Interrupt Mode

Input state changes on I/Os configured as inputs will be reflected in the status register regardless of the state of the global interrupt enable bit (IE) and the individual interrupt mask bits in INT_MASK. In a system utilizing interrupts to detect input changes, one or more of the bits in the interrupt mask register, INT_MASK, are set to allow interrupts on /ALERT to be generated by input events. The global interrupt enable bit, IE, in the device configuration register must also be set to enable interrupts.

The flowchart shown in Figure 5-8 illustrates the steps involved in initializing the MIC74 for interrupt-driven operation. The flowchart in Figure 5-10 illustrates the corresponding interrupt service routine using the SMBus ARA. The corresponding timing diagram is shown in Figure 5-5. The flowchart in Figure 5-11 illustrates the corresponding interrupt service routine using polling to determine the interrupt source. Figure 5-6 illustrates the timing. Utilizing the ARA greatly speeds identification of the interrupting client device and lowers latency, as only a single transaction on the bus is necessary to identify the interrupt source.

Using either method, STATUS must be read to determine the exact source of the interrupt within the MIC74.

The act of reading STATUS clears it in preparation for detecting future events. The status bits corresponding to I/Os configured as outputs or corresponding to P[7:4] when in fan mode will not be set by state changes on these pins. It is always good practice, however, for the interrupt service routine to mask the value obtained when reading STATUS to eliminate any bits, output or otherwise, that are not of immediate concern. This will help avoid problems if software changes are made in the future.

The process for writing output data is straight-forward—simply write the desired bit pattern to DATA. Special precautions may be required, however, when changing output data in an interrupt driven system. See the [Writing to the Data Register](#) section.

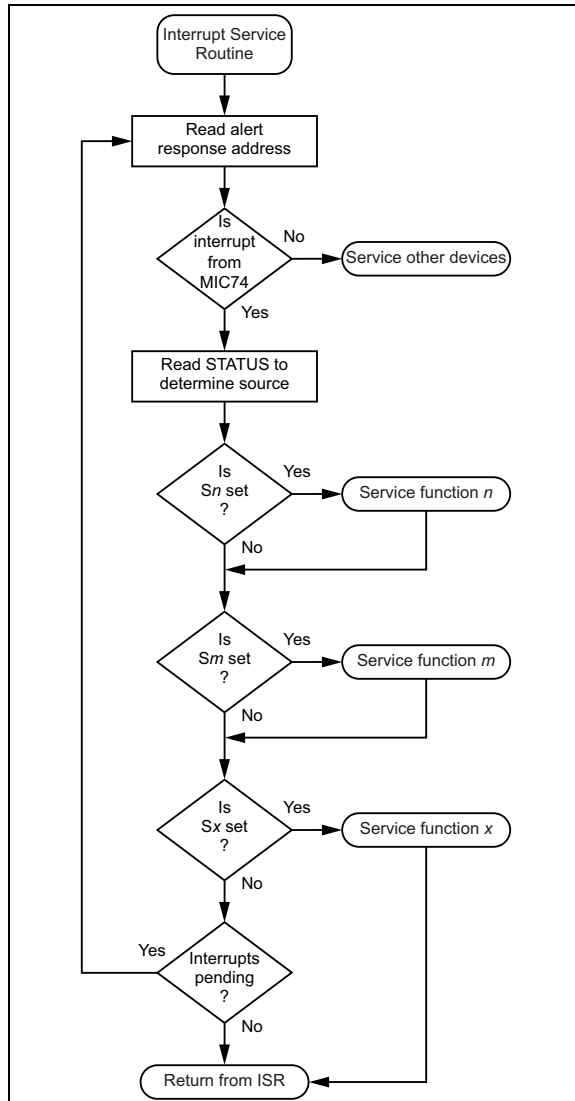


FIGURE 5-10: *Interrupt Service Routine Using the ARA.*

5.8 Writing to the Data Register

Multiple software routines may use the various output bits available on the MIC74 to control individual functions such as power switches, LEDs, etc. These various functions may be handled by independent software routines that must manipulate individual output bits without regard for other bits. Care must be taken to ensure that these various software routines do not interfere with each other when modifying output data. The recommended procedure for changing isolated output bits is as follows:

1. Read DATA
2. Set desired bits by ORing the value read from DATA with an appropriate mask value
3. Clear desired bits by ANDing the value read from DATA with an appropriate mask value

4. Write the result back to DATA

A functionally equivalent alternative to this procedure is to keep an image of the data register in software. Any independent routines would make changes to this image using the procedure above and then call a routine that actually writes the new image to DATA. Interrupts would be disabled briefly while DATA is being modified.

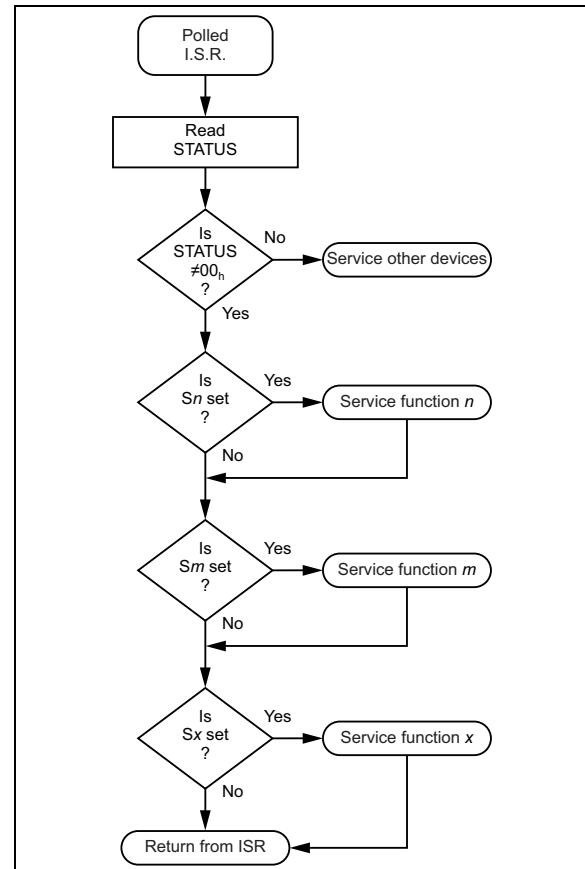


FIGURE 5-11: *Interrupt Service Routine Without ARA.*

Regardless of which procedure is used, it is important that only one software routine at a time attempts to make changes to the output data. In a system where polling is the exclusive method for servicing inputs, this is usually not a problem. If interrupts are employed to any degree in dealing with MIC74 inputs, care must be taken to ensure that a software routine in the midst of making changes to outputs is not interrupted by another routine that proceeds to make its own changes. The risk is that the value in DATA will be changed by an interrupting routine after it is read by a different routine in the process of making its own changes. If this occurs, the value written to DATA by the first routine may be incorrect. The most straightforward solution to this potential problem is to disable system interrupts while the data register is actually being modified.

MIC74

5.9 Application Circuits

The MIC74, in conjunction with a linear low-dropout or switching regulator, can be configured as a fan speed controller. Most adjustable regulators have a feedback pin and use an external resistor divider to adjust the output voltage. The MIC74 is designed to take advantage of this configuration with its ability to manipulate multiple feedback resistors connected to the P4–P7 outputs. Individual open-drain output bits are selectively grounded or allowed to float under the control of the internal state machine. This action raises or lowers the equivalent resistance seen in the regulator's feedback path, thus changing the output voltage.

Any conventional adjustable regulator is usually suitable for use with the MIC74. The output voltage corresponding to each value to be programmed into the fan speed register can be determined by selecting the resistors in the circuit. The regulator itself can be chosen to meet the needs of the application, such as input voltage, output voltage, current handling capability, maximum power dissipation, and physical space constraints.

The circuit of Figure 5-12 illustrates use of a typical LDO linear regulator such as the MIC29152. A switching regulator-based fan control circuit using the

MIC4574 200 kHz simple 0.5A buck regulator is shown in Figure 5-13. Both circuits assume a 12V fan power supply, but will accommodate much higher input voltages if required (MIC4574: 24V, MIC29152: 26V). Care must be taken, however, to ensure that the maximum power dissipation of the regulator is not exceeded. If the regulator overheats, its internal thermal shutdown circuitry will deactivate it. (See MIC29152 or MIC4574 data sheet.)

Because the MIC74 powers up with all its I/Os inputs (floating), both circuits will power-up with the fan running at a minimum speed determined by the value of R_{MIN_SPEED} . Once the MIC74's fan mode is activated by setting the appropriate bit in the configuration register, the fan will be shutdown by the assertion of the /SHDN output if FAN_SPEED is zero. If FAN_SPEED is programmed with any nonzero value, the fan will be driven to its maximum speed for the duration of t_{START} (about 1 second) and then assume the programmed speed. Note that the circuit in Figure 5-13 contains an additional transistor, Q1, as an inverter because the regulator in this example has an active-high shutdown input rather than an enable input. Otherwise the circuits function identically.

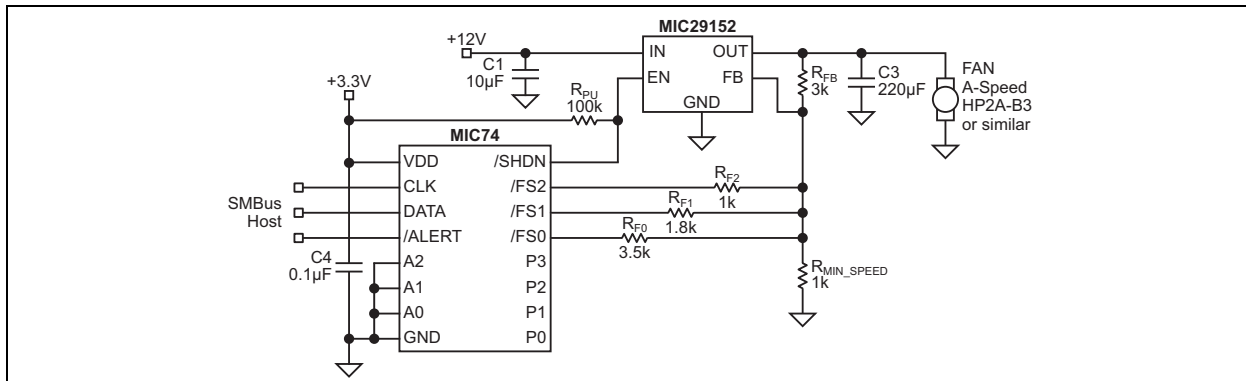


FIGURE 5-12: Fan Speed Control Using an Adjustable Low-Dropout Regulator.

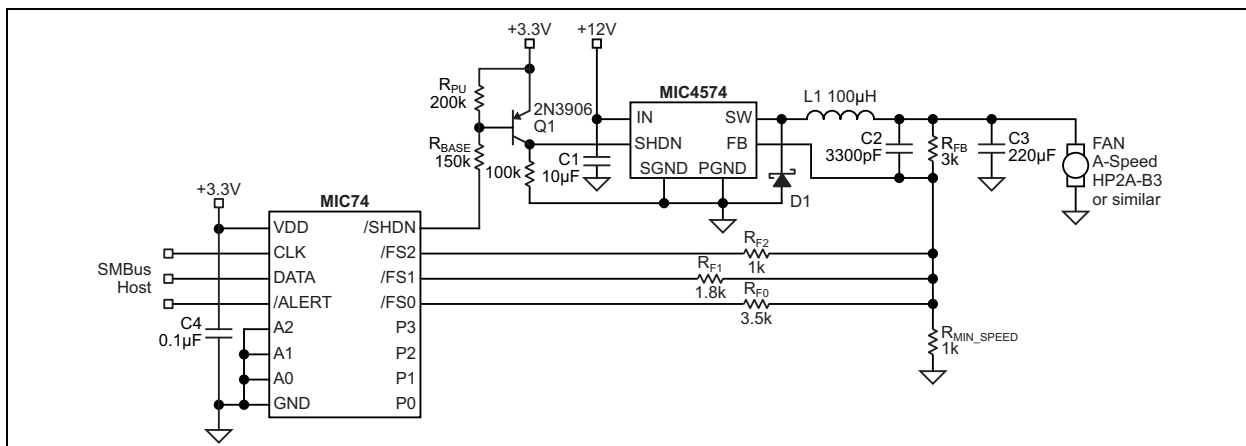


FIGURE 5-13: Fan Speed Control Using a Buck Converter.

Table 5-1 lists the output voltages corresponding to all the fan speeds and system states possible with these circuits. The following equations are used to calculate the resistor values used in MIC74 fan speed control circuits. It is assumed here that the regulator's internal reference voltage is 1.24V. If the regulator uses a different reference voltage, that value should be used instead.

The following equation shows how to calculate the resistor values for the fan controllers. For example, when the fan speed register contains 011b, which is the third lowest speed, R_{F1} and R_{F0} are parallel to R_{MIN} to give the equivalence resistor (R_{EQ}) value of 545Ω.

EQUATION 5-1:

$$R_{EQ} = R_{F1} \parallel R_{F0} \parallel R_{MIN}$$

$$R_{EQ} = 1.8k\Omega \parallel 3.6k\Omega \parallel 1k\Omega$$

$$R_{EQ} = 545\Omega$$

The output voltage is calculated using Equation 5-2.

EQUATION 5-2:

$$V_{OUT} = 1.24V \left(1 + \frac{R_{FB}}{R_{EQ}} \right)$$

$$V_{OUT} = 1.24V \left(1 + \frac{3k\Omega}{545\Omega} \right)$$

$$V_{OUT} = 8.06V$$

TABLE 5-1: FAN SPEED SELECTION

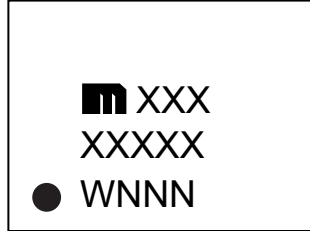
FAN_SPEED Value	Fan Speed Selected	R_{FB}	R_{MIN}	R_{F2}	R_{F1}	R_{F0}	R_{EQ}	V_{OUT}
0000 0000 _b	Power-up	3 kΩ	1 kΩ	Open	Open	Open	1 kΩ	4.96V
0000 0000 _b	Fan off	3 kΩ	1 kΩ	Open	Open	Open	1 kΩ	0V
0000 0001 _b	Lowest	3 kΩ	1 kΩ	Open	Open	3.6 kΩ	783Ω	5.99V
0000 0010 _b	2nd lowest	3 kΩ	1 kΩ	Open	1.8 kΩ	Open	643Ω	7.03V
0000 0011 _b	3rd lowest	3 kΩ	1 kΩ	Open	1.8 kΩ	3.6 kΩ	545Ω	8.06V
0000 0100 _b	Medium	3 kΩ	1 kΩ	1 kΩ	Open	Open	500Ω	8.68V
0000 0101 _b	3rd highest	3 kΩ	1 kΩ	1 kΩ	Open	3.6 kΩ	439Ω	9.71V
0000 0110 _b	2nd highest	3 kΩ	1 kΩ	1 kΩ	1.8 kΩ	Open	391Ω	10.75V
0000 0111 _b	Highest	3 kΩ	1 kΩ	1 kΩ	1.8 kΩ	3.6 kΩ	353Ω	11.78V

MIC74

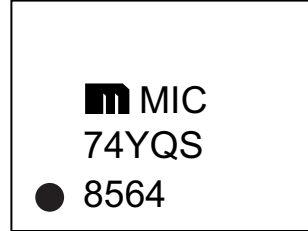
6.0 PACKAGING INFORMATION

6.1 Package Marking Information

16-Lead QSOP*



Example



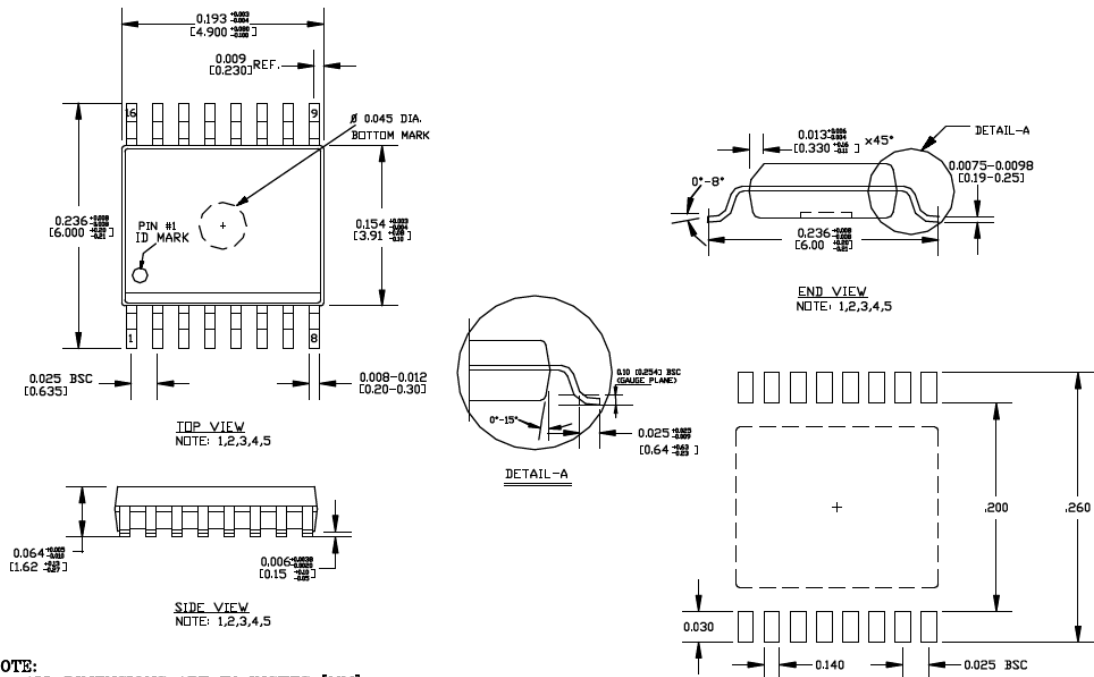
Legend:	XX...X	Product code or customer-specific information
	Y	Year code (last digit of calendar year)
	YY	Year code (last 2 digits of calendar year)
	WW	Week code (week of January 1 is week '01')
	NNN	Alphanumeric traceability code
	(e3)	Pb-free JEDEC® designator for Matte Tin (Sn)
	*	This package is Pb-free. The Pb-free JEDEC designator (e3) can be found on the outer packaging for this package.
	●, ▲, ▼	Pin one index is identified by a dot, delta up, or delta down (triangle mark).
Note:	In the event the full Microchip part number cannot be marked on one line, it will be carried over to the next line, thus limiting the number of available characters for customer-specific information. Package may or may not include the corporate logo.	
	Underbar (¯) and/or Overbar (¯) symbol may not be to scale.	

16-Lead QSOP Package Outline and Recommended Land Pattern

TITLE

16 LEAD QSOP PACKAGE OUTLINE & RECOMMENDED LAND PATTERN

DRAWING #	QSOP-16LD-PL-1	UNIT	INCH
Lead Frame	Copper	Lead Finish	Matte Tin



NOTE:

- ALL DIMENSIONS ARE IN INCHES [MM].
- LEAD COPLANARITY SHOULD BE 0.004" [0.10 mm] MAX.
- MAX MISALIGNMENT BETWEEN TOP AND BOTTOM CENTER OF PACKAGE TO BE 0.004" [0.10 mm].
- THE LEAD WIDTH, B TO BE DETERMINED AT .0075 [0.19 mm] FROM THE LEAD TIP.
- BOTTOM MARK IS OPTIONAL, IT MAY NOT APPEAR ON THE ACTUAL UNITS.
- LAND PATTERN IS IN INCH. TOLERANCE IS +/- 0.002.

Note: For the most current package drawings, please see the Microchip Packaging Specification located at <http://www.microchip.com/packaging>.

MIC74

NOTES:

APPENDIX A: REVISION HISTORY

Revision A (November 2020)

- Converted Micrel data sheet MIC74 to Microchip data sheet DS20005969A.
- Minor grammatical corrections throughout.

MIC74

NOTES:

PRODUCT IDENTIFICATION SYSTEM

To order or obtain information, e.g., on pricing or delivery, contact your local Microchip representative or sales office.

<u>PART NO.</u>		X	XX	-XX
Device	Junction Temp. Range	Package	Media Type	
Device:	MIC74:	2-Wire Serial I/O Expander and Fan Controller		
Junction Temperature Range:	Y =	-40°C to +85°C		
Package:	QS =	16-Lead QSOP		
Media Type	<blank>=	98/Tube		
	TR =	2,500/Reel		

Examples:

a) MIC74YQS: MIC74, -40°C to +85°C Junction Temperature Range, 16-Lead QSOP, 98/Tube

b) MIC74YQS-TR: MIC74, -40°C to +85°C Junction Temperature Range, 16-Lead QSOP, 2,500/Reel

Note 1: Tape and Reel identifier only appears in the catalog part number description. This identifier is used for ordering purposes and is not printed on the device package. Check with your Microchip Sales Office for package availability with the Tape and Reel option.

MIC74

NOTES:

Note the following details of the code protection feature on Microchip devices:

- Microchip products meet the specifications contained in their particular Microchip Data Sheet.
- Microchip believes that its family of products is secure when used in the intended manner and under normal conditions.
- There are dishonest and possibly illegal methods being used in attempts to breach the code protection features of the Microchip devices. We believe that these methods require using the Microchip products in a manner outside the operating specifications contained in Microchip's Data Sheets. Attempts to breach these code protection features, most likely, cannot be accomplished without violating Microchip's intellectual property rights.
- Microchip is willing to work with any customer who is concerned about the integrity of its code.
- Neither Microchip nor any other semiconductor manufacturer can guarantee the security of its code. Code protection does not mean that we are guaranteeing the product is "unbreakable." Code protection is constantly evolving. We at Microchip are committed to continuously improving the code protection features of our products. Attempts to break Microchip's code protection feature may be a violation of the Digital Millennium Copyright Act. If such acts allow unauthorized access to your software or other copyrighted work, you may have a right to sue for relief under that Act.

Information contained in this publication is provided for the sole purpose of designing with and using Microchip products. Information regarding device applications and the like is provided only for your convenience and may be superseded by updates. It is your responsibility to ensure that your application meets with your specifications.

THIS INFORMATION IS PROVIDED BY MICROCHIP "AS IS". MICROCHIP MAKES NO REPRESENTATIONS OR WARRANTIES OF ANY KIND WHETHER EXPRESS OR IMPLIED, WRITTEN OR ORAL, STATUTORY OR OTHERWISE, RELATED TO THE INFORMATION INCLUDING BUT NOT LIMITED TO ANY IMPLIED WARRANTIES OF NON-INFRINGEMENT, MERCHANTABILITY, AND FITNESS FOR A PARTICULAR PURPOSE OR WARRANTIES RELATED TO ITS CONDITION, QUALITY, OR PERFORMANCE.

IN NO EVENT WILL MICROCHIP BE LIABLE FOR ANY INDIRECT, SPECIAL, PUNITIVE, INCIDENTAL OR CONSEQUENTIAL LOSS, DAMAGE, COST OR EXPENSE OF ANY KIND WHATSOEVER RELATED TO THE INFORMATION OR ITS USE, HOWEVER CAUSED, EVEN IF MICROCHIP HAS BEEN ADVISED OF THE POSSIBILITY OR THE DAMAGES ARE FORESEEABLE. TO THE FULLEST EXTENT ALLOWED BY LAW, MICROCHIP'S TOTAL LIABILITY ON ALL CLAIMS IN ANY WAY RELATED TO THE INFORMATION OR ITS USE WILL NOT EXCEED THE AMOUNT OF FEES, IF ANY, THAT YOU HAVE PAID DIRECTLY TO MICROCHIP FOR THE INFORMATION. Use of Microchip devices in life support and/or safety applications is entirely at the buyer's risk, and the buyer agrees to defend, indemnify and hold harmless Microchip from any and all damages, claims, suits, or expenses resulting from such use. No licenses are conveyed, implicitly or otherwise, under any Microchip intellectual property rights unless otherwise stated.

Trademarks

The Microchip name and logo, the Microchip logo, Adaptec, AnyRate, AVR, AVR logo, AVR Freaks, BesTime, BitCloud, chipKIT, chipKIT logo, CryptoMemory, CryptoRF, dsPIC, FlashFlex, flexPWR, HELDO, IGL00, JukeBlox, KeeLoq, Kleer, LANCheck, LinkMD, maXStylus, maXTouch, MediaLB, megaAVR, Microsemi, Microsemi logo, MOST, MOST logo, MPLAB, OptoLyzer, PackeTime, PIC, picoPower, PICSTART, PIC32 logo, PolarFire, Prochip Designer, QTouch, SAM-BA, SenGenuity, SpyNIC, SST, SST Logo, SuperFlash, Symmetricom, SyncServer, Tachyon, TimeSource, tinyAVR, UNI/O, Vectron, and XMEGA are registered trademarks of Microchip Technology Incorporated in the U.S.A. and other countries.

AgileSwitch, APT, ClockWorks, The Embedded Control Solutions Company, EtherSynch, FlashTec, Hyper Speed Control, HyperLight Load, IntelliMOS, Libero, motorBench, mTouch, Powermite 3, Precision Edge, ProASIC, ProASIC Plus, ProASIC Plus logo, Quiet-Wire, SmartFusion, SyncWorld, Temux, TimeCesium, TimeHub, TimePictra, TimeProvider, WinPath, and ZL are registered trademarks of Microchip Technology Incorporated in the U.S.A.

Adjacent Key Suppression, AKS, Analog-for-the-Digital Age, Any Capacitor, AnyIn, AnyOut, Augmented Switching, BlueSky, BodyCom, CodeGuard, CryptoAuthentication, CryptoAutomotive, CryptoCompanion, CryptoController, dsPICDEM, dsPICDEM.net, Dynamic Average Matching, DAM, ECAN, Espresso T1S, EtherGREEN, IdealBridge, In-Circuit Serial Programming, ICSP, INICnet, Intelligent Paralleling, Inter-Chip Connectivity, JitterBlocker, maxCrypto, maxView, memBrain, Mindi, MiWi, MPASM, MPF, MPLAB Certified logo, MPLIB, MPLINK, MultiTRAK, NetDetach, Omniscient Code Generation, PICDEM, PICDEM.net, PICkit, PICtail, PowerSmart, PureSilicon, QMatrix, REAL ICE, Ripple Blocker, RTAX, RTG4, SAM-ICE, Serial Quad I/O, simpleMAP, SimpliPHY, SmartBuffer, SMART-I.S., storClad, SQI, SuperSwitcher, SuperSwitcher II, Switchtec, SynchroPHY, Total Endurance, TSHARC, USBCheck, VariSense, VectorBlox, VeriPHY, ViewSpan, WiperLock, XpressConnect, and ZENA are trademarks of Microchip Technology Incorporated in the U.S.A. and other countries.

SQTP is a service mark of Microchip Technology Incorporated in the U.S.A.

The Adaptec logo, Frequency on Demand, Silicon Storage Technology, and Symmcom are registered trademarks of Microchip Technology Inc. in other countries.

GestIC is a registered trademark of Microchip Technology Germany II GmbH & Co. KG, a subsidiary of Microchip Technology Inc., in other countries.

All other trademarks mentioned herein are property of their respective companies.

© 2020, Microchip Technology Incorporated, All Rights Reserved.

ISBN: 978-1-5224-7131-8

For information regarding Microchip's Quality Management Systems, please visit www.microchip.com/quality.



MICROCHIP

Worldwide Sales and Service

AMERICAS

Corporate Office
2355 West Chandler Blvd.
Chandler, AZ 85224-6199
Tel: 480-792-7200
Fax: 480-792-7277
Technical Support:
<http://www.microchip.com/support>
Web Address:
www.microchip.com

Atlanta

Duluth, GA
Tel: 678-957-9614
Fax: 678-957-1455

Austin, TX

Tel: 512-257-3370

Boston

Westborough, MA
Tel: 774-760-0087
Fax: 774-760-0088

Chicago

Itasca, IL
Tel: 630-285-0071
Fax: 630-285-0075

Dallas

Addison, TX
Tel: 972-818-7423
Fax: 972-818-2924

Detroit

Novi, MI
Tel: 248-848-4000

Houston, TX

Tel: 281-894-5983

Indianapolis

Noblesville, IN
Tel: 317-773-8323
Fax: 317-773-5453
Tel: 317-536-2380

Los Angeles

Mission Viejo, CA
Tel: 949-462-9523
Fax: 949-462-9608
Tel: 951-273-7800

Raleigh, NC

Tel: 919-844-7510

New York, NY

Tel: 631-435-6000

San Jose, CA

Tel: 408-735-9110
Tel: 408-436-4270

Canada - Toronto

Tel: 905-695-1980
Fax: 905-695-2078

ASIA/PACIFIC

Australia - Sydney
Tel: 61-2-9868-6733

China - Beijing
Tel: 86-10-8569-7000

China - Chengdu
Tel: 86-28-8665-5511

China - Chongqing
Tel: 86-23-8980-9588

China - Dongguan
Tel: 86-769-8702-9880

China - Guangzhou
Tel: 86-20-8755-8029

China - Hangzhou
Tel: 86-571-8792-8115

China - Hong Kong SAR
Tel: 852-2943-5100

China - Nanjing
Tel: 86-25-8473-2460

China - Qingdao
Tel: 86-532-8502-7355

China - Shanghai
Tel: 86-21-3326-8000

China - Shenyang
Tel: 86-24-2334-2829

China - Shenzhen
Tel: 86-755-8864-2200

China - Suzhou
Tel: 86-186-6233-1526

China - Wuhan
Tel: 86-27-5980-5300

China - Xian
Tel: 86-29-8833-7252

China - Xiamen
Tel: 86-592-2388138

China - Zhuhai
Tel: 86-756-3210040

ASIA/PACIFIC

India - Bangalore
Tel: 91-80-3090-4444

India - New Delhi
Tel: 91-11-4160-8631

India - Pune
Tel: 91-20-4121-0141

Japan - Osaka
Tel: 81-6-6152-7160

Japan - Tokyo
Tel: 81-3-6880-3770

Korea - Daegu
Tel: 82-53-744-4301

Korea - Seoul
Tel: 82-2-554-7200

Malaysia - Kuala Lumpur
Tel: 60-3-7651-7906

Malaysia - Penang
Tel: 60-4-227-8870

Philippines - Manila
Tel: 63-2-634-9065

Singapore
Tel: 65-6334-8870

Taiwan - Hsin Chu
Tel: 886-3-577-8366

Taiwan - Kaohsiung
Tel: 886-7-213-7830

Taiwan - Taipei
Tel: 886-2-2508-8600

Thailand - Bangkok
Tel: 66-2-694-1351

Vietnam - Ho Chi Minh
Tel: 84-28-5448-2100

EUROPE

Austria - Wels
Tel: 43-7242-2244-39
Fax: 43-7242-2244-393

Denmark - Copenhagen
Tel: 45-4485-5910
Fax: 45-4485-2829

Finland - Espoo
Tel: 358-9-4520-820

France - Paris
Tel: 33-1-69-53-63-20
Fax: 33-1-69-30-90-79

Germany - Garching
Tel: 49-8931-9700

Germany - Haan
Tel: 49-2129-3766400

Germany - Heilbronn
Tel: 49-7131-72400

Germany - Karlsruhe
Tel: 49-721-625370

Germany - Munich
Tel: 49-89-627-144-0
Fax: 49-89-627-144-44

Germany - Rosenheim
Tel: 49-8031-354-560

Israel - Ra'anana
Tel: 972-9-744-7705

Italy - Milan
Tel: 39-0331-742611
Fax: 39-0331-466781

Italy - Padova
Tel: 39-049-7625286

Netherlands - Drunen
Tel: 31-416-690399
Fax: 31-416-690340

Norway - Trondheim
Tel: 47-7288-4388

Poland - Warsaw
Tel: 48-22-3325737

Romania - Bucharest
Tel: 40-21-407-87-50

Spain - Madrid
Tel: 34-91-708-08-90
Fax: 34-91-708-08-91

Sweden - Gothenberg
Tel: 46-31-704-60-40

Sweden - Stockholm
Tel: 46-8-5090-4654

UK - Wokingham
Tel: 44-118-921-5800
Fax: 44-118-921-5820