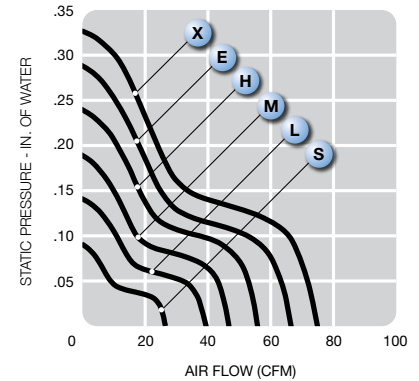
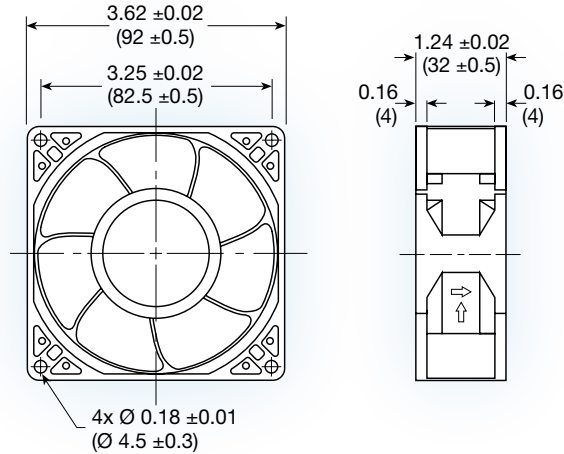


G9232 series



(92 x 92 x 32 mm)
3.62 x 3.62 x 1.24 inches

Construction: UL94V-0 PBT impeller & frame

Bearing option: ball bearing

Connection: AWG 24, UL1007 lead wires

Frame: flanged

Protection: thermal

Options: tachometer output or locked rotor alarm signal; thermistor speed control; encapsulated motor; PWM speed control

Model No.	Rated Voltage V	Current mA			Speed RPM	Air Volume		Max. Static Pressure (H ₂ O)		Sound Noise dB _A	Weight g
		5	12	24		M ³ /Min.	CFM	MM	INCH		
G9232S	5/12/24	330	100	60	2,000	0.94	33	2.55	0.10	23	152
G9232L	5/12/24	480	170	90	2,400	1.13	40	3.47	0.14	28	152
G9232M	12/24	-	270	140	2,800	1.35	48	4.59	0.18	32	152
G9232H	12/24	-	360	200	3,200	1.56	55	6.02	0.24	35	152
G9232E	12/24	-	520	270	3,600	1.71	60	7.14	0.28	38	152
G9232X	12/24	-	680	360	4,000	1.92	68	8.25	0.33	44	152