

# TRF370x Quadrature Modulator Evaluation Module

## User's Guide



Literature Number: SLWU062

March 2010



---

---

---

<b>1</b>	<b>Overview</b> .....	<b>5</b>
1.1	Purpose .....	5
1.2	EVM Circuit Overview .....	5
1.3	Power Requirements .....	5
1.4	TRF370x EVM Operating Procedure .....	6
<b>2</b>	<b>Physical Description</b> .....	<b>11</b>
2.1	PCB Layout .....	11
2.2	Parts List .....	16
<b>3</b>	<b>Circuit Description</b> .....	<b>16</b>
3.1	Circuit Function .....	16
<b>4</b>	<b>Circuit Board</b> .....	<b>17</b>
<b>5</b>	<b>Schematic</b> .....	<b>18</b>

---

## List of Figures

1	Unadjusted Sideband Suppression .....	7
2	Optimized Sideband Suppression .....	8
3	GSM EDGE EVM at 1800 MHz .....	9
4	1.5-V Interface Network for 19.2 mA Full Scale .....	10
5	3.3-V Interface Network for 19.2 mA Full Scale .....	10
6	Top Layer 1 .....	11
7	Top Layer 2 .....	12
8	Ground Plane 1 .....	12
9	Ground Plane 2 .....	13
10	Bottom Layer 1 .....	13
11	Bottom Layer 2 .....	14
12	Drill Pattern .....	15
13	Silkscreen Top Layer .....	17
14	TRF370x EVM Schematic .....	18

## List of Tables

1	Bill of Materials for TRF370x EVM .....	16
2	Power Supply Connection .....	17

# ***TRF370x Quadrature Modulator Evaluation Module***

---

---

---

## **1 Overview**

This document relates to the TRF370x direct quadrature modulator for applications in the transmit path of base stations and communications equipment. The quadrature modulator is used for upconversion of signals from the transmit chain DAC to the RF power amplifier device. Evaluating modulator complex performance involves careful bias-voltage setup, an LO signal, and two differential (I/Q) signals at the input of the modulator. This document describes the wide range of test options available and the factors that must be considered in using this EVM.

### **1.1 Purpose**

The TRF370x evaluation module (EVM) is intended for the evaluation of the TRF370333, TRF370317, TRF370315, and TRF370417 direct-launch quadrature modulators. Unless otherwise stated, the functionality described in this manual applies to all the TRF370x devices.

### **1.2 EVM Circuit Overview**

The EVM comes configured for differential I/Q input signals via four SMA connectors as shown in the schematic, [Figure 14](#), and in [Table 1](#).

For the upper sideband, the I signals are connected to J4 (I+) and J3 (I–). The Q signals are connected to J5 (Q–) and J6 (Q+). The LO signal is fed to SMA connector J1, whereas J2 must be terminated with 50  $\Omega$  to ground. SMA connector J7 is used to monitor the RF output signal from the quadrature modulator (U1).

The quadrature modulator requires a supply voltage of 4.5 V–5.5V from a regulated power supply through headers TP2 and TP4.

The TRF370x quadrature modulators require a dc common-mode bias voltage (3.3 VDC, 1.7 VDC, or 1.5 VDC, corresponding to the last two digits of the part number) on all four input pins.

### **1.3 Power Requirements**

The TRF370x EVM requires two 5-V  $V_{CC}$  dc power-supply connectors through headers TP2 and TP4. Header TP4 supplies 5 V to the LO circuitry, and TP2 supplies 5 V to the modulator circuitry.

#### **CAUTION**

Voltage Limits

Exceeding 5.6 V may damage the TRF370x.

## 1.4 TRF370x EVM Operating Procedure

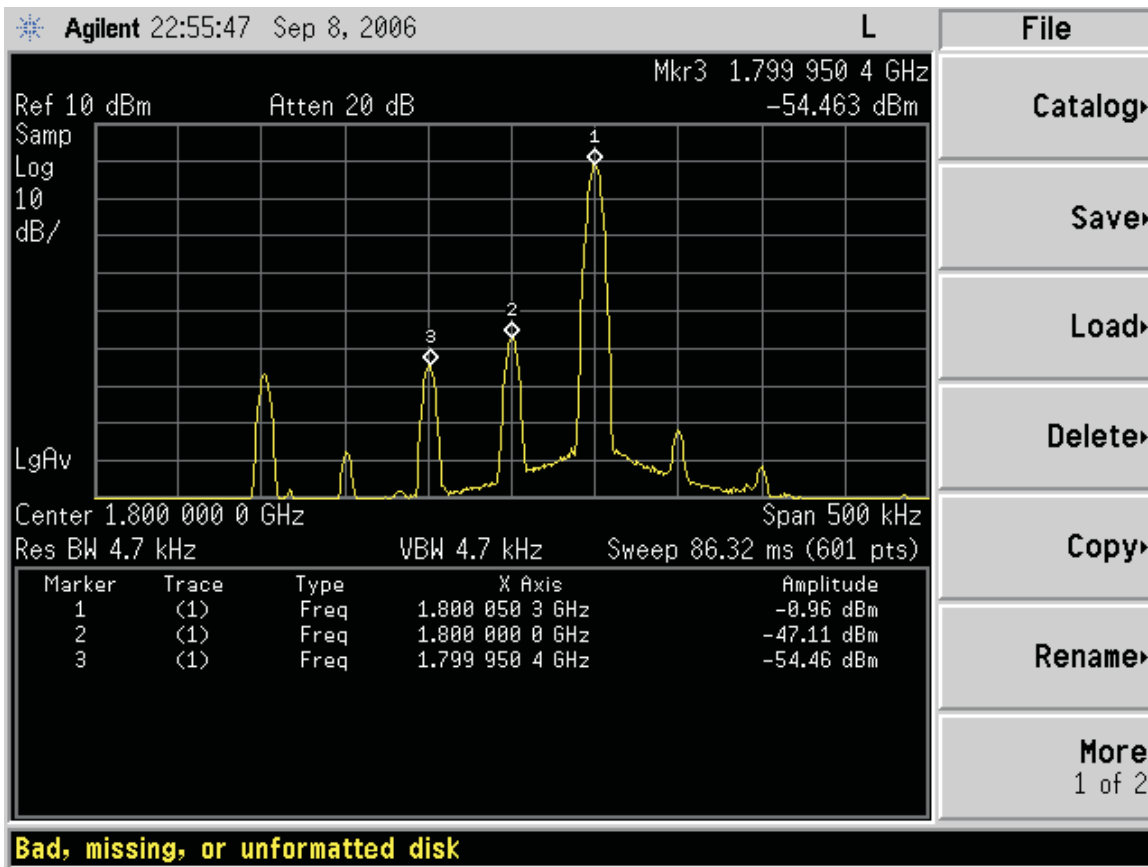
Set up the EVM as follows:

1. Power-supply connection:
  - (a) Switch on the  $V_{CC}$  (5-V) supply and set the current limit to 235 mA.
  - (b) Connect the 5-V supply to headers TP2 and TP4. Connect ground to TP1 and TP3.
  - (c) Verify that the current draw is  $\leq 205$  mA for the TRF370x1x and  $\leq 235$  mA for the TRF370333.
2. Use a suitable 50- $\Omega$  output signal generator or the TRF3761 to supply the LO signal at the desired frequency to J1, and terminate J2 with 50  $\Omega$  to ground.
3. Use a DAC or an arbitrary waveform generator to provide the I/Q input signals. A typical setup is as follows: a 1-V<sub>p-p</sub> sine wave, a frequency of 50 kHz, a dc offset of 0 V, and an output impedance of 50  $\Omega$  (typically an ESG vector signal generator or similar).
4. Set the common mode on the ESG to either 1.65 V, 0.75 V, or 0.85 V, depending on device type (set to 1.65 V for the TRF370333, to 0.75 V for the TRF370315, or to 0.85 V for the TRF370x17).
5. Use an arbitrary waveform generator to suppress the sideband. Adjust the I/Q amplitude and phase of the CW signal coming from the arbitrary waveform generator.
6. Connect a spectrum analyzer to the SMA connector marked RFOUT (J7) and monitor the TRF370x output.

### 1.4.1 Typical Test Results

#### 1.4.1.1 Unadjusted Sideband Suppression

Unadjusted sideband suppression measures the amount of the unwanted sideband of the input signal, relative to the wanted sideband. This assumes that the baseband inputs delivered to the modulator input pins are perfectly matched in amplitude and are exactly 90° out of phase. Unadjusted sideband suppression is measured in dBc. An iterative test is required in order to match perfectly the inputs to the modulator. This ensures that any equipment, board, or signal conditioning component imbalances are corrected before the signals are applied to the device under test. Once the baseband inputs to the modulator are balanced, the amount of suppression attained is a measure of the internal mismatches of the modulator, inherent to any modulator design. This suppression is the one specified in the TRF370x data sheet. See [Figure 1](#).

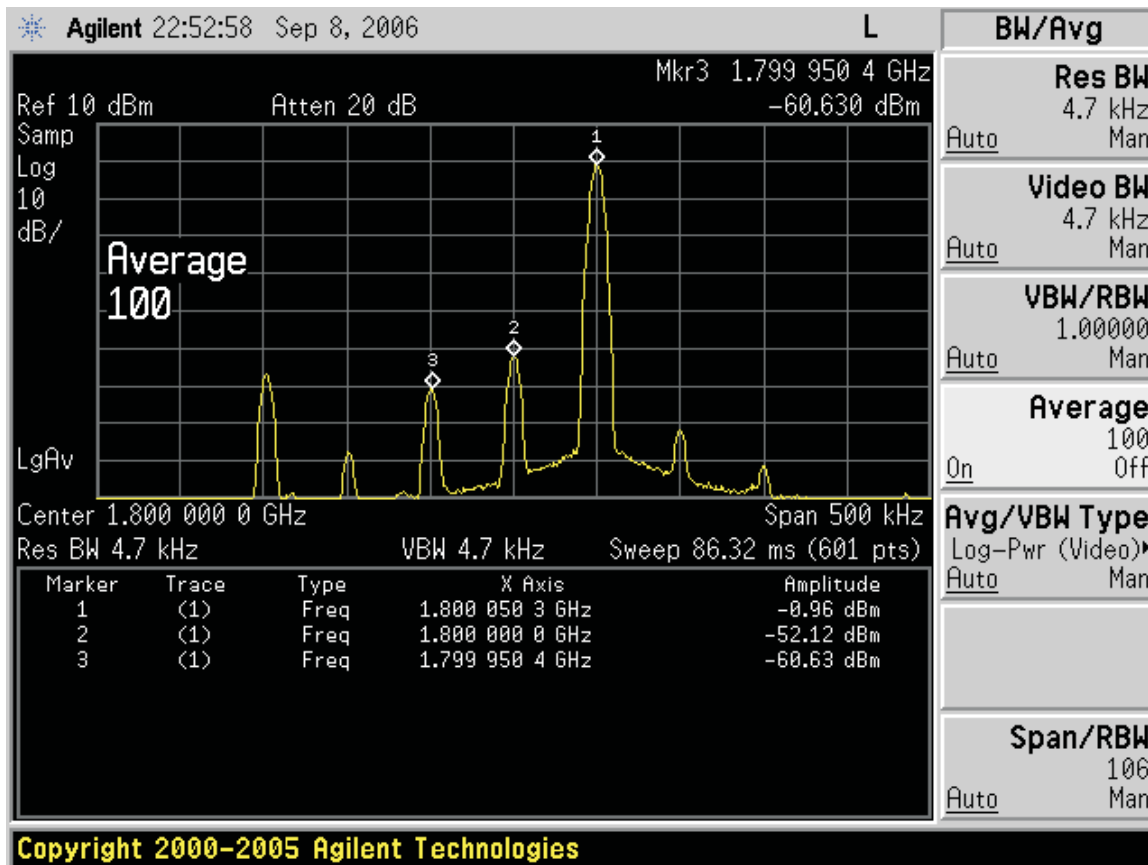


C003

Figure 1. Unadjusted Sideband Suppression

### 1.4.1.2 Optimized Sideband Suppression

The sideband suppression of the TRF370x can be optimized by adjusting the amplitude and phase balance between the quadrature inputs. The ideal condition is when all four inputs (I,  $\bar{I}$ , Q, and  $\bar{Q}$ ) have exactly the same amplitude and the phase relationship is:  $I = 0^\circ$ ,  $\bar{I} = 180^\circ$ ,  $Q = 90^\circ$ , and  $\bar{Q} = 270^\circ$ . Using an iterative procedure, the gain and phase balance can be adjusted to achieve suppression levels that exceed 60 dBc. The level of suppression observed depends on the amount of resolution available from the source driving the modulator. By using TI's DAC568x, the user can take advantage of built-in features to optimize the sideband suppression by changing the amplitude and phase relationship of the signals. If another DAC is used, then the user must provide this level of adjustment by controlling the regular digital inputs to the DAC. See [Figure 2](#).



C002

Figure 2. Optimized Sideband Suppression

### 1.4.1.3 Carrier Feedthrough

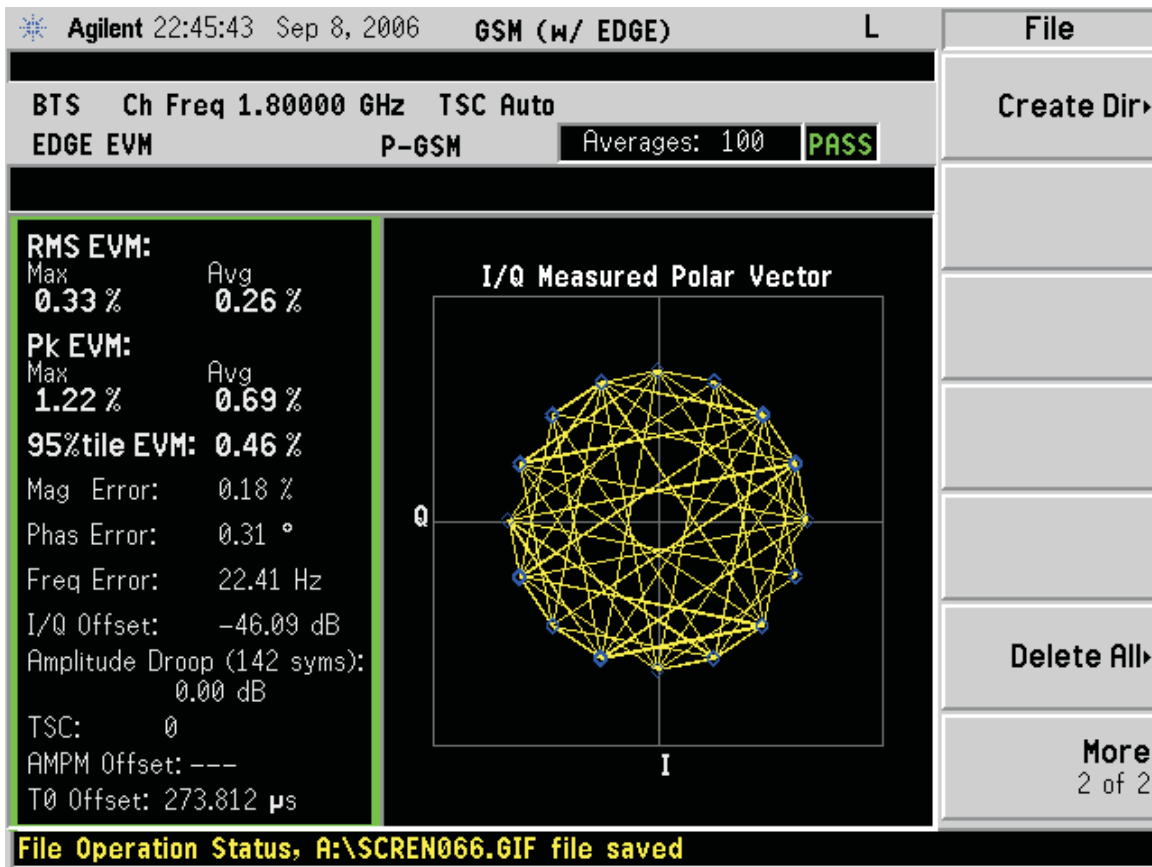
Carrier feedthrough is the amount of the LO that leaks onto the output spectrum of the modulator. Ideally for the TRF370x, inputs (I,  $\bar{I}$ , Q, and  $\bar{Q}$ ) must be at approximately 3.3 V for TRF370333, 1.5 V for TRF370315, and 1.7 V for TRF370317 and TFR370417. The DAC dc settings are also useful to correct the dc mismatch between I and  $\bar{I}$  and between Q and  $\bar{Q}$  to minimize the LO feedthrough. If using TI's DAC568x, then the internal controls for the I/Q offsets provide excellent carrier suppression (very low LO leakage). Alternatively, if an ESG is being used, adjust the I and Q voltage offsets in mV steps until you obtain the minimum carrier feedthrough. A typical carrier feedthrough value exceeds -50 dBm. See [Figure 2](#).

### 1.4.1.4 GSM (EDGE EVM Measurements)

1. Provide a GSM edge signal of the desired frequency into the differential baseband inputs (example sample rate = 4.33 MHz).
2. Use a spectrum analyzer with edge personality to measure the transmit power to either 0 or -5 dBm.
3. PSA: Mode → GSM (with EDGE) → measure → Transmit Pwr (usually 0 or -5 dBm) → more → EDGE EVM.
4. ESG: Mode setup → select waveform → highlight EDGE → select waveform → ARB setup → type 4.33333 MHz → I/Q → I/Q output control → Common mode I/Q offset → (set to 1.65 V, 0.75 V, or 0.85 V, depending on device) → I/Q → I/Q output control → I/Q output atten (adjust to get desired transmit power to either 0 or -5 dBm).

See [Figure 3](#).



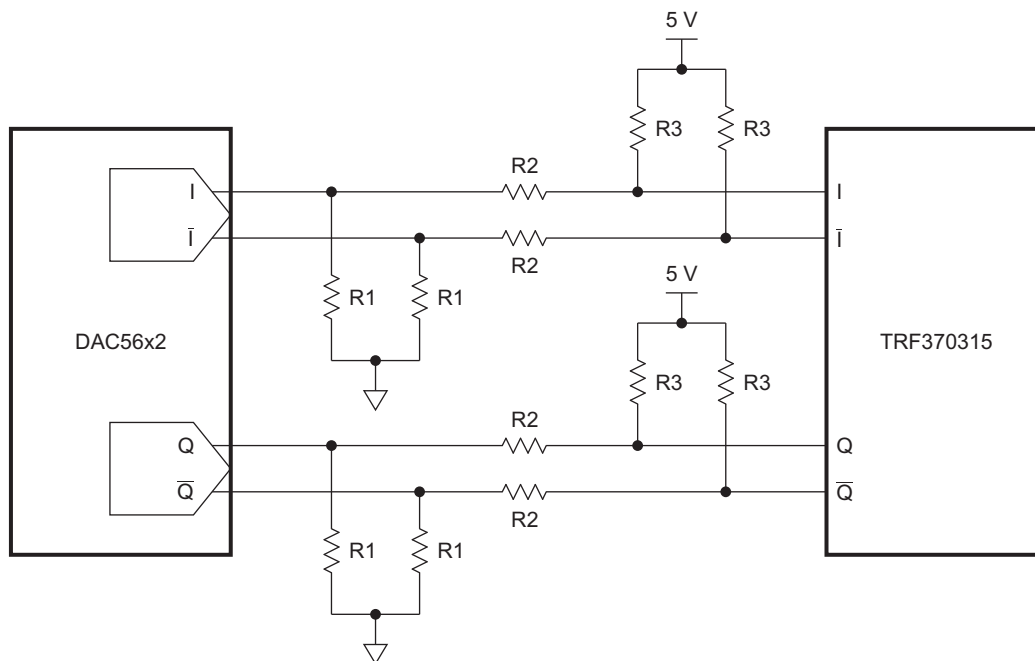


C001

Figure 3. GSM EDGE EVM at 1800 MHz

#### 1.4.2 Interface to TI's DAC

All the TRF370x devices work well with TI's DACs. [Figure 4](#) shows an example of the interface network between a DAC56x2 and a TRF370315. [Figure 5](#) shows an example of interfacing the DAC568x to the TRF370333 with options for selecting the desired amount of attenuation between the two. Additional interfacing networks for each modulator can be found in their respective data sheets or by using the DAC interface calculator ([SLWC083](#)).

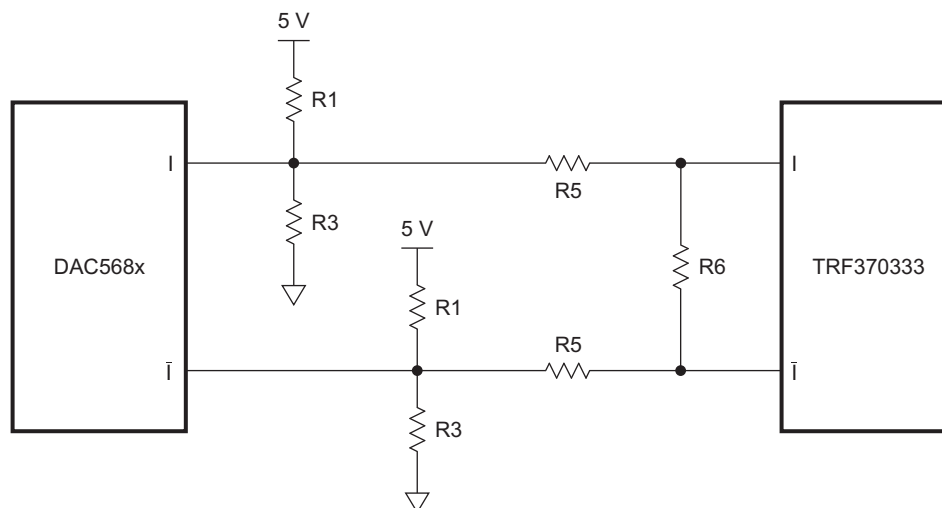


S0225-02

TYPICAL VALUES		
R1	R2	R3
53 Ω	210 Ω	931 Ω

NOTE: A DAC interface calculator is available ([SLWC083](#)).

**Figure 4. 1.5-V Interface Network for 19.2 mA Full Scale**



S0226-02

LOSS		1 dB	2 dB	3 dB	4 dB	5 dB
Pullup	R1	115	115	115	115	115
Pulldown	R3	634	634	634	634	634
Series	R5	11	21	30	37.4	45.3
Shunt	R6	187	165	147	130	118

**Figure 5. 3.3-V Interface Network for 19.2 mA Full Scale**

## 2 Physical Description

This chapter discusses the four-layer PCB layout, component placement, and list of components used on the evaluation module.

### 2.1 PCB Layout

The EVM is constructed on a four-layer, 38,1-mm x 38,1-mm x 1,579-mm thick PCB using FR-4 material. Figure 6 through Figure 12 show the individual layers.

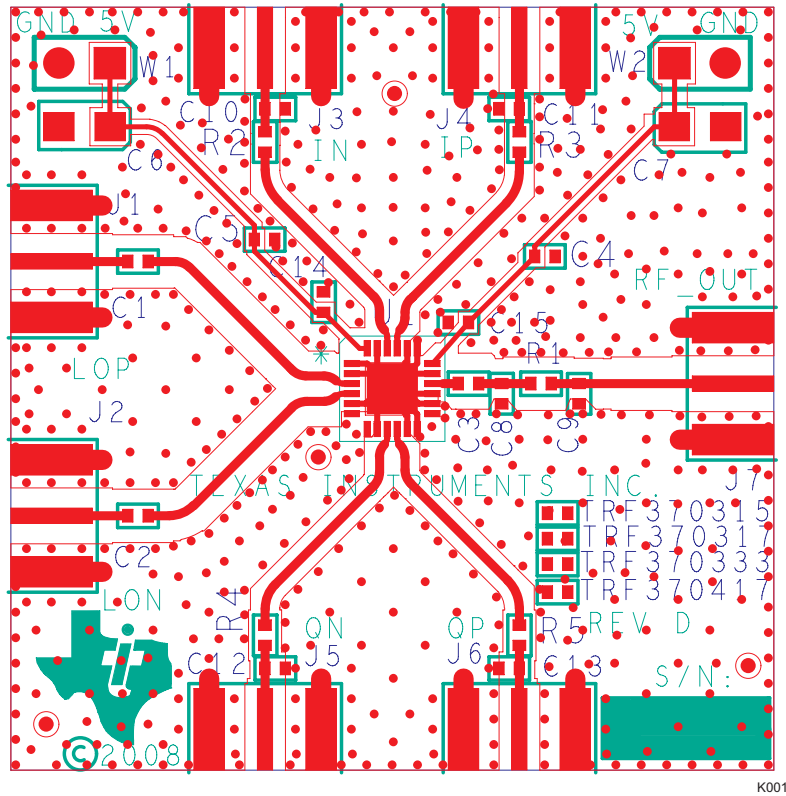
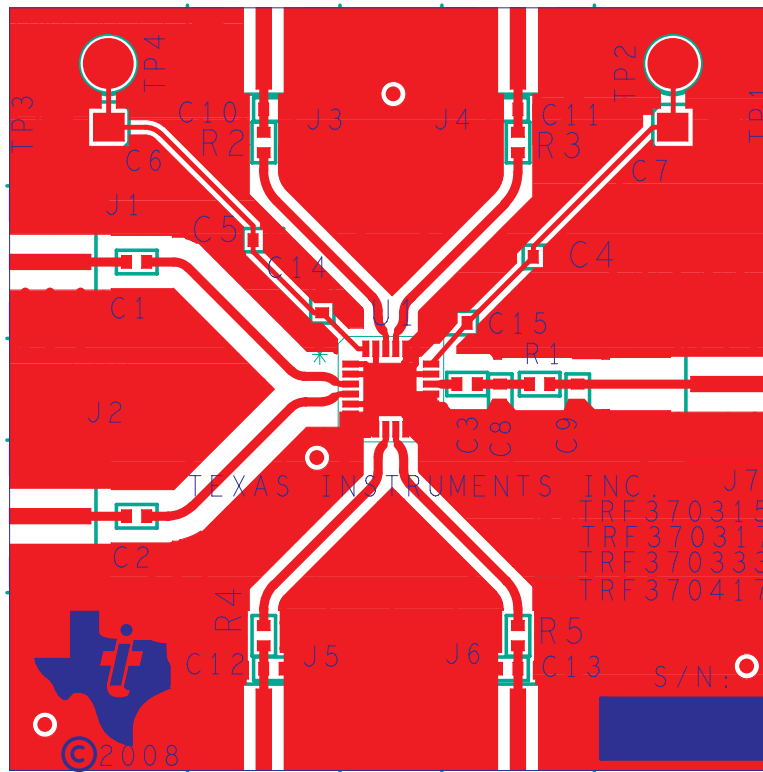
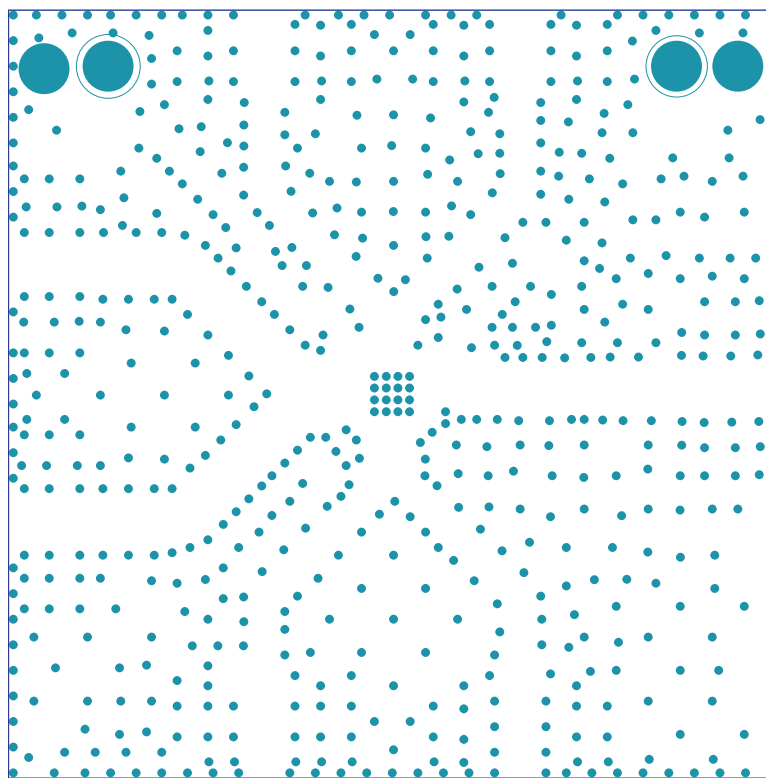


Figure 6. Top Layer 1



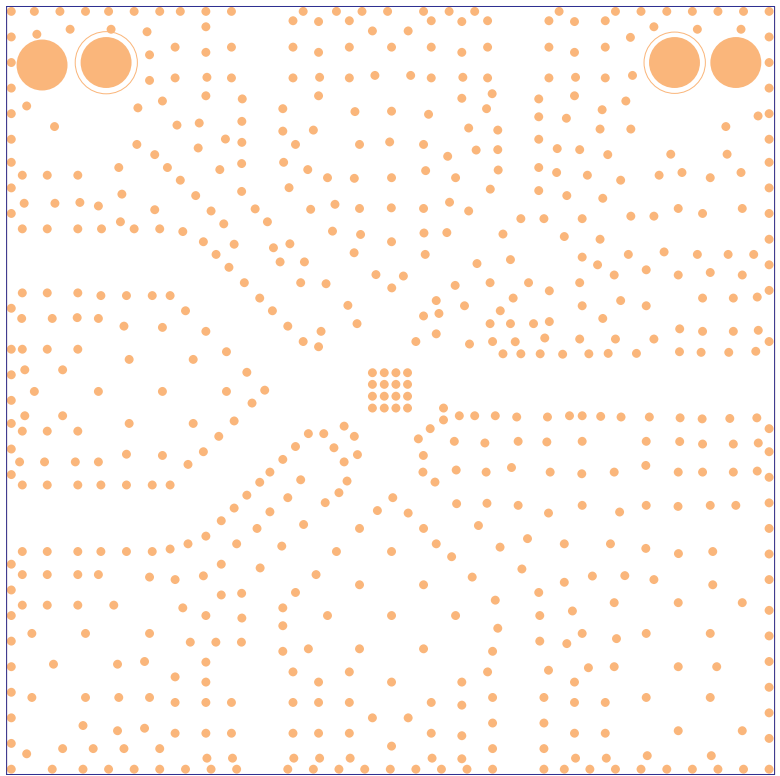
K002

Figure 7. Top Layer 2



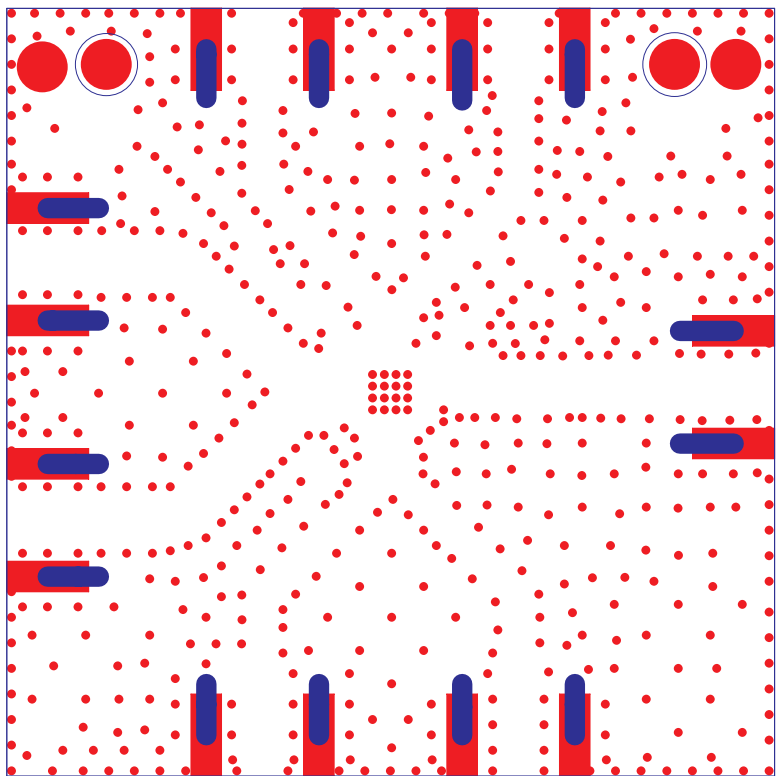
K003

Figure 8. Ground Plane 1



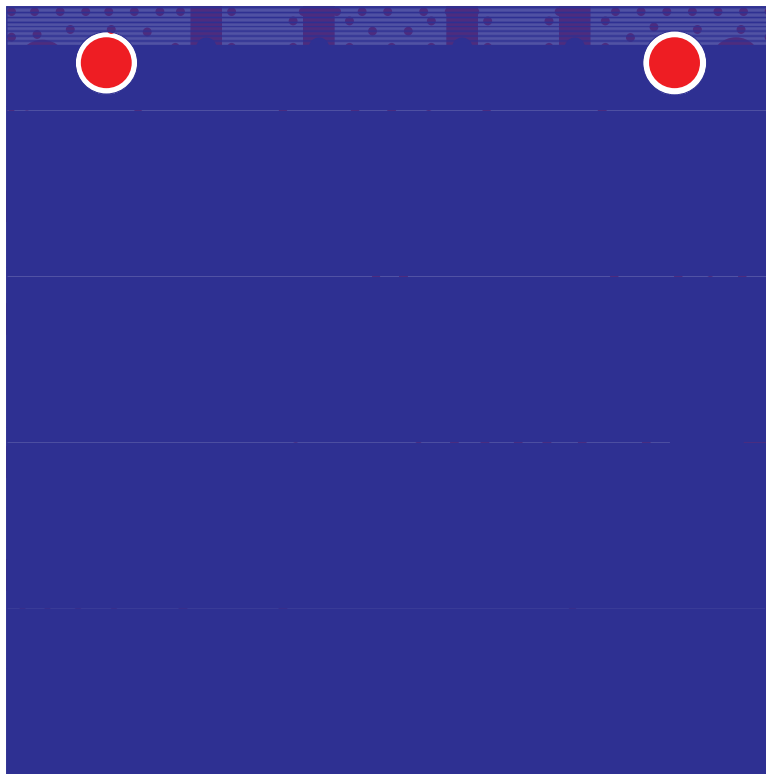
K004

Figure 9. Ground Plane 2



K005

Figure 10. Bottom Layer 1

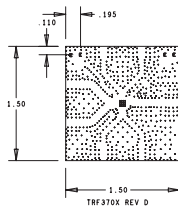


K006

**Figure 11. Bottom Layer 2**

UNLESS OTHERWISE SPECIFIED, ALL NOTES ARE APPLICABLE.  
 NOTES PRECEDED BY AN UNMARKED "□" ARE NOT APPLICABLE.

DRILL CHART: TOP to BOTTOM ALL UNITS ARE IN MILS			
FIGURE	SIZE	PLATED	QTY
.	8.0	PLATED	662
ε	40.0	PLATED	4



1. APPLICATION DESIGN MANUFACTURING AND INSPECTION DOCUMENTS, IPC-2221A & IPC-2222 / DESIGN STANDARD FOR RIGID PRINTED CIRCUIT BOARDS AND RIGID PRINTED BOARD ASSEMBLIES.  
IPC-6012B / QUALIFICATION AND PERFORMANCE SPECIFICATION FOR RIGID PRINTED BOARD.  
IPC-A-600G / ACCEPTABILITY OF PRINTED BOARDS.
2. HOLE SIZE APPLY AFTER PLATING. TOLERANCE TO BE +/- .003.
3. REGISTRATION TOLERANCE: ARTWORK +/- .002  
ALL HOLE CENTERS +/- .005 FROM DIMENSION DATUM.
4. MINIMUM COPPER WALL THICKNESS SHALL BE .001 INCH, FOR ALL PLATED THROUGH HOLES. BREAKOUT NOT ALLOWED.
5. PROCESS AND MATERIAL MUST CONFORM TO UL 796. MATERIAL MUST MEET OR EXCEED UL FLAMMABILITY RATING 94V-0.  
MATERIAL:  SINGLE SIDE,  DOUBLE SIDE,  MULTI-LAYER POLYCLAD 370HR  
TOP METAL TO GND PLANE DIELECTRIC THICKNESS TO BE 10 MILS +/- .5 MILS  
BOARD THICKNESS: .062 +/- .006  
NUMBER OF FINISHED LAYERS: 4
6.  MANUFACTURE'S UL MARKING, FLAMMABILITY RATING,  LOGO AND DATE CODE TO BE PLACED IN SILKSCREEN ON BOTTOM SIDE OF THE BOARD.
7. SOLDERMASK BOTH SIDES USING TAIYO (OR EQUIVALENT), COLOR-RED (0.001 TO 0.002" THICK OVER METAL).
8. SILKSCREEN  TOP SIDE  BOTH SIDES, USING  YELLOW  WHITE NPI LEADFREE. REGISTRATION TOLERANCE TO BE +/- .005. INK IS NOT ALLOWED ON EXPOSED PLATED AREA.
9. P.C. BOARD TO BE FREE OF DIRT, OIL, FINGER PRINTS, ETC.
10. BOARD WARPAGE: WARP AND TWIST SHALL NOT EXCEED .007 INCH PER INCH MEASURED AT ANY LOCATION OR DIRECTION ON THE BOARD.
11. BOARD MUST BE 100% ELECTRICALLY TESTED TO ENSURE NO SHORTS OR OPEN CIRCUITS AT 20V.
12.  ALL INNER LAYER UNCONNECTED PADS SHALL BE REMOVED.
13.  ALL INNER LAYER THERMALS ON 8 HOLES TO BE CHANGED TO DIRECT TIES TO THE PLANE LAYERS.
14. TOP LAYER 18MIL TRACES TO BE 50 OHM IMPEDANCE, REFERENCE LAYER 2.
15. MINIMUM COPPER CONDUCTOR WIDTH IS: 10MIL.  
MINIMUM COPPER SPACING IS: 5MIL.
16. SMOBC/IMMERSION GOLD: 5-15 μIN OVER 100-200 NICKEL.  
IMMERSION GOLD.
17. NO CHANGES TO THE ARTWORK ARE PERMITTED WITHOUT WRITTEN AUTHORIZATION.
18. ALL THRU HOLE VIAS TO BE PLUGGED WITH NON-CONDUCTIVE EPOXY MATERIAL. PLUGGED VIAS TO BE PLATED AFTER PLUGGING TO PRESENT FLAT SURFACE TO DEVICE - NO POTHOLE.
19. GROUND ETCH ON ALL LAYERS TO BOARD EDGE IS INTENTIONAL. DO NOT PULL BACK.

D001

**Figure 12. Drill Pattern**

## 2.2 Parts List

**Table 1. Bill of Materials for TRF370x EVM**

Item Number	Quantity	Reference Designator	Value	PCB Footprint	Mfr. Name	Mfr. Part Number	Note
1	3	C1, C2, C3	100 pF	0402	PANASONIC	ECJ-0EC1H101J	
2	2	C4, C5	1000 pF	0402	PANASONIC	ECJ-0VC1H102J	
3	2	C6, C7	4.7 $\mu$ F	TANT_A	KERMET	T491A475K016AS	
4	0	C8, C9	1 $\mu$ F	0402	PANASONIC	ECJ-0EC1H010C_DNI	DNI
5	0	C10, C11, C12, C13	0.1 $\mu$ F	0402	PANASONIC	ECJ-0EB1A104K_DNI	DNI
6	2	C14, C15	10 pF	0402	MURATA	GRM1555C1H100JZ01D	
7	7	J1, J2, J3, J4, J5, J6, J7	LOP	SMA_SMEL_250x215	JOHNSON COMPONENTS	142-0711-821	
8	2	R1	0	0402	PANASONIC	ERJ-2GE0R00	OR EQUIVALENT
9	4	R2, R3, R4, R5	0	0402	PANASONIC	ERJ-2GE0R00	OR EQUIVALENT
10	1	U1	TRF370333	QFN_24_163x163_0p50mm	TI	TRF370333	For TRF370333 EVM, TI supplied
			TRF370317	QFN_24_163x163_0p50mm	TI	TRF370317	For TRF370317 EVM, TI supplied
			TRF370315	QFN_24_163x163_0p50mm	TI	TRF370315	For TRF370315 EVM, TI supplied
			TRF370417	QFN_24_163x163_0p50mm	TI	TRF370417	For TRF370417 EVM, TI supplied
11	2	TP1, TP3	BLK	TP_THVT_100_RND	KEYSTONE	5001K	
12	2	TP2, TP4	RED	TP_THVT_100_RND	KEYSTONE	5000K	

## 3 Circuit Description

This chapter discusses the various functions of the EVM.

### 3.1 Circuit Function

- Headers TP2 and TP4 supply 5-V  $V_{CC}$  dc power to the modulator. Header TP4 supplies 5 V to the LO circuitry, and TP2 supplies 5 V to the modulator circuitry.
- Four SMA connectors are provided on the EVM for inputting differential I/Q signals directly to the input pins of the TRF370x. Connectors J3, J4, J5, and J6 are used to connect the signal source I/Q signals directly to the TRF370x.
- Two SMA connectors are provided for LO input: J1 = LOP and J2 = LON. Terminate whichever LO port is not being used through 50  $\Omega$  to ground.
- One SMA connector is for RF\_OUT: J7.



3.1.1 Power

Table 2. Power Supply Connection

Power Supply Connection	Description
TP4	5-V (V <sub>CC</sub> ), U1 analog supply
TP2	5-V (V <sub>CC</sub> ), U1 analog supply
TP3, TP1	Analog ground

4 Circuit Board

This chapter shows the circuit board test points.

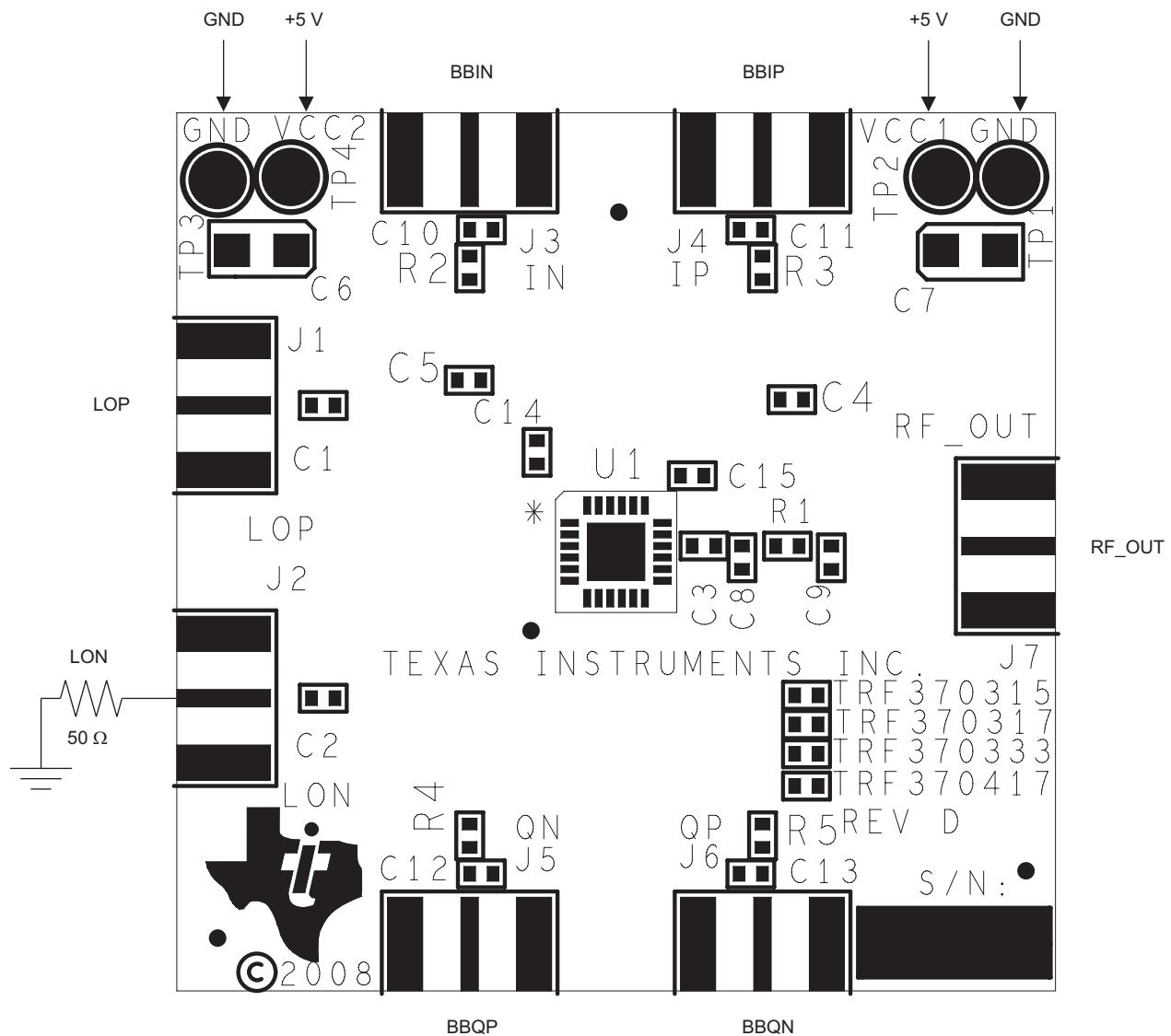
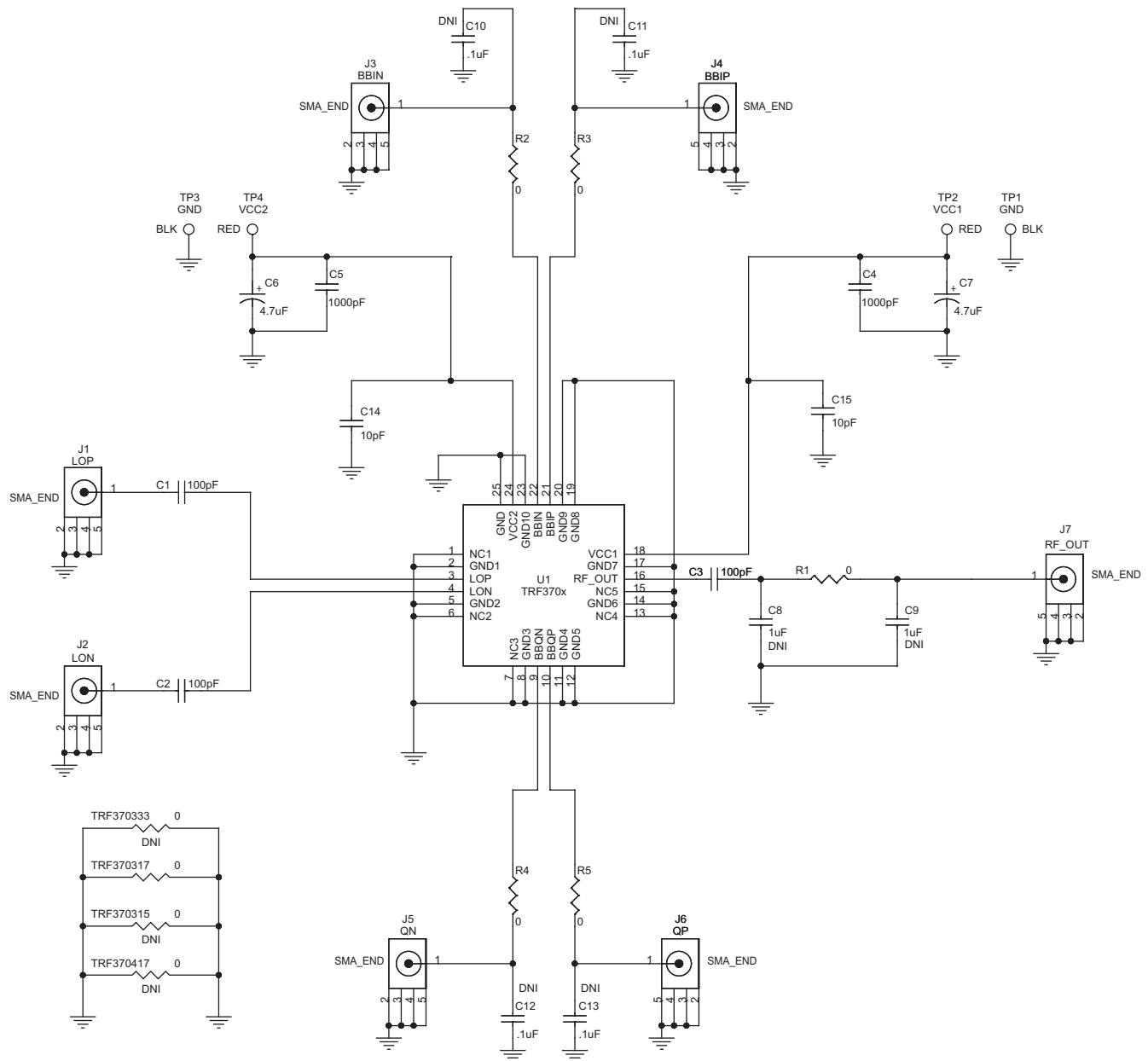


Figure 13. Silkscreen Top Layer

K007

## 5 Schematic

This chapter shows the EVM schematic.



DNI = Do not install.

S0214-03

Figure 14. TRF370x EVM Schematic

## EVALUATION BOARD/KIT IMPORTANT NOTICE

Texas Instruments (TI) provides the enclosed product(s) under the following conditions:

This evaluation board/kit is intended for use for **ENGINEERING DEVELOPMENT, DEMONSTRATION, OR EVALUATION PURPOSES ONLY** and is not considered by TI to be a finished end-product fit for general consumer use. Persons handling the product(s) must have electronics training and observe good engineering practice standards. As such, the goods being provided are not intended to be complete in terms of required design-, marketing-, and/or manufacturing-related protective considerations, including product safety and environmental measures typically found in end products that incorporate such semiconductor components or circuit boards. This evaluation board/kit does not fall within the scope of the European Union directives regarding electromagnetic compatibility, restricted substances (RoHS), recycling (WEEE), FCC, CE or UL, and therefore may not meet the technical requirements of these directives or other related directives.

Should this evaluation board/kit not meet the specifications indicated in the User's Guide, the board/kit may be returned within 30 days from the date of delivery for a full refund. **THE FOREGOING WARRANTY IS THE EXCLUSIVE WARRANTY MADE BY SELLER TO BUYER AND IS IN LIEU OF ALL OTHER WARRANTIES, EXPRESSED, IMPLIED, OR STATUTORY, INCLUDING ANY WARRANTY OF MERCHANTABILITY OR FITNESS FOR ANY PARTICULAR PURPOSE.**

The user assumes all responsibility and liability for proper and safe handling of the goods. Further, the user indemnifies TI from all claims arising from the handling or use of the goods. Due to the open construction of the product, it is the user's responsibility to take any and all appropriate precautions with regard to electrostatic discharge.

**EXCEPT TO THE EXTENT OF THE INDEMNITY SET FORTH ABOVE, NEITHER PARTY SHALL BE LIABLE TO THE OTHER FOR ANY INDIRECT, SPECIAL, INCIDENTAL, OR CONSEQUENTIAL DAMAGES.**

TI currently deals with a variety of customers for products, and therefore our arrangement with the user **is not exclusive.**

TI assumes **no liability for applications assistance, customer product design, software performance, or infringement of patents or services described herein.**

Please read the User's Guide and, specifically, the Warnings and Restrictions notice in the User's Guide prior to handling the product. This notice contains important safety information about temperatures and voltages. For additional information on TI's environmental and/or safety programs, please contact the TI application engineer or visit [www.ti.com/esh](http://www.ti.com/esh).

No license is granted under any patent right or other intellectual property right of TI covering or relating to any machine, process, or combination in which such TI products or services might be or are used.

### FCC Warning

This evaluation board/kit is intended for use for **ENGINEERING DEVELOPMENT, DEMONSTRATION, OR EVALUATION PURPOSES ONLY** and is not considered by TI to be a finished end-product fit for general consumer use. It generates, uses, and can radiate radio frequency energy and has not been tested for compliance with the limits of computing devices pursuant to part 15 of FCC rules, which are designed to provide reasonable protection against radio frequency interference. Operation of this equipment in other environments may cause interference with radio communications, in which case the user at his own expense will be required to take whatever measures may be required to correct this interference.

Mailing Address: Texas Instruments, Post Office Box 655303, Dallas, Texas 75265  
Copyright © 2010, Texas Instruments Incorporated

### EVM WARNINGS AND RESTRICTIONS

It is important to operate this EVM within the input voltage range of 4.5 V to 5.5 V and the output voltage range of 4.5 V to 5.5 V.

Exceeding the specified input range may cause unexpected operation and/or irreversible damage to the EVM. If there are questions concerning the input range, please contact a TI field representative prior to connecting the input power.

Applying loads outside of the specified output range may result in unintended operation and/or possible permanent damage to the EVM. Please consult the EVM User's Guide prior to connecting any load to the EVM output. If there is uncertainty as to the load specification, please contact a TI field representative.

During normal operation, some circuit components may have case temperatures greater than 59°C. The EVM is designed to operate properly with certain components above -40°C as long as the input and output ranges are maintained. These components include but are not limited to linear regulators, switching transistors, pass transistors, and current sense resistors. These types of devices can be identified using the EVM schematic located in the EVM User's Guide. When placing measurement probes near these devices during operation, please be aware that these devices may be very warm to the touch.

Mailing Address: Texas Instruments, Post Office Box 655303, Dallas, Texas 75265  
Copyright © 2010, Texas Instruments Incorporated

## IMPORTANT NOTICE

Texas Instruments Incorporated and its subsidiaries (TI) reserve the right to make corrections, modifications, enhancements, improvements, and other changes to its products and services at any time and to discontinue any product or service without notice. Customers should obtain the latest relevant information before placing orders and should verify that such information is current and complete. All products are sold subject to TI's terms and conditions of sale supplied at the time of order acknowledgment.

TI warrants performance of its hardware products to the specifications applicable at the time of sale in accordance with TI's standard warranty. Testing and other quality control techniques are used to the extent TI deems necessary to support this warranty. Except where mandated by government requirements, testing of all parameters of each product is not necessarily performed.

TI assumes no liability for applications assistance or customer product design. Customers are responsible for their products and applications using TI components. To minimize the risks associated with customer products and applications, customers should provide adequate design and operating safeguards.

TI does not warrant or represent that any license, either express or implied, is granted under any TI patent right, copyright, mask work right, or other TI intellectual property right relating to any combination, machine, or process in which TI products or services are used. Information published by TI regarding third-party products or services does not constitute a license from TI to use such products or services or a warranty or endorsement thereof. Use of such information may require a license from a third party under the patents or other intellectual property of the third party, or a license from TI under the patents or other intellectual property of TI.

Reproduction of TI information in TI data books or data sheets is permissible only if reproduction is without alteration and is accompanied by all associated warranties, conditions, limitations, and notices. Reproduction of this information with alteration is an unfair and deceptive business practice. TI is not responsible or liable for such altered documentation. Information of third parties may be subject to additional restrictions.

Resale of TI products or services with statements different from or beyond the parameters stated by TI for that product or service voids all express and any implied warranties for the associated TI product or service and is an unfair and deceptive business practice. TI is not responsible or liable for any such statements.

TI products are not authorized for use in safety-critical applications (such as life support) where a failure of the TI product would reasonably be expected to cause severe personal injury or death, unless officers of the parties have executed an agreement specifically governing such use. Buyers represent that they have all necessary expertise in the safety and regulatory ramifications of their applications, and acknowledge and agree that they are solely responsible for all legal, regulatory and safety-related requirements concerning their products and any use of TI products in such safety-critical applications, notwithstanding any applications-related information or support that may be provided by TI. Further, Buyers must fully indemnify TI and its representatives against any damages arising out of the use of TI products in such safety-critical applications.

TI products are neither designed nor intended for use in military/aerospace applications or environments unless the TI products are specifically designated by TI as military-grade or "enhanced plastic." Only products designated by TI as military-grade meet military specifications. Buyers acknowledge and agree that any such use of TI products which TI has not designated as military-grade is solely at the Buyer's risk, and that they are solely responsible for compliance with all legal and regulatory requirements in connection with such use.

TI products are neither designed nor intended for use in automotive applications or environments unless the specific TI products are designated by TI as compliant with ISO/TS 16949 requirements. Buyers acknowledge and agree that, if they use any non-designated products in automotive applications, TI will not be responsible for any failure to meet such requirements.

Following are URLs where you can obtain information on other Texas Instruments products and application solutions:

<b>Products</b>		<b>Applications</b>	
Amplifiers	<a href="http://amplifier.ti.com">amplifier.ti.com</a>	Audio	<a href="http://www.ti.com/audio">www.ti.com/audio</a>
Data Converters	<a href="http://dataconverter.ti.com">dataconverter.ti.com</a>	Automotive	<a href="http://www.ti.com/automotive">www.ti.com/automotive</a>
DLP® Products	<a href="http://www.dlp.com">www.dlp.com</a>	Communications and Telecom	<a href="http://www.ti.com/communications">www.ti.com/communications</a>
DSP	<a href="http://dsp.ti.com">dsp.ti.com</a>	Computers and Peripherals	<a href="http://www.ti.com/computers">www.ti.com/computers</a>
Clocks and Timers	<a href="http://www.ti.com/clocks">www.ti.com/clocks</a>	Consumer Electronics	<a href="http://www.ti.com/consumer-apps">www.ti.com/consumer-apps</a>
Interface	<a href="http://interface.ti.com">interface.ti.com</a>	Energy	<a href="http://www.ti.com/energy">www.ti.com/energy</a>
Logic	<a href="http://logic.ti.com">logic.ti.com</a>	Industrial	<a href="http://www.ti.com/industrial">www.ti.com/industrial</a>
Power Mgmt	<a href="http://power.ti.com">power.ti.com</a>	Medical	<a href="http://www.ti.com/medical">www.ti.com/medical</a>
Microcontrollers	<a href="http://microcontroller.ti.com">microcontroller.ti.com</a>	Security	<a href="http://www.ti.com/security">www.ti.com/security</a>
RFID	<a href="http://www.ti-rfid.com">www.ti-rfid.com</a>	Space, Avionics & Defense	<a href="http://www.ti.com/space-avionics-defense">www.ti.com/space-avionics-defense</a>
RF/IF and ZigBee® Solutions	<a href="http://www.ti.com/lprf">www.ti.com/lprf</a>	Video and Imaging	<a href="http://www.ti.com/video">www.ti.com/video</a>
		Wireless	<a href="http://www.ti.com/wireless-apps">www.ti.com/wireless-apps</a>

Mailing Address: Texas Instruments, Post Office Box 655303, Dallas, Texas 75265  
Copyright © 2010, Texas Instruments Incorporated