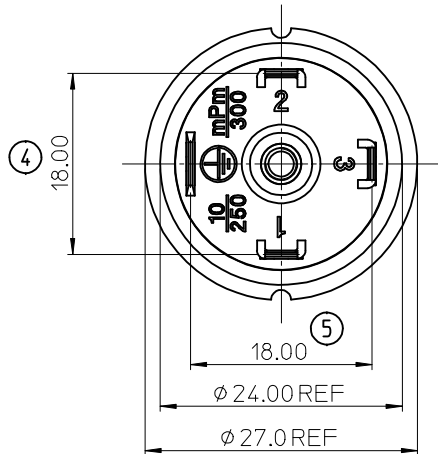
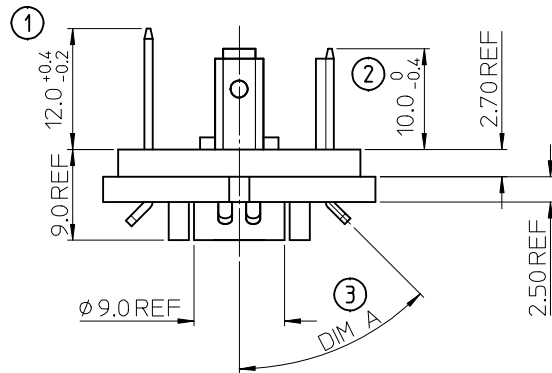
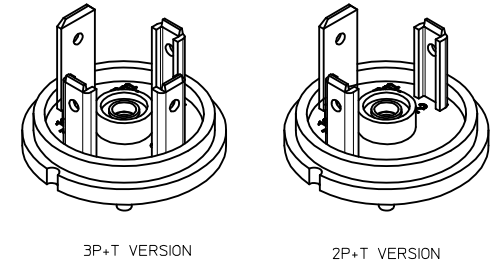
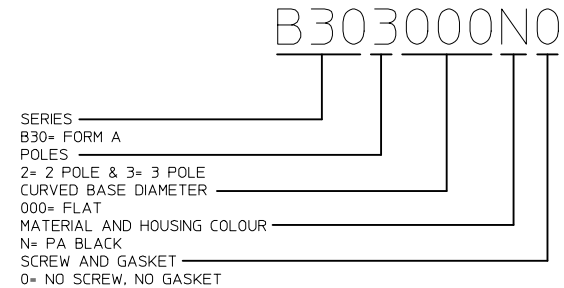


ITEM	DESCRIPTION
1	TERMINALS
2	BASE HOUSING
3	CENTRE SCREW INSERT



NOTES  
 1. PLEASE SEE TABLE FOR CURRENTLY CONFIGURED PART NUMBERS.  
 FOR SPECIFIC PART NUMBERS PLEASE CONTACT SALES OR CONSULT THE INTELLIGENT PART NUMBERS IN THE TABLE ATTACHED.  
 2. FOR PACKAGING SEE PACKAGING SPEC PK-121013-B30  
 3. PRODUCT SPEC: SEE PS-121201-001  
 4. TERMINALS BENT AFTER INSERTION, FOR BEND ANGLE SEE TABLE  
 LAST INSPECTION NUMBER: 5



PART NUMBER	mPm NUMBER	DESCRIPTION	DIM A	TERMINAL BEND ANGLE
1210120112	B302000N0	TYPE A 2P+T BLACK	35°±1°	
1210120114	B303000N0	TYPE A 3P+T BLACK	35°±1°	

ORIGINAL RELEASE EC NO: IPG2013-1282 DRW:DSHEA 2013/02/19 CHKD:SMCGREEVY 2013/02/20 APPR:STGRIFFIN 2013/02/28	QUALITY SYMBOLS ▽=0 ▽=0	GENERAL TOLERANCES (UNLESS SPECIFIED)		DIMENSION STYLE MM ONLY		SCALE 2:1	DESIGN UNITS METRIC	THIRD ANGLE PROJECTION
		4 PLACES ± --- ± ---	DRAWN BY DSHEA	DATE 2013/02/19	TITLE B30 SERIES BASE			
		3 PLACES ± --- ± ---	CHECKED BY SMCGREEVY	DATE 2013/02/20	MATERIAL NO.			
		2 PLACES ± 0.10 ± ---	APPROVED BY STGRIFFIN	DATE 2013/02/28	DOCUMENT NO. SD-121012-112			
1 PLACE ± 0.20 ± ---	DRAFT WHERE APPLICABLE MUST REMAIN WITHIN DIMENSIONS		SIZE A3	THIS DRAWING CONTAINS INFORMATION THAT IS PROPRIETARY TO MOLEX INCORPORATED AND SHOULD NOT BE USED WITHOUT WRITTEN PERMISSION				
0 PLACE ± --- ± ---	ANGULAR ± 2 °		SHEET NO. 1 OF 1					