

Project Name \_\_\_\_\_

Catalog No. \_\_\_\_\_ Date \_\_\_\_\_

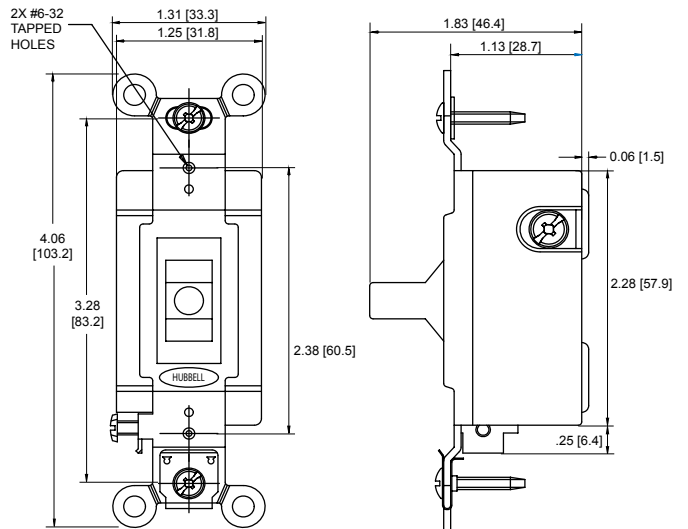


Our LVS1HD heavy duty wall switch is ideal for high abuse applications where standard plastic low voltage wall switch stations are not suitable. The LVS1HD looks like a standard wall switch except has a spring loaded "return to center" toggle action that can be connected to lighting controls expecting a dry contact momentary input.

**Product Features**

- Gang-able, uses standard switch plate (not supplied)
- Abuse resistant nylon toggle
- UL 94V-2 flammability rating
- Heavy duty Silver Alloy contacts
- Compatible with CX panel low voltage inputs
- Use NXCI Contact Interface module for compatibility with NX™ distributed controls
- UL listed, CSA certified
- Low voltage device: 24 VDC

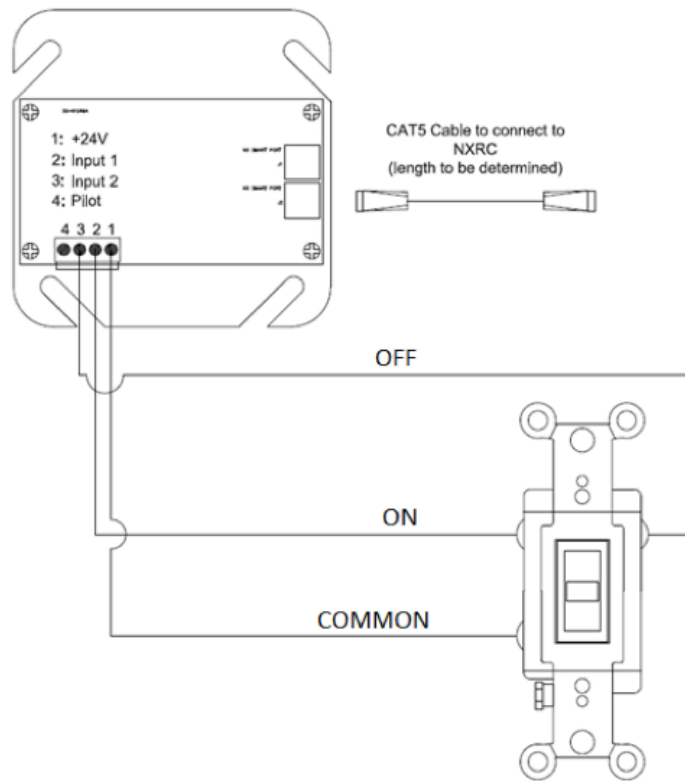
**Dimensional Data**



**Ordering Information**

<b>LVS1HD</b>			
<b>MODEL</b>		<b>COLOR</b>	
<b>LVS1HD</b>	Heavy Duty Low Voltage Wall Switch	<b>WH</b>	White
		<b>IV</b>	Ivory
		<b>GY</b>	Grey

## Wiring Diagram



## General Specifications

Construction	Top Material	Thermoset
	Base Material	Thermoset, Blue
	Toggle Material	Nylon
	Contacts	Silver Alloy
	Terminal Screws	Brass
	Ground Screw	Brass (Green)
Electrical	Dielectric Voltage	Withstands 1500VAC minimum for 1 minute
	Max. Continuous Current	15A
	Max. Working Voltages	277VAC
	Overload	Minimum 4.8 times rated current for 100 cycles
	Temp. Rise	30°C maximum at rated current
Mechanical	Terminal Accomodations	#14AWG min. - #10AWG max. Solid and Stranded copper wire only
Environmental	Flammability	UL94V-2
	Operating Temperature:	Max. continuous: 75°C; Min. continuous: -40°C without impact
Certifications	UL Listed	
	CSA Certified	
	Fed. Spec. W-5-896	