

VIP-CAB-FLK14/0,14/6,0M

Order No.: 2318444

<http://eshop.phoenixcontact.de/phoenix/treeViewClick.do?UID=2318444>

Assembled round cable with two molded 14-pos. socket strips (1:1 connection). The cable has a 90° punched on connector and a 180° punched on connector, cable length: 6 m

| Commercial data | |
|--------------------------|--------------------|
| GTIN (EAN) | 4046356312080 |
| Note | Made-to-order |
| sales group | I580 |
| Pack | 1 pcs. |
| Customs tariff | 85444290 |
| Weight/Piece | 0.3747 KG |
| Catalog page information | Page 258 (IF-2009) |

Product notes

WEEE/RoHS-compliant since:
09/17/2007



<http://www.download.phoenixcontact.com>
Please note that the data given here has been taken from the online catalog. For comprehensive information and data, please refer to the user documentation. The General Terms and Conditions of Use apply to Internet downloads.

| Technical data | |
|-----------------------------------------|------------------|
| General | |
| Nominal voltage U_N | < 50 V AC |
| | 60 V DC |
| Max. current carrying capacity per path | 1 A |
| Max. conductor resistance | 0.16 Ω /m |

| | |
|-----------------------------------------------|-----------------------------------------------------|
| Ambient temperature (operation) | -20 °C ... 50 °C |
| Ambient temperature (storage/transport) | -20 °C ... 70 °C |
| Number of positions | 14 |
| Number of positions, control side | 14 |
| Number of connectors, control side | 1 |
| Number of positions, module side | 14 |
| Number of connectors, modul side | 1 |
| Fixed cable length | 6 m |
| Single wire, cross section | 0.14 mm ² |
| AWG | 26 |
| Conductor construction: Number of litz wires: | 7 |
| Single wire, material | Cu tin-plated |
| External diameter | 6.4 mm |
| Cable, preassembly | Insulation displacement, IEC 60352-4/DIN EN 60352-4 |
| Shielding | no |

Certificates / Approvals

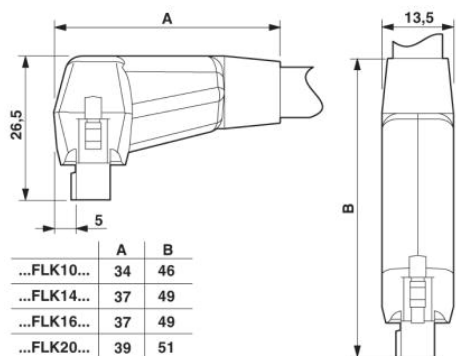


Certification

CUL, UL

Diagrams/Drawings

Dimensioned drawing



Address

PHOENIX CONTACT Inc., USA
586 Fulling Mill Road
Middletown, PA 17057, USA
Phone (800) 888-7388
Fax (717) 944-1625
<http://www.phoenixcon.com>



© 2010 Phoenix Contact
Technical modifications reserved;