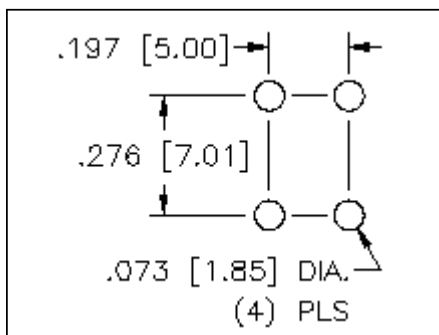
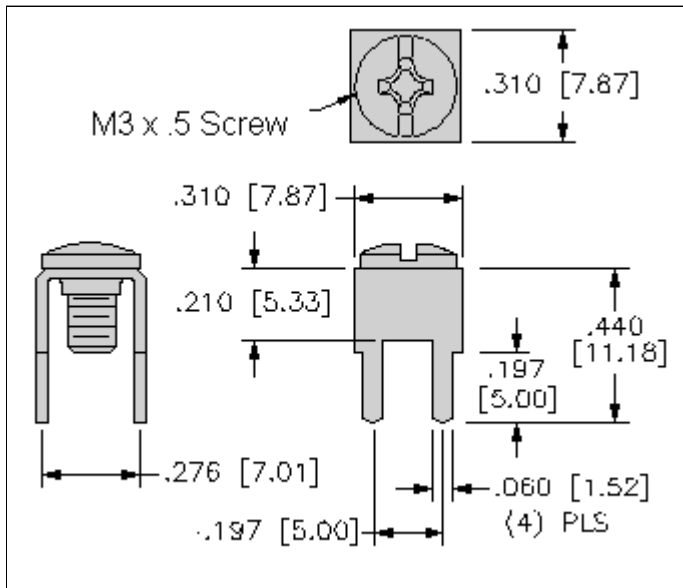




# "Sturdi-Mount" Metric PCB Screw Terminals

## M3 Threads

### Vertical Mount Type



"Press In" PCB Mount Style		
Cat. No.	Screw Supplied	Screw Color
7770	Less Screw	None
7771	Unassembled	None
7771-2	Unassembled	Red
7771-3	Unassembled	Black
7771-4	Unassembled	White
7771-5	Unassembled	Blue
7771-6	Unassembled	Green
7771-7	Unassembled	Yellow
7772	Installed & Captivated	None
7772-2	Installed & Captivated	Red
7772-3	Installed & Captivated	Black
7772-4	Installed & Captivated	White
7772-5	Installed & Captivated	Blue
7772-6	Installed &	Green

	Captivated	
<b>7772</b> <b>-7</b>	Installed & Captivated	Yellow
<b>Specifications</b>		
<p><b>Rated:</b> 15 Amps</p> <p><b>Terminal:</b> .032 [0.81mm] Thick Brass, Tin Plate</p> <p><b>Screw:</b> Combination Binding Head - Brass, Nickel Plate</p> <p>Head of screw is painted with color as indicated in chart.</p>		

[Click to Request Samples](#)



© 2011 Keystone Electronics Corp. | 31-07 20th Road | Astoria, NY 11105 | 718-956-8900 | 800-221-5510 | 718-956-9040  
fax | [www.keyelco.com](http://www.keyelco.com)