

74AXP1T125

Dual supply buffer/line driver; 3-state

Rev. 3 — 3 November 2021

Product data sheet

1. General description

The 74AXP1T125 is a dual supply non-inverting buffer/line driver with 3-state output. It features one input (A), an output (Y), an output enable input (\overline{OE}) and dual supply pins (V_{CCI} and V_{CCO}). A HIGH level at pin \overline{OE} causes the output to assume a high-impedance OFF-state. The inputs are referenced to V_{CCI} and the output is referenced to V_{CCO} . All inputs can be connected directly to V_{CCI} or GND. V_{CCI} can be supplied at any voltage between 0.7 V and 2.75 V and V_{CCO} can be supplied at any voltage between 1.2 V and 5.5 V. This feature allows voltage level translation.

Schmitt-trigger action at all inputs makes the circuit tolerant of slower input rise and fall times.

This device ensures very low static and dynamic power consumption across the entire supply range and is fully specified for partial power down applications using I_{OFF} . The I_{OFF} circuitry disables the output, preventing the potentially damaging backflow current through the device when it is powered down.

2. Features and benefits

- Wide supply voltage range:
 - V_{CCI} : 0.7 V to 2.75 V
 - V_{CCO} : 1.2 V to 5.5 V
- Low input capacitance; $C_I = 0.6$ pF (typical)
- Low output capacitance; $C_O = 1.8$ pF (typical)
- Low dynamic power consumption; $C_{PD} = 0.4$ pF at $V_{CCI} = 1.2$ V (typical)
- Low dynamic power consumption; $C_{PD} = 7.1$ pF at $V_{CCO} = 3.3$ V (typical)
- Low static power consumption; $I_{CCI} = 0.5$ μ A (85 °C maximum)
- Low static power consumption; $I_{CCO} = 1.8$ μ A (85 °C maximum)
- High noise immunity
- Complies with JEDEC standard:
 - JESD8-12A.01 (1.1 V to 1.3 V; A, \overline{OE} inputs)
 - JESD8-11A.01 (1.4 V to 1.6 V)
 - JESD8-7A (1.65 V to 1.95 V)
 - JESD8-5A.01 (2.3 V to 2.7 V)
 - JESD8-C (2.7 V to 3.6 V; Y output)
 - JESD12-6 (4.5 V to 5.5 V; Y output)
- ESD protection:
 - HBM ANSI/ESDA/JEDEC JS-001 Class 2 exceeds 2 kV
 - CDM JESD22-C101E exceeds 1000 V
- Latch-up performance exceeds 100 mA per JESD78D Class II
- Inputs accept voltages up to 2.75 V
- Low noise overshoot and undershoot < 10% of V_{CCO}
- I_{OFF} circuitry provides partial power-down mode operation
- Multiple package options
- Specified from -40 °C to +85 °C

3. Ordering information

Table 1. Ordering information

Type number	Package			Version
	Temperature range	Name	Description	
74AXP1T125GM	-40 °C to +85 °C	XSON6	plastic extremely thin small outline package; no leads; 6 terminals; body 1 × 1.45 × 0.5 mm	SOT886
74AXP1T125GN	-40 °C to +85 °C	XSON6	extremely thin small outline package; no leads; 6 terminals; body 0.9 × 1.0 × 0.35 mm	SOT1115
74AXP1T125GS	-40 °C to +85 °C	XSON6	extremely thin small outline package; no leads; 6 terminals; body 1.0 × 1.0 × 0.35 mm	SOT1202
74AXP1T125GX	-40 °C to +85 °C	X2SON6	plastic thermal enhanced extremely thin small outline package; no leads; 6 terminals; body 1.0 × 0.8 × 0.32 mm	SOT1255-2

4. Marking

Table 2. Marking

Type number	Marking code[1]
74AXP1T125GM	rN
74AXP1T125GN	rN
74AXP1T125GS	rN
74AXP1T125GX	rN

[1] The pin 1 indicator is located on the lower left corner of the device, below the marking code.

5. Functional diagram

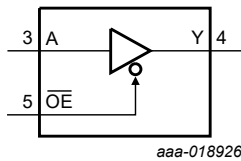


Fig. 1. Logic symbol

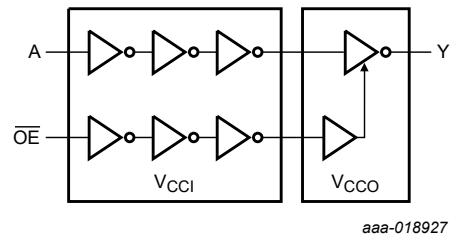
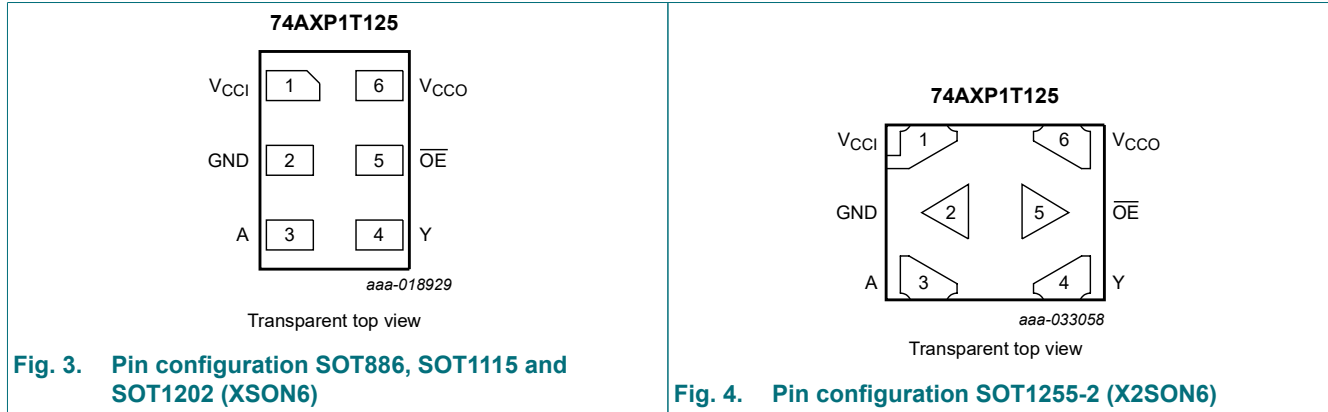


Fig. 2. Logic diagram

6. Pinning information

6.1. Pinning



6.2. Pin description

Table 3. Pin description

Symbol	Pin	Description
V _{CCI}	1	input supply voltage
GND	2	ground (0 V)
A	3	data input A
Y	4	data output Y
OE	5	output enable input
V _{CCO}	6	output supply voltage

7. Functional description

Table 4. Function table

H = HIGH voltage level; L = LOW voltage level; X = Don't care; Z = high-impedance OFF-state.

Supply voltage		Input		Output
V _{CCI}	V _{CCO}	OE	A	Y
0.7 V to 2.75 V	1.2 V to 5.5 V	L	L	L
0.7 V to 2.75 V	1.2 V to 5.5 V	L	H	H
0.7 V to 2.75 V	1.2 V to 5.5 V	H	X	Z
GND	1.2 V to 5.5 V	X	X	Z
0.7 V to 2.75 V	GND	X	X	Z
GND	GND	X	X	Z

8. Limiting values

Table 5. Limiting values

In accordance with the Absolute Maximum Rating System (IEC 60134). Voltages are referenced to GND (ground = 0 V).

Symbol	Parameter	Conditions	Min	Max	Unit
V_{CCI}	input supply voltage		-0.5	3.3	V
V_{CCO}	output supply voltage		-0.5	6.0	V
I_{IK}	input clamping current	$V_I < 0$ V	-50	-	mA
V_I	input voltage		-0.5	3.3	V
I_{OK}	output clamping current	$V_O < 0$ V	-50	-	mA
V_O	output voltage	Active mode	-0.5	$V_{CCO} + 0.5$	V
		Power-down or 3-state mode	-0.5	6.0	V
I_O	output current	$V_O = 0$ V to V_{CCO}	-	± 25	mA
I_{CCI}	input supply current		-	50	mA
I_{CCO}	output supply current		-	50	mA
I_{GND}	ground current		-50	-	mA
T_{stg}	storage temperature		-65	+150	°C
P_{tot}	total power dissipation	$T_{amb} = -40$ °C to +85 °C	-	250	mW

[1] The minimum input and output voltage ratings may be exceeded if the input and output current ratings are observed.

[2] $V_{CCO} + 0.5$ V should not exceed 6.0 V.

[3] For SOT886 (XSON6) package: P_{tot} derates linearly with 3.3 mW/K above 74 °C.
 For SOT1115 (XSON6) package: P_{tot} derates linearly with 3.2 mW/K above 71 °C.
 For SOT1202 (XSON6) package: P_{tot} derates linearly with 3.3 mW/K above 74 °C.
 For SOT1255-2 (X2SON6) package: P_{tot} derates linearly with 3.3 mW/K above 75 °C.

9. Recommended operating conditions

Table 6. Recommended operating conditions

Voltages are referenced to GND (ground = 0 V).

Symbol	Parameter	Conditions	Min	Max	Unit
V_{CCI}	input supply voltage		0.7	2.75	V
V_{CCO}	output supply voltage		1.2	5.5	V
V_I	input voltage		0	2.75	V
V_O	output voltage	Active mode	0	V_{CCO}	V
		Power-down or 3-state mode	0	5.5	V
T_{amb}	ambient temperature		-40	+85	°C
$\Delta t/\Delta V$	input transition rise and fall rate	$V_{CCI} = 0.7$ V to 2.75 V	0	200	ns/V

10. Static characteristics

Table 7. Static characteristics

At recommended operating conditions, unless otherwise specified; voltages are referenced to GND (ground = 0 V).

Symbol	Parameter	Conditions	T _{amb} = 25 °C			T _{amb} = -40 °C to +85 °C		Unit
			Min	Typ	Max	Min	Max	
V _{IH}	HIGH-level input voltage	V _{CCI} = 0.75 V to 0.85 V	0.75V _{CCI}	-	-	0.75V _{CCI}	-	V
		V _{CCI} = 1.1 V to 1.95 V	0.65V _{CCI}	-	-	0.65V _{CCI}	-	V
		V _{CCI} = 2.3 V to 2.7 V	1.6	-	-	1.6	-	V
V _{IL}	LOW-level input voltage	V _{CCI} = 0.75 V to 0.85 V	-	-	0.25V _{CCI}	-	0.25V _{CCI}	V
		V _{CCI} = 1.1 V to 1.95 V	-	-	0.35V _{CCI}	-	0.35V _{CCI}	V
		V _{CCI} = 2.3 V to 2.7 V	-	-	0.7	-	0.7	V
V _{OH}	HIGH-level output voltage	I _O = -2 mA; V _{CCO} = 1.2 V [1]	-	1.05	-	-	-	V
		I _O = -3 mA; V _{CCO} = 1.4 V	1.05	-	-	1.05	-	V
		I _O = -4.5 mA; V _{CCO} = 1.65 V	1.2	-	-	1.2	-	V
		I _O = -8 mA; V _{CCO} = 2.3 V	1.7	-	-	1.7	-	V
		I _O = -10 mA; V _{CCO} = 3.0 V	2.2	-	-	2.2	-	V
		I _O = -12 mA; V _{CCO} = 4.5 V	3.7	-	-	3.7	-	V
V _{OL}	LOW-level output voltage	I _O = 2 mA; V _{CCO} = 1.2 V [1]	-	0.18	-	-	-	V
		I _O = 3 mA; V _{CCO} = 1.4 V	-	-	0.35	-	0.35	V
		I _O = 4.5 mA; V _{CCO} = 1.65 V	-	-	0.45	-	0.45	V
		I _O = 8 mA; V _{CCO} = 2.3 V	-	-	0.7	-	0.7	V
		I _O = 10 mA; V _{CCO} = 3.0 V	-	-	0.8	-	0.8	V
		I _O = 12 mA; V _{CCO} = 4.5 V	-	-	0.8	-	0.8	V
I _I	input leakage current	V _I = 0 V to 2.75 V; V _{CCI} = 0 V to 2.75 V [1]	-	±0.001	±0.1	-	±0.5	µA
I _{OZ}	OFF-state output current	V _O = 0 V to 5.5 V; V _{CCO} = 1.2 V to 5.5 V	-	±0.001	±0.1	-	±0.5	µA
I _{OFF}	power-off leakage current	inputs; V _I = 0 V to 2.75 V; V _{CCI} = 0 V; V _{CCO} = 0 V to 5.5 V [1]	-	±0.01	±0.1	-	±0.5	µA
		output; V _O = 0 V to 5.5 V; V _{CCO} = 0 V; V _{CCI} = 0 V to 2.75 V; V _I = 0 V to 2.75 V [1]	-	±0.01	±0.1	-	±0.5	µA
ΔI _{OFF}	additional power-off leakage current	inputs; V _I = 0 V or 2.75 V; V _{CCI} = 0 V to 0.1 V; V _{CCO} = 0 V to 5.5 V [1]	-	±0.02	±0.1	-	±0.5	µA
		output; V _O = 0 V or 5.5 V; V _{CCO} = 0 V to 0.1 V; V _{CCI} = 0 V to 2.75 V; V _I = 0 V or 2.75 V [1]	-	±0.02	±0.1	-	±0.5	µA

[1] Typical values are measured at V_{CCI} = V_{CCO} = 1.2 V unless otherwise specified.

Table 8. Static characteristics supply current

At recommended operating conditions, unless otherwise specified; voltages are referenced to GND (ground = 0 V).

Symbol	Parameter	Conditions	$T_{amb} = -40\text{ °C to }+85\text{ °C}$				Unit
			Typ 25 °C	Max 25 °C	Typ 85 °C	Max 85 °C	
I_{CCI}	input supply current	$V_I = 0\text{ V or }V_{CCI}$;					
		$V_{CCI} = 0.7\text{ V to }1.3\text{ V}$ [1]	1	100	10	300	nA
		$V_{CCI} = 1.3\text{ V to }2.75\text{ V}$ [2]	1	100	20	500	nA
		$V_{CCI} = 2.75\text{ V}; V_{CCO} = 0\text{ V}$	1	100	20	500	nA
		$V_{CCI} = 0\text{ V}; V_{CCO} = 5.5\text{ V}$	1	100	1	100	nA
I_{CCO}	output supply current	$V_I = 0\text{ V or }V_{CCI}$; $I_O = 0\text{ A}$; see Table 9					
		$V_{CCO} = 1.2\text{ V to }3.6\text{ V}$ [1]	0.001	1.0	0.01	1.2	μA
		$V_{CCO} = 3.6\text{ V to }5.5\text{ V}$ [3]	0.8	1.5	1.0	1.8	μA
		$V_{CCI} = 2.75\text{ V}; V_{CCO} = 0\text{ V}$	0.001	0.1	0.003	0.2	μA
		$V_{CCI} = 0\text{ V}; V_{CCO} = 3.6\text{ V}$	0.2	0.6	0.3	0.8	μA
		$V_{CCI} = 0\text{ V}; V_{CCO} = 5.5\text{ V}$	0.4	0.8	0.5	1.0	μA
ΔI_{CCI}	additional input supply current	$V_I = V_{CCI} - 0.5\text{ V}; V_{CCI} = 2.5\text{ V}$	2	100	14	150	μA

[1] Typical values are measured at $V_{CCI} = V_{CCO} = 1.2\text{ V}$ unless otherwise specified.

[2] Typical values are measured at $V_{CCI} = V_{CCO} = 2.5\text{ V}$.

[3] Typical values are measured at $V_{CCI} = 1.2\text{ V}$ and $V_{CCO} = 5.0\text{ V}$.

Table 9. Typical output supply current (I_{CCO})

V_{CCI}	V_{CCO}							Unit
	0 V	1.2 V	1.5 V	1.8 V	2.5 V	3.3 V	5.0 V	
0 V	0	1	5	20	100	200	400	nA
0.8 V	1	10	150	200	300	500	800	nA
1.2 V	1	1	5	200	300	500	800	nA
1.5 V	1	1	5	100	300	500	800	nA
1.8 V	1	1	5	100	300	500	800	nA
2.5 V	1	1	5	100	100	500	800	nA

11. Dynamic characteristics

Table 10. Dynamic characteristics

Voltages are referenced to GND (ground = 0 V); for test circuit see [Fig. 13](#); for waveform see [Fig. 5](#) and [Fig. 6](#).

Symbol	Parameter	Conditions	V_{CCO}						Unit	
			1.2 V		1.5 V \pm 0.1 V		1.8 V \pm 0.15 V			
			Typ[1]	Min	Typ[1]	Max	Min	Typ[1]		Max
$T_{amb} = 25\text{ °C}$										
t_{pd}	propagation delay	A to Y [2]								
		$V_{CCI} = 0.75\text{ V to }0.85\text{ V}$	22	3	16	61	3	15	57	ns
		$V_{CCI} = 1.1\text{ V to }1.3\text{ V}$	16.2	3.1	10.3	19.8	2.8	8.2	15.8	ns
		$V_{CCI} = 1.4\text{ V to }1.6\text{ V}$	15.4	2.8	9.5	18.2	2.5	7.4	13.2	ns
		$V_{CCI} = 1.65\text{ V to }1.95\text{ V}$	15.0	2.7	9.1	17.4	2.4	7.0	11.9	ns
		$V_{CCI} = 2.3\text{ V to }2.7\text{ V}$	14.7	2.5	8.7	16.9	2.2	6.6	11.1	ns

Symbol	Parameter	Conditions	V _{CC0}						Unit	
			1.2 V		1.5 V ± 0.1 V		1.8 V ± 0.15 V			
			Typ[1]	Min	Typ[1]	Max	Min	Typ[1]		Max
t _{en}	enable time	\overline{OE} to Y [3]								
		V _{CC1} = 0.75 V to 0.85 V	25	3	20	76	3	18	72	ns
		V _{CC1} = 1.1 V to 1.3 V	17.9	3.1	11.3	18.9	2.8	9.0	15.5	ns
		V _{CC1} = 1.4 V to 1.6 V	16.9	2.8	10.3	17.5	2.5	8.1	13.9	ns
		V _{CC1} = 1.65 V to 1.95 V	16.5	2.7	9.9	16.9	2.4	7.6	13.3	ns
t _{dis}	disable time	\overline{OE} to Y [4]								
		V _{CC1} = 0.75 V to 0.85 V	25	3	20	76	3	20	72	ns
		V _{CC1} = 1.1 V to 1.3 V	17.1	3.1	12.0	18.3	2.8	11.3	17.4	ns
		V _{CC1} = 1.4 V to 1.6 V	16.1	2.8	11.1	17.4	2.5	10.3	16.0	ns
		V _{CC1} = 1.65 V to 1.95 V	15.6	2.7	10.6	16.5	2.4	9.9	15.5	ns
t _{dis}	disable time	\overline{OE} to Y [4]								
		V _{CC1} = 0.75 V to 0.85 V	25	3	20	151	3	20	148	ns
		V _{CC1} = 1.1 V to 1.3 V	17.1	3.1	12.0	18.3	2.8	11.3	17.4	ns
		V _{CC1} = 1.4 V to 1.6 V	16.1	2.8	11.1	17.4	2.5	10.3	16.0	ns
		V _{CC1} = 1.65 V to 1.95 V	15.6	2.7	10.6	16.5	2.4	9.9	15.5	ns
t _{dis}	disable time	\overline{OE} to Y [4]								
		V _{CC1} = 0.75 V to 0.85 V	25	3	20	151	3	20	148	ns
		V _{CC1} = 1.1 V to 1.3 V	17.1	3.1	12.0	18.3	2.8	11.3	17.4	ns
		V _{CC1} = 1.4 V to 1.6 V	16.1	2.8	11.1	17.4	2.5	10.3	16.0	ns
		V _{CC1} = 1.65 V to 1.95 V	15.6	2.7	10.6	16.5	2.4	9.9	15.5	ns
t _t	transition time	V _{CC1} = 0.75 V to 2.7 V [5]	-	1.0	-	-	1.0	-	-	ns

[1] Typical values are measured at nominal supply voltages and T_{amb} = +25 °C.

[2] t_{pd} is the same as t_{PLH} and t_{PHL}.

[3] t_{en} is the same as t_{PZH} and t_{PZL}.

[4] t_{dis} is the same as t_{PHZ} and t_{PLZ}.

[5] t_t is the same as t_{THL} and t_{TLH}.

Table 11. Dynamic characteristics

Voltages are referenced to GND (ground = 0 V); for test circuit see Fig. 13; for waveform see Fig. 5 and Fig. 6.

Symbol	Parameter	Conditions	V _{CC0}									Unit
			2.5 V ± 0.2 V			3.3 V ± 0.3 V			5.0 V ± 0.5 V			
			Min	Typ[1]	Max	Min	Typ[1]	Max	Min	Typ[1]	Max	
T_{amb} = 25 °C												
t _{pd}	propagation delay	A to Y [2]										
		V _{CCI} = 0.75 V to 0.85 V	2	13	57	2	13	65	2	14	77	ns
		V _{CCI} = 1.1 V to 1.3 V	2.4	6.5	10.8	2.2	5.9	9.5	2.1	5.6	9.0	ns
		V _{CCI} = 1.4 V to 1.6 V	2.1	5.7	9.1	2.0	5.1	8.2	1.9	4.8	7.7	ns
		V _{CCI} = 1.65 V to 1.95 V	2.0	5.3	8.7	1.8	4.7	7.7	1.8	4.4	7.3	ns
		V _{CCI} = 2.3 V to 2.7 V	1.9	4.9	8.1	1.7	4.3	7.1	1.6	4.0	6.6	ns
t _{en}	enable time	OE to Y [3]										
		V _{CCI} = 0.75 V to 0.85 V	2	17	72	2	17	80	2	20	92	ns
		V _{CCI} = 1.1 V to 1.3 V	2.4	7.2	12.5	2.2	6.7	11.4	2.1	6.5	11.2	ns
		V _{CCI} = 1.4 V to 1.6 V	2.1	6.3	11.0	2.0	5.7	10.2	1.9	5.5	9.8	ns
		V _{CCI} = 1.65 V to 1.95 V	2.0	5.8	10.5	1.8	5.2	9.8	1.8	5.0	9.2	ns
		V _{CCI} = 2.3 V to 2.7 V	1.9	5.3	9.9	1.7	4.7	9.1	1.6	4.5	8.6	ns
t _{dis}	disable time	OE to Y [4]										
		V _{CCI} = 0.75 V to 0.85 V	2	17	72	2	18	80	2	16	92	ns
		V _{CCI} = 1.1 V to 1.3 V	2.4	9.2	14.2	2.2	9.9	15.2	2.1	8.3	13.2	ns
		V _{CCI} = 1.4 V to 1.6 V	2.1	8.2	13.1	2.0	9.1	14.1	1.9	7.4	12.1	ns
		V _{CCI} = 1.65 V to 1.95 V	2.0	7.8	12.6	1.8	8.6	13.7	1.8	7.0	11.7	ns
		V _{CCI} = 2.3 V to 2.7 V	1.9	7.2	12.1	1.7	8.1	13.2	1.6	6.5	11.2	ns
T_{amb} = -40 °C to +85 °C												
t _{pd}	propagation delay	A to Y [2]										
		V _{CCI} = 0.75 V to 0.85 V	2	13	152	2	13	179	2	14	210	ns
		V _{CCI} = 1.1 V to 1.3 V	2.4	6.5	10.8	2.2	5.9	9.5	2.1	5.6	9.0	ns
		V _{CCI} = 1.4 V to 1.6 V	2.1	5.7	9.1	2.0	5.1	8.2	1.9	4.8	7.7	ns
		V _{CCI} = 1.65 V to 1.95 V	2.0	5.3	8.7	1.8	4.7	7.7	1.8	4.4	7.3	ns
		V _{CCI} = 2.3 V to 2.7 V	1.9	4.9	8.1	1.7	4.3	7.1	1.6	4.0	6.6	ns
t _{en}	enable time	OE to Y [3]										
		V _{CCI} = 0.75 V to 0.85 V	2	17	167	2	17	194	2	20	225	ns
		V _{CCI} = 1.1 V to 1.3 V	2.4	7.2	12.5	2.2	6.7	11.4	2.1	6.5	11.2	ns
		V _{CCI} = 1.4 V to 1.6 V	2.1	6.3	11.0	2.0	5.7	10.2	1.9	5.5	9.8	ns
		V _{CCI} = 1.65 V to 1.95 V	2.0	5.8	10.5	1.8	5.2	9.8	1.8	5.0	9.2	ns
		V _{CCI} = 2.3 V to 2.7 V	1.9	5.3	9.9	1.7	4.7	9.1	1.6	4.5	8.6	ns

Symbol	Parameter	Conditions	V _{CCO}									Unit
			2.5 V ± 0.2 V			3.3 V ± 0.3 V			5.0 V ± 0.5 V			
			Min	Typ[1]	Max	Min	Typ[1]	Max	Min	Typ[1]	Max	
t _{dis}	disable time	OE to Y [4]										
		V _{CCI} = 0.75 V to 0.85 V	2	17	167	2	18	194	2	16	225	ns
		V _{CCI} = 1.1 V to 1.3 V	2.4	9.2	14.2	2.2	9.9	15.2	2.1	8.3	13.2	ns
		V _{CCI} = 1.4 V to 1.6 V	2.1	8.2	13.1	2.0	9.1	14.1	1.9	7.4	12.1	ns
		V _{CCI} = 1.65 V to 1.95 V	2.0	7.8	12.6	1.8	8.6	13.7	1.8	7.0	11.7	ns
		V _{CCI} = 2.3 V to 2.7 V	1.9	7.2	12.1	1.7	8.1	13.2	1.6	6.5	11.2	ns
t _t	transition time	V _{CCO} = 5.5 V [5]	1.0	-	-	1.0	-	-	1.0	-	-	ns

[1] Typical values are measured at nominal supply voltages and t_{amb} = +25 °C.

[2] t_{pd} is the same as t_{PLH} and t_{PHL}.

[3] t_{en} is the same as t_{PZH} and t_{PZL}.

[4] t_{dis} is the same as t_{PHZ} and t_{PLZ}.

[5] t_t is the same as t_{THL} and t_{TLH}.

Table 12. Typical dynamic characteristics at T_{amb} = 25 °C

Voltages are referenced to GND (ground = 0 V); for test circuit see Fig. 13; for waveform see Fig. 5 and Fig. 6.

Symbol	Parameter	Conditions	V _{CCO}						Unit	
			1.2 V	1.5 V	1.8 V	2.5 V	3.3 V	5.0 V		
C _{PD}	power dissipation capacitance	f _i = 1 MHz; R _L = ∞ Ω; V _I = 0 V to V _{CCI} [1]								
		input supply [2]								
		V _{CCI} = 0.8 V	0.4	0.4	0.4	0.4	0.4	0.4	pF	
		V _{CCI} = 1.2 V	0.4	0.4	0.4	0.4	0.4	0.4	pF	
		V _{CCI} = 1.5 V	0.5	0.5	0.5	0.5	0.5	0.5	pF	
		V _{CCI} = 1.8 V	0.5	0.5	0.5	0.5	0.5	0.5	pF	
		V _{CCI} = 2.5 V	0.7	0.7	0.7	0.7	0.7	0.7	pF	
		output supply [3]								
		V _{CCI} = 0.8 V	6.7	6.8	6.8	6.9	7.5	9.5	pF	
		V _{CCI} = 1.2 V	6.8	6.9	7.0	7.0	7.1	7.6	pF	
		V _{CCI} = 1.5 V	6.9	6.9	6.9	7.0	7.1	7.6	pF	
		V _{CCI} = 1.8 V	6.9	6.9	6.9	7.0	7.2	7.6	pF	
	V _{CCI} = 2.5 V	6.9	7.0	7.0	7.0	7.2	7.6	pF		
C _I	input capacitance	V _I = 0 V or V _{CCI} ; V _{CCI} = 0 V to 2.7 V	0.6	0.6	0.6	0.6	0.6	0.6	pF	
C _O	output capacitance	V _O = 0 V; V _{CCO} = 0 V	1.8	1.8	1.8	1.8	1.8	1.8	pF	

[1] C_{PD} is used to determine the dynamic power dissipation (P_D in μW).

[2] Power dissipated from input supply (V_{CCI}); P_D = C_{PD} × V_{CCI}² × f_i × N where:

C_{PD} = power dissipation capacitance of the input supply.

V_{CCI} = input supply voltage in V;

f_i = input frequency in MHz;

N = number of inputs switching;

[3] Power dissipated from output supply (V_{CCO}); P_D = (C_L + C_{PD}) × V_{CCO}² × f_o where:

C_L = load capacitance in pF;

C_{PD} = power dissipation capacitance of the output supply.

V_{CCO} = output supply voltage in V;

f_o = output frequency in MHz;

11.1. Waveforms, graphs and test circuit

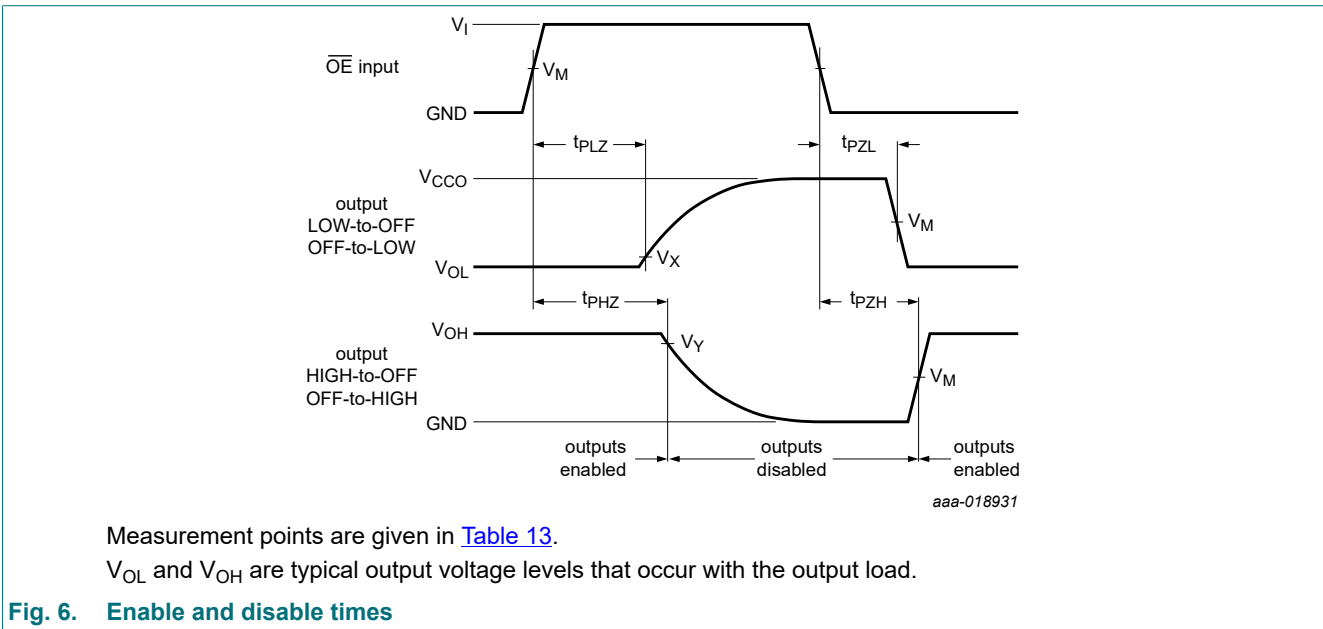
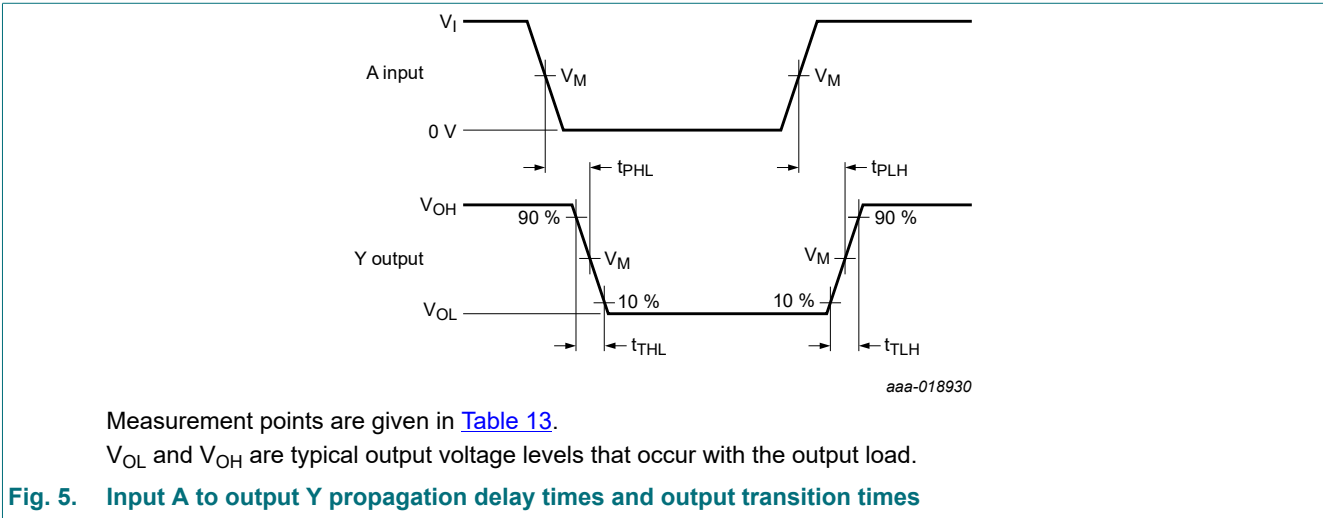
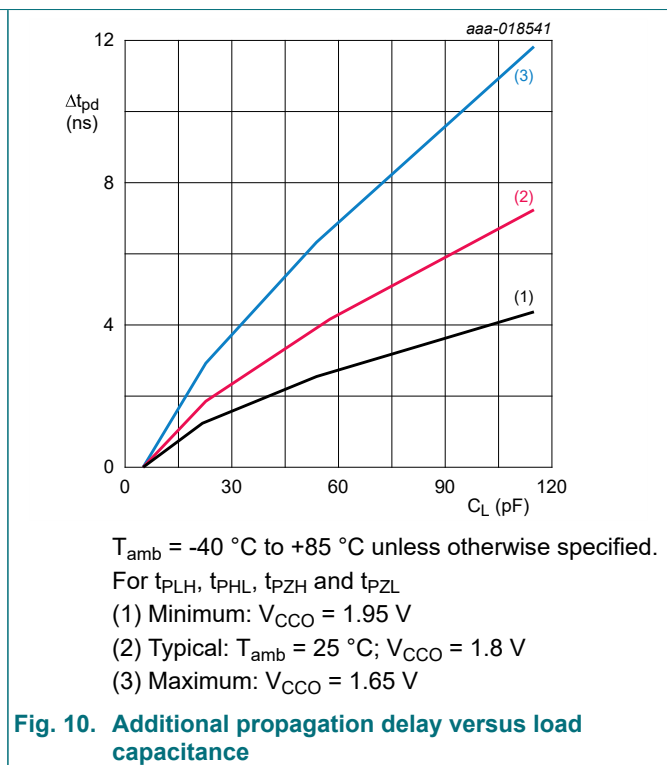
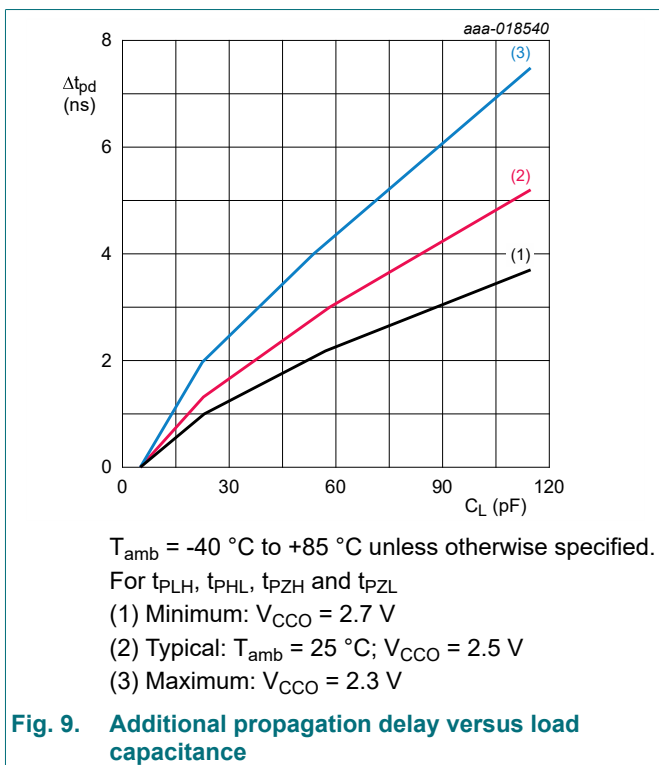
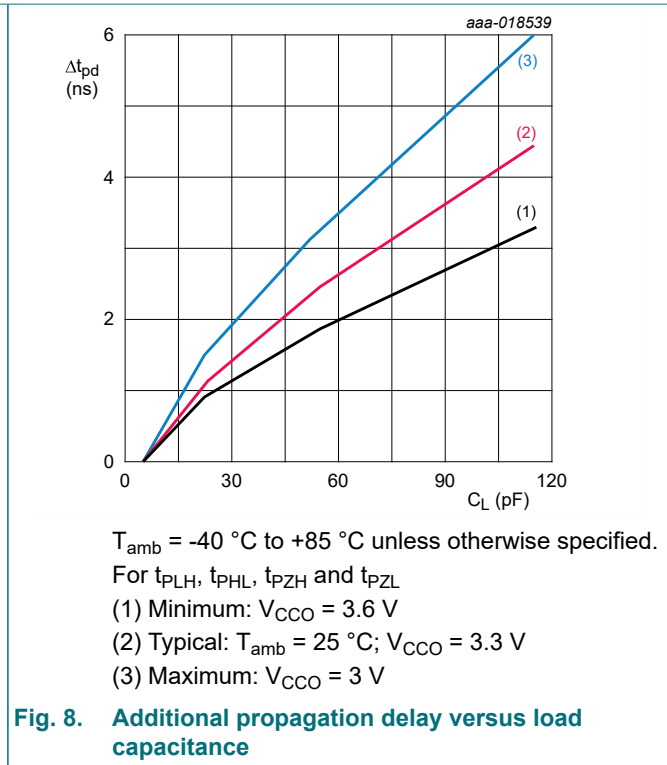
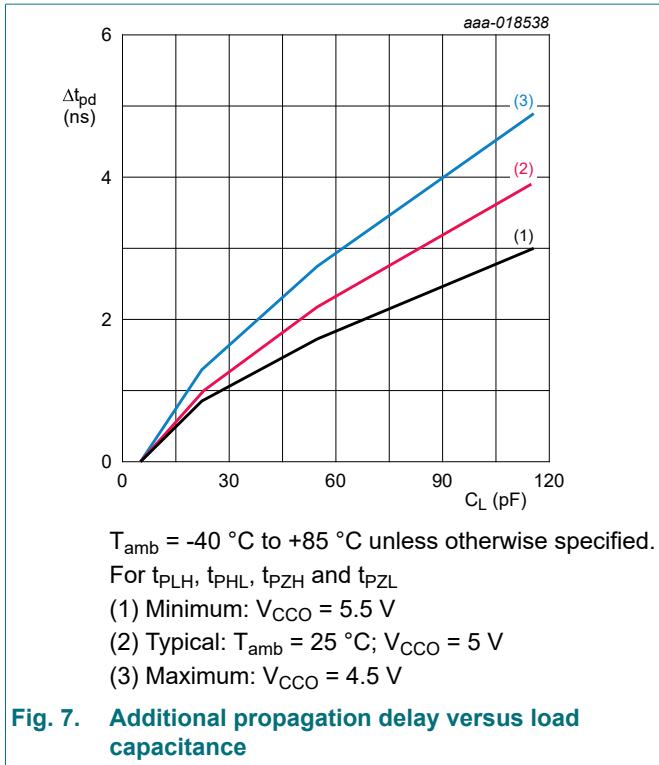


Table 13. Measurement points

Supply voltage		Output			Input	
V_{CCI}	V_{CCO}	V_M	V_X	V_Y	V_M	V_I
0.75 V to 2.7 V	1.2 V to 1.6 V	$0.5V_{CCO}$	$V_{OL} + 0.1\text{ V}$	$V_{OH} - 0.1\text{ V}$	$0.5V_{CCI}$	V_{CCI}
0.75 V to 2.7 V	1.65 V to 2.7 V	$0.5V_{CCO}$	$V_{OL} + 0.15\text{ V}$	$V_{OH} - 0.15\text{ V}$	$0.5V_{CCI}$	V_{CCI}
0.75 V to 2.7 V	3.0 V to 5.5 V	$0.5V_{CCO}$	$V_{OL} + 0.3\text{ V}$	$V_{OH} - 0.3\text{ V}$	$0.5V_{CCI}$	V_{CCI}



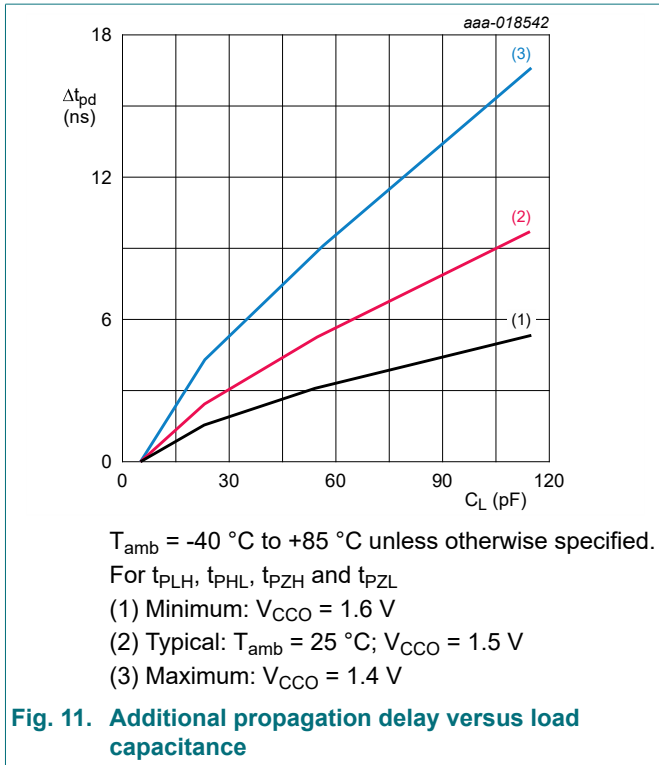


Fig. 11. Additional propagation delay versus load capacitance

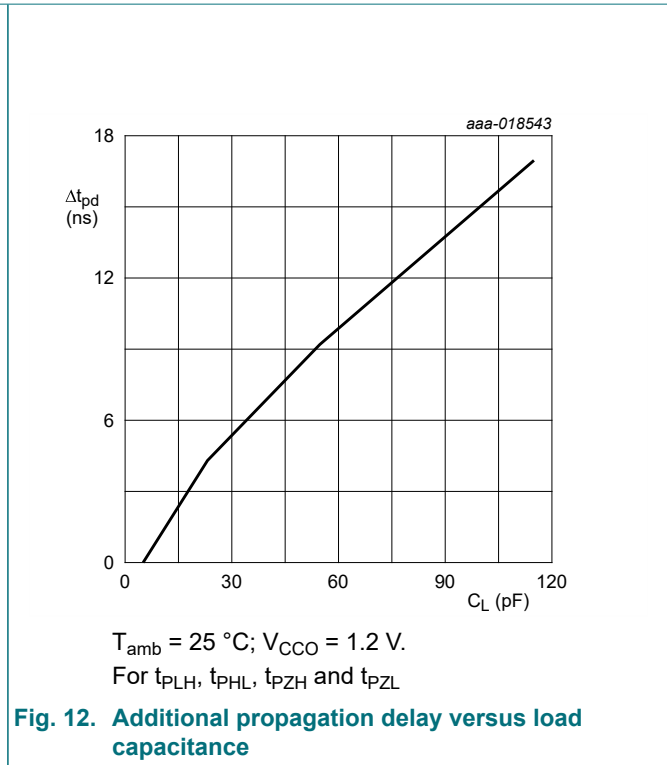


Fig. 12. Additional propagation delay versus load capacitance

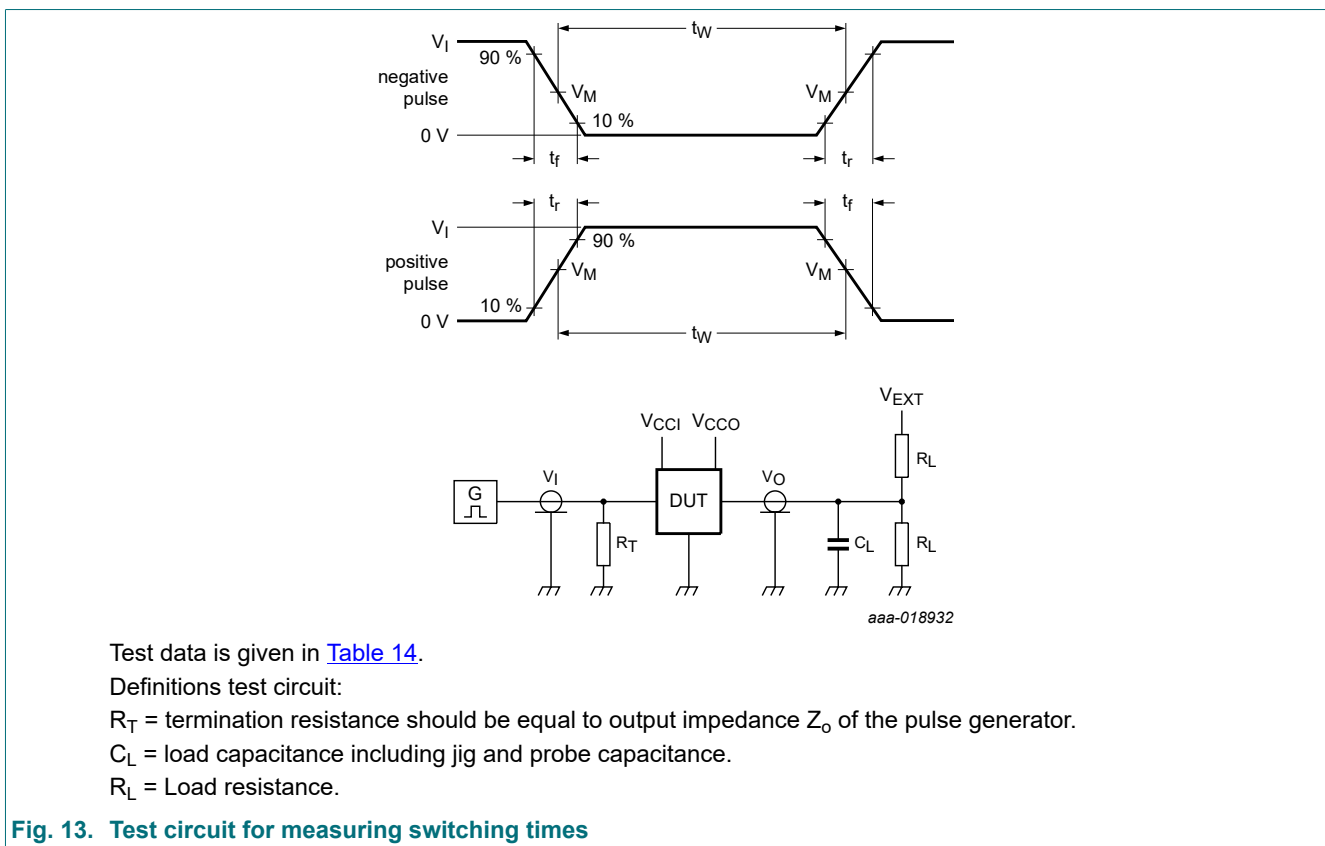


Fig. 13. Test circuit for measuring switching times

Table 14. Test data

Supply voltage		Load		Input		V_{EXT}		
V_{CC1}	V_{CCO}	C_L	R_L	t_r , t_f	V_I	t_{PLH} , t_{PHL}	t_{PZH} , t_{PHZ}	t_{PZL} , t_{PLZ}
0.75 V to 2.7 V	1.2 V to 5.5 V	5 pF	10 kΩ	$\leq 3.0\text{ ns}$	V_{CC1}	GND	GND	$2V_{CCO}$

12. Package outline

XSON6: plastic extremely thin small outline package; no leads; 6 terminals; body 1 x 1.45 x 0.5 mm

SOT886

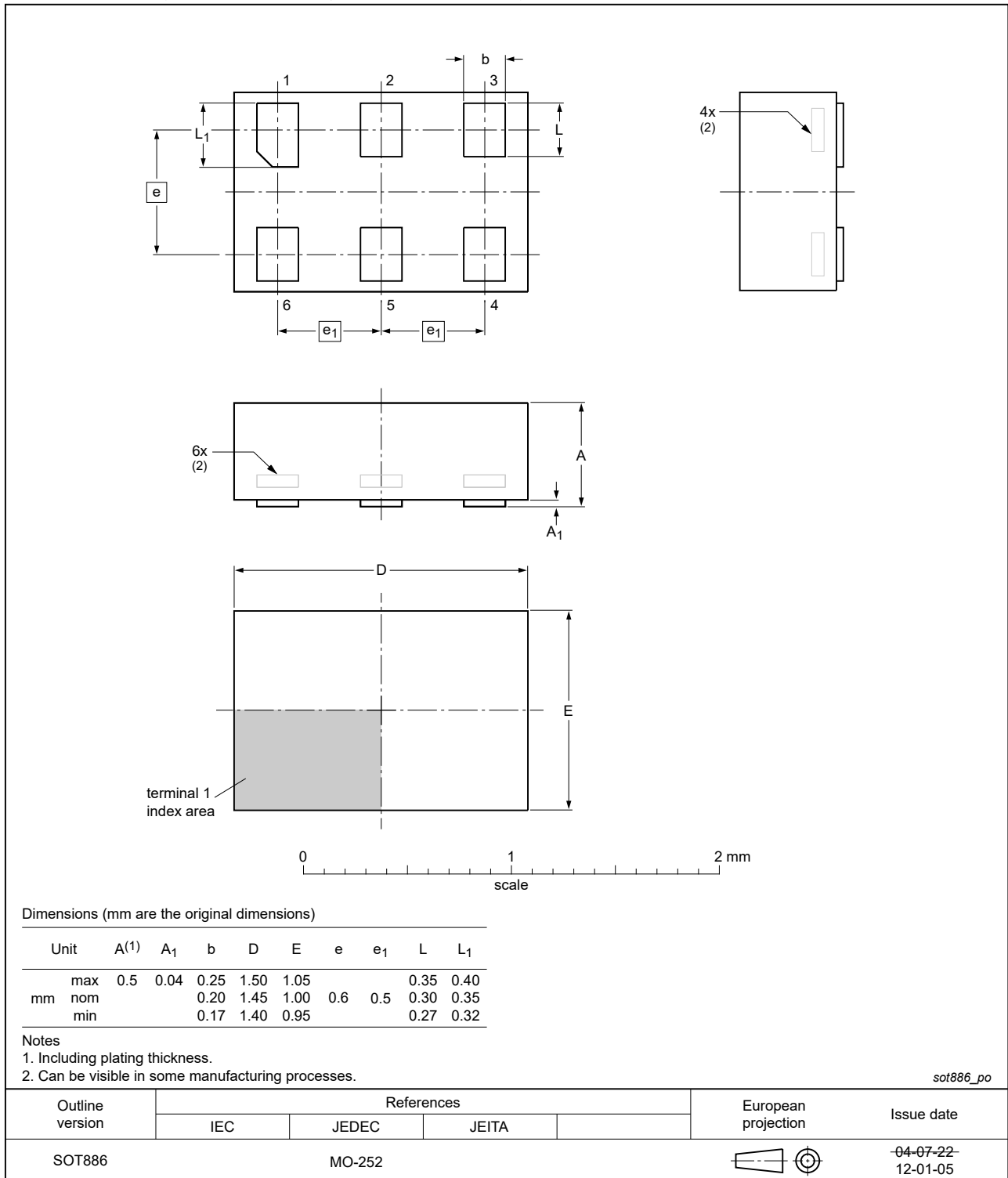


Fig. 14. Package outline SOT886 (XSON6)

XSON6: extremely thin small outline package; no leads;
6 terminals; body 0.9 x 1.0 x 0.35 mm

SOT1115



Fig. 15. Package outline SOT1115 (XSON6)

XSON6: extremely thin small outline package; no leads;
6 terminals; body 1.0 x 1.0 x 0.35 mm

SOT1202



Fig. 16. Package outline SOT1202 (XSON6)

X2SON6: plastic thermal enhanced extremely thin small outline package; no leads; 6 terminals; body 1.0 x 0.8 x 0.32 mm

SOT1255-2

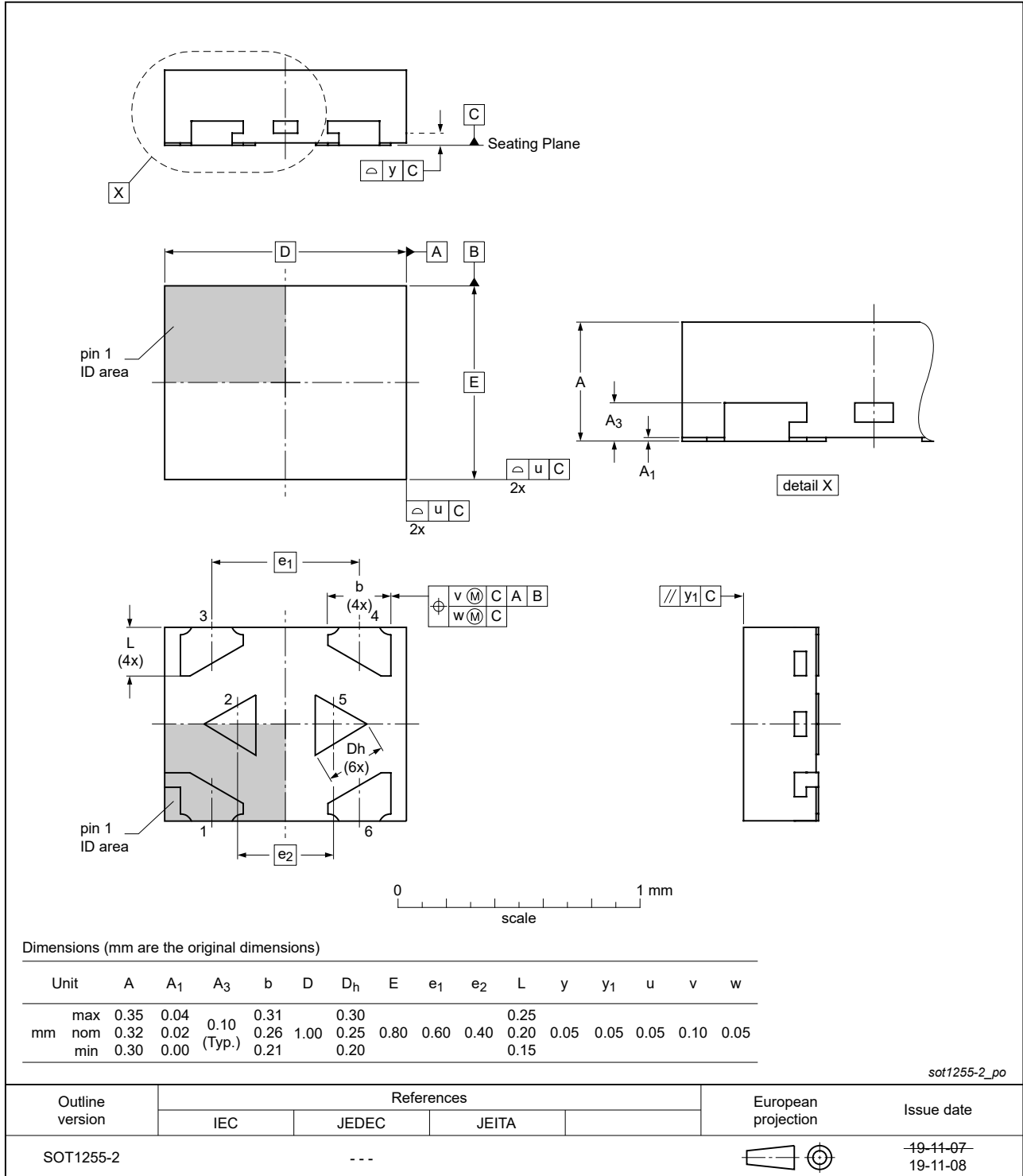


Fig. 17. Package outline SOT1255-2 (X2SON6)

13. Abbreviations

Table 15. Abbreviations

Acronym	Description
CDM	Charged Device Model
DUT	Device Under Test
ESD	ElectroStatic Discharge
HBM	Human Body Model

14. Revision history

Table 16. Revision history

Document ID	Release date	Data sheet status	Change notice	Supersedes
74AXP1T125 v.3	20211103	Product data sheet	-	74AXP1T125 v.2
Modifications:	<ul style="list-style-type: none"> Type number 74AXP1T125GX (SOT1255-2/X2SON6) added. Section 8: Derating values for P_{tot} total power dissipation updated. 			
74AXP1T125 v.2	20190322	Product data sheet	-	74AXP1T125 v.1
Modifications:	<ul style="list-style-type: none"> The format of this data sheet has been redesigned to comply with the identity guidelines of Nexperia. Legal texts have been adapted to the new company name where appropriate. Type number 74AXP1T125GW (SOT363) removed. 			
74AXP1T125 v.1	20151221	Product data sheet	-	-

15. Legal information

Data sheet status

Document status [1][2]	Product status [3]	Definition
Objective [short] data sheet	Development	This document contains data from the objective specification for product development.
Preliminary [short] data sheet	Qualification	This document contains data from the preliminary specification.
Product [short] data sheet	Production	This document contains the product specification.

- [1] Please consult the most recently issued document before initiating or completing a design.
- [2] The term 'short data sheet' is explained in section "Definitions".
- [3] The product status of device(s) described in this document may have changed since this document was published and may differ in case of multiple devices. The latest product status information is available on the internet at <https://www.nexperia.com>.

Definitions

Draft — The document is a draft version only. The content is still under internal review and subject to formal approval, which may result in modifications or additions. Nexperia does not give any representations or warranties as to the accuracy or completeness of information included herein and shall have no liability for the consequences of use of such information.

Short data sheet — A short data sheet is an extract from a full data sheet with the same product type number(s) and title. A short data sheet is intended for quick reference only and should not be relied upon to contain detailed and full information. For detailed and full information see the relevant full data sheet, which is available on request via the local Nexperia sales office. In case of any inconsistency or conflict with the short data sheet, the full data sheet shall prevail.

Product specification — The information and data provided in a Product data sheet shall define the specification of the product as agreed between Nexperia and its customer, unless Nexperia and customer have explicitly agreed otherwise in writing. In no event however, shall an agreement be valid in which the Nexperia product is deemed to offer functions and qualities beyond those described in the Product data sheet.

Disclaimers

Limited warranty and liability — Information in this document is believed to be accurate and reliable. However, Nexperia does not give any representations or warranties, expressed or implied, as to the accuracy or completeness of such information and shall have no liability for the consequences of use of such information. Nexperia takes no responsibility for the content in this document if provided by an information source outside of Nexperia.

In no event shall Nexperia be liable for any indirect, incidental, punitive, special or consequential damages (including - without limitation - lost profits, lost savings, business interruption, costs related to the removal or replacement of any products or rework charges) whether or not such damages are based on tort (including negligence), warranty, breach of contract or any other legal theory.

Notwithstanding any damages that customer might incur for any reason whatsoever, Nexperia's aggregate and cumulative liability towards customer for the products described herein shall be limited in accordance with the Terms and conditions of commercial sale of Nexperia.

Right to make changes — Nexperia reserves the right to make changes to information published in this document, including without limitation specifications and product descriptions, at any time and without notice. This document supersedes and replaces all information supplied prior to the publication hereof.

Suitability for use — Nexperia products are not designed, authorized or warranted to be suitable for use in life support, life-critical or safety-critical systems or equipment, nor in applications where failure or malfunction of an Nexperia product can reasonably be expected to result in personal

injury, death or severe property or environmental damage. Nexperia and its suppliers accept no liability for inclusion and/or use of Nexperia products in such equipment or applications and therefore such inclusion and/or use is at the customer's own risk.

Quick reference data — The Quick reference data is an extract of the product data given in the Limiting values and Characteristics sections of this document, and as such is not complete, exhaustive or legally binding.

Applications — Applications that are described herein for any of these products are for illustrative purposes only. Nexperia makes no representation or warranty that such applications will be suitable for the specified use without further testing or modification.

Customers are responsible for the design and operation of their applications and products using Nexperia products, and Nexperia accepts no liability for any assistance with applications or customer product design. It is customer's sole responsibility to determine whether the Nexperia product is suitable and fit for the customer's applications and products planned, as well as for the planned application and use of customer's third party customer(s). Customers should provide appropriate design and operating safeguards to minimize the risks associated with their applications and products.

Nexperia does not accept any liability related to any default, damage, costs or problem which is based on any weakness or default in the customer's applications or products, or the application or use by customer's third party customer(s). Customer is responsible for doing all necessary testing for the customer's applications and products using Nexperia products in order to avoid a default of the applications and the products or of the application or use by customer's third party customer(s). Nexperia does not accept any liability in this respect.

Limiting values — Stress above one or more limiting values (as defined in the Absolute Maximum Ratings System of IEC 60134) will cause permanent damage to the device. Limiting values are stress ratings only and (proper) operation of the device at these or any other conditions above those given in the Recommended operating conditions section (if present) or the Characteristics sections of this document is not warranted. Constant or repeated exposure to limiting values will permanently and irreversibly affect the quality and reliability of the device.

Terms and conditions of commercial sale — Nexperia products are sold subject to the general terms and conditions of commercial sale, as published at <http://www.nexperia.com/profile/terms>, unless otherwise agreed in a valid written individual agreement. In case an individual agreement is concluded only the terms and conditions of the respective agreement shall apply. Nexperia hereby expressly objects to applying the customer's general terms and conditions with regard to the purchase of Nexperia products by customer.

No offer to sell or license — Nothing in this document may be interpreted or construed as an offer to sell products that is open for acceptance or the grant, conveyance or implication of any license under any copyrights, patents or other industrial or intellectual property rights.

Export control — This document as well as the item(s) described herein may be subject to export control regulations. Export might require a prior authorization from competent authorities.

Non-automotive qualified products — Unless this data sheet expressly states that this specific Nexperia product is automotive qualified, the product is not suitable for automotive use. It is neither qualified nor tested in accordance with automotive testing or application requirements. Nexperia accepts no liability for inclusion and/or use of non-automotive qualified products in automotive equipment or applications.

In the event that customer uses the product for design-in and use in automotive applications to automotive specifications and standards, customer (a) shall use the product without Nexperia's warranty of the product for such automotive applications, use and specifications, and (b) whenever customer uses the product for automotive applications beyond Nexperia's specifications such use shall be solely at customer's own risk, and (c) customer fully indemnifies Nexperia for any liability, damages or failed product claims resulting from customer design and use of the product for automotive applications beyond Nexperia's standard warranty and Nexperia's product specifications.

Translations — A non-English (translated) version of a document is for reference only. The English version shall prevail in case of any discrepancy between the translated and English versions.

Trademarks

Notice: All referenced brands, product names, service names and trademarks are the property of their respective owners.

Contents

1. General description	1
2. Features and benefits	1
3. Ordering information	2
4. Marking	2
5. Functional diagram	2
6. Pinning information	3
6.1. Pinning.....	3
6.2. Pin description.....	3
7. Functional description	3
8. Limiting values	4
9. Recommended operating conditions	4
10. Static characteristics	5
11. Dynamic characteristics	6
11.1. Waveforms, graphs and test circuit.....	10
12. Package outline	13
13. Abbreviations	17
14. Revision history	17
15. Legal information	18

© Nexperia B.V. 2021. All rights reserved

For more information, please visit: <http://www.nexperia.com>

For sales office addresses, please send an email to: salesaddresses@nexperia.com

Date of release: 3 November 2021