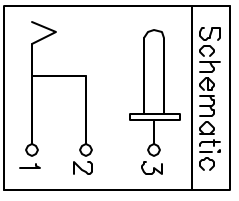
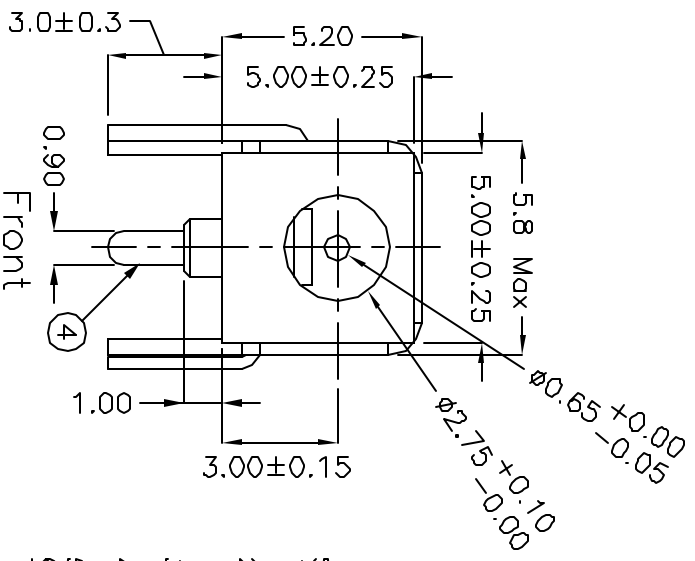


Note: ±0.2 for PCB Layout



- Specifications:
1. Insulation Resistance: 100MΩhms min. (Initial)
  2. Contact Resistance (Initial): 30mΩhms max at 100mA(max) 1KHz.
  3. Dielectric Withstand Voltage: AC 250V, 50 to 60Hz for 1 minute.
  4. Endurance: 5,000 Cycles 10 ~ 20 cycles per minute.
  5. Rated Voltage: 3.15 Volts DC
  6. Rated Current: 2.0 Amps DC
  7. Operating Temp: -25 to +85 deg. C.

Unless otherwise specified:  
Dimensions Tolerance on Decimals ±0.3

No.	Description	Material	Finish	Qty	Note
5	Shield	SPCC	Nickel	1	40T
4	Center Pin	PBW	Silver	1	∅0.65
3	Shunt Terminal	Brass	Silver	1	40T
2	Spring Contact	Ti-Cu Alloy	Silver	1	30T
1	Plastic Housing	Polyamide	Black Color	1	UL94V-0



9615 SW Allen, Suite 103  
Beverton, OR 97005  
Phone: (503) 643-4899  
800-276-4899  
Fax: (503) 372-1266  
Website: www.cui.com

TITLE: ∅0.65 DC Power Jack w/Shield, PCB Mount

PART NO. PU-023 UNITS: Millimeters  
DRAWN BY: Todd White APPROVED BY: SCALE: 5x