

**LEVER BODY**

Glass-fibre reinforced polyamide based (PA) technopolymer, grey-black colour, matte finish.

**PUSH BUTTON**

Technopolymer in grey-black or orange colours, glossy finish.

**STANDARD EXECUTIONS**

Glass-fibre reinforced technopolymer clamping element with retaining pin, black colour, with knurling on the protruding part to make initial tightening easier. AISI 302 stainless steel return spring.

- **MRT-B:** brass boss, threaded blind hole.
- **MRT-SST:** AISI 303 stainless steel boss, threaded blind hole.
- **MRT-p:** zinc-plated steel threaded stud, chamfered flat end ISO 4753 (see Technical Data on page A-10).
- **MRT-SST-p:** AISI 303 stainless steel threaded stud, chamfered flat end ISO 4753 (see Technical Data on page A-10).

**FEATURES AND APPLICATIONS**

Flat adjustable handle, open configuration to avoid any deposit of unhygienic residues or scraps and dirt.

Particularly suitable when the lever turning angle is limited owing to lack of space.

Compared to other types of adjustable handles with metal retaining screw this solution offers:

- absolute electric insulation for the operator
- no visible steel parts subject to rust
- more comfortable lever release.

**STRESS RESISTANCE**

See ERX. on page 324.

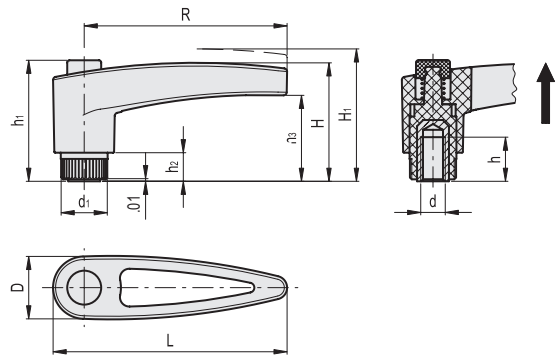
**INSTRUCTIONS OF USE**

For clamping, lift the lever to disengage the clamping device teeth and bring it back to start position. By releasing the lever, the return spring automatically engages the teeth.



ELESA Original design

**MRT-B**  
**MRT-SST**



\* Complete with colour index, example: 940110-C1 MRT.42-B-10-24-C1

**C1**  
RAL7021

**C2**  
RAL2004

**MRT-B**

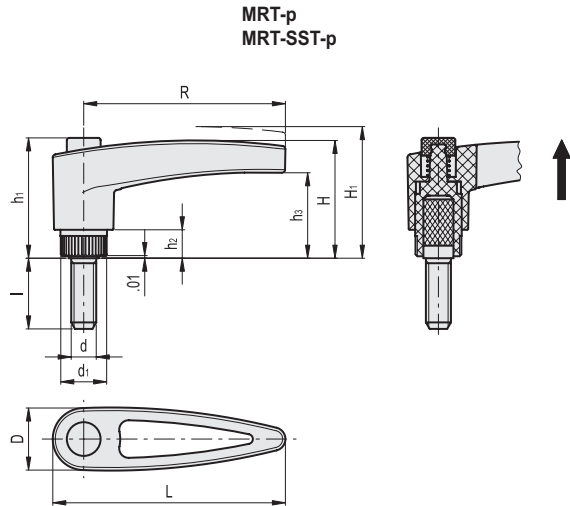
| Code     | Description        | R    | d28     | L    | D    | H    | H1   | h    | h1   | h2   | h3   | d1   | Teeth nr |      |
|----------|--------------------|------|---------|------|------|------|------|------|------|------|------|------|----------|------|
| 940110-* | MRT.42-B-10-24-*   | 1.69 | 10-24   | 2.01 | 0.63 | 1.1  | 1.24 | 0.39 | 1.14 | 0.24 | 0.85 | 0.47 | 18       | 0.02 |
| 940111-* | MRT.42-B-10-32-*   | 1.69 | 10-32   | 2.01 | 0.63 | 1.1  | 1.24 | 0.39 | 1.14 | 0.24 | 0.85 | 0.47 | 18       | 0.02 |
| 940112-* | MRT.42-B-1/4-20-*  | 1.69 | 1/4-20  | 2.01 | 0.63 | 1.1  | 1.24 | 0.39 | 1.14 | 0.24 | 0.85 | 0.47 | 18       | 0.02 |
| 940121-* | MRT.65-B-1/4-20-*  | 2.54 | 1/4-20  | 2.93 | 0.79 | 1.46 | 1.61 | 0.47 | 1.5  | 0.35 | 1.06 | 0.59 | 20       | 0.05 |
| 940122-* | MRT.65-B-5/16-18-* | 2.54 | 5/16-18 | 2.93 | 0.79 | 1.46 | 1.61 | 0.51 | 1.5  | 0.35 | 1.06 | 0.59 | 20       | 0.05 |
| 940131-* | MRT.80-B-5/16-18-* | 3.13 | 5/16-18 | 3.62 | 0.98 | 1.77 | 1.93 | 0.71 | 1.85 | 0.43 | 1.36 | 0.73 | 24       | 0.11 |
| 940132-* | MRT.80-B-3/8-16-*  | 3.13 | 3/8-16  | 3.62 | 0.98 | 1.77 | 1.93 | 0.67 | 1.85 | 0.43 | 1.36 | 0.73 | 24       | 0.1  |
| 940133-* | MRT.80-B-1/2-13-*  | 3.13 | 1/2-13  | 3.62 | 0.98 | 1.77 | 1.93 | 0.67 | 1.85 | 0.43 | 1.36 | 0.73 | 24       | 0.1  |

**MRT-SST**

| Code     | Description          | R    | d28     | L    | D    | H    | H1   | h    | h1   | h2   | h3   | d1   | Teeth nr |      |
|----------|----------------------|------|---------|------|------|------|------|------|------|------|------|------|----------|------|
| 940613-* | MRT.42-SST-10-24-*   | 1.69 | 10-24   | 2.01 | 0.63 | 1.1  | 1.24 | 0.39 | 1.14 | 0.24 | 0.85 | 0.47 | 18       | 0.02 |
| 940616-* | MRT.42-SST-1/4-20-*  | 1.69 | 1/4-20  | 2.01 | 0.63 | 1.1  | 1.24 | 0.39 | 1.14 | 0.24 | 0.85 | 0.47 | 18       | 0.02 |
| 940622-* | MRT.65-SST-5/16-18-* | 2.54 | 5/16-18 | 2.93 | 0.79 | 1.46 | 1.61 | 0.51 | 1.5  | 0.35 | 1.06 | 0.59 | 20       | 0.05 |
| 940626-* | MRT.80-SST-3/8-16-*  | 3.13 | 3/8-16  | 3.62 | 0.98 | 1.77 | 1.93 | 0.67 | 1.85 | 0.43 | 1.36 | 0.73 | 24       | 0.09 |



- 1
- 2
- 3
- 4
- 5
- 6
- 7
- 8
- 9
- 10
- 11
- 12
- 13
- 14
- 15
- 16
- 17
- 18



\* Complete with colour index, example: 940291-C1 MRT.42-p-10-24x1/2-C1

**C1**  
RAL7021

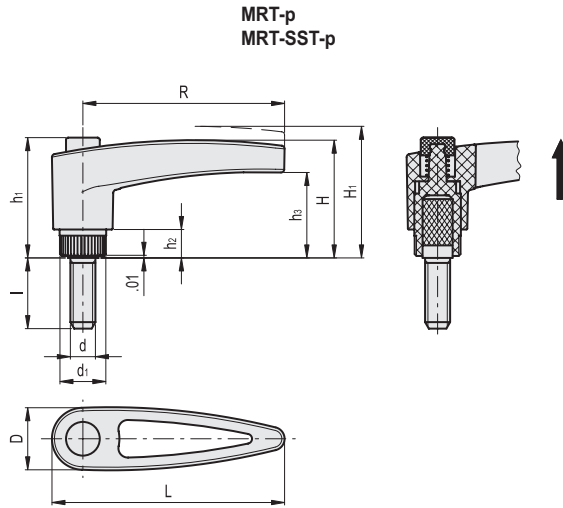
**C2**  
RAL2004

**INCH**

**MRT-p**

| Code     | Description            | R    | d2A     | L    | D    | H    | H1   | h1   | h2   | h3   | d1   | l     | Teeth nr |      |
|----------|------------------------|------|---------|------|------|------|------|------|------|------|------|-------|----------|------|
| 940291.* | MRT.42-p-10-24x1/2-*   | 1.69 | 10-24   | 2.01 | 0.63 | 1.1  | 1.24 | 1.14 | 0.24 | 0.85 | 0.47 | 0.500 | 18       | 0.03 |
| 940293.* | MRT.42-p-10-24x5/8-*   | 1.69 | 10-24   | 2.01 | 0.63 | 1.1  | 1.24 | 1.14 | 0.24 | 0.85 | 0.47 | 0.625 | 18       | 0.03 |
| 940295.* | MRT.42-p-10-24x3/4-*   | 1.69 | 10-24   | 2.01 | 0.63 | 1.1  | 1.24 | 1.14 | 0.24 | 0.85 | 0.47 | 0.750 | 18       | 0.03 |
| 940297.* | MRT.42-p-10-24x1-*     | 1.69 | 10-24   | 2.01 | 0.63 | 1.1  | 1.24 | 1.14 | 0.24 | 0.85 | 0.47 | 1.000 | 18       | 0.04 |
| 940301.* | MRT.42-p-10-32x1/2-*   | 1.69 | 10-32   | 2.01 | 0.63 | 1.1  | 1.24 | 1.14 | 0.24 | 0.85 | 0.47 | 0.500 | 18       | 0.04 |
| 940303.* | MRT.42-p-10-32x3/4-*   | 1.69 | 10-32   | 2.01 | 0.63 | 1.1  | 1.24 | 1.14 | 0.24 | 0.85 | 0.47 | 0.750 | 18       | 0.04 |
| 940311.* | MRT.42-p-1/4-20x1/2-*  | 1.69 | 1/4-20  | 2.01 | 0.63 | 1.1  | 1.24 | 1.14 | 0.24 | 0.85 | 0.47 | 0.500 | 18       | 0.03 |
| 940312.* | MRT.42-p-1/4-20x5/8-*  | 1.69 | 1/4-20  | 2.01 | 0.63 | 1.1  | 1.24 | 1.14 | 0.24 | 0.85 | 0.47 | 0.625 | 18       | 0.04 |
| 940313.* | MRT.42-p-1/4-20x3/4-*  | 1.69 | 1/4-20  | 2.01 | 0.63 | 1.1  | 1.24 | 1.14 | 0.24 | 0.85 | 0.47 | 0.750 | 18       | 0.04 |
| 940314.* | MRT.42-p-1/4-20x1-*    | 1.69 | 1/4-20  | 2.01 | 0.63 | 1.1  | 1.24 | 1.14 | 0.24 | 0.85 | 0.47 | 1.000 | 18       | 0.04 |
| 940317.* | MRT.42-p-1/4-20x1½-*   | 1.69 | 1/4-20  | 2.01 | 0.63 | 1.1  | 1.24 | 1.14 | 0.24 | 0.85 | 0.47 | 1.500 | 18       | 0.05 |
| 940331.* | MRT.65-p-1/4-20x1/2-*  | 2.54 | 1/4-20  | 2.93 | 0.79 | 1.46 | 1.61 | 1.5  | 0.35 | 1.06 | 0.59 | 0.500 | 20       | 0.06 |
| 940333.* | MRT.65-p-1/4-20x5/8-*  | 2.54 | 1/4-20  | 2.93 | 0.79 | 1.46 | 1.61 | 1.5  | 0.35 | 1.06 | 0.59 | 0.625 | 20       | 0.06 |
| 940335.* | MRT.65-p-1/4-20x3/4-*  | 2.54 | 1/4-20  | 2.93 | 0.79 | 1.46 | 1.61 | 1.5  | 0.35 | 1.06 | 0.59 | 0.750 | 20       | 0.07 |
| 940337.* | MRT.65-p-1/4-20x1-*    | 2.54 | 1/4-20  | 2.93 | 0.79 | 1.46 | 1.61 | 1.5  | 0.35 | 1.06 | 0.59 | 1.000 | 20       | 0.07 |
| 940339.* | MRT.65-p-1/4-20x1¼-*   | 2.54 | 1/4-20  | 2.93 | 0.79 | 1.46 | 1.61 | 1.5  | 0.35 | 1.06 | 0.59 | 1.250 | 20       | 0.07 |
| 940341.* | MRT.65-p-1/4-20x1½-*   | 2.54 | 1/4-20  | 2.93 | 0.79 | 1.46 | 1.61 | 1.5  | 0.35 | 1.06 | 0.59 | 1.500 | 20       | 0.08 |
| 940349.* | MRT.65-p-5/16-18x1/2-* | 2.54 | 5/16-18 | 2.93 | 0.79 | 1.46 | 1.61 | 1.5  | 0.35 | 1.06 | 0.59 | 0.500 | 20       | 0.07 |
| 940351.* | MRT.65-p-5/16-18x5/8-* | 2.54 | 5/16-18 | 2.93 | 0.79 | 1.46 | 1.61 | 1.5  | 0.35 | 1.06 | 0.59 | 0.625 | 20       | 0.07 |
| 940352.* | MRT.65-p-5/16-18x3/4-* | 2.54 | 5/16-18 | 2.93 | 0.79 | 1.46 | 1.61 | 1.5  | 0.35 | 1.06 | 0.59 | 0.750 | 20       | 0.08 |
| 940353.* | MRT.65-p-5/16-18x1-*   | 2.54 | 5/16-18 | 2.93 | 0.79 | 1.46 | 1.61 | 1.5  | 0.35 | 1.06 | 0.59 | 1.000 | 20       | 0.07 |
| 940354.* | MRT.65-p-5/16-18x1¼-*  | 2.54 | 5/16-18 | 2.93 | 0.79 | 1.46 | 1.61 | 1.5  | 0.35 | 1.06 | 0.59 | 1.250 | 20       | 0.07 |
| 940356.* | MRT.65-p-5/16-18x1½-*  | 2.54 | 5/16-18 | 2.93 | 0.79 | 1.46 | 1.61 | 1.5  | 0.35 | 1.06 | 0.59 | 1.500 | 20       | 0.08 |
| 940357.* | MRT.65-p-5/16-18x2-*   | 2.54 | 5/16-18 | 2.93 | 0.79 | 1.46 | 1.61 | 1.5  | 0.35 | 1.06 | 0.59 | 2.000 | 20       | 0.08 |
| 940361.* | MRT.65-p-3/8-16x3/4-*  | 2.54 | 3/8-16  | 2.93 | 0.79 | 1.46 | 1.61 | 1.5  | 0.35 | 1.06 | 0.59 | 0.750 | 20       | 0.09 |
| 940365.* | MRT.65-p-3/8-16x1¼-*   | 2.54 | 3/8-16  | 2.93 | 0.79 | 1.46 | 1.61 | 1.5  | 0.35 | 1.06 | 0.59 | 1.250 | 20       | 0.09 |
| 940381.* | MRT.80-p-3/8-16x1-*    | 3.13 | 3/8-16  | 3.62 | 0.98 | 1.77 | 1.93 | 1.85 | 0.43 | 1.36 | 0.73 | 1.000 | 24       | 0.1  |
| 940383.* | MRT.80-p-3/8-16x1¼-*   | 3.13 | 3/8-16  | 3.62 | 0.98 | 1.77 | 1.93 | 1.85 | 0.43 | 1.36 | 0.73 | 1.250 | 24       | 0.1  |
| 940385.* | MRT.80-p-3/8-16x1½-*   | 3.13 | 3/8-16  | 3.62 | 0.98 | 1.77 | 1.93 | 1.85 | 0.43 | 1.36 | 0.73 | 1.500 | 24       | 0.11 |
| 940386.* | MRT.80-p-3/8-16x2-*    | 3.13 | 3/8-16  | 3.62 | 0.98 | 1.77 | 1.93 | 1.85 | 0.43 | 1.36 | 0.73 | 2.000 | 24       | 0.15 |
| 940387.* | MRT.80-p-3/8-16x2½-*   | 3.13 | 3/8-16  | 3.62 | 0.98 | 1.77 | 1.93 | 1.85 | 0.43 | 1.36 | 0.73 | 2.500 | 24       | 0.19 |
| 940403.* | MRT.80-p-1/2-13x1¼-*   | 3.13 | 1/2-13  | 3.62 | 0.98 | 1.77 | 1.93 | 1.85 | 0.43 | 1.36 | 0.73 | 1.250 | 24       | 0.17 |
| 940405.* | MRT.80-p-1/2-13x1½-*   | 3.13 | 1/2-13  | 3.62 | 0.98 | 1.77 | 1.93 | 1.85 | 0.43 | 1.36 | 0.73 | 1.500 | 24       | 0.18 |
| 940407.* | MRT.80-p-1/2-13x2-*    | 3.13 | 1/2-13  | 3.62 | 0.98 | 1.77 | 1.93 | 1.85 | 0.43 | 1.36 | 0.73 | 2.000 | 24       | 0.19 |

Clamping levers



\* Complete with colour index, example: 940663-C1 MRT.42-SST-p-10-24x5/8-C1

**C1**  
RAL7021

**C2**  
RAL2004

MRT-SST-p



| Code     | Description                | R    | d2A     | L    | D    | H    | H1   | h1   | h2   | h3   | d1   | l     | Teeth nr | ⚖️   |
|----------|----------------------------|------|---------|------|------|------|------|------|------|------|------|-------|----------|------|
| 940663-* | MRT.42-SST-p-10-24x5/8-*   | 1.69 | 10-24   | 2.01 | 0.63 | 1.1  | 1.24 | 1.14 | 0.24 | 0.85 | 0.47 | 0.625 | 18       | 0.02 |
| 940665-* | MRT.42-SST-p-10-32x3/4-*   | 1.69 | 10-32   | 2.01 | 0.63 | 1.1  | 1.24 | 1.14 | 0.24 | 0.85 | 0.47 | 0.750 | 18       | 0.03 |
| 940670-* | MRT.42-SST-p-1/4-20x1/2-*  | 1.69 | 1/4-20  | 2.01 | 0.63 | 1.1  | 1.24 | 1.14 | 0.24 | 0.85 | 0.47 | 0.500 | 18       | 0.03 |
| 940671-* | MRT.42-SST-p-1/4-20x5/8-*  | 1.69 | 1/4-20  | 2.01 | 0.63 | 1.1  | 1.24 | 1.14 | 0.24 | 0.85 | 0.47 | 0.625 | 18       | 0.04 |
| 940672-* | MRT.42-SST-p-1/4-20x3/4-*  | 1.69 | 1/4-20  | 2.01 | 0.63 | 1.1  | 1.24 | 1.14 | 0.24 | 0.85 | 0.47 | 0.750 | 18       | 0.04 |
| 940673-* | MRT.42-SST-p-1/4-20x1-*    | 1.69 | 1/4-20  | 2.01 | 0.63 | 1.1  | 1.24 | 1.14 | 0.24 | 0.85 | 0.47 | 1.000 | 18       | 0.04 |
| 940681-* | MRT.65-SST-p-1/4-20x1/2-*  | 2.54 | 1/4-20  | 2.93 | 0.79 | 1.46 | 1.61 | 1.5  | 0.35 | 1.06 | 0.59 | 0.500 | 20       | 0.06 |
| 940683-* | MRT.65-SST-p-1/4-20x5/8-*  | 2.54 | 1/4-20  | 2.93 | 0.79 | 1.46 | 1.61 | 1.5  | 0.35 | 1.06 | 0.59 | 0.625 | 20       | 0.07 |
| 940685-* | MRT.65-SST-p-1/4-20x3/4-*  | 2.54 | 1/4-20  | 2.93 | 0.79 | 1.46 | 1.61 | 1.5  | 0.35 | 1.06 | 0.59 | 0.750 | 20       | 0.07 |
| 940691-* | MRT.65-SST-p-5/16-18x5/8-* | 2.54 | 5/16-18 | 2.93 | 0.79 | 1.46 | 1.61 | 1.5  | 0.35 | 1.06 | 0.59 | 0.625 | 20       | 0.07 |
| 940692-* | MRT.65-SST-p-5/16-18x3/4-* | 2.54 | 5/16-18 | 2.93 | 0.79 | 1.46 | 1.61 | 1.5  | 0.35 | 1.06 | 0.59 | 0.750 | 20       | 0.08 |
| 940693-* | MRT.65-SST-p-5/16-18x1-*   | 2.54 | 5/16-18 | 2.93 | 0.79 | 1.46 | 1.61 | 1.5  | 0.35 | 1.06 | 0.59 | 1.000 | 20       | 0.08 |
| 940694-* | MRT.65-SST-p-5/16-18x1¼-*  | 2.54 | 5/16-18 | 2.93 | 0.79 | 1.46 | 1.61 | 1.5  | 0.35 | 1.06 | 0.59 | 1.250 | 20       | 0.09 |
| 940695-* | MRT.65-SST-p-5/16-18x1½-*  | 2.54 | 5/16-18 | 2.93 | 0.79 | 1.46 | 1.61 | 1.5  | 0.35 | 1.06 | 0.59 | 1.500 | 20       | 0.09 |
| 940697-* | MRT.65-SST-p-3/8-16x3/4-*  | 2.54 | 3/8-16  | 2.93 | 0.79 | 1.46 | 1.61 | 1.5  | 0.35 | 1.06 | 0.59 | 0.750 | 20       | 0.09 |
| 940699-* | MRT.65-SST-p-3/8-16x1¼-*   | 2.54 | 3/8-16  | 2.93 | 0.79 | 1.46 | 1.61 | 1.5  | 0.35 | 1.06 | 0.59 | 1.250 | 20       | 0.09 |
| 940701-* | MRT.80-SST-p-3/8-16x3/4-*  | 3.13 | 3/8-16  | 3.62 | 0.98 | 1.77 | 1.93 | 1.85 | 0.43 | 1.36 | 0.73 | 0.750 | 24       | 0.15 |
| 940702-* | MRT.80-SST-p-3/8-16x1-*    | 3.13 | 3/8-16  | 3.62 | 0.98 | 1.77 | 1.93 | 1.85 | 0.43 | 1.36 | 0.73 | 1.000 | 24       | 0.15 |
| 940703-* | MRT.80-SST-p-3/8-16x1¼-*   | 3.13 | 3/8-16  | 3.62 | 0.98 | 1.77 | 1.93 | 1.85 | 0.43 | 1.36 | 0.73 | 1.250 | 24       | 0.16 |
| 940704-* | MRT.80-SST-p-3/8-16x1½-*   | 3.13 | 3/8-16  | 3.62 | 0.98 | 1.77 | 1.93 | 1.85 | 0.43 | 1.36 | 0.73 | 1.500 | 24       | 0.17 |
| 940705-* | MRT.80-SST-p-3/8-16x2-*    | 3.13 | 3/8-16  | 3.62 | 0.98 | 1.77 | 1.93 | 1.85 | 0.43 | 1.36 | 0.73 | 2.000 | 24       | 0.18 |
| 940721-* | MRT.80-SST-p-1/2-13x1¼-*   | 3.13 | 1/2-13  | 3.62 | 0.98 | 1.77 | 1.93 | 1.85 | 0.43 | 1.36 | 0.73 | 1.250 | 24       | 0.18 |
| 940723-* | MRT.80-SST-p-1/2-13x1½-*   | 3.13 | 1/2-13  | 3.62 | 0.98 | 1.77 | 1.93 | 1.85 | 0.43 | 1.36 | 0.73 | 1.500 | 24       | 0.19 |
| 940725-* | MRT.80-SST-p-1/2-13x2-*    | 3.13 | 1/2-13  | 3.62 | 0.98 | 1.77 | 1.93 | 1.85 | 0.43 | 1.36 | 0.73 | 2.000 | 24       | 0.19 |



Clamping levers