

1.27mm Pitch

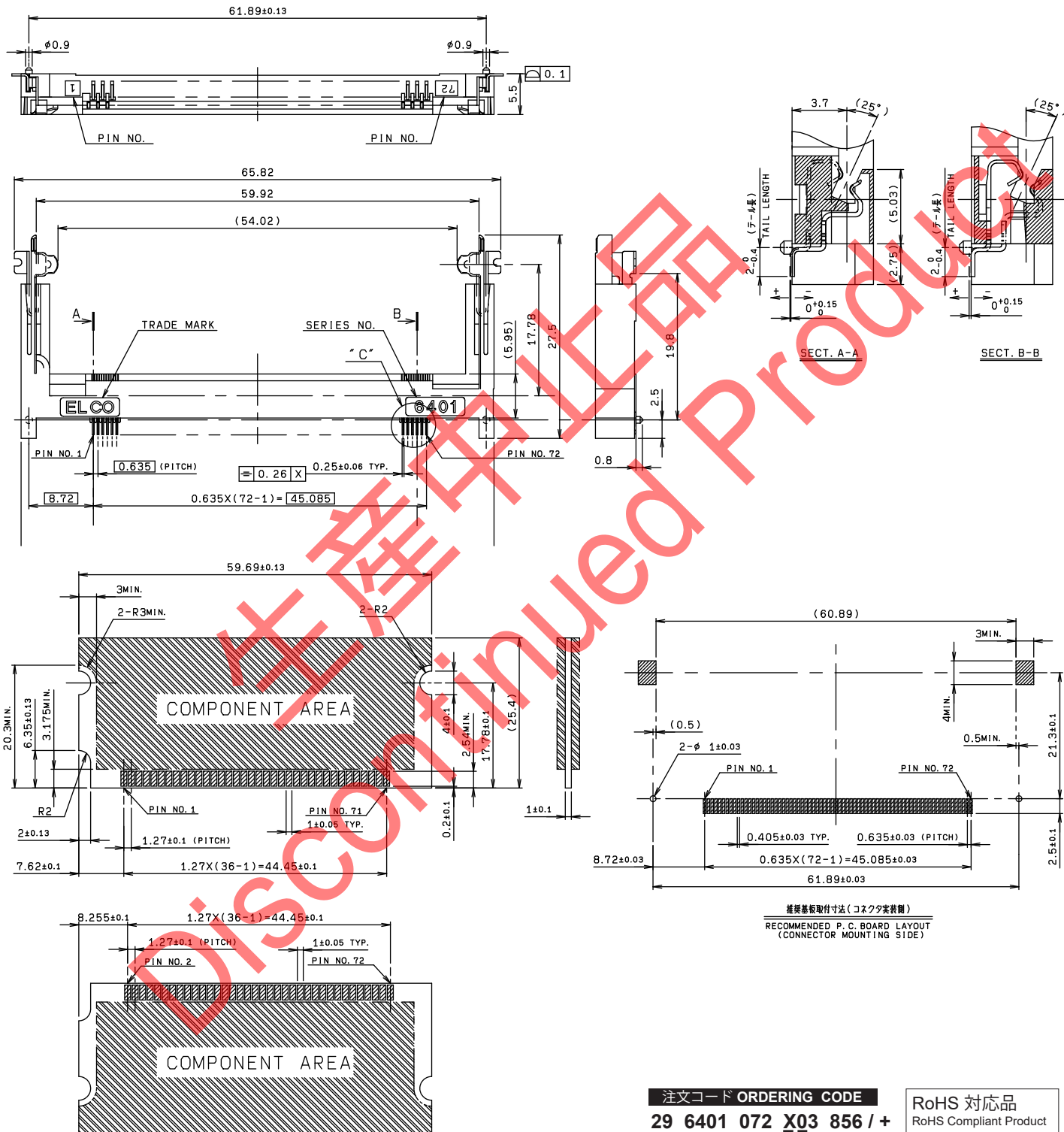
SERIES

# 6401

S.O.DIMM RA SMT 72極

S.O.DIMM RA SMT 72 Positions

●H=5.5 (5.0V)



推奨メモリー基板寸法  
RECOMMENDED MEMORY BOARD LAYOUT

推奨基板取付寸法 (コネクタ裏側)  
RECOMMENDED P.C. BOARD LAYOUT (CONNECTOR MOUNTING SIDE)

注文コード ORDERING CODE  
29 6401 072 X03 856 / +

RoHS 対応品  
RoHS Compliant Product

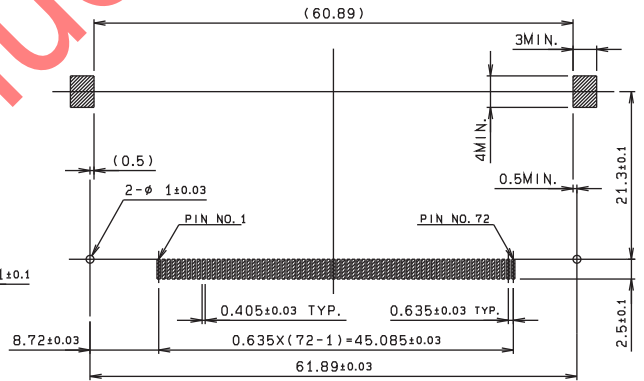
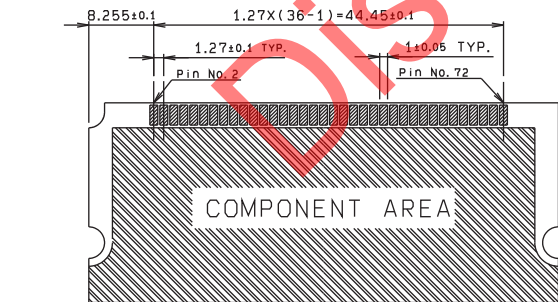
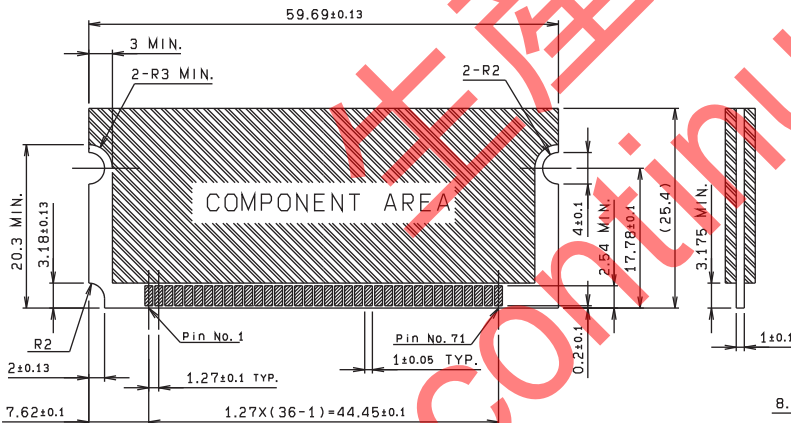
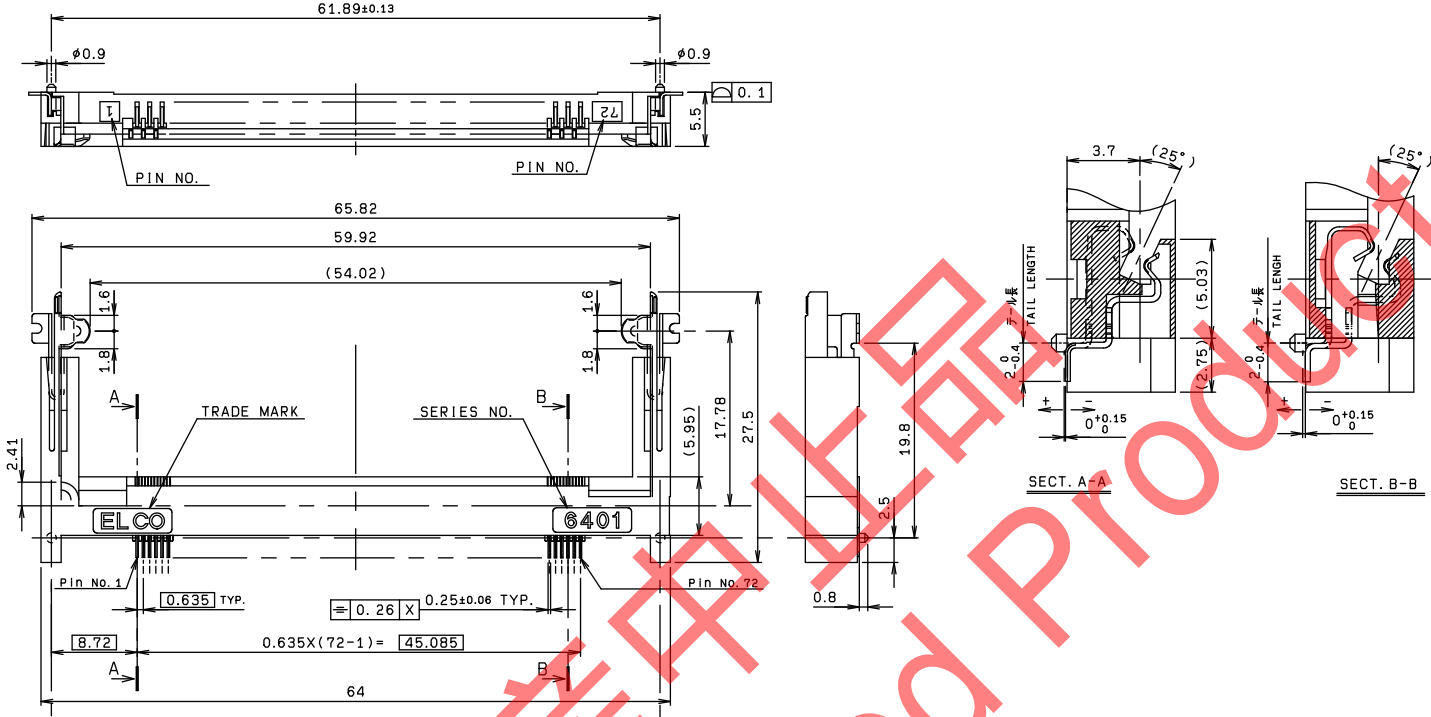
- 5.0V
- 0: NORMAL TRAY (30 / Tray)
- 1: WIDE TRAY (20 / Tray)

1.27mm Pitch  
SERIES

# 6401

S.O.DIMM RA SMT 72極  
S.O.DIMM RA SMT 72 Positions

●H=5.5 (3.3V)



推奨基板取付寸法 (コネクタ実装側)  
RECOMMENDED P.C. BOARD LAYOUT  
(CONNECTOR MOUNTING SIDE)

推奨メモリー基板寸法  
RECOMMENDED MEMORY BOARD  
LAYOUT

注文コード ORDERING CODE  
29 6401 072 X13 856 / +

RoHS 対応品  
RoHS Compliant Product

- 3.3V
- 0: NORMAL TRAY (30 / Tray)
- 1: WIDE TRAY (20 / Tray)

1.27mm Pitch

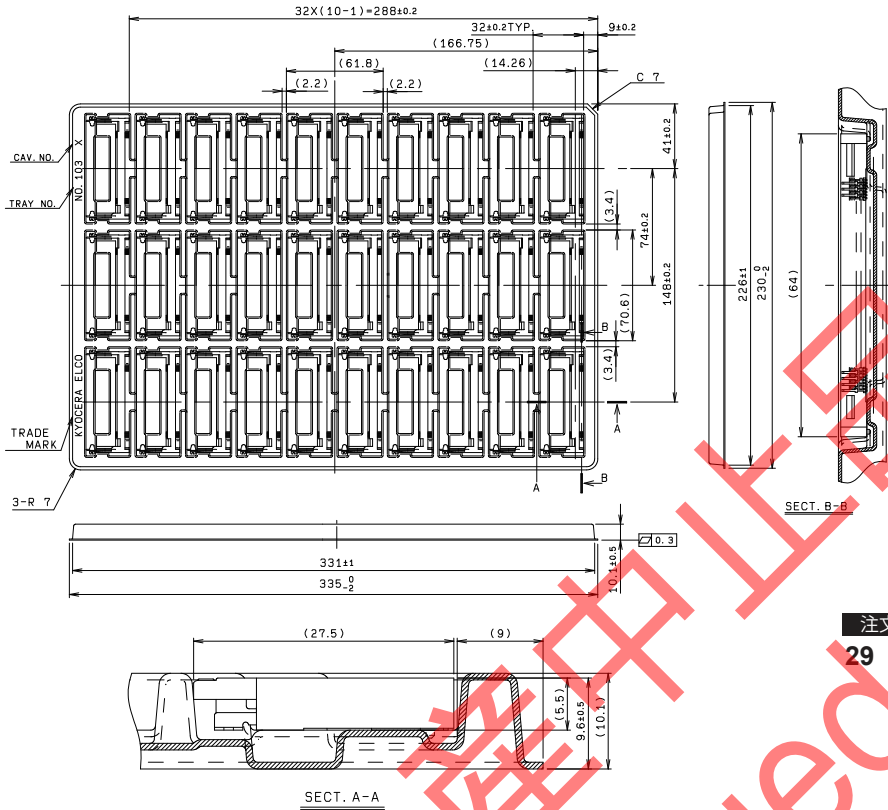
SERIES

# 6401

S.O.DIMM RA SMT 72極

S.O.DIMM RA SMT 72 Positions

●Normal Tray



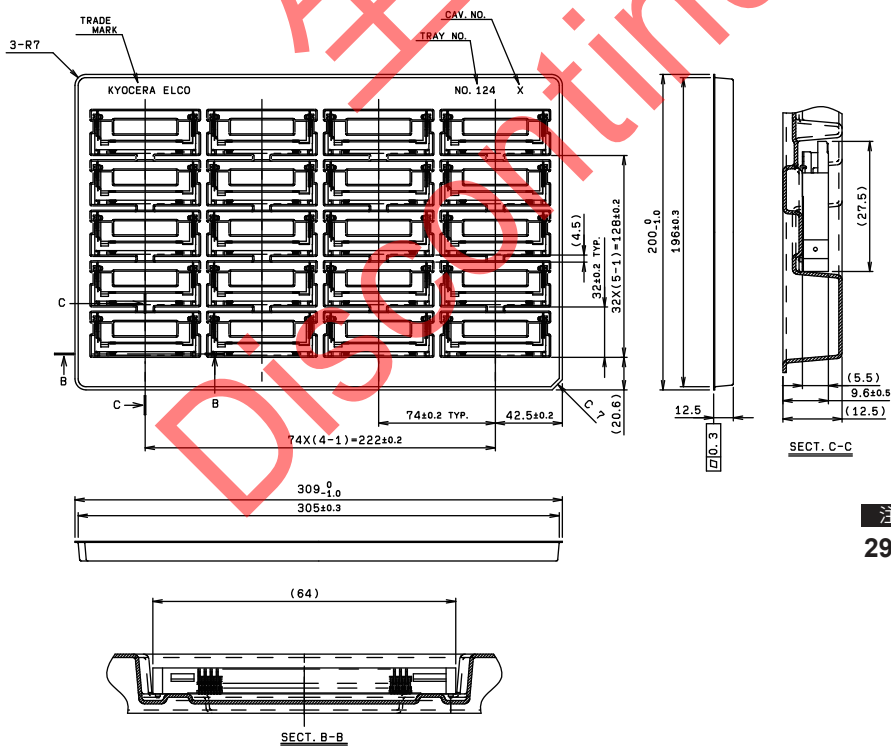
注文コード ORDERING CODE  
29 6401 072 0x3 856 / +

RoHS 対応品  
RoHS Compliant Product

- 0: 5.0V
- 1: 3.3V
- 0: NORMAL TRAY

梱包数量：30個／トレー  
PACKING QUANTITY：30 / Tray

●Wide Tray



注文コード ORDERING CODE  
29 6401 072 1x3 856 / +

RoHS 対応品  
RoHS Compliant Product

- 0: 5.0V
- 1: 3.3V
- 1: WIDE TRAY

梱包数量：20個／トレー  
PACKING QUANTITY：20 / Tray