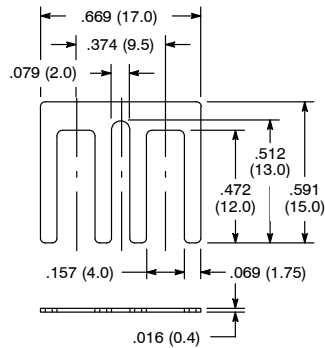


ACCESSORIES

Jumper – Barrier Type



Pitch: 9.5mm

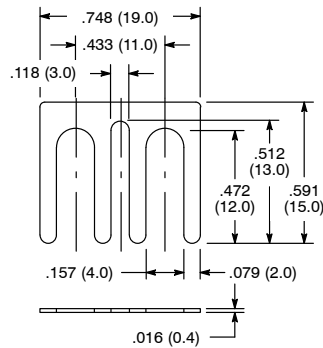
Features:

- Safe and Reliable, Easy to Operate

Ordering Information

Number of Poles	NTE Part Number
2	25-JB95-02

Jumper – Barrier Type



Pitch: 11mm

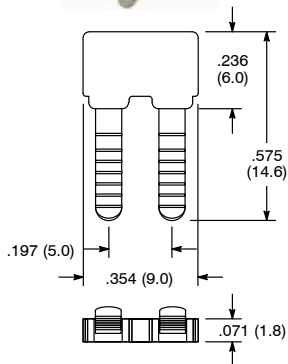
Features:

- Safe and Reliable, Easy to Operate

Ordering Information

Number of Poles	NTE Part Number
2	25-JB11-02

Jumper – Euro-Style



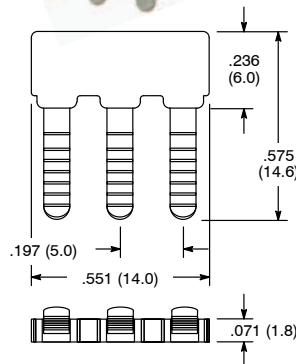
Pitch: 5 / 5.08mm

Features:

- Safe and Reliable, Easy to Operate

Ordering Information

Number of Poles	NTE Part Number
2	25-JE05-02



Pitch: 5 / 5.08mm

Features:

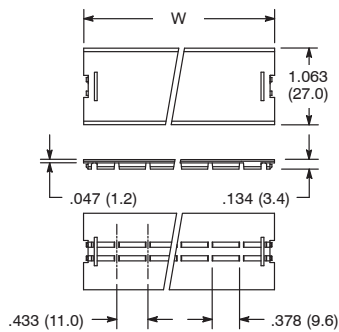
- Safe and Reliable, Easy to Operate

Ordering Information

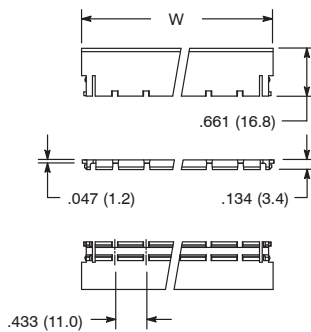
Number of Poles	NTE Part Number
3	25-JE05-03

ACCESSORIES

Protective Cover for 25-B610 Types



Flip-Type Protective Cover for 25-B610 Types



Ordering Information

Number of Poles	NTE Part Number	Width (W)
2	25-B610-PC2	.921 (23.4)
3	25-B610-PC3	1.354 (34.4)
4	25-B610-PC4	1.787 (45.4)
5	25-B610-PC5	2.220 (56.4)
6	25-B610-PC6	2.654 (67.4)
7	25-B610-PC7	3.087 (78.4)
8	25-B610-PC8	3.520 (89.4)
9	25-B610-PC9	3.953 (100.4)

Ordering Information

Number of Poles	NTE Part Number	Width (W)
2	25-B610-FC2	.921 (23.4)
3	25-B610-FC3	1.354 (34.4)
4	25-B610-FC4	1.787 (45.4)
5	25-B610-FC5	2.220 (56.4)
6	25-B610-FC6	2.654 (67.4)
7	25-B610-FC7	3.087 (78.4)
8	25-B610-FC8	3.520 (89.4)
9	25-B610-FC9	3.953 (100.4)