

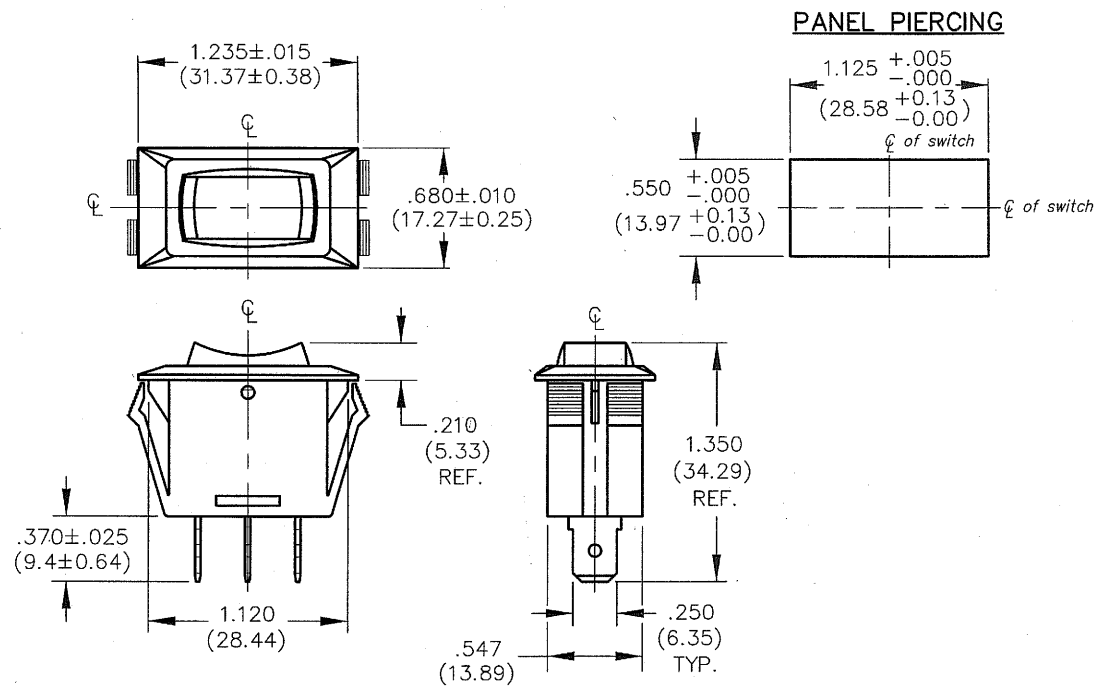
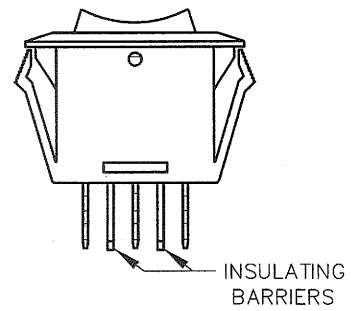
THIS INFORMATION IS CONFIDENTIAL AND PROPRIETARY TO CW INDUSTRIES INCORPORATED AND ITS AFFILIATES. IT MAY NOT BE DISCLOSED TO ANYONE OTHER THAN CW INDUSTRIES PERSONNEL, WITHOUT WRITTEN AUTHORIZATION FROM CW INDUSTRIES INCORPORATED, SOUTHAMPTON, PENNSYLVANIA USA.

DIMENSIONS IN INCHES (MILLIMETERS)
DO NOT SCALE DRAWING

Dwg. No.
GRS-2013B-XXXX

PANEL THICKNESS
.025" to .180"
(0.64mm to 4.57mm)

OPTIONAL BARRIERS:



1	2	3	4	5	6	7	8	9	10
---	---	---	---	---	---	---	---	---	----

B-FORMAT 2002	REVISIONS	0	RELEASED DGW	28-2010	OCT 25 2010				
---------------	------------------	---	-----------------	---------	-------------	--	--	--	--

PDF FILE MADE	CW INDUSTRIES Southampton, Pa. 18966	Title: CENTER OFF ROCKER SWITCH WITH OPTIONS
	TOLERANCES UNLESS OTHERWISE SPECIFIED	S.P.D.T. (MOM-OFF-ON)
	2 Place Decimal ±.010 METRIC	1.125 x .550 PANEL
	3 Place Decimal ±.005	1 Place Dec. ±.25mm
	Angles ±1'	2 Place Dec. ±.13mm
Made for: CW IND.	Division: SWITCH	
Drawn by: DGW 7-28-2010	Dwg. No.	
Checked by: <i>G. Gold 8-16-10</i>	GRS-2013B-XXXX	
Approval: <i>Edward J. ... 8-10-10</i>		

MASTER