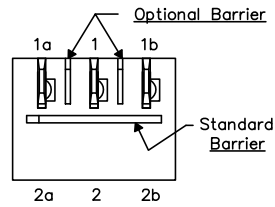


THIS INFORMATION IS CONFIDENTIAL AND PROPRIETARY TO CW INDUSTRIES INCORPORATED AND ITS AFFILIATES. IT MAY NOT BE DISCLOSED TO ANYONE OTHER THAN CW INDUSTRIES PERSONNEL WITHOUT WRITTEN AUTHORIZATION FROM CW INDUSTRIES INCORPORATED, SOUTHAMPTON, PENNSYLVANIA USA.

F
D
C
B
A

DIMENSIONS IN INCHES (MILLIMETERS)
DO NOT SCALE DRAWING Dwg. No.
GRS-4012A-XXXX

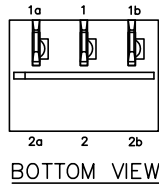
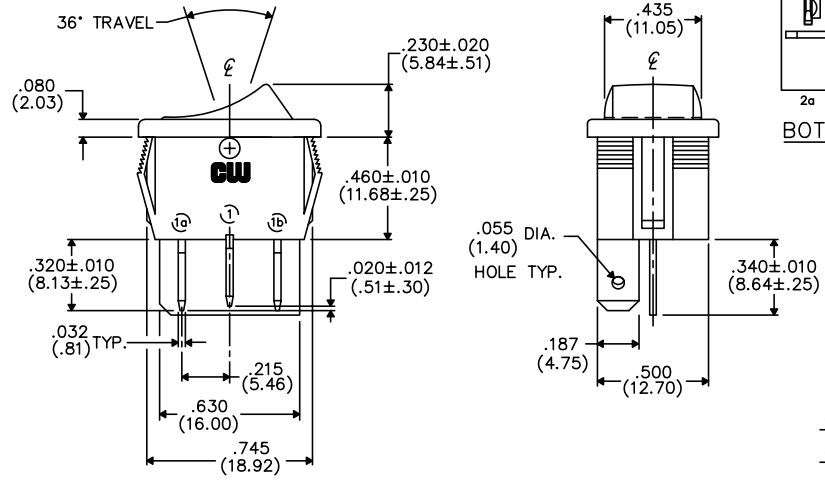
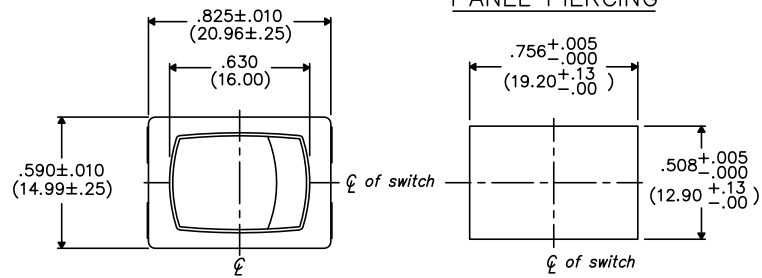
OPTIONAL INSULATING BARRIER



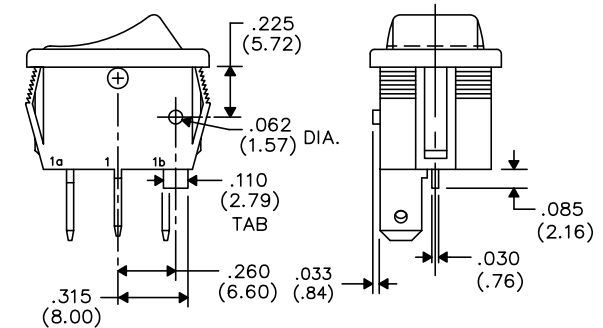
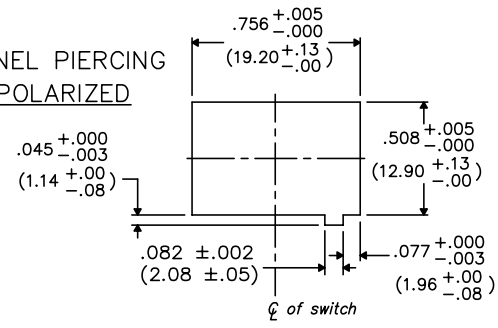
MOUNTING PANEL THICKNESS

Standard—.050" (1.27mm) to .150" (3.81mm).
Optional Mounting Claws for Custom Panel thickness are available.

PANEL PIERCING



PANEL PIERCING POLARIZED



TERMINAL OPTIONS:

- .187" (4.75mm) x .032" (.81mm) Solderless
- .110" (2.79mm) x .032" (.81mm) Solderless
- .187" (4.75mm) x .020" (.51mm) Solderless
- .110" (2.79mm) wide with .048" (1.22mm) x .237" (6.02mm) Slot for Soldering

1 2 3 4 5 6 7 8 9 10

| | | |
|---------------|-----------|--|
| B-FORMAT 2002 | REVISIONS | |
| | | |

| | | |
|---------------|-------------------------------------------------------------------------------------------------------------------|--------------------------------------------------------|
| PDF FILE MADE | CW INDUSTRIES Southampton, Pa. 18966 | Title: ROCKER SWITCH ASSEMBLY S.P./D.T. MOM. |
| | TOLERANCES UNLESS OTHERWISE SPECIFIED | Division: SWITCH |
| | 2 Place Decimal ±.010 METRIC 3 Place Decimal ±.005 1 Place Dec. ±.25mm Angles ±1' 2 Place Dec. ±.13mm | Dwg. No. GRS-4012A-XXXX |
| | Made for: CW IND. | |
| | Drawn by: DGW 10-28-2010 | |
| Checked by: | | |
| Approval: | | |