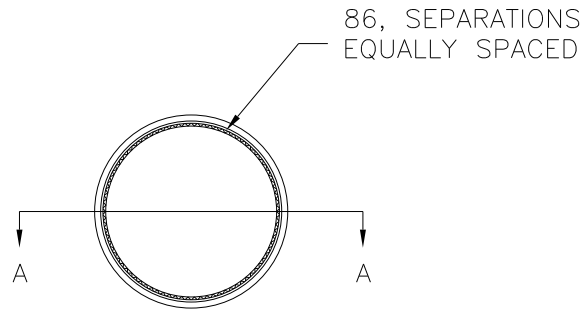


PART NAME: KNOB SCALE: 1:1 DATE: 7/14/50 DR. BY JWC

THIS DRAWING IS THE PROPERTY OF DAVIES MOLDING COMPANY, IS SUBMITTED SOLELY AS A DESIGN OR ENGINEERING PROJECT. WE ACCEPT NO RESPONSIBILITY WHATSOEVER FOR THE PRACTICAL APPLICATION OF THE PIECES MADE TO THIS DESIGN.

DAVIES MOLDING COMPANY
CAROL STREAM, ILLINOIS 60188

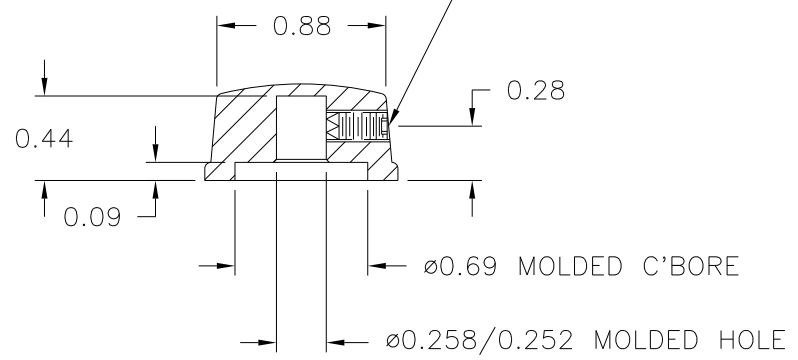
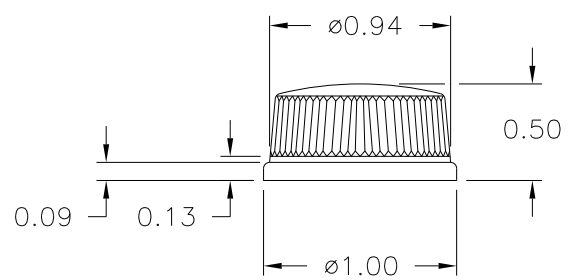
P/N 1475
BASE PART 1475-05
SET SCREW I0358



(A)

SECTION A-A

USE #28 DRILL ($\phi 0.140$), #8-32 TAP,
#8-32 X 5/16 LG. HEADLESS, CUP POINTED,
SLOTTED TYPE SET SCREW, I0358.



MATERIAL: G.P. PHENOLIC (B11)
COLOR: BLACK

TOLERANCES: UNLESS OTHERWISE SPECIFIED	DO NOT SCALE DRAWING	-	UPDATED/HAD TOOLBOX	ST	2/13/01
DECIMALS: X.XXX \pm .005 X.XX \pm .015	MM: X.XX \pm 0.15MM X.X \pm 0.4MM	-	CAD/REDRAWN	HD	2/22/93
FRACTIONS \pm 1/64	ANG. \pm 1°	A	WAS I0328	LSP	3/25/57
CHANGES					