

|  |          |   |          |          |
|--|----------|---|----------|----------|
| <b>PROPRIETARY INFORMATION:</b><br>PROPRIETARY OF GLOBTEK, INC. ANY REPRODUCTION, DISCLOSURE OR USE OF THIS DRAWING, IN WHOLE OR IN PART, IS HEREBY PROHIBITED EXCEPT AS SPECIFIED IN WRITING BY GLOBTEK, INC. | REVISION |   |          |          |
|  | REV      | DESCRIPTION   | DATE     | APPROVED |
|  | A        | INITIAL RELEASE, RFS. 22265, EM                     | 01/23/12 | HM       |
|  | B        | UPDATE O/P CORD FERRITE WITH 1 TURN, RFS. 22837, EM | 04/25/12 | HM       |

**IMPLEMENT ALL CHANGES DESCRIBED IN ECN.NO 3117 IN THIS MODEL.**



All models under this series are Certified to be in compliance with all the applicable requirements of UL60601-1 2nd Edition, CSA 22.2 No.601.1-M90 and EN 60601-1:A2. Globtek's Medical power supplies are designed to be used in applications that do not connect the output to Patient Circuits directly. The power supply can be used in systems with patient applied parts only when appropriate system level isolation is provided by the end user.

**1. NOTES:**

DIMENSIONS ARE IN MM UNLESS SPECIFIED OTHERWISE.



**2. ELECTRICAL SPECIFICATIONS:**

|                                       |  |
|---------------------------------------|--|
| INPUT VOLTAGE:                        | 90 VAC TO 264 VAC  |
| INPUT CURRENT:                        | < 2.0 A RMS AT 90 VAC INPUT  |
| INPUT FREQUENCY:                      | 47 HZ - 63 HZ  |
| OUTPUT VOLTAGE :                      | 24VDC  |
| OUTPUT CURRENT :                      | 2.5A, NO MINIMUM LOAD REQUIRED TO MAINTAIN OUTPUT VOLTAGE REGULATION   |
| OUTPUT POWER (RATED):                 | 60 WATTS MAX   |
| SWITCHING FREQUENCY                   |  |
| OUTPUT RIPPLE VOLTAGE (PEAK TO PEAK): | +/-1% OR 50 mV WHICHEVER IS GREATER AT NOMINAL OUTPUT VOLTAGE. MEASURED AT 20 MHz BANDWIDTH WITH 0.1µf CERAMIC CAPACITOR IN PARALLEL WITH 10 µf ELECTROLYTIC CAPACITOR CONNECTED AT THE END OF THE OUTPUT CONNECTOR. |
| OUTPUT VOLTAGE REGULATION:            | ± 5 % FOR MAIN OUTPUT, MEASURED AT O/P CONNECTOR   |
| LINE REGULATION:                      | ± 1 % MAX AT FULL LOAD, MEASURED AT O/P CONNECTOR  |
| TURN ON/ TURN OFF OVERSHOOT:          | ± 5 % MAX 500µs MAX RECOVERY TIME FOR 25% STEP LOAD  |
| HOLD-UP TIME:                         | 8.0 mSEC MIN AT NOMINAL INPUT AND FULL LOAD  |
| OUTPUT RISE TIME:                     | < 35 mS  |
| TURN ON TIME:                         | < 3 S @ 115 V  |
| INRUSH CURRENT:                       | 40 A MAX AT COLD START FOR N.A. (50A FOR EURO)   |
| EFFICIENCY:                           | 80 % @120 VAC, FULL LOAD, TYPICAL  |
| SWITCHING FREQUENCY:                  | 100 KHZ TYPICAL  |
| OVER-VOLTAGE PROTECTION:              | PROTECTED, HICCUP WITH AUTO RECOVERY, UPON REMOVAL OF FAULT  |
| OVER-CURRENT / SHORT CIRCUIT:         | PROTECTED, HICCUP WITH AUTO RECOVERY, UPON REMOVAL OF FAULT  |
| OTHER PROTECTION:                     | INPUT LINE AND NEUTRAL FUSING  |
| NO LOAD POWER CONSUMPTION:            | < 1.0 W @ 230Vac   |
| SAFETY APPROVALS :                    | UL60601-1, CUL TO 22.2# 601, DEMKO TO EN60601, CE CLASS I  |
| DIELECTRIC WITHSTAND VOLTAGE:         | 5656 VDC PRIMARY-SECONDARY;2121 VDC PRIMARY- GROUND  |
| LEAKAGE CURRENT:                      | ≤ 250 µA AT 240 VAC INPUT  |
| EMI:                                  | COMPLIES WITH EN55011 , CLASS B AND FCC PART 15 CLASS B WHEN TESTED WITH A RESISTIVE LOAD, BOTH CONDUCTED AND RADIATED EMI   |
| CE MARK:                              | TESTED TO COMPLY WITH EN61000-3-2 EN61000-3-3, AND EN50082-1, INCLUDING EN61000-4-2, EN61000-4-3, EN61000-4-4, EN61000-4-5, EN61000-4-6, EN61000-4-11, EN 60601-1-2-2001.  |
| MTBF:                                 | 200,000 HOURS AT 25°C AMBIENT TEMPERATURE, FULL LOAD 230 VAC INPUT   |
| OPERATING TEMPERATURE:                | 0°C TO 40° C   |
| STORAGE TEMPERATURE:                  | -40°C TO 80° C   |
| ALTITUDE:                             | 10,000' (OPERATING), 40,000' (NON-OPERATING)   |
| HUMIDITY:                             | 0% TO 90% RELATIVE HUMIDITY  |
| WEIGHT:                               | 405 g  |
| ROHS:                                 | COMPLIES WITH EU 2002/95/EC AND CHINA SJ/T 11363-2006  |

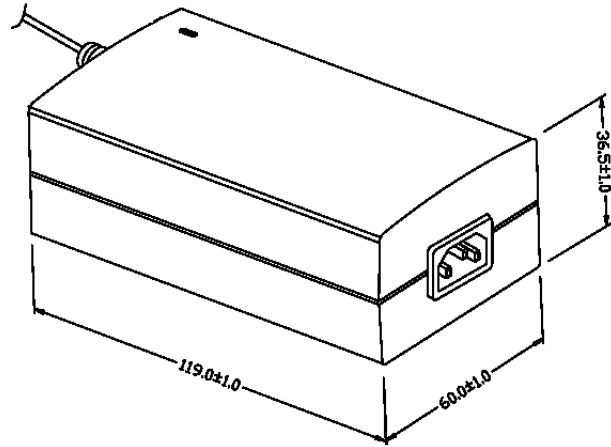
|  |                  |                         |                  |   |  |  |  |
|--|------------------|-------------------------|------------------|---|--|--|--|
| Foot Note:<br>Globtek Inc. will not be liable for the safety and performance of these power supplies if unauthorized access and repair occurs. End user should consult applicable UL, CSA or EN standards for proper installation instructions | <b>C</b>         | PART NO                 | REV.             | DESCRIPTION   | NOTES  |  |  |
|  |                  | <b>TABULATION BLOCK</b> |                  |   |  |  |  |
|  |                  |                         |                  | <b>TOLERANCES:</b><br>DECIMALS    ANGULAR<br>.xx +/- 0.1    +/- 1°<br>.xxx +/- .005 | <b>186 Veterans Dr. Northvale, NJ 07647</b><br><b>Tel. 201-784-1000 Fax 201.784.0111</b><br><b>www.globtek.com</b> |  |  |
|  |                  | INIT.BY:EM              | DATE:<br>12/1/11 | MILLIMETERS    ANGULAR<br>.xx +/- 0.3    +/- 1°<br>.xxx +/- .013                    |  |  |  |
| DRAWN: NF  | DATE:<br>12/1/11 | FSCN No.:               | SIZE             | MODEL NO: GTMB1057-6024   | REV.<br>B  |  |  |
| Contents of this document are subject to change without prior notice   |                  | APRVD : HM              | DATE:<br>12/1/11 | SCALE: NONE   | PART NO: <b>TR9CI2500A04-C-MEDR</b><br>SHEET 1 OF 4  |  |  |

**PROPRIETARY INFORMATION:**

PROPRIETARY OF GLOBTEK, INC. ANY REPRODUCTION, DISCLOSURE OR USE OF THIS DRAWING, IN WHOLE OR IN PART, IS HEREBY PROHIBITED EXCEPT AS SPECIFIED IN WRITING BY GLOBTEK, INC.

**3. ENCLOSURE**

UPPER HOUSING: HIGH IMPACT PLASTIC, 94V0 POLYCARBONATE, NON-VENTED, COLOR BLACK  
LOWER HOUSING: HIGH IMPACT PLASTIC 94V0 POLYCARBONATE, NON- VENTED, COLOR BLACK  
SIZE: 120.0 X 60.5 X 36.5 ± 1 mm



**4. INDICATOR:** GREEN LED, OUTPUT PRESENT

**5. INPUT CONNECTOR:**

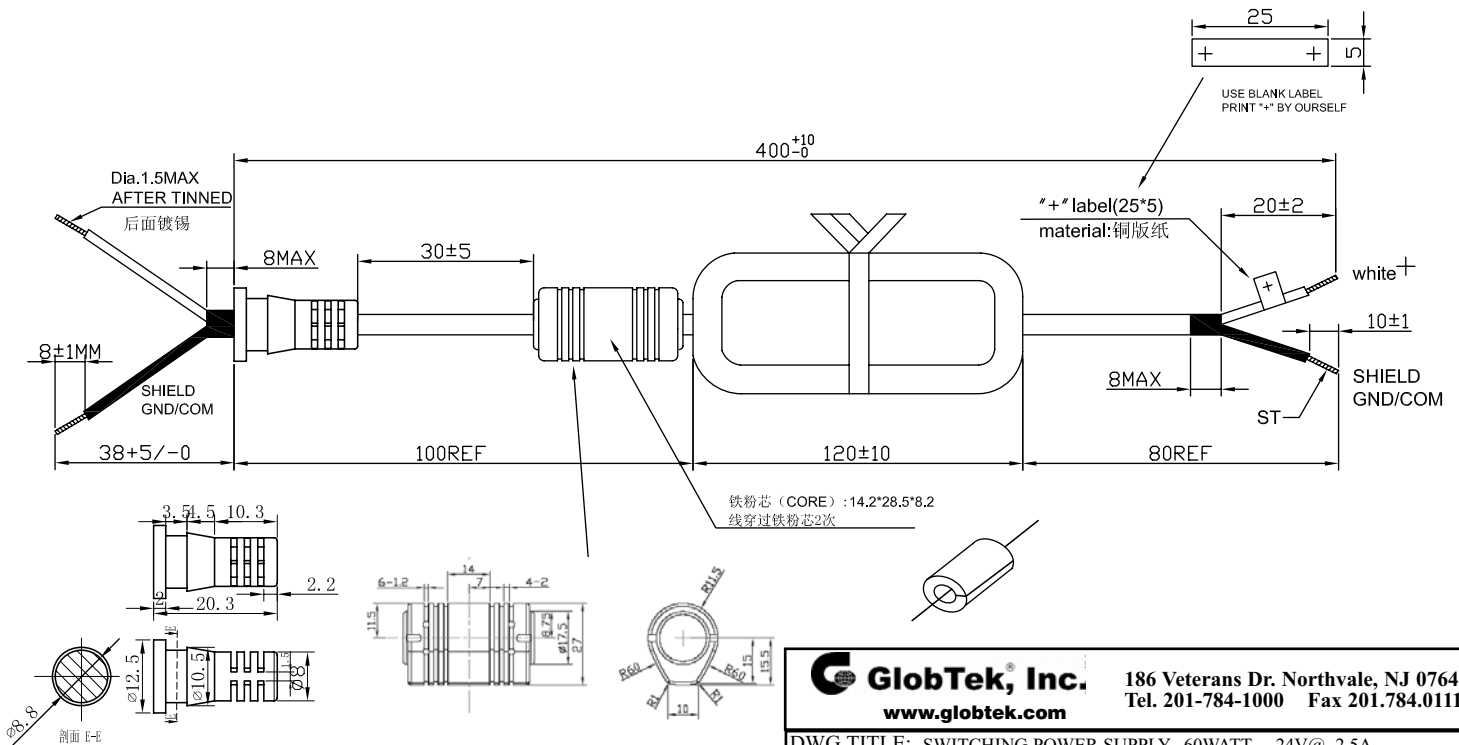
CONFIGURATION: CLASS 1 MODEL IEC320 / C14, AC POWER INLET WITH 3 MALE PRONGS

**6. OUTPUT CORD:**

1 CONDUCTOR+SHIELD, 18AWG STRANDED WIRE, UL 1185, ROUND CORD TYPE , COLOR BLACK, LENGTH OF CORD: 400+10, -0 mm.  
CORD IS MEASURED FROM THE HOUSING TO THE END OF OVERMOLD OF THE CONNECTOR.  
CABLE IS TO BE MARKED WITH WIRE GAUGES, AND ALL APPLICABLE RATING AND SAFETY APPROVALS.  
**CABLE HAS MOLDED WITH FERRITE WITH 1 TURN CUSTOM CORDSET AVAILABLE.**

**7. OUTPUT CONNECTOR:**

STRIP 20 mm AND TIN 10 mm

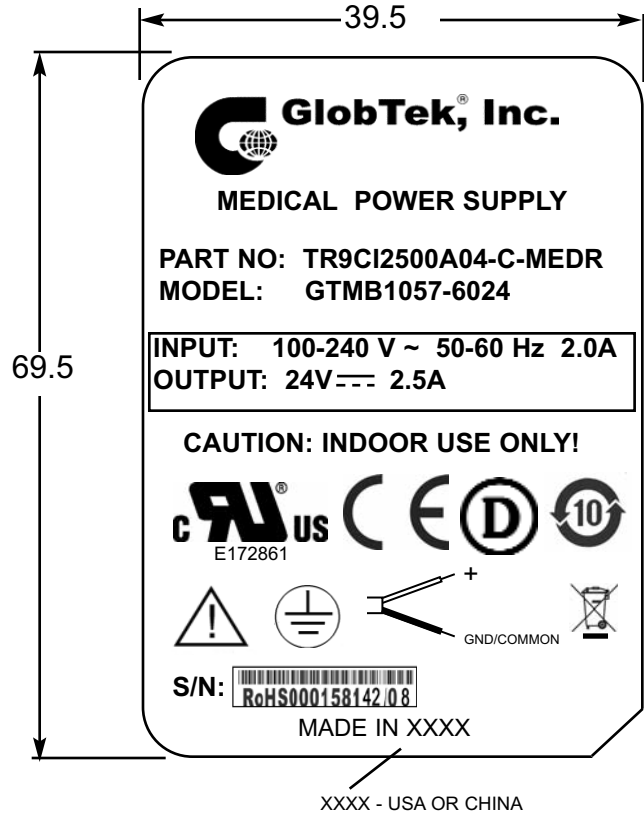


|  |  |  |
|--|--|--|
|  <b>GlobTek, Inc.</b><br>www.globtek.com |  | 186 Veterans Dr. Northvale, NJ 07647<br>Tel. 201-784-1000 Fax 201.784.0111 |
| DWG TITLE: SWITCHING POWER SUPPLY, 60WATT, 24V@ 2.5A<br>SINGLE OUTPUT, FAMILY DESKTOP, UNIVERSAL INPUT, MEDICAL , CLASS I    |  |  |
| MODEL NO: GTMB1057-6024  |  | REV.<br>B  |
| PART NO: TR9CI2500A04-C-MEDR   |  | SHEET 2 OF 4   |

**PROPRIETARY INFORMATION:**  
 PROPRIETARY OF GLOBTEK, INC. ANY REPRODUCTION, DISCLOSURE OR  
 USE OF THIS DRAWING, IN WHOLE OR IN PART, IS HEREBY  
 PROHIBITED EXCEPT AS SPECIFIED IN WRITING BY GLOBTEK, INC.

**8. LABEL:**

MATERIAL: .007 (0.18) THICK FLAT THERMAL TRANSFER, IMPRINTABLE, BLACK POLYESTER SHEET WITH WHITE NOMENCLATURE.  
 MANUFACTURER: STEVEN LABEL, MATERIAL I.D. NO.3302-33, UL FILE NO. MH12821(N), UL MATERIAL  
 DESIGNATION FILE NO. GHW332RL. OPTIONAL LABEL MATERIAL CAN BE SUBSTITUTED PROVIDING  
 MATERIAL IS UL LISTED AND COMPLIES WITH APPLICABLE SAFETY REQUIREMENTS.



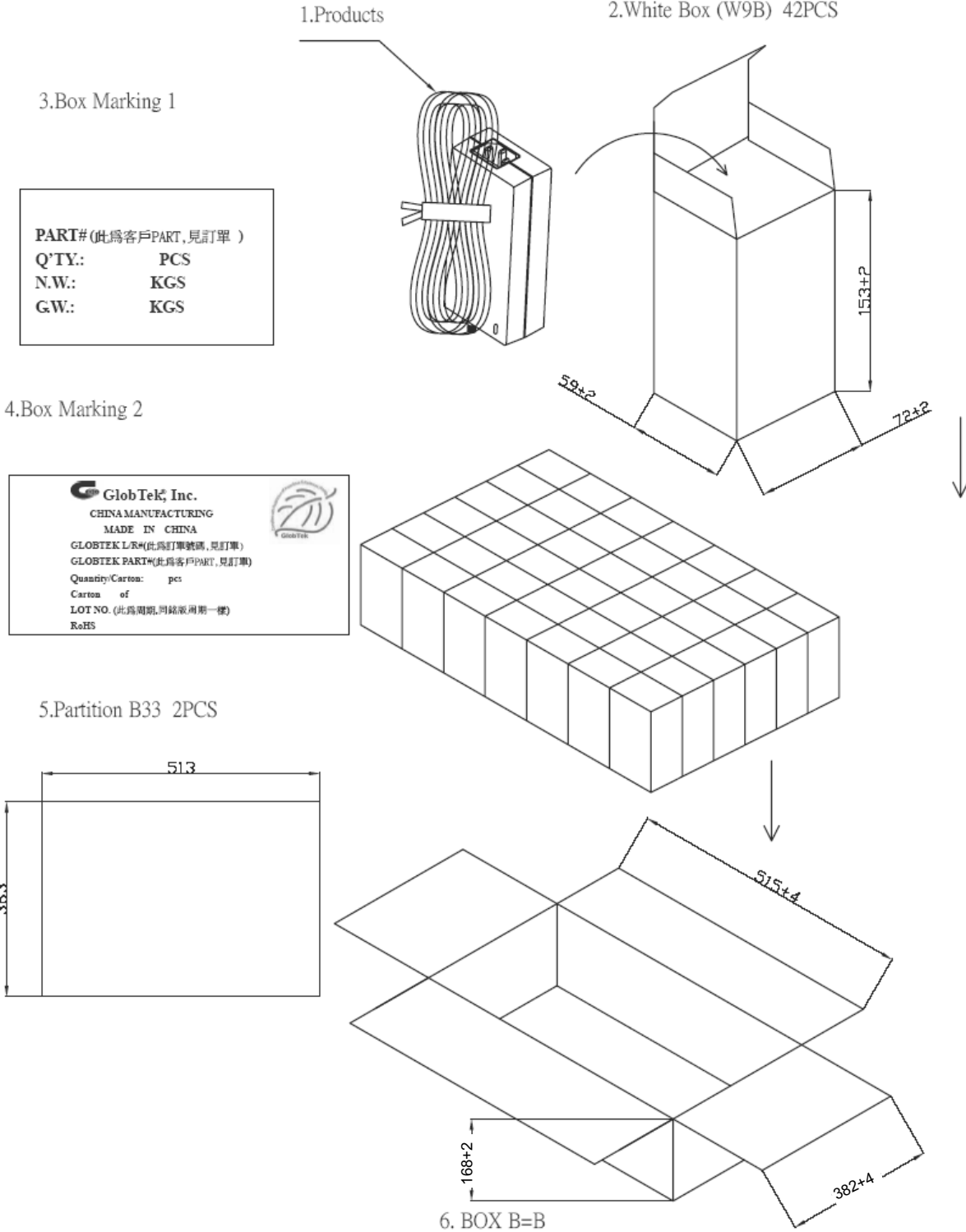
**ACTUAL POSITIONING OF SYMBOLS AND TEXT IS SUBJECT TO CHANGE AT TIME OF MANUFACTURE**

|   |  |  |
|---|--|--|
|  <b>GlobTek, Inc.</b><br>www.globtek.com |  | 186 Veterans Dr. Northvale, NJ 07647<br>Tel. 201-784-1000 Fax 201.784.0111 |
| DWG TITLE: SWITCHING POWER SUPPLY, 60WATT, 24V@ 2.5A<br>SINGLE OUTPUT, FAMILY DESKTOP, UNIVERSAL INPUT, MEDICAL , CLASS I   |  |  |
| MODEL NO: GTMB1057-6024   |  | REV.<br>B  |
| PART NO: TR9CI2500A04-C-MEDR  |  | SHEET 3 OF 4   |

**PROPRIETARY INFORMATION:**  
 PROPRIETARY OF GLOBTEK, INC. ANY REPRODUCTION, DISCLOSURE OR USE OF THIS DRAWING, IN WHOLE OR IN PART, IS HEREBY PROHIBITED EXCEPT AS SPECIFIED IN WRITING BY GLOBTEK, INC.

**9. PACKING :**

MATERIAL: CORRUGATED FIBERBOARD, F-FLUTE 0.8 (2.0) THICK, DOUBLE WALL CONSTRUCTION.  
 EXTERNAL FINISH: WHITE, COATED WITH GLOSS FINISH (AQUEOUS OR VARNISH) STYLE: TUCK SIDES WITH LOCKING TABS ON BOTH SIDES OF BOX. NO PRINTING ON THE OUTSIDE OF BOX.



|   |  |  |
|---|--|--|
|  <b>GlobTek, Inc.</b><br><a href="http://www.globtek.com">www.globtek.com</a> |  | 186 Veterans Dr. Northvale, NJ 07647<br>Tel. 201-784-1000 Fax 201.784.0111 |
| DWG TITLE: SWITCHING POWER SUPPLY, 60WATT, 24V@ 2.5A<br>SINGLE OUTPUT, FAMILY DESKTOP, UNIVERSAL INPUT, MEDICAL , CLASS I   |  |  |
| MODEL NO: GTMB1057-6024   |  | REV.<br>B  |
| PART NO: <b>TR9CI2500A04-C-MEDR</b>   |  | SHEET 4 OF 4   |