

5

4

3

2

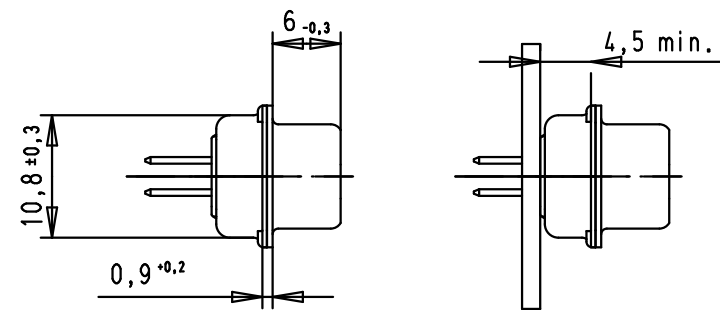
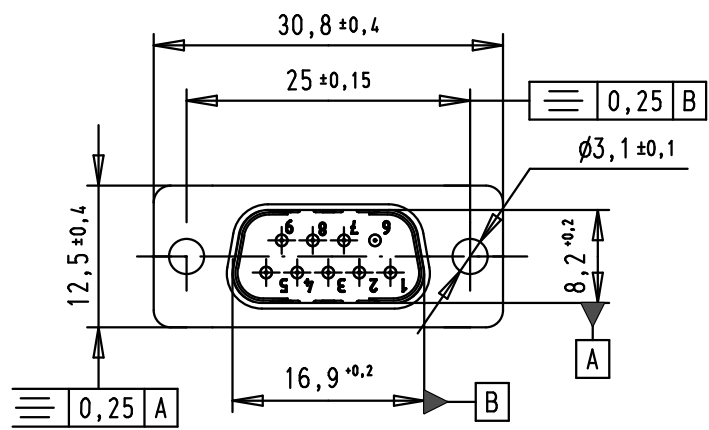
1

D

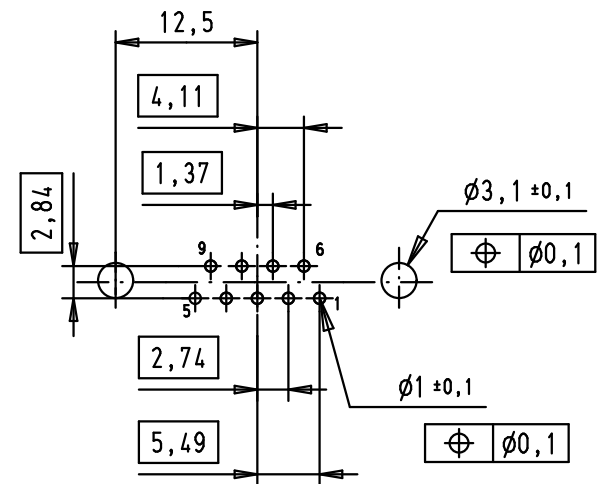
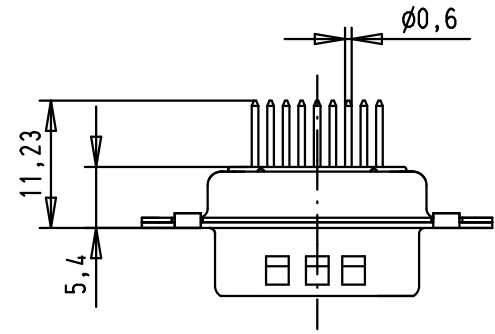
C

B

A



PCB Layout, Component side




SPECIFICATION

Performance level	PL2
Filter type	C
Capacitance	47pf±20%
Working Voltage	100V
Current rating	7.5 A
Insulation Resistance	>1GΩ

Minimum Insertion Loss

FREQUENCY (MHz)	ATTENUATION dB
5	-
10	-
50	-
100	-
500	30dB
1000	35dB

				Dat.	Name	 All Dim. in mm Orig. Size DIN A 4
			Detail.	8-JUL-02	CV	
			Insp.	09/12/11	JB	
			Stand.			
36283	09/12/11	SD				
32802	11/07/05	JMDR				
31058	8-JUL-02	CV				
Mod.	Dat.	Name	HARTING EURL F-95972 Paris			

D-Sub, male, straight,  
9 Poles, with turned  
solder pin, fixing hole

Ma?Mstab/  
Scale

1.5:1

TB 09641227210

Blatt/ Page

1 / 1

Sub.