

## Linear Building Block – Quad Low Power Comparator and Voltage Reference

### Features

- Combines Four Comparators and a Voltage Reference in a Single Package
- Optimized for Single Supply Operation
- Small Package: 16-Pin SOIC, 16-Pin QSOP or 16-Pin PDIP (Narrow)
- Ultra Low Input Bias Current: Less than 100pA
- Low Quiescent Current: 18μA (Typ.)
- Operates Down to  $V_{DD} = 1.8V$  Min

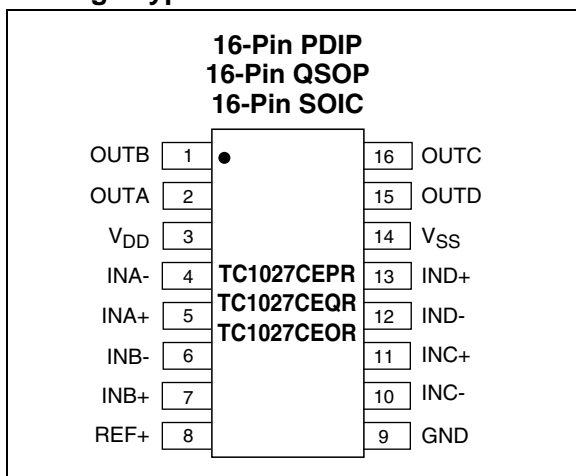
### Applications

- Power Management Circuits
- Battery Operated Equipment
- Consumer Products

### Device Selection Table

Part Number	Package	Temperature Range
TC1027CEPR	16-Pin PDIP	-40°C to +85°C
TC1027CEQR	16-Pin QSOP	-40°C to +85°C
TC1027CEOR	16-Pin SOIC	-40°C to +85°C

### Package Types



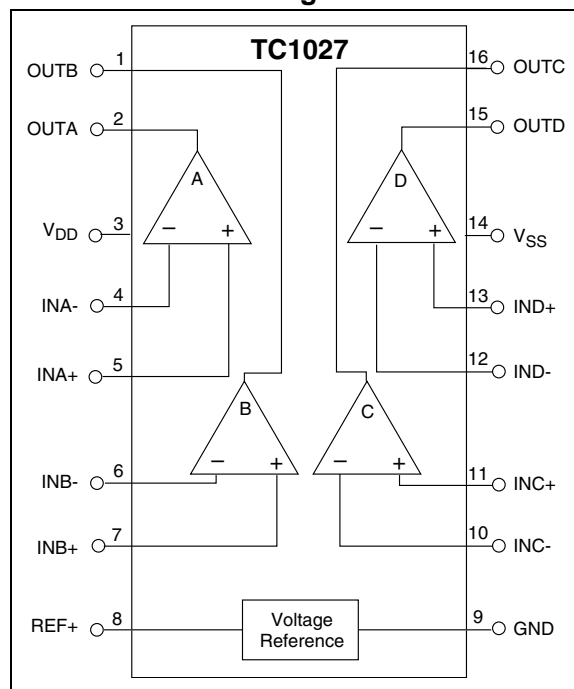
### General Description

The TC1027 is a mixed-function device combining four general purpose comparators and a voltage reference in a single 16-pin package. This increased integration allows the user to replace two packages, which saves space, lowers supply current, and increases system performance.

The TC1027 is optimized for low supply voltage and very low supply current operation (18μA typ), making it ideal for battery-operated applications. The comparators have rail-to-rail inputs and outputs which allows operation from low supply voltages with large input and output signal swings.

Packaged in a 16-Pin QSOP, 16-Pin SOIC (0.150 wide) or 16-Pin PDIP, the TC1027 is ideal for applications requiring high integration, small size and low power.

### Functional Block Diagram



# TC1027

## 1.0 ELECTRICAL CHARACTERISTICS

### ABSOLUTE MAXIMUM RATINGS\*

Supply Voltage .....	6.0V
Voltage on Any Pin .....	( $V_{SS} - 0.3V$ ) to ( $V_{DD} + 0.3V$ )
Junction Temperature.....	+150°C
Operating Temperature Range.....	-40°C to +85°C
Storage Temperature Range .....	-55°C to +150°C

\*Stresses above those listed under "Absolute Maximum Ratings" may cause permanent damage to the device. These are stress ratings only and functional operation of the device at these or any other conditions above those indicated in the operation sections of the specifications is not implied. Exposure to Absolute Maximum Rating conditions for extended periods may affect device reliability.

### TC1027 ELECTRICAL SPECIFICATIONS

Electrical Characteristics: Typical values apply at 25°C and $V_{DD} = 3.0V$ . Minimum and maximum values apply for $T_A = -40^\circ$ to +85°C, and $V_{DD} = 1.8V$ to 5.5V, unless otherwise specified.						
Symbol	Parameter	Min	Typ	Max	Units	Test Conditions
$V_{DD}$	Supply Voltage	1.8	—	5.5	V	
$I_Q$	Supply Current	—	18	26	$\mu A$	All outputs unloaded
<b>Comparator</b>						
$V_{ICMR}$	Common Mode Input Voltage Range	$V_{SS} - 0.2$	—	$V_{DD} + 0.2$	V	
$V_{OS}$	Input Offset Voltage	-5 -5	—	+5 +5	mV mV	$V_{DD} = 3V, V_{CM} = 1.5V, T_A = 25^\circ C$ $T_A = -40^\circ C$ to $85^\circ C$
$I_B$	Input Bias Current	—	—	$\pm 100$	pA	$T_A = 25^\circ C, IN+, IN- = V_{DD}$ to $V_{SS}$
$V_{OH}$	Output High Voltage	$V_{DD} - 0.3$	—	—	V	$R_L = 10k\Omega$ to $V_{SS}$
$V_{OL}$	Output Low Voltage	—	—	0.3	V	$R_L = 10k\Omega$ to $V_{DD}$
CMRR	Common Mode Rejection Ratio	66	—	—	dB	$T_A = 25^\circ C, V_{DD} = 5V$ $V_{CM} = V_{DD}$ to $V_{SS}$
PSRR	Power Supply Rejection Ratio	60	—	—	dB	$T_A = 25^\circ C, V_{CM} = 1.2V$ $V_{DD} = 1.8V$ to $5V$
$I_{SRC}$	Output Source Current	1	—	—	mA	$IN+ = V_{DD}, IN- = V_{SS}$ , Output Shorted to $V_{SS}$ $V_{DD} = 1.8V$
$I_{SINK}$	Output Sink Current	2	—	—	mA	$IN+ = V_{SS}, IN- = V_{DD}$ , Output Shorted to $V_{DD}$ $V_{DD} = 1.8V$
$t_{PD1}$	Response Time	—	4	—	$\mu sec$	100mV Overdrive, $C_L = 100pF$
$t_{PD2}$	Response Time	—	6	—	$\mu sec$	10mV Overdrive, $C_L = 100pF$
<b>Voltage Reference</b>						
$V_{REF}$	Reference Voltage	1.176	1.200	1.224	V	
$I_{REF(SOURCE)}$	Source Current	50	—	—	$\mu A$	
$I_{REF(SINK)}$	Sink Current	50	—	—	$\mu A$	
$C_{L(REF)}$	Load Capacitance	—	—	100	PF	
$E_{VREF}$	Noise Voltage	—	20	—	$\mu V_{RMS}$	100Hz to 100kHz
$e_{VREF}$	Noise Voltage Density	—	1.0	—	$\mu V/\sqrt{Hz}$	1kHz

## 2.0 PIN DESCRIPTION

The description of the pins are listed in Table 2-1.

**TABLE 2-1: PIN FUNCTION TABLE**

Pin No. (16-Pin PDIP) (16-Pin QSOP) (16-Pin SOIC)	Symbol	Description
1	OUTB	Comparator output.
2	OUTA	Comparator output.
3	V <sub>DD</sub>	Positive power supply.
4	INA-	Inverting comparator input.
5	INA+	Non-Inverting comparator input.
6	INB-	Inverting comparator input.
7	INB+	Non-Inverting comparator input.
8	REF+	Voltage reference output voltage.
9	GND	Voltage reference ground; must be tied to V <sub>SS</sub> .
10	INC-	Inverting comparator input.
11	INC+	Non-Inverting comparator input.
12	IND-	Inverting comparator input.
13	IND+	Non-Inverting comparator input.
14	V <sub>SS</sub>	Negative power supply.
15	OUTD	Comparator output.
16	OUTC	Comparator output.

## 3.0 DETAILED DESCRIPTION

The TC1027 is one of a series of very low-power, linear building block products targeted at low-voltage, single-supply applications. The TC1027 minimum operating voltage is 1.8V, and typical supply current is only 18μA. It combines four comparators and a voltage reference in a single package.

### 3.1 Comparators

The TC1027 contains four comparators. The comparator's input range extends beyond both supply voltages by 200mV and the outputs will swing to within several millivolts of the supplies depending on the load current being driven.

The comparators exhibit propagation delay and supply current which are largely independent of supply voltage. The low input bias current and offset voltage make them suitable for high impedance precision applications.

### 3.2 Voltage Reference

A 2.0% tolerance, internally biased, 1.20V bandgap voltage reference is included in the TC1027. It has a push pull output capable of sourcing and sinking at least 50μA.

GND (Pin 9) is connected to V<sub>SS</sub> (Pin 14) through the substrate of the integrated circuit. Large currents can flow between GND and V<sub>SS</sub> if the pins are not at the same voltage.

## 4.0 TYPICAL APPLICATIONS

The TC1027 lends itself to a wide variety of applications, particularly in battery-powered systems. It typically finds application in power management, processor supervisory and interface circuitry.

### 4.1 External Hysteresis (Comparator)

Hysteresis can be set externally with two resistors using positive feedback techniques (see Figure 4-1). The design procedure for setting external comparator hysteresis is as follows:

1. Choose the feedback resistor R<sub>C</sub>. Since the input bias current of the comparator is at most 100pA, the current through R<sub>C</sub> can be set to 100nA (i.e., 1000 times the input bias current) and retain excellent accuracy. The current through R<sub>C</sub> at the comparator's trip point is V<sub>R</sub>/R<sub>C</sub> where V<sub>R</sub> is a stable reference voltage.
2. Determine the hysteresis voltage (V<sub>HY</sub>) between the upper and lower thresholds.
3. Calculate R<sub>A</sub> as follows:

#### EQUATION 4-1:

$$R_A = R_C \left( \frac{V_{HY}}{V_{DD}} \right)$$

4. Choose the rising threshold voltage for V<sub>SRC</sub> (V<sub>THR</sub>).
5. Calculate R<sub>B</sub> as follows:

#### EQUATION 4-2:

$$R_B = \frac{1}{\left[ \left( \frac{V_{THR}}{V_R \times R_A} \right) - \frac{1}{R_A} - \frac{1}{R_C} \right]}$$

6. Verify the threshold voltages with these formulas:

V<sub>SRC</sub> rising:

#### EQUATION 4-3:

$$V_{THR} = (V_R)(R_A) \left[ \left( \frac{1}{R_A} \right) + \left( \frac{1}{R_B} \right) + \left( \frac{1}{R_C} \right) \right]$$

V<sub>SRC</sub> falling:

#### EQUATION 4-4:

$$V_{THF} = V_{THR} - \left[ \left( \frac{R_A \times V_{DD}}{R_C} \right) \right]$$

## 4.2 Precision Battery Monitor

Figure 4-2 is a precision battery low/battery dead monitoring circuit. Typically, the battery low output warns the user that a battery dead condition is imminent. Battery dead typically initiates a forced shutdown to prevent operation at low internal supply voltages (which can cause unstable system operation).

The circuit of Figure 4-2 uses a single TC1027, one additional op amp, and only six external resistors. AMP 1 is a simple buffer while CMPTR1 and CMPTR2 provide precision voltage detection using  $V_R$  as a reference. Resistors R2 and R4 set the detection threshold for **BATT LOW** while resistors R1 and R3 set the detection threshold for **BATT FAIL**. The component values shown assert **BATT LOW** at 2.2V (typical) and **BATT FAIL** at 2.0V (typical). Total current consumed by this circuit is typically 24 $\mu$ A at 3V. Resistors R5 and R6 provide hysteresis for comparators CMPTR1 and CMPTR2, respectively.

## 4.3 32.768 kHz “Time of Day Clock” Crystal Controlled Oscillator

A very stable oscillator driver can be designed by using a crystal resonator as the feedback element. Figure 4-3 shows a typical application circuit using this technique to develop clock driver for a Time Of Day (TOD) clock chip. The value of  $R_A$  and  $R_B$  determine the DC voltage level at which the comparator trips – in this case one-half of  $V_{DD}$ . The RC time constant of  $R_C$  and  $C_A$  should be set several times greater than the crystal oscillator's period, which will ensure a 50% duty cycle by maintaining a DC voltage at the inverting comparator input equal to the absolute average value of the output signal.

## 4.4 Non-Retriggerable One Shot Multivibrator

Using two comparators, a non-retriggerable one shot multivibrator can be designed using the circuit configuration of Figure 4-4. A key feature of this design is that the pulse width is independent of the magnitude of the supply voltage because the charging voltage and the intercept voltage are a fixed percentage of  $V_{DD}$ . In addition, this one shot is capable of pulse width with as much as a 99% duty cycle and exhibits input lockout to ensure that the circuit will not retrigger before the output pulse has completely timed out. The trigger level is the voltage required at the input to raise the voltage at node A higher than the voltage at node B, and is set by the resistive divider R4 and R10 and the impedance network composed of R1, R2 and R3. When the one shot has been triggered, the output of CMPTR2 is high, causing the reference voltage at the non-inverting input of CMPTR1 to go to  $V_{DD}$ . This prevents any additional input pulses from disturbing the circuit until the output pulse has timed out.

The value of the timing capacitor C1 must be small enough to allow CMPTR1 to discharge C1 to a diode voltage before the feedback signal from CMPTR2 (through R10) switches CMPTR1 to its high state and allows C1 to start an exponential charge through R5. Proper circuit action depends upon rapidly discharging C1 through the voltage set by R6, R9 and D2 to a final voltage of a small diode drop. Two propagation delays after the voltage on C1 drops below the level on the non-inverting input of CMPTR2, the output of CMPTR1 switches to the positive rail and begins to charge C1 through R5. The time delay which sets the output pulse width results from C1 charging to the reference voltage set by R6, R9 and D2, plus four comparator propagation delays. When the voltage across C1 charges beyond the reference, the output pulse returns to ground and the input is again ready to accept a trigger signal.

## 4.5 Oscillators and Pulse Width Modulators

Microchip's linear building block comparators adapt well to oscillator applications for low frequencies (less than 100kHz). Figure 4-5 shows a symmetrical square wave generator using a minimum number of components. The output is set by the RC time constant of R4 and C1, and the total hysteresis of the loop is set by R1, R2 and R3. The maximum frequency of the oscillator is limited only by the large signal propagation delay of the comparator in addition to any capacitive loading at the output which degrades the slew rate. To analyze this circuit, assume that the output is initially high. For this to occur, the voltage at the inverting input must be less than the voltage at the non-inverting input. Therefore, capacitor C1 is discharged. The voltage at the non-inverting input ( $V_H$ ) is:

### EQUATION 4-5:

$$V_H = \frac{R2(V_{DD})}{[R2 + (R1 \parallel R3)]}$$

where, if  $R1 = R2 = R3$ , then:

### EQUATION 4-6:

$$V_H = \frac{2(V_{DD})}{3}$$

# TC1027

Capacitor C1 will charge up through R4. When the voltage at the comparator's inverting input is equal to  $V_H$ , the comparator output will switch. With the output at ground potential, the value at the non-inverting input terminal ( $V_L$ ) is reduced by the hysteresis network to a value given by:

**EQUATION 4-7:**

$$V_L = \frac{V_{DD}}{3}$$

Using the same resistors as before, capacitor C1 must now discharge through R4 toward ground. The output will return to a high state when the voltage across the capacitor has discharged to a value equal to  $V_L$ . The period of oscillation will be twice the time it takes for the RC circuit to charge up to one half its final value. The period can be calculated from:

**EQUATION 4-8:**

$$\frac{1}{\text{FREQ}} = 2(0.694)(R4)(C1)$$

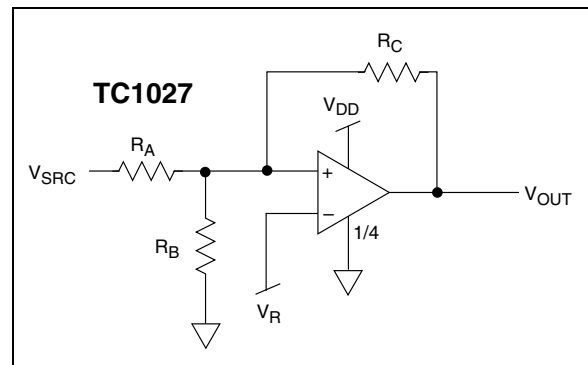
The frequency stability of this circuit should only be a function of the external component tolerances.

Figure 4-6 shows the circuit for a pulse width modulator circuit. It is essentially the same as in Figure 4-4, but with the addition of an input control voltage. When the input control voltage is equal to one-half  $V_{DD}$ , operation

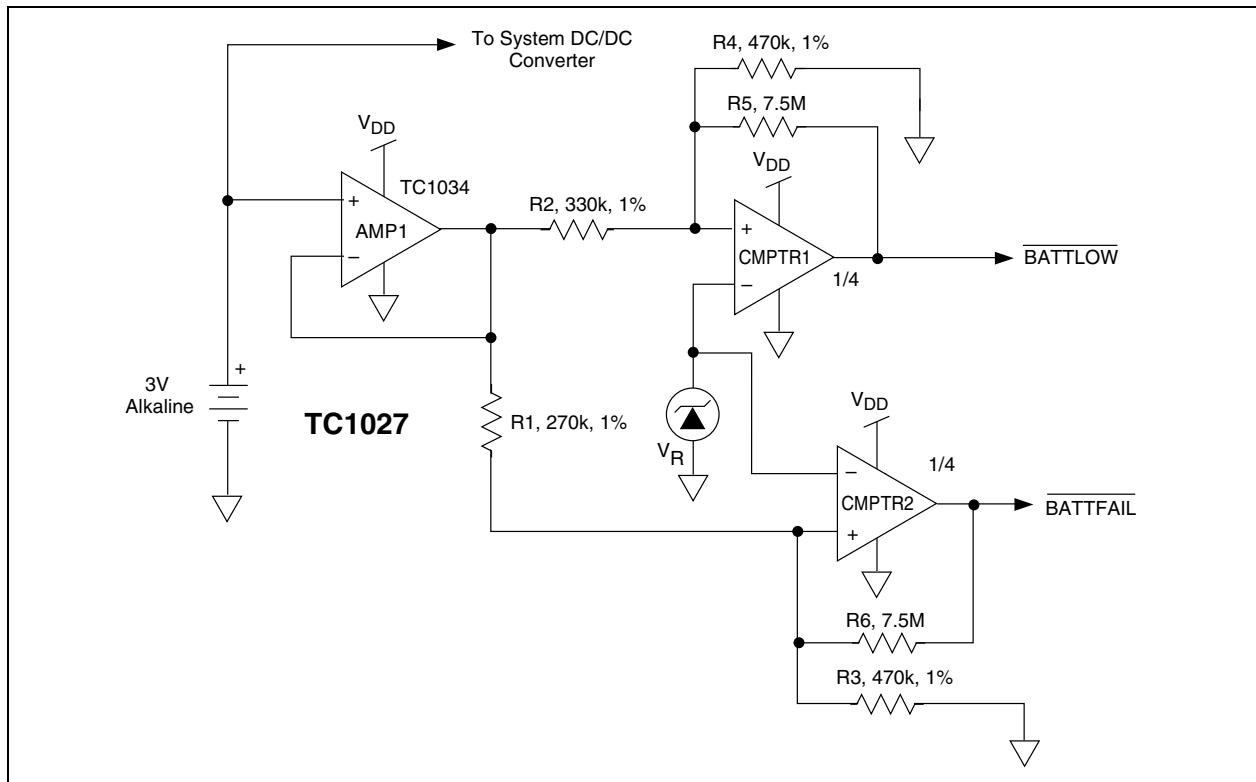
is basically the same as described for the free-running oscillator. If the input control voltage is moved above or below one-half  $V_{DD}$ , the duty cycle of the output square wave will be altered. This is because the addition of the control voltage at the input has now altered the trip points. The equations for these trip points are shown in Figure 4-6 (see  $V_H$  and  $V_L$ ).

Pulse width sensitivity to the input voltage variations can be increased by reducing the value of R6 from 10k $\Omega$  and conversely, sensitivity will be reduced by increasing the value of R6. The values of R1 and C1 can be varied to produce the desired center frequency.

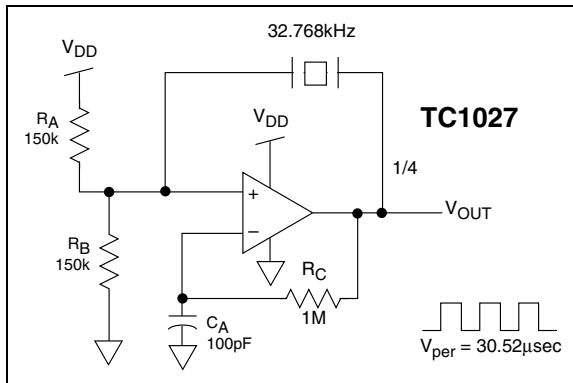
**FIGURE 4-1: COMPARATOR EXTERNAL HYSTERESIS CONFIGURATION**



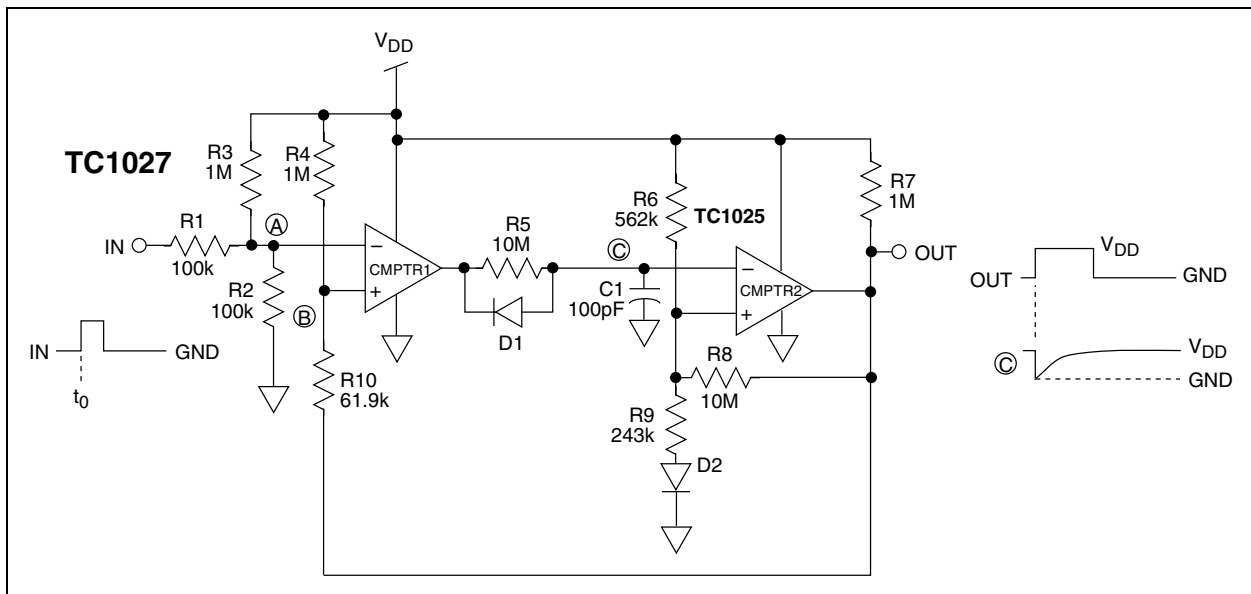
**FIGURE 4-2: PRECISION BATTERY MONITOR**



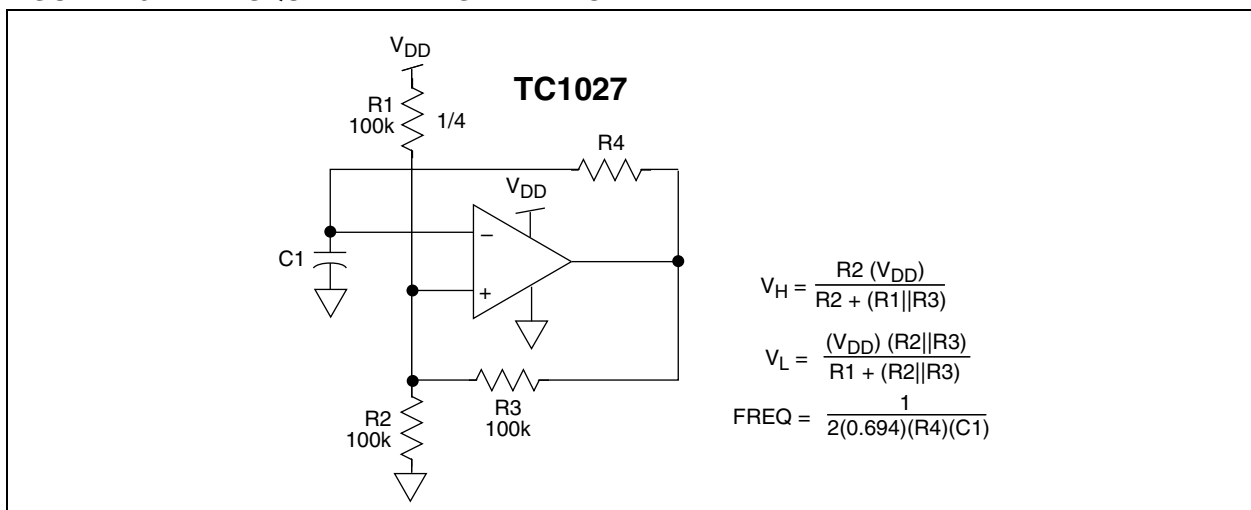
**FIGURE 4-3: 32.768 kHz “TIME OF DAY” CLOCK OSCILLATOR**



**FIGURE 4-4: NON-RETRIGGERABLE MULTIVIBRATOR**

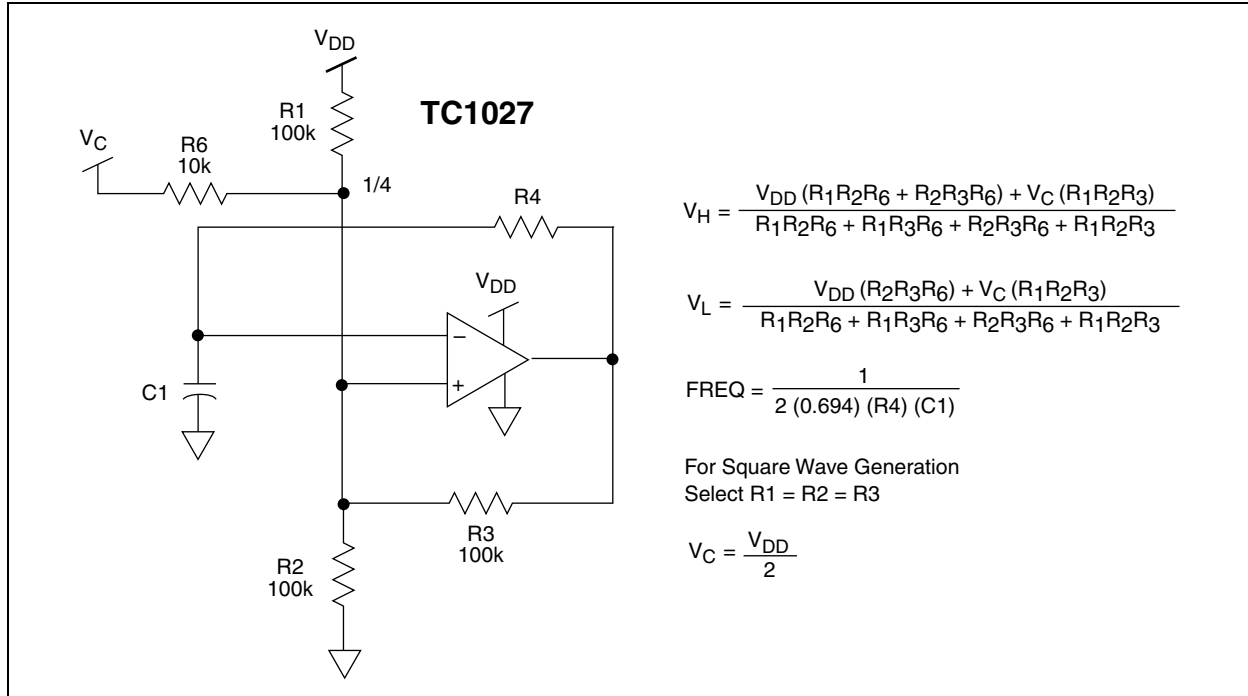


**FIGURE 4-5: SQUARE WAVE GENERATOR**



# TC1027

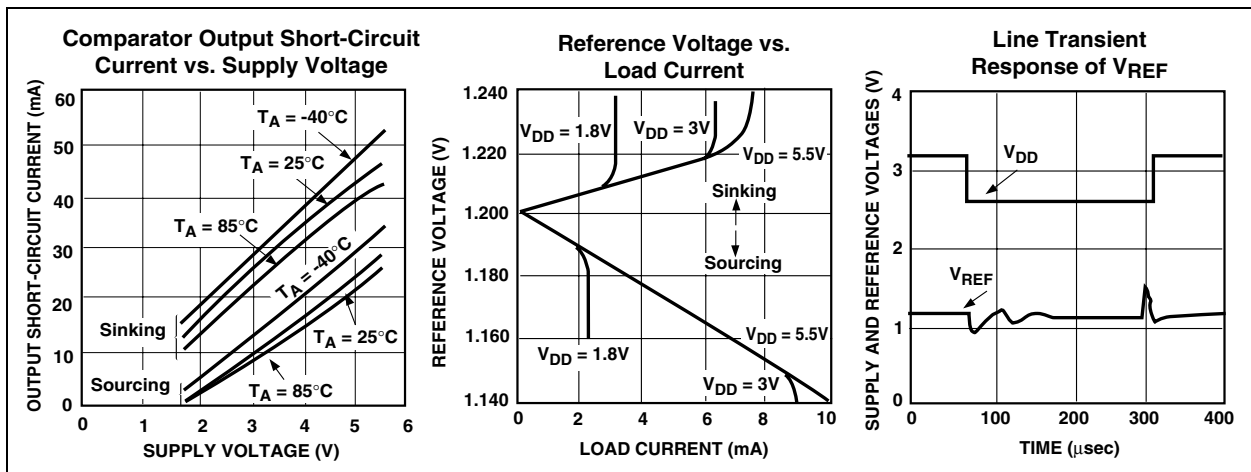
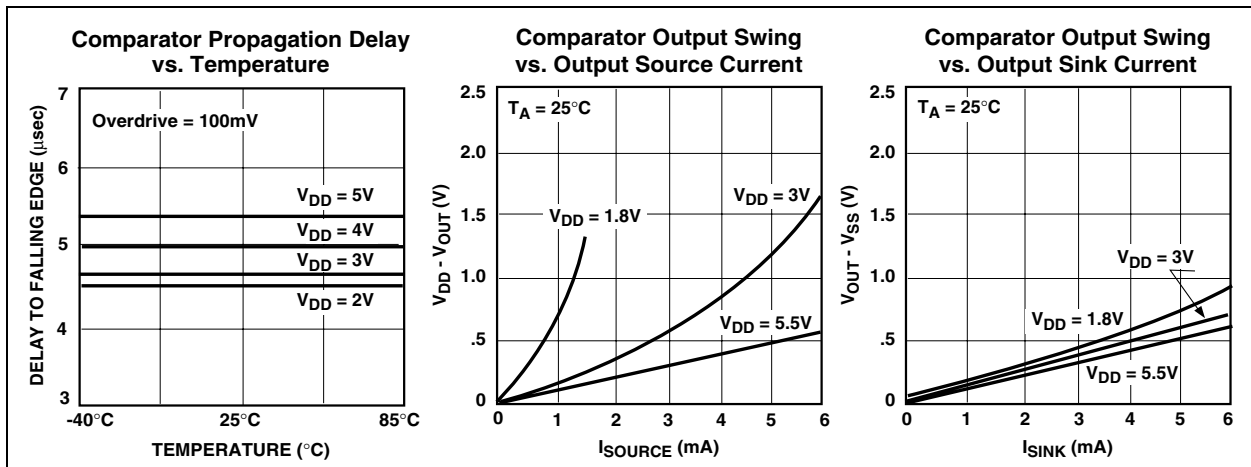
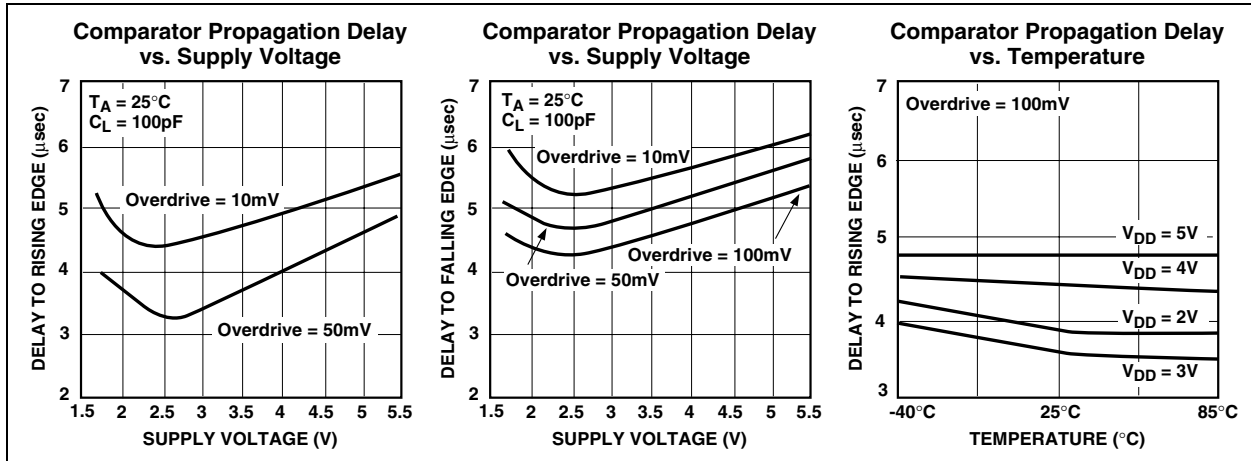
FIGURE 4-6: PULSE WIDTH MONITOR



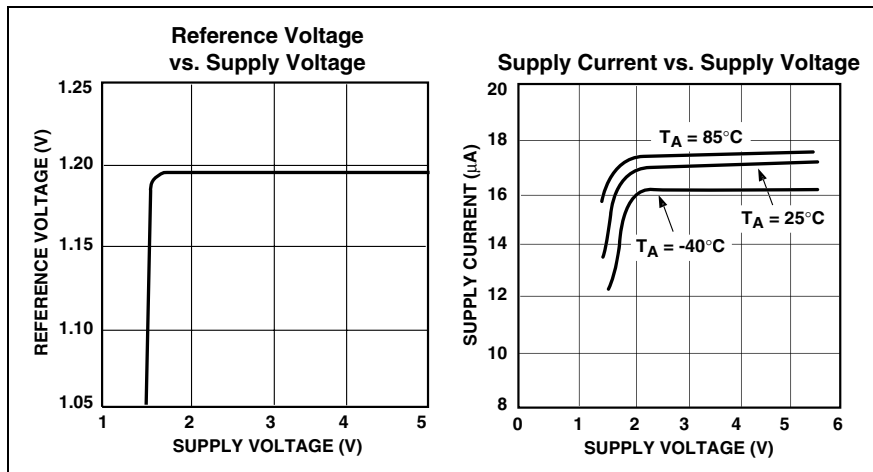


## 5.0 TYPICAL CHARACTERISTICS

**Note:** The graphs and tables provided following this note are a statistical summary based on a limited number of samples and are provided for informational purposes only. The performance characteristics listed herein are not tested or guaranteed. In some graphs or tables, the data presented may be outside the specified operating range (e.g., outside specified power supply range) and therefore outside the warranted range.



## 5.0 TYPICAL CHARACTERISTICS (CONTINUED)



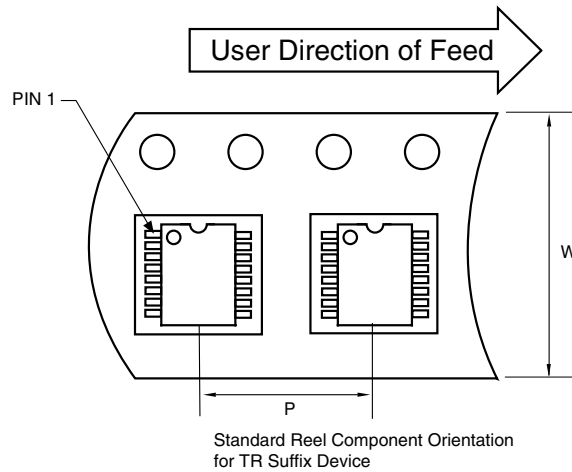
## 6.0 PACKAGING INFORMATION

### 6.1 Package Marking Information

Package marking data not available at this time.

### 6.2 Taping Form

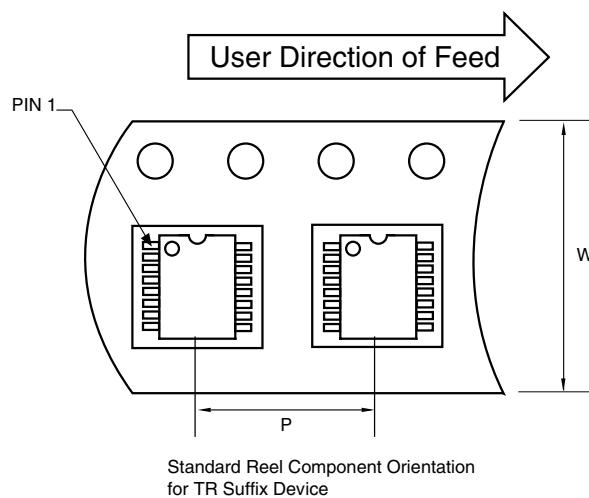
#### Component Taping Orientation for 16-Pin SOIC (Narrow) Devices



**Carrier Tape, Reel Size, and Number of Components Per Reel**

Package	Carrier Width (W)	Pitch (P)	Part Per Full Reel	Reel Size
16-Pin SOIC (N)	16 mm	8 mm	2500	13 in

#### Component Taping Orientation for 16-Pin QSOP (Narrow) Devices



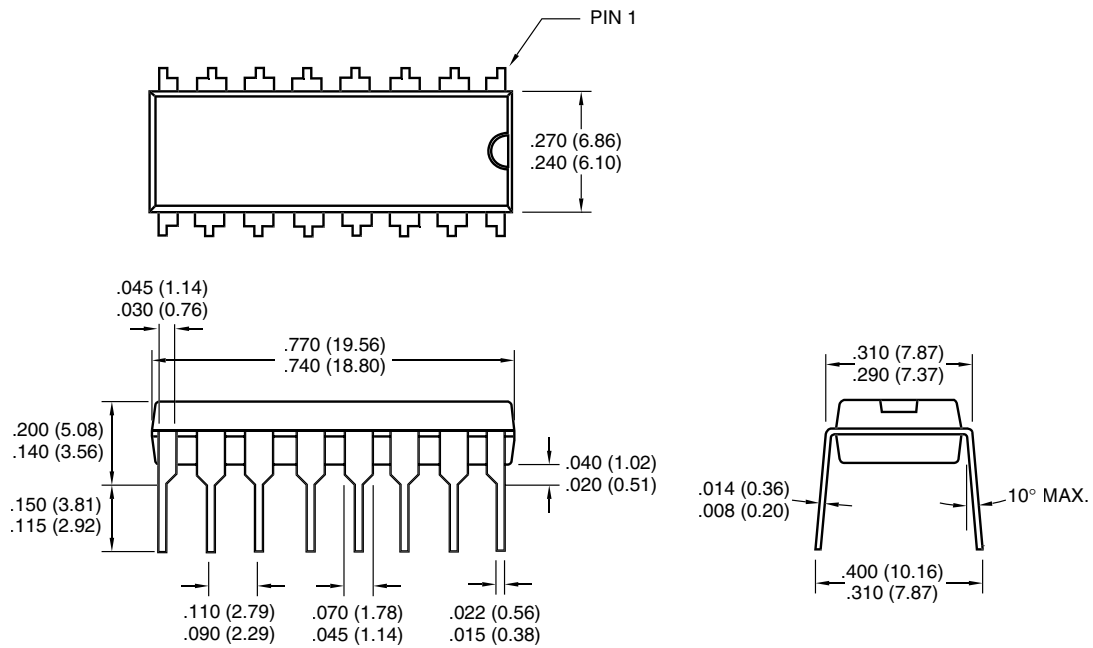
**Carrier Tape, Reel Size, Number of Components Per Reel and Reel Size**

Package	Carrier Width (W)	Pitch (P)	Part Per Full Reel	Reel Size
16-Pin QSOP (N)	12 mm	8 mm	2500	13 in

# TC1027

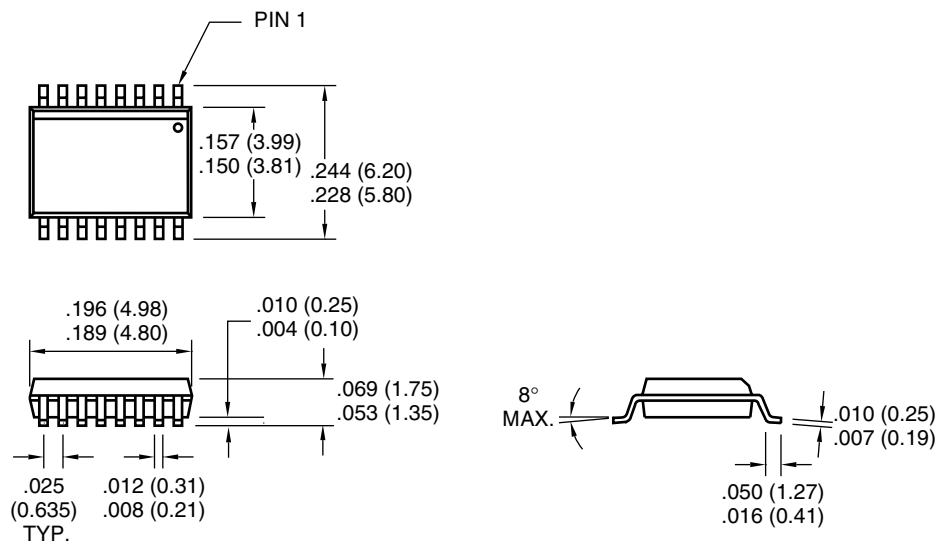
## 6.3 Package Dimensions

### 16-Pin PDIP (Narrow)



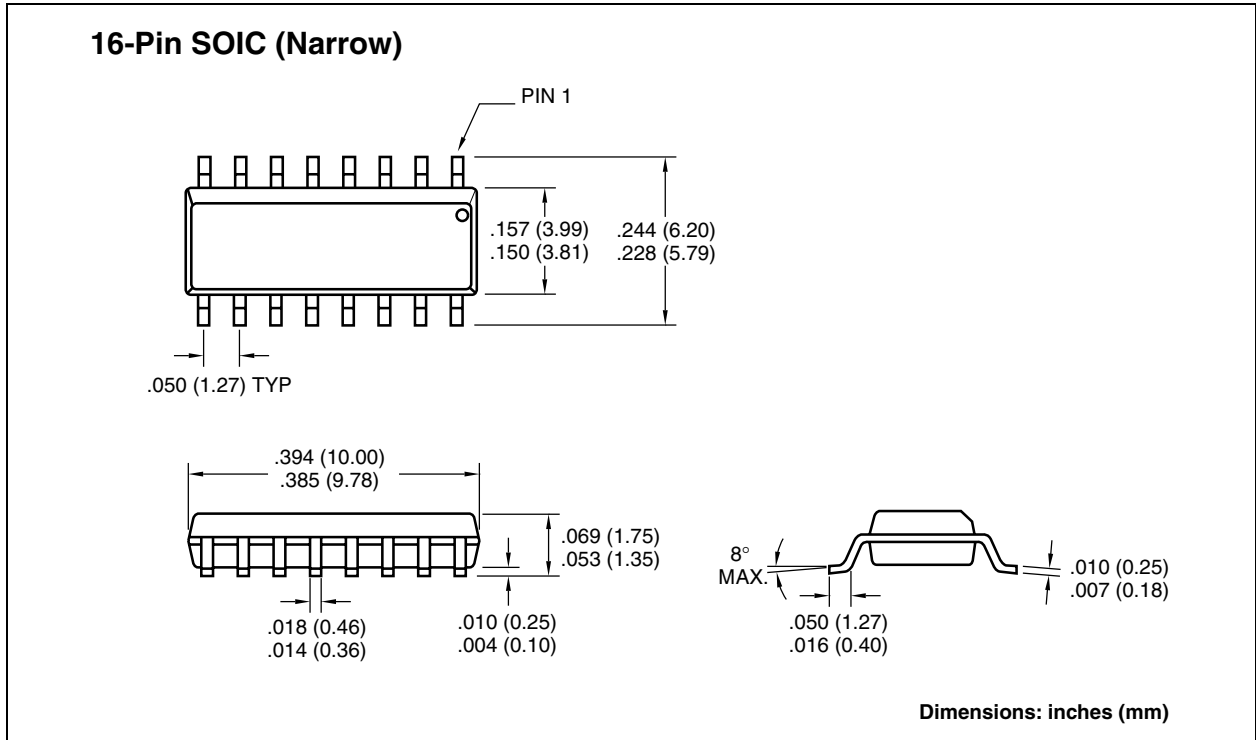
Dimensions: inches (mm)

### 16-Pin QSOP (Narrow)



Dimensions: inches (mm)

## 6.3 Package Dimensions (Continued)



# TC1027

---

---

NOTES:

## **Sales and Support**

### **Data Sheets**

Products supported by a preliminary Data Sheet may have an errata sheet describing minor operational differences and recommended workarounds. To determine if an errata sheet exists for a particular device, please contact one of the following:

1. Your local Microchip sales office
2. The Microchip Corporate Literature Center U.S. FAX: (480) 792-7277
3. The Microchip Worldwide Site ([www.microchip.com](http://www.microchip.com))

Please specify which device, revision of silicon and Data Sheet (include Literature #) you are using.

### **New Customer Notification System**

Register on our web site ([www.microchip.com/cn](http://www.microchip.com/cn)) to receive the most current information on our products.

# TC1027

---

NOTES:



Information contained in this publication regarding device applications and the like is intended through suggestion only and may be superseded by updates. It is your responsibility to ensure that your application meets with your specifications. No representation or warranty is given and no liability is assumed by Microchip Technology Incorporated with respect to the accuracy or use of such information, or infringement of patents or other intellectual property rights arising from such use or otherwise. Use of Microchip's products as critical components in life support systems is not authorized except with express written approval by Microchip. No licenses are conveyed, implicitly or otherwise, under any intellectual property rights.

## Trademarks

The Microchip name and logo, the Microchip logo, FilterLab, KEELOQ, microID, MPLAB, PIC, PICmicro, PICMASTER, PICSTART, PRO MATE, SEEVAL and The Embedded Control Solutions Company are registered trademarks of Microchip Technology Incorporated in the U.S.A. and other countries.

dsPIC, ECONOMONITOR, FanSense, FlexROM, fuzzyLAB, In-Circuit Serial Programming, ICSP, ICEPIC, microPort, Migratable Memory, MPASM, MPLIB, MPLINK, MPSIM, MXDEV, PICC, PICDEM, PICDEM.net, rfPIC, Select Mode and Total Endurance are trademarks of Microchip Technology Incorporated in the U.S.A.

Serialized Quick Turn Programming (SQTP) is a service mark of Microchip Technology Incorporated in the U.S.A.

All other trademarks mentioned herein are property of their respective companies.

© 2002, Microchip Technology Incorporated, Printed in the U.S.A., All Rights Reserved.

 Printed on recycled paper.



*Microchip received QS-9000 quality system certification for its worldwide headquarters, design and wafer fabrication facilities in Chandler and Tempe, Arizona in July 1999 and Mountain View, California in March 2002. The Company's quality system processes and procedures are QS-9000 compliant for its PICmicro® 8-bit MCUs, KEELOQ® code hopping devices, Serial EEPROMs, microperipherals, non-volatile memory and analog products. In addition, Microchip's quality system for the design and manufacture of development systems is ISO 9001 certified.*



# MICROCHIP

## WORLDWIDE SALES AND SERVICE

### AMERICAS

#### Corporate Office

2355 West Chandler Blvd.  
Chandler, AZ 85224-6199  
Tel: 480-792-7200 Fax: 480-792-7277  
Technical Support: 480-792-7627  
Web Address: <http://www.microchip.com>

#### Rocky Mountain

2355 West Chandler Blvd.  
Chandler, AZ 85224-6199  
Tel: 480-792-7966 Fax: 480-792-7456

#### Atlanta

500 Sugar Mill Road, Suite 200B  
Atlanta, GA 30350  
Tel: 770-640-0034 Fax: 770-640-0307

#### Boston

2 Lan Drive, Suite 120  
Westford, MA 01886  
Tel: 978-692-3848 Fax: 978-692-3821

#### Chicago

333 Pierce Road, Suite 180  
Itasca, IL 60143  
Tel: 630-285-0071 Fax: 630-285-0075

#### Dallas

4570 Westgrove Drive, Suite 160  
Addison, TX 75001  
Tel: 972-818-7423 Fax: 972-818-2924

#### Detroit

Tri-Atria Office Building  
32255 Northwestern Highway, Suite 190  
Farmington Hills, MI 48334  
Tel: 248-538-2250 Fax: 248-538-2260

#### Kokomo

2767 S. Albright Road  
Kokomo, Indiana 46902  
Tel: 765-864-8360 Fax: 765-864-8387

#### Los Angeles

18201 Von Karman, Suite 1090  
Irvine, CA 92612  
Tel: 949-263-1888 Fax: 949-263-1338

#### New York

150 Motor Parkway, Suite 202  
Hauppauge, NY 11788  
Tel: 631-273-5305 Fax: 631-273-5335

#### San Jose

Microchip Technology Inc.  
2107 North First Street, Suite 590  
San Jose, CA 95131  
Tel: 408-436-7950 Fax: 408-436-7955

#### Toronto

6285 Northam Drive, Suite 108  
Mississauga, Ontario L4V 1X5, Canada  
Tel: 905-673-0699 Fax: 905-673-6509

### ASIA/PACIFIC

#### Australia

Microchip Technology Australia Pty Ltd  
Suite 22, 41 Rawson Street  
Epping 2121, NSW  
Australia  
Tel: 61-2-9868-6733 Fax: 61-2-9868-6755

#### China - Beijing

Microchip Technology Consulting (Shanghai)  
Co., Ltd., Beijing Liaison Office  
Unit 915  
Bei Hai Wan Tai Bldg.  
No. 6 Chaoyangmen Beidajie  
Beijing, 100027, No. China  
Tel: 86-10-85282100 Fax: 86-10-85282104

#### China - Chengdu

Microchip Technology Consulting (Shanghai)  
Co., Ltd., Chengdu Liaison Office  
Rm. 2401, 24th Floor,  
Ming Xing Financial Tower  
No. 88 TIDU Street  
Chengdu 610016, China  
Tel: 86-28-6766200 Fax: 86-28-6766599

#### China - Fuzhou

Microchip Technology Consulting (Shanghai)  
Co., Ltd., Fuzhou Liaison Office  
Unit 28F, World Trade Plaza  
No. 71 Wusi Road  
Fuzhou 350001, China  
Tel: 86-591-7503506 Fax: 86-591-7503521

#### China - Shanghai

Microchip Technology Consulting (Shanghai)  
Co., Ltd.  
Room 701, Bldg. B  
Far East International Plaza  
No. 317 Xian Xia Road  
Shanghai, 200051  
Tel: 86-21-6275-5700 Fax: 86-21-6275-5060

#### China - Shenzhen

Microchip Technology Consulting (Shanghai)  
Co., Ltd., Shenzhen Liaison Office  
Rm. 1315, 13/F, Shenzhen Kerry Centre,  
Renminnan Lu  
Shenzhen 518001, China  
Tel: 86-755-2350361 Fax: 86-755-2366086

#### Hong Kong

Microchip Technology Hongkong Ltd.  
Unit 901-6, Tower 2, Metroplaza  
223 Hing Fong Road  
Kwai Fong, N.T., Hong Kong  
Tel: 852-2401-1200 Fax: 852-2401-3431

#### India

Microchip Technology Inc.  
India Liaison Office  
Divyasree Chambers  
1 Floor, Wing A (A3/A4)  
No. 11, O'Shaugnessey Road  
Bangalore, 560 025, India  
Tel: 91-80-2290061 Fax: 91-80-2290062

### Japan

Microchip Technology Japan K.K.  
Benex S-1 6F  
3-18-20, Shinyokohama  
Kohoku-Ku, Yokohama-shi  
Kanagawa, 222-0033, Japan  
Tel: 81-45-471-6166 Fax: 81-45-471-6122

### Korea

Microchip Technology Korea  
168-1, Youngbo Bldg. 3 Floor  
Samsung-Dong, Kangnam-Ku  
Seoul, Korea 135-882  
Tel: 82-2-554-7200 Fax: 82-2-558-5934

### Singapore

Microchip Technology Singapore Pte Ltd.  
200 Middle Road  
#07-02 Prime Centre  
Singapore, 188980  
Tel: 65-6334-8870 Fax: 65-6334-8850

### Taiwan

Microchip Technology Taiwan  
11F-3, No. 207  
Tung Hua North Road  
Taipei, 105, Taiwan  
Tel: 886-2-2717-7175 Fax: 886-2-2545-0139

### EUROPE

#### Denmark

Microchip Technology Nordic ApS  
Regus Business Centre  
Lautrup høj 1-3  
Ballerup DK-2750 Denmark  
Tel: 45 4420 9895 Fax: 45 4420 9910

#### France

Microchip Technology SARL  
Parc d'Activite du Moulin de Massy  
43 Rue du Saule Trapu  
Batiment A - 1er Etage  
91300 Massy, France  
Tel: 33-1-69-53-63-20 Fax: 33-1-69-30-90-79

#### Germany

Microchip Technology GmbH  
Gustav-Heinemann Ring 125  
D-81739 Munich, Germany  
Tel: 49-89-627-144 0 Fax: 49-89-627-144-44

#### Italy

Microchip Technology SRL  
Centro Direzionale Colleoni  
Palazzo Taurus 1 V. Le Colleoni 1  
20041 Agrate Brianza  
Milan, Italy  
Tel: 39-039-65791-1 Fax: 39-039-6899883

#### United Kingdom

Arizona Microchip Technology Ltd.  
505 Eskdale Road  
Winnersh Triangle  
Wokingham  
Berkshire, England RG41 5TU  
Tel: 44 118 921 5869 Fax: 44-118 921-5820

03/01/02

