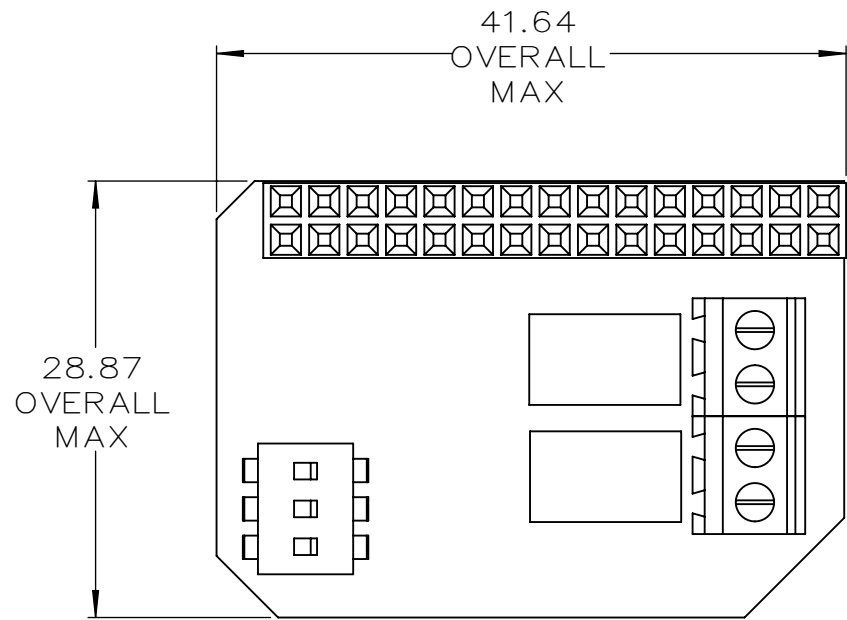
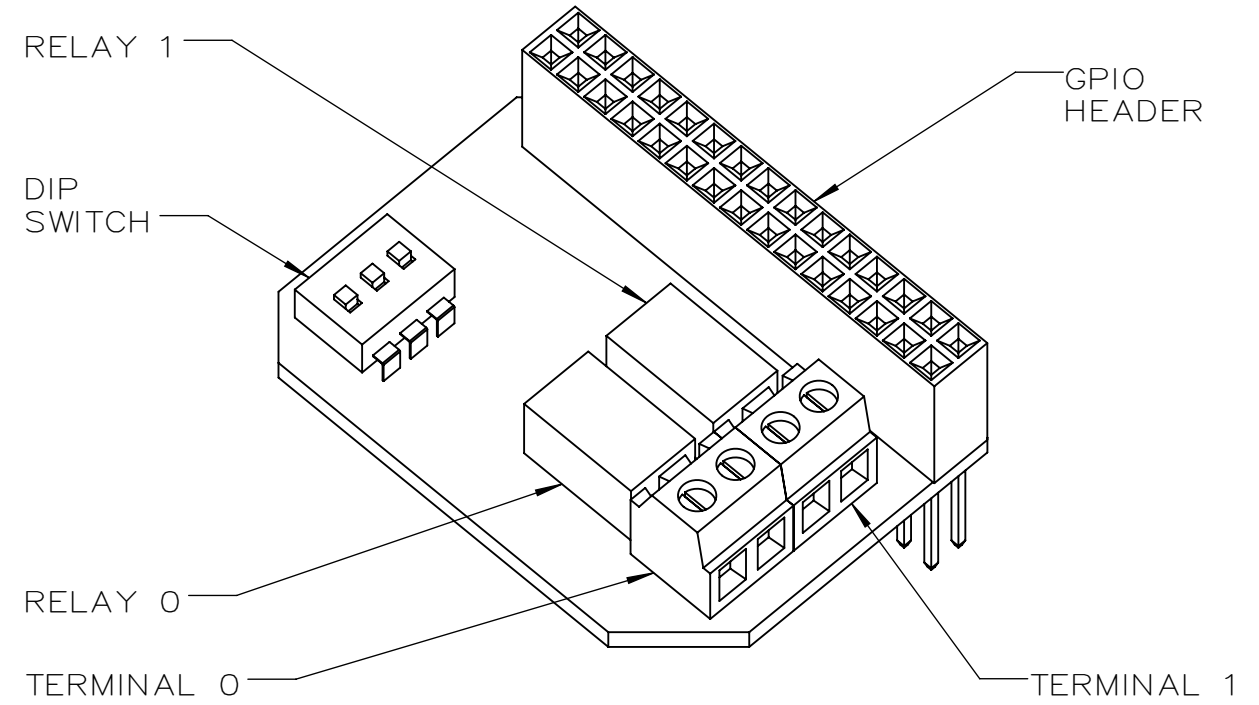


8 7 6 5 4 3 2 1

D



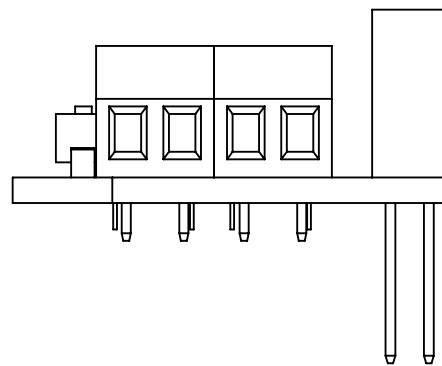
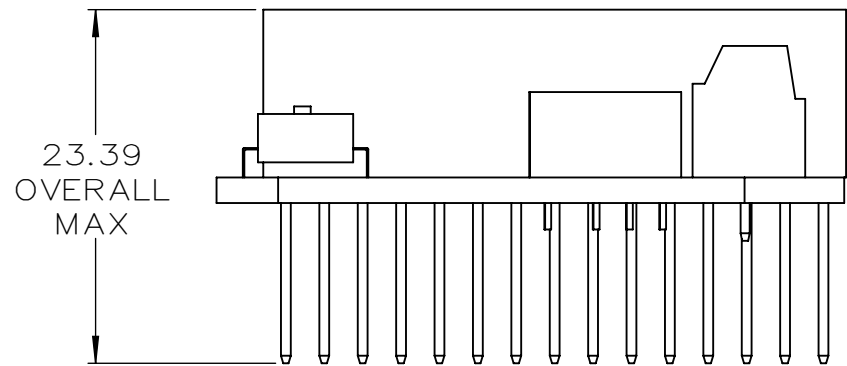
C



D

C

B



B

GENERAL DESCRIPTION

ONLY MAJOR AND INTERFACING COMPONENTS SHOWN.
 THRU-HOLE PINS MAY HAVE SOLDER AT THEIR BASES.
 SLIGHT VARIATIONS MAY OCCUR DUE TO MFG.
 SEE DOCUMENTATION FOR HOW TO USE.
 FOR REFERENCE ONLY; THIS IS NOT A DESIGN GUIDE.

		DIMENSION IN MM UNLESS NOTED	THE INFORMATION CONTAINED IN THIS DRAWING IS THE SOLE PROPERTY OF ONION CORPORATION. ANY REPRODUCTION IN PART OR AS A WHOLE WITHOUT THE WRITTEN PERMISSION OF ONION CORPORATION IS PROHIBITED.	
		TOLERANCES	AUTHOR	DATE
		.X ±0.1	GO	2016-03-22
		.XX ±0.06	CHECKED	DATE
		.XXX ±0.010		
		ANG.	APPROVED	DATE
		MACH ±0.5°		
		BEND ±1°	PROJECTION TYPE	TITLE
		MATERIAL		RELAY EXPANSION
				PART NO. REV.
				OM-E-RLY A2
				SCALE SIZE SHEET
				2:1 B 1 OF 6
NEXT ASSY	USED ON	DO NOT SCALE DRAWING		

A

A

8 7 6 5 4 3 2 1

8 7 6 5 4 3 2 1

D

D

C

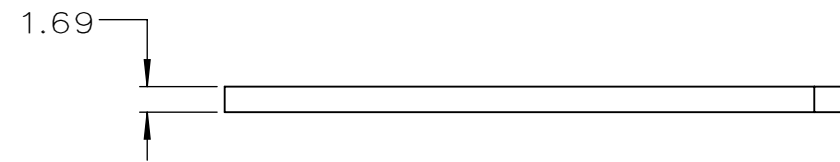
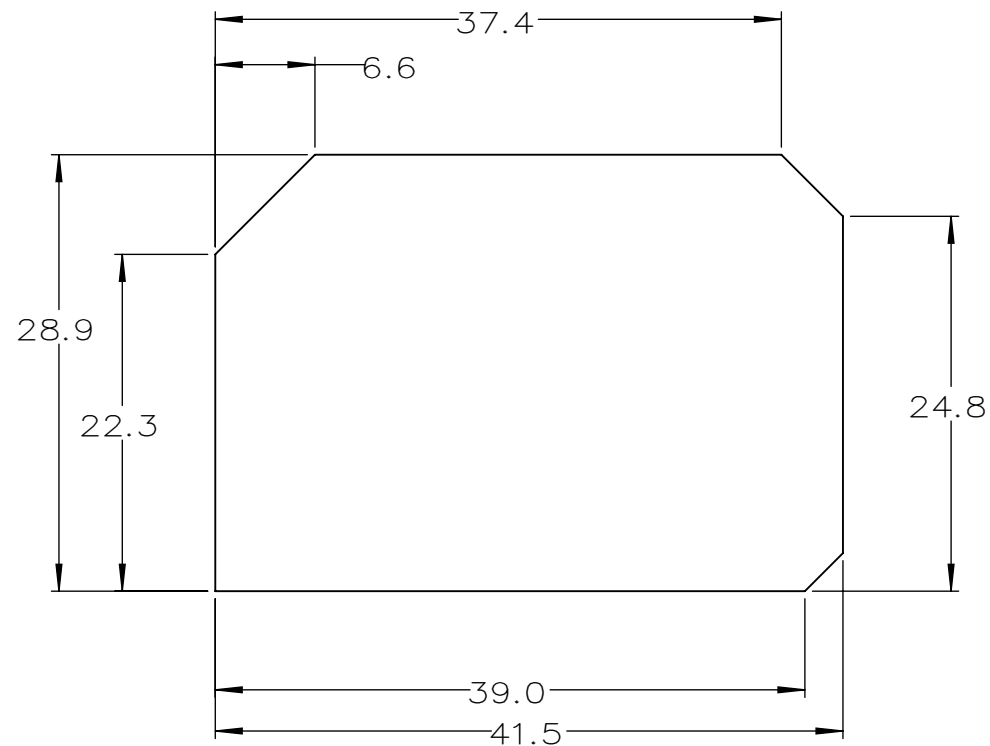
C

B

B


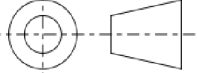
A

A



BOARD OUTLINE

ONLY MAJOR AND INTERFACING COMPONENTS SHOWN.
 THRU-HOLE PINS MAY HAVE SOLDER AT THEIR BASES.
 SLIGHT VARIATIONS MAY OCCUR DUE TO MFG.
 SEE DOCUMENTATION FOR HOW TO USE.
 FOR REFERENCE ONLY; THIS IS NOT A DESIGN GUIDE.

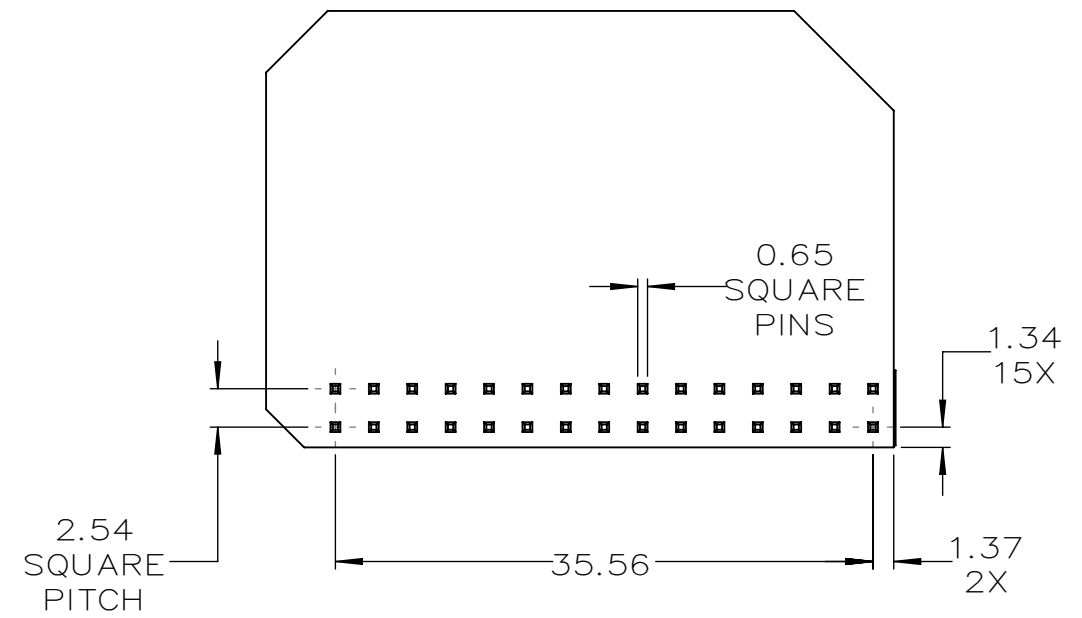
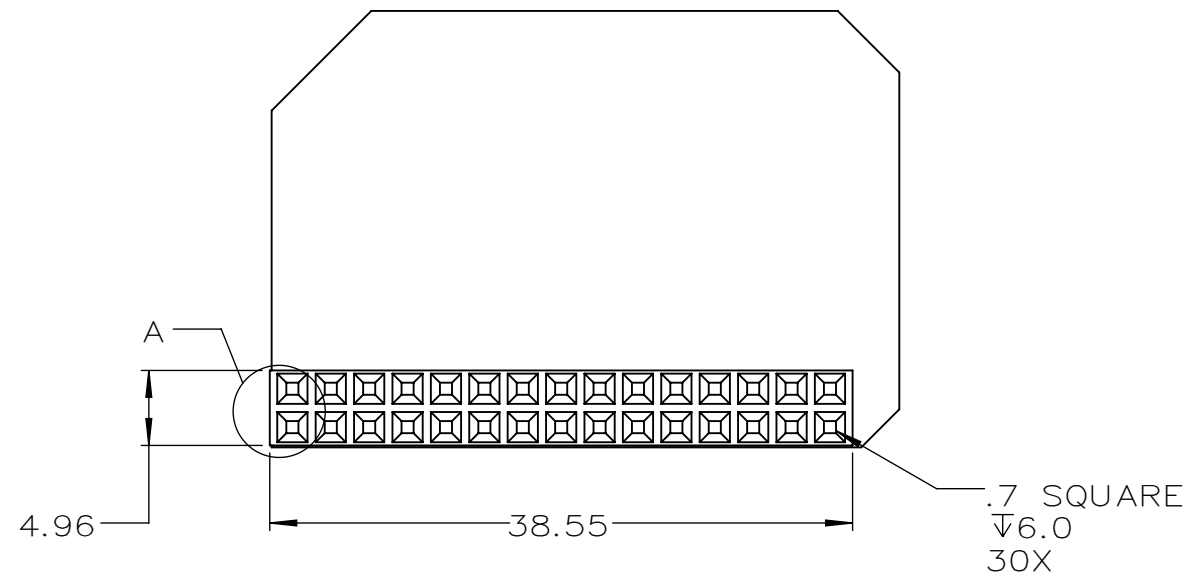
		DIMENSION IN MM UNLESS NOTED	THE INFORMATION CONTAINED IN THIS DRAWING IS THE SOLE PROPERTY OF ONION CORPORATION. ANY REPRODUCTION IN PART OR AS A WHOLE WITHOUT THE WRITTEN PERMISSION OF ONION CORPORATION IS PROHIBITED.		
		TOLERANCES	AUTHOR	DATE	
		.X ±0.1 .XX ±0.06 .XXX ±0.010	GO	2016-03-22	
		ANG. MACH ±0.5° BEND ±1°	CHECKED	DATE	
		MATERIAL	APPROVED	DATE	TITLE
					RELAY EXPANSION
			PROJECTION TYPE		PART NO.
					OM-E-RLY
					REV.
					A2
					SCALE
					2:1
					SIZE
					B
					SHEET
					2 OF 6
NEXT ASSY	USED ON	DO NOT SCALE DRAWING			

8 7 6 5 4 3 2 1

8 7 6 5 4 3 2 1

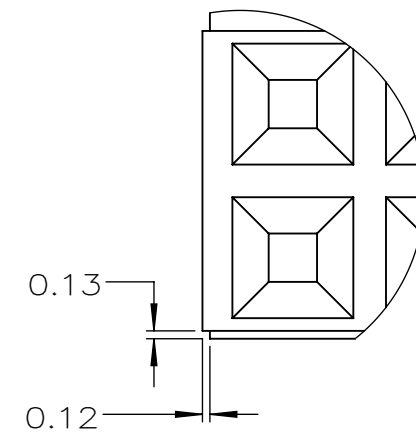
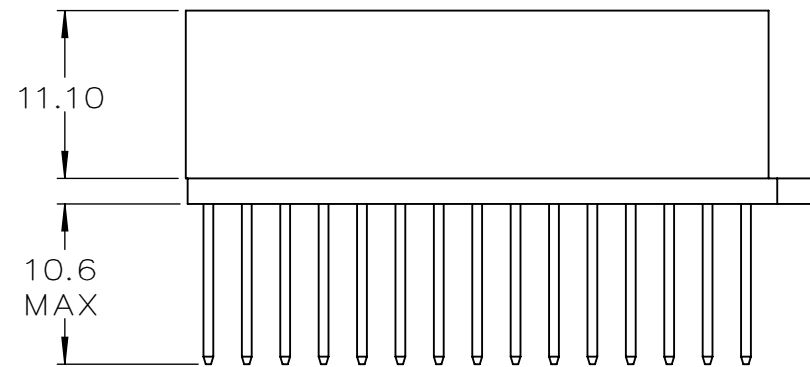
D

D



C

C



DETAIL A
SCALE 8 : 1

GPIO DETAIL

B

B

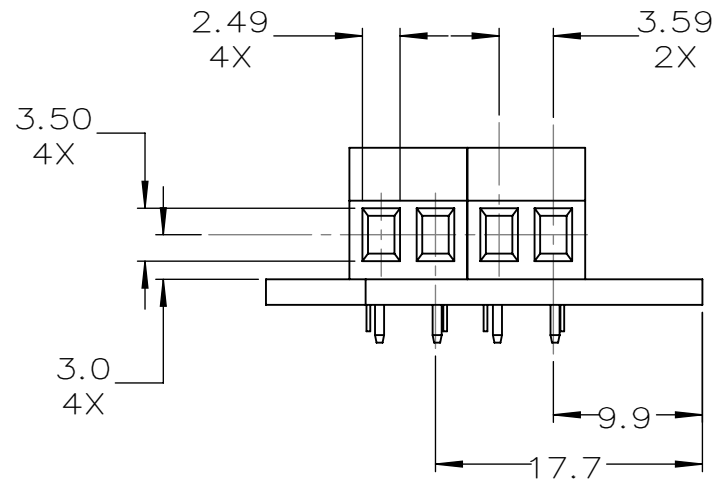
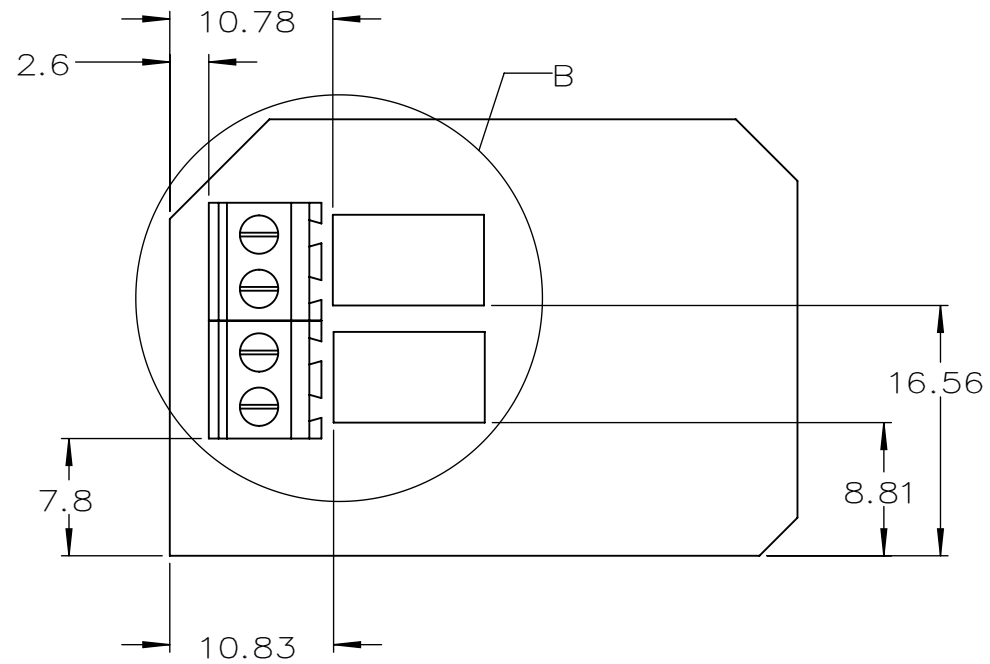
A

A

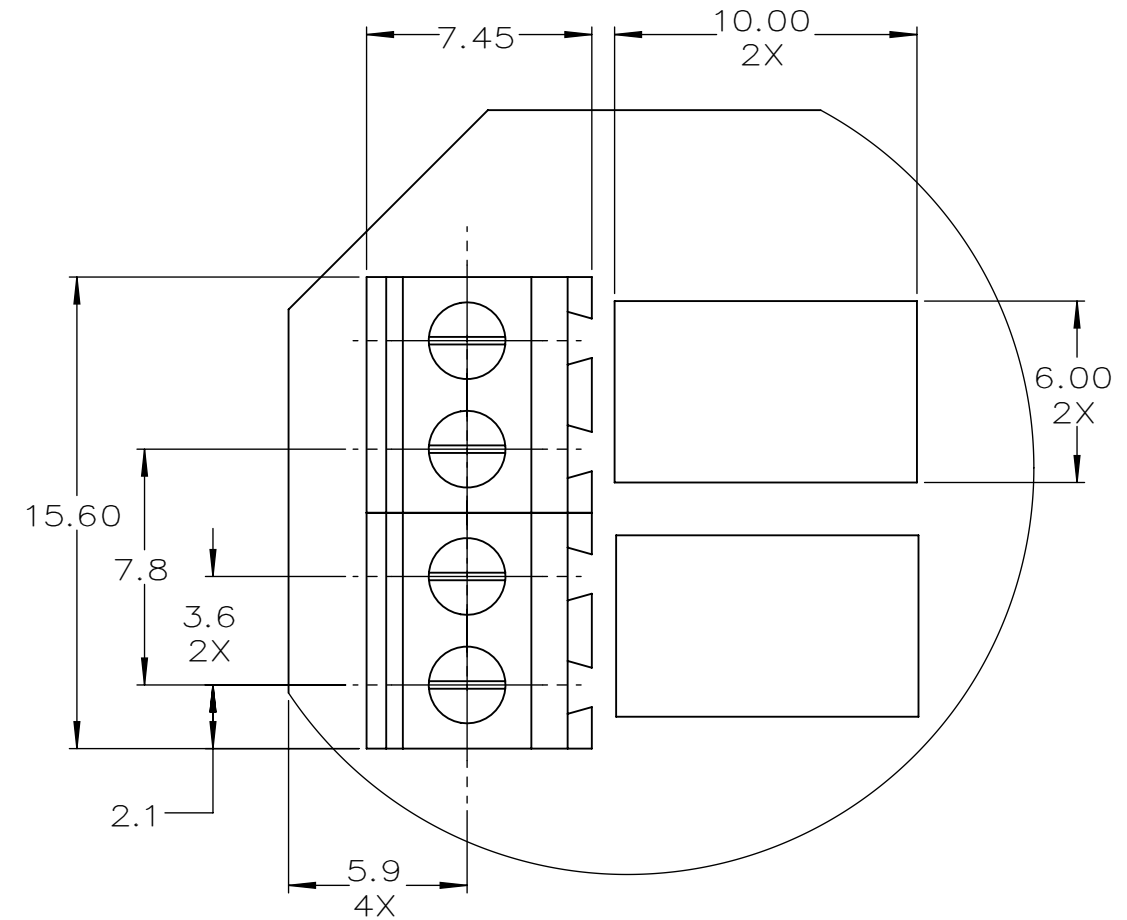
ONLY MAJOR AND INTERFACING COMPONENTS SHOWN.
 THRU-HOLE PINS MAY HAVE SOLDER AT THEIR BASES.
 SLIGHT VARIATIONS MAY OCCUR DUE TO MFG.
 SEE DOCUMENTATION FOR HOW TO USE.
 FOR REFERENCE ONLY; THIS IS NOT A DESIGN GUIDE.

		DIMENSION IN MM UNLESS NOTED	THE INFORMATION CONTAINED IN THIS DRAWING IS THE SOLE PROPERTY OF ONION CORPORATION. ANY REPRODUCTION IN PART OR AS A WHOLE WITHOUT THE WRITTEN PERMISSION OF ONION CORPORATION IS PROHIBITED.	
		TOLERANCES	AUTHOR	DATE
		.X ±0.1	GO	2016-03-22
		.XX ±0.06	CHECKED	DATE
		.XXX ±0.010		
		ANG.	APPROVED	DATE
		MACH ±0.5°		
		BEND ±1°	PROJECTION TYPE	TITLE
		MATERIAL		RELAY EXPANSION
		DO NOT SCALE DRAWING		PART NO. REV.
NEXT ASSY	USED ON			OM-E-RLY A2
				SCALE SIZE SHEET
				2:1 B 3 OF 6

8 7 6 5 4 3 2 1



TERMINAL BLOCK
PORT DETAIL

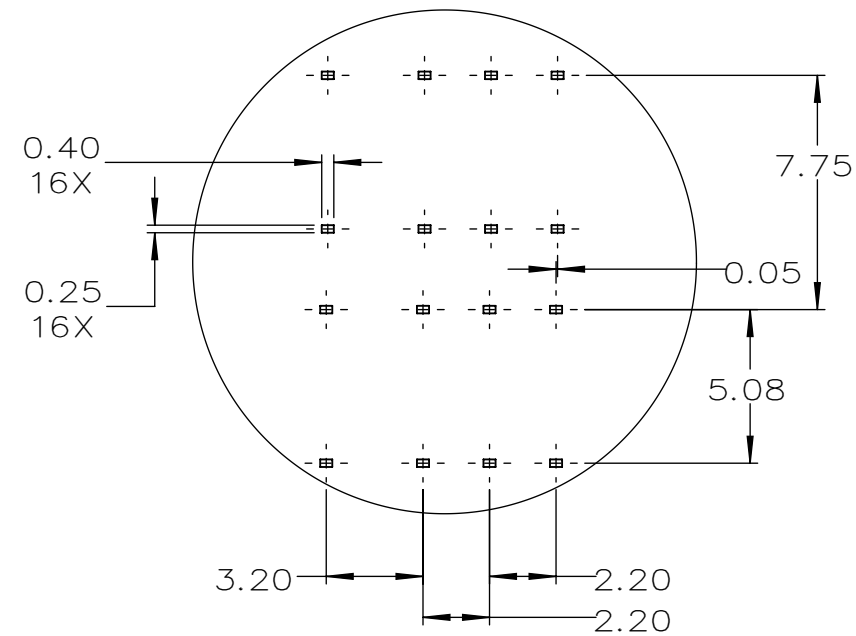
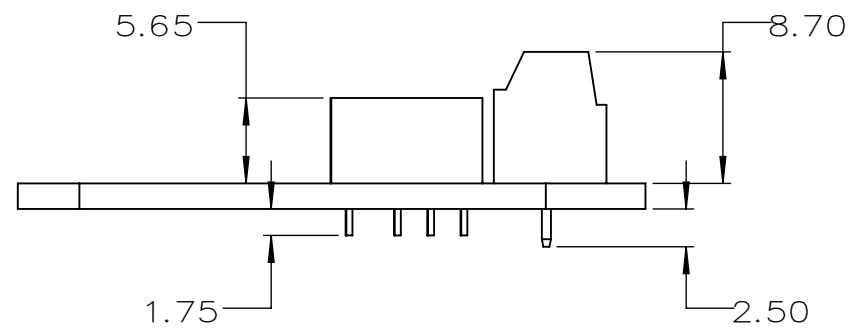
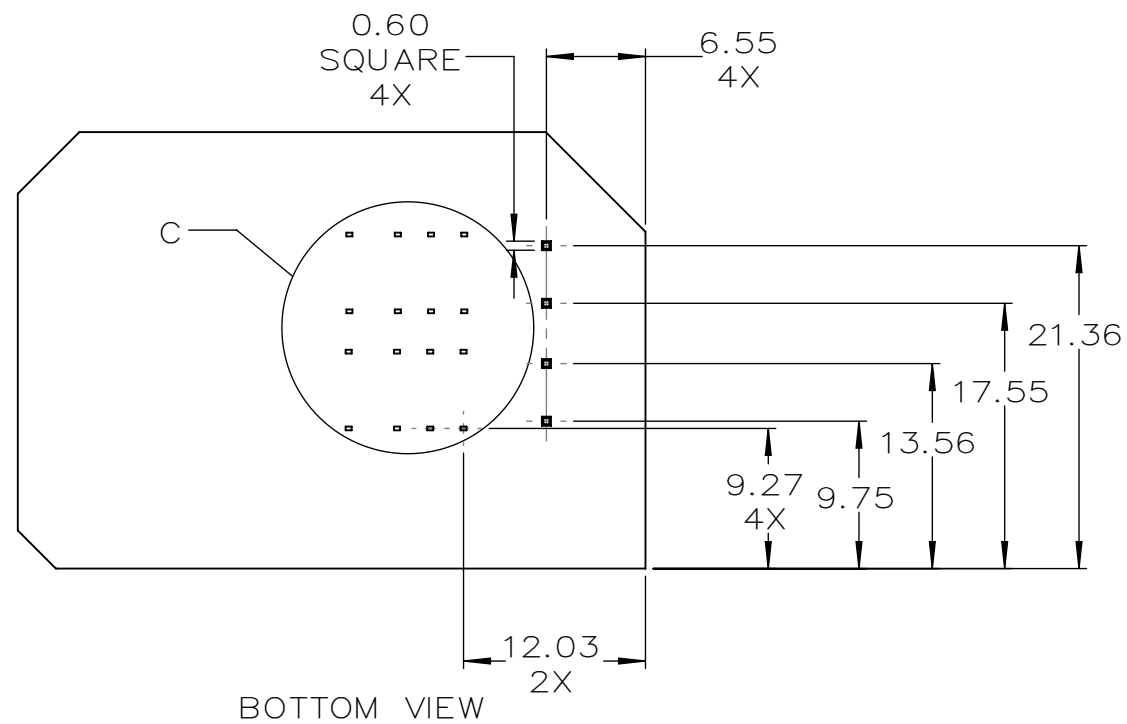


DETAIL B
SCALE 4 : 1

RELAY, TERMINAL
DETAIL


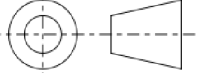
ONLY MAJOR AND INTERFACING COMPONENTS SHOWN.
THRU-HOLE PINS MAY HAVE SOLDER AT THEIR BASES.
SLIGHT VARIATIONS MAY OCCUR DUE TO MFG.
SEE DOCUMENTATION FOR HOW TO USE.
FOR REFERENCE ONLY; THIS IS NOT A DESIGN GUIDE.

		DIMENSION IN MM UNLESS NOTED	THE INFORMATION CONTAINED IN THIS DRAWING IS THE SOLE PROPERTY OF ONION CORPORATION. ANY REPRODUCTION IN PART OR AS A WHOLE WITHOUT THE WRITTEN PERMISSION OF ONION CORPORATION IS PROHIBITED.	
		TOLERANCES	AUTHOR	DATE
		.X ±0.1	GO	2016-03-22
		.XX ±0.06	CHECKED	DATE
		.XXX ±0.010	APPROVED	DATE
		ANG.	PROJECTION TYPE	
		MACH ±0.5°		
		BEND ±1°	TITLE	
		MATERIAL	RELAY EXPANSION	
			PART NO.	
			OM-E-RLY	
			SCALE	REV.
			2:1	A2
			SIZE	SHEET
			B	4 OF 6
NEXT ASSY	USED ON	DO NOT SCALE DRAWING		



RELAY, TERMINAL
PIN DETAIL

ONLY MAJOR AND INTERFACING COMPONENTS SHOWN.
 THRU-HOLE PINS MAY HAVE SOLDER AT THEIR BASES.
 SLIGHT VARIATIONS MAY OCCUR DUE TO MFG.
 SEE DOCUMENTATION FOR HOW TO USE.
 FOR REFERENCE ONLY; THIS IS NOT A DESIGN GUIDE.

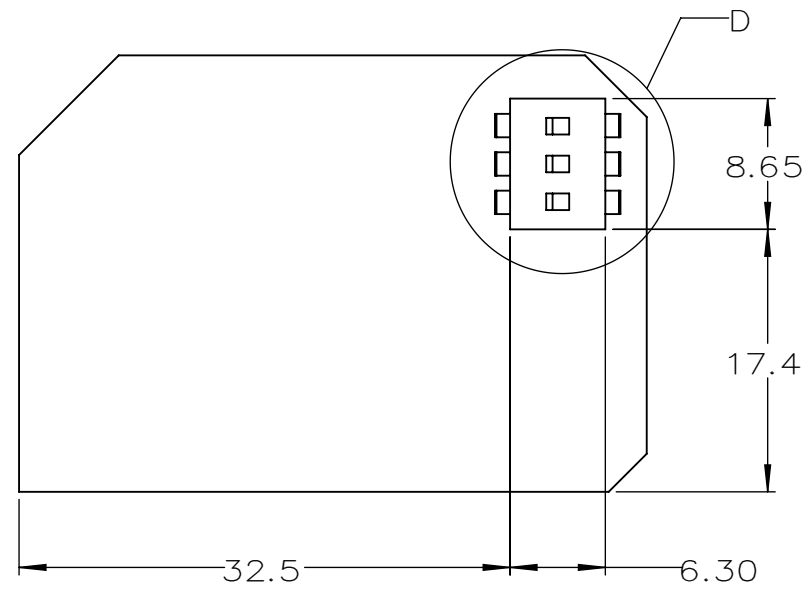
		DIMENSION IN MM UNLESS NOTED	THE INFORMATION CONTAINED IN THIS DRAWING IS THE SOLE PROPERTY OF ONION CORPORATION. ANY REPRODUCTION IN PART OR AS A WHOLE WITHOUT THE WRITTEN PERMISSION OF ONION CORPORATION IS PROHIBITED.				
		TOLERANCES	AUTHOR	DATE			
		.X ±0.1 .XX ±0.06 .XXX ±0.010	GO	2016-03-22			
		ANG. MACH ±0.5° BEND ±1°	CHECKED	DATE			
		MATERIAL	APPROVED	DATE	TITLE		
					RELAY EXPANSION		
			PROJECTION TYPE		PART NO.	REV.	
					OM-E-RLY	A2	
		DO NOT SCALE DRAWING			SCALE	SIZE	SHEET
					2:1	B	5 OF 6

NEXT ASSY USED ON

8 7 6 5 4 3 2 1

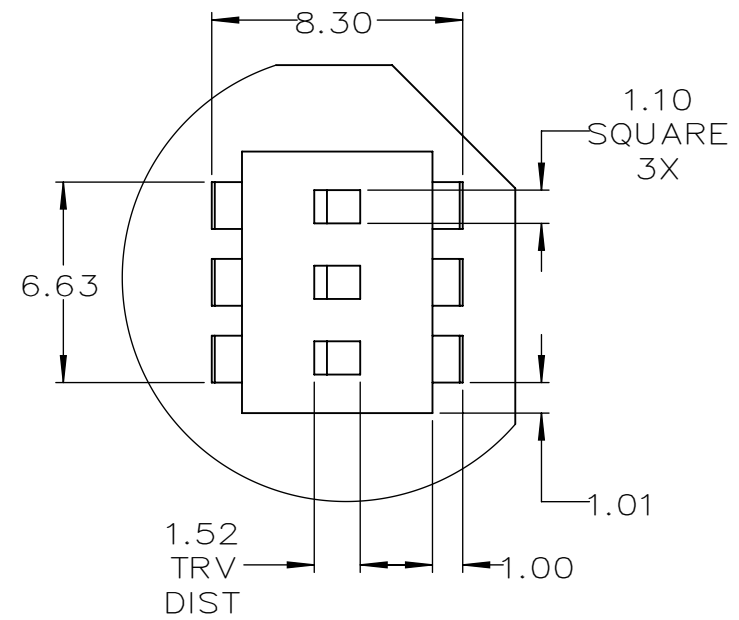
D

D



C

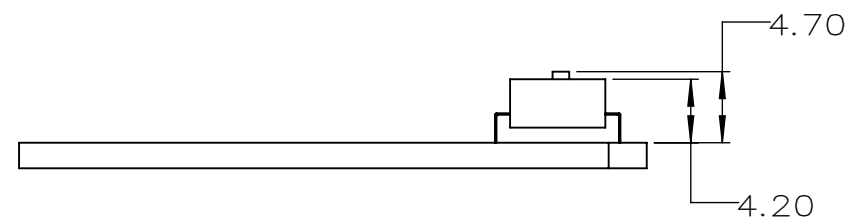
C



DETAIL D
SCALE 4 : 1

B

B


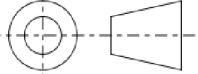


DIP SWITCH
DETAIL

ONLY MAJOR AND INTERFACING COMPONENTS SHOWN.
THRU-HOLE PINS MAY HAVE SOLDER AT THEIR BASES.
SLIGHT VARIATIONS MAY OCCUR DUE TO MFG.
SEE DOCUMENTATION FOR HOW TO USE.
FOR REFERENCE ONLY; THIS IS NOT A DESIGN GUIDE.

A

A

		DIMENSION IN MM UNLESS NOTED	THE INFORMATION CONTAINED IN THIS DRAWING IS THE SOLE PROPERTY OF ONION CORPORATION. ANY REPRODUCTION IN PART OR AS A WHOLE WITHOUT THE WRITTEN PERMISSION OF ONION CORPORATION IS PROHIBITED.		
		TOLERANCES	AUTHOR	DATE	
		.X ±0.1	GO	2016-03-22	
		.XX ±0.06	CHECKED	DATE	
		.XXX ±0.010	APPROVED	DATE	TITLE
		ANG.			RELAY EXPANSION
		MACH ±0.5°	PROJECTION TYPE		PART NO.
		BEND ±1°			OM-E-RLY
		MATERIAL			REV.
					A2
		DO NOT SCALE DRAWING			SCALE
					2:1
					SIZE
					B
					SHEET
					6 OF 6
NEXT ASSY	USED ON				

8 7 6 5 4 3 2 1