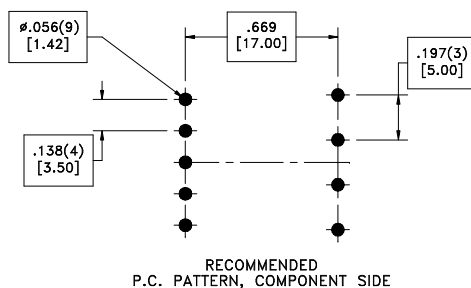
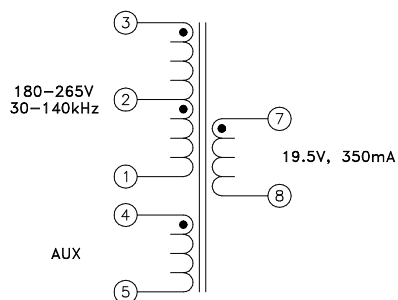
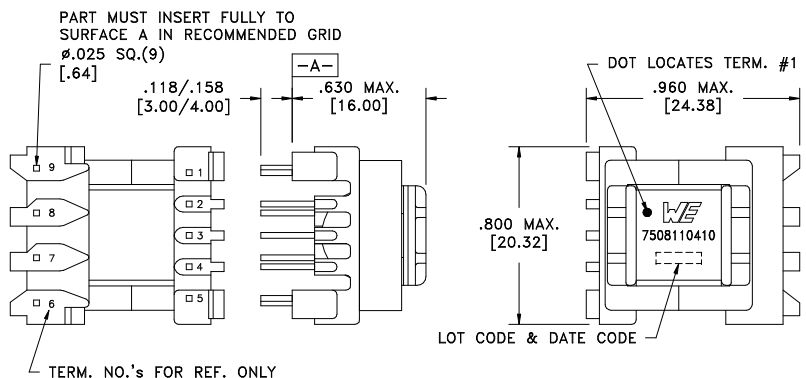


|                   |      |               |
|-------------------|------|---------------|
| CUSTOMER TERMINAL | RoHS | LEAD(Pb)-FREE |
| Sn96%, Ag4%       | Yes  | Yes           |

more than you expect



ELECTRICAL SPECIFICATIONS @ 25°C unless otherwise noted:

| PARAMETER          | TEST CONDITIONS                        | VALUE                  |
|--------------------|--|------------------------|
| D.C. RESISTANCE    | 3-1 @20°C                              | 16.50 ohms ±10%        |
| D.C. RESISTANCE    | 7-8 @20°C                              | 0.175 ohms ±10%        |
| D.C. RESISTANCE    | 4-5 @20°C                              | 0.810 ohms ±10%        |
| INDUCTANCE         | 3-1 100kHz, 100mVAC, Ls                | 13.80mH ±10%           |
| SATURATION CURRENT | 20% rolloff from initial               | 225mA                  |
| LEAKAGE INDUCTANCE | 3-1 tie(4+5, 7+8), 100kHz, 100mVAC, Ls | 150uH typ., 200uH max. |
| DIELECTRIC         | 3-7 tie(3+4), 4500VAC, 1 second        | 4500VAC, 1 minute      |
| DIELECTRIC         | 3-4 625VAC, 1 second                   | 500VAC, 1 minute       |
| URNS RATIO         | (3-1):(7-8)                            | 18.50:1, ±1%           |
| URNS RATIO         | (3-1):(4-5)                            | 23.12:1, ±1%           |

GENERAL SPECIFICATIONS:

OPERATING TEMPERATURE RANGE: -40°C to +125°C including temp rise.

Designed to comply with the following requirements as defined by IEC61558-2-17:  
 - Reinforced insulation for a primary circuit at a working voltage of 400VDC.

Wire insulation & RoHS status not affected by wire color.  
 Wire insulation color may vary depending on availability.

|      |      |  |                      |  |                                     |                               |
|------|------|--|----------------------|--|-------------------------------------|-------------------------------|
| REV. | DATE | Packaging Specifications<br>Method: Tray<br>PKG-0735<br>www.we-online.com/midcom |                      | Tolerances unless otherwise specified:<br>Angles: ±1°      Decimals: ±.005 [.13]<br>Fractions: ±1/64      Footprint: ±.001 [.03] | DRAWING TITLE<br><b>TRANSFORMER</b> | PART NO.<br><b>7508110410</b> |
| 6A   | 1/11 | SEE REVISION SHEET FOR REVISION LEVEL  | CONVENTION PLACEMENT | This drawing is dual dimensioned. Dimensions in brackets are in millimeters.   | eiSos p/n: 7508110410               | SPECIFICATION SHEET 1 OF 1    |