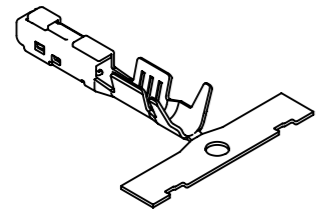
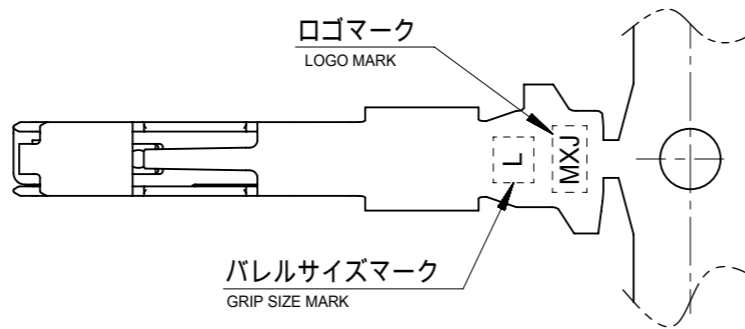
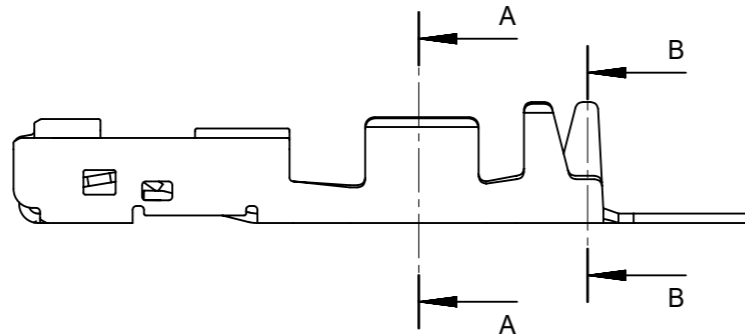
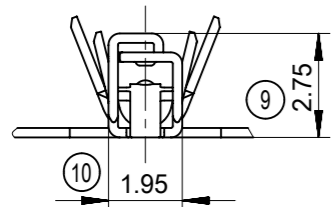
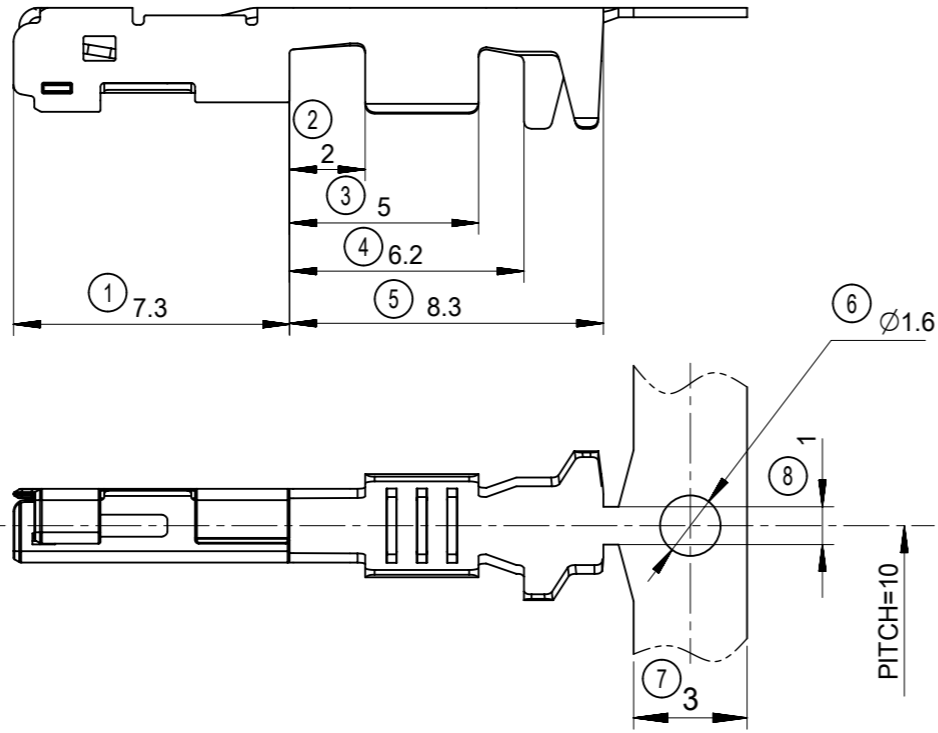


# CONFIDENTIAL

※管理者以外のコピー及び配布を禁ずる



(2:1)

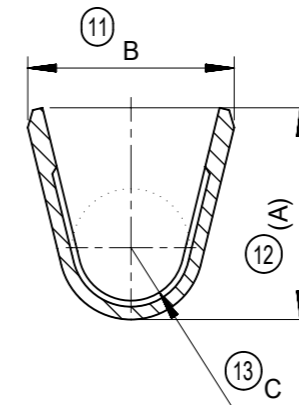


注記

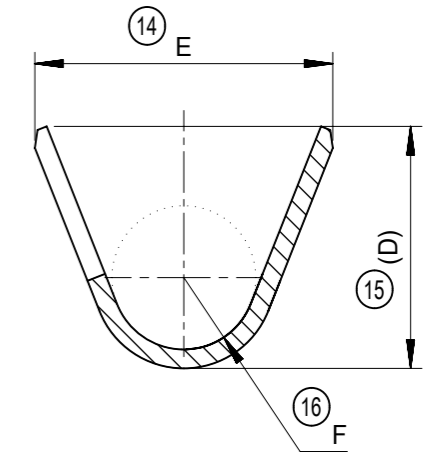
- 一般公差  
 $< 10 : \pm 0.3$   
 $10 \leq < 30 : \pm 0.4$   
 $30 \leq : \pm 0.5$   
 ANGULAR :  $\pm 5^\circ$
- 材質 : 銅合金
- めっき仕様 : すずめっき
- 圧着規格  
 弊社圧着仕様書に準拠すること。  
 圧着仕様書 : AS-560205-001
- ELV及びRoHS適合品

NOTES:

- GENERAL TOLERANCES  
 $< 10 : \pm 0.3$   
 $10 \leq < 30 : \pm 0.4$   
 $30 \leq : \pm 0.5$   
 ANGULAR :  $\pm 5^\circ$
- MATERIAL : COPPER ALLOY
- PLATING : Tin PLATING
- CRIMP STANDARD  
 IT IS BASED ON MOLEX CRIMP STANDARD.  
 CRIMP SPECIFICATION : AS-560205-001
- ELV & RoHS COMPLIANT

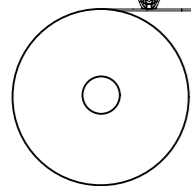
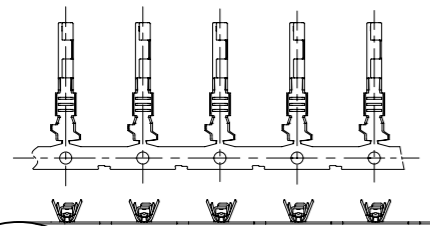


SECTION A-A  
SCALE 10:1



SECTION B-B  
SCALE 10:1

製品取り出し方向  
DIRECTION OF PRODUCT TAKING OUT



製品番号 PART NO.	バレル サイズ GRIP SIZE	適応電線 APPLICABLE WIRE	寸法 / DIMENSION						
			A	B	C	D	E	F	
560205-0102	S	CIVUS, AVSS, AVSSH, AESSX, IVSSH, FLRYW-B	0.5 (f)	(2.2)	2.4	R0.5	(2.45)	2.94	R0.7
560205-0103	M	CIVUS, AVSS	0.75, 1.25, 0.85, 1.25	(2.8)	2.73	R0.7	(2.73)	3.46	R0.9
560205-0101	L	AVSSH, AESSX, IVSSH, FLRYW-B	0.75f, 1.25f, 0.75	(2.8)	2.73	R0.7	(3.2)	3.94	R0.95

SYMBOLS DIMENSION UNITS SCALE	THIS DRAWING CONTAINS INFORMATION THAT IS PROPRIETARY TO MOLEX ELECTRONIC TECHNOLOGIES, LLC AND SHOULD NOT BE USED WITHOUT WRITTEN PERMISSION		CURRENT REV DESC:							
	mm	5:1							EC NO: 603294	
	GENERAL TOLERANCES (UNLESS SPECIFIED)								DRWN: GABE 2018/07/03	
	ANGULAR TOL								CHK'D: TIIDA01 2018/08/23	
▽ = 0	4 PLACES	APPR: TOSADA 2018/08/23		PRODUCT CUSTOMER DRAWING						
▽ = 0	3 PLACES	INITIAL REVISION:		DOCUMENT NUMBER						
▽ = 0	2 PLACES	DRWN: TIIDA01 2014/06/04		SD-560205-001						
▽ = 0	1 PLACE	APPR: MAYAMAMOTO 2015/11/09		DOC TYPE DOC PART REVISION						
□ = 0	0 PLACES	DRAFT WHERE APPLICABLE MUST REMAIN WITHIN DIMENSIONS		PSD 001 C						
⊙ = 0	THIRD ANGLE PROJECTION	DRAWING		SHEET NUMBER						
⊙ = 0		A3-SIZE		1 OF 1						