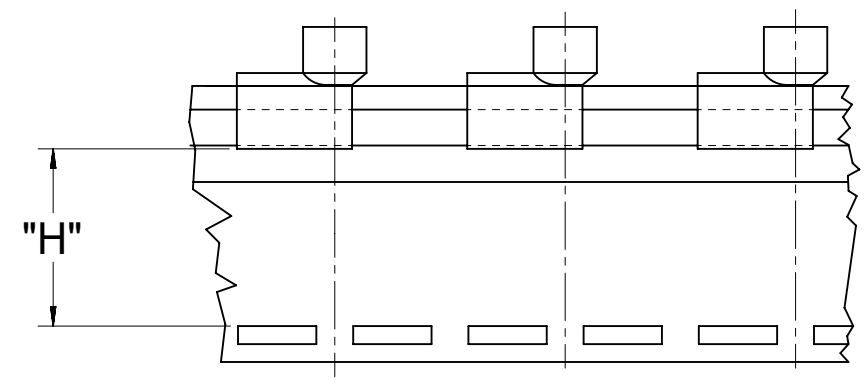
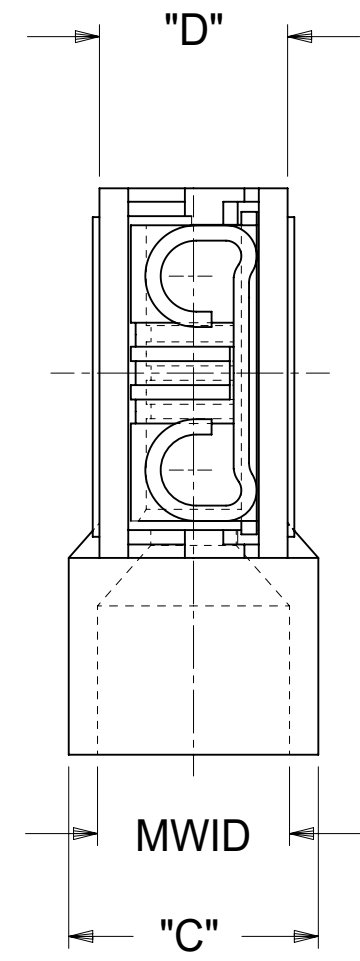
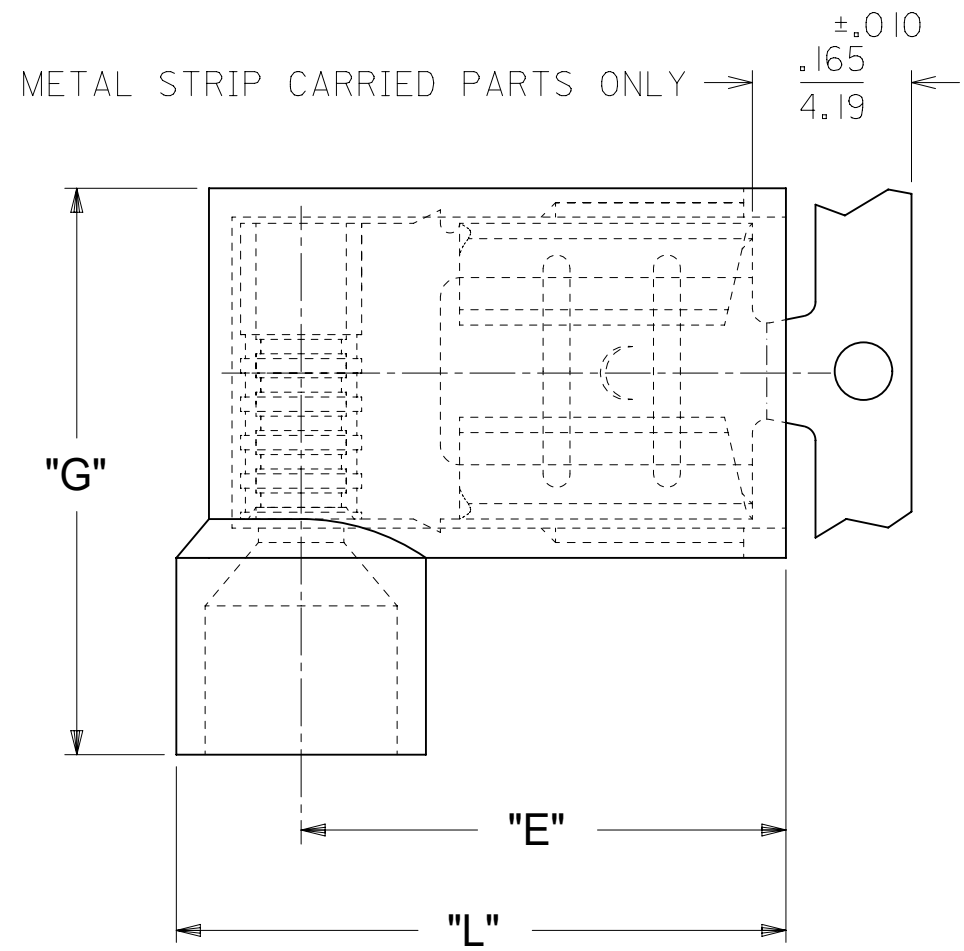


LOOSE PIECE		METAL STRIP CARRIED		MYLAR TAPE CARRIED		FEATURES			DIMENSIONS						
MATERIAL NUMBER	ENGINEERING NUMBER	MATERIAL NUMBER	ENGINEERING NUMBER	MATERIAL NUMBER	ENGINEERING NUMBER	AWG	COLOR	FITS TAB SIZE	MWID	L ± .015 / 0.38	G ± .015 / 0.38	E ± .015 / 0.38	C ± .015 / 0.38	D ± .015 / 0.38	H ± .02 / 0.5
190070001	AA-2220	190070008	AA-2220Z	190070004	AA-2220T	22-18	RED	.250x.032/6.35x0.81	.176/4.47	.630/16.00	.585/14.86	.512/13.00	.236/5.99	.197/5.00	.93/23.6
190070021	BB-2221	190070028	BB-2221Z	190070024	BB-2221T	16-14	BLUE	.250x.032/6.35x0.81	.200/5.08	.630/16.00	.585/14.86	.500/12.70	.260/6.60	.197/5.00	.93/23.6
190070040	C-2211	190070041	C-2211Z	190070053	C-2211T	12-10	YELLOW	.250x.032/6.35x0.81	.260/6.60	.667/16.93	.677/17.20	.511/12.98	.311/7.90	.246/6.25	.97/24.6



NOTE(S):
 1. MWID = MAX. WIRE INSULATION DIA.
 2. MATERIAL:
 HOUSING: NYLON
 TERMINAL: TIN-PLATED BRASS
 3. ASSEMBLY IS RoHS COMPLIANT.

(D1)

THIS DRAWING CONTAINS INFORMATION THAT IS PROPRIETARY TO MOLEX ELECTRONIC TECHNOLOGIES, LLC AND SHOULD NOT BE USED WITHOUT WRITTEN PERMISSION											
DIMENSION UNITS INCH/MM		SCALE 5:1		CURRENT REV DESC: REMOVE STOP SIGN INFO "PRE-RELEASE REFERENCE USE ONLY"				molex			
GENERAL TOLERANCES (UNLESS SPECIFIED)				EC NO: 692915							
				DRWN: DMYRICK 2022/01/20				FLAG QUICK DISCONNECT, FULLY INSULATED, .250 X .032 TAB SIZE			
4 PLACES ±				CHK'D: JMACNEIL 2022/01/21				PRODUCT CUSTOMER DRAWING			
3 PLACES ±		± 0.005		APPR: JMACNEIL 2022/01/21				DOCUMENT NUMBER			
2 PLACES ±		± 0.13 ± 0.01		INITIAL REVISION:				SD-19007-004		DOC TYPE	
1 PLACE ±		±		DRWN: EHILE 2006/12/15				PSD		DOC PART	
0 PLACES ±		±		APPR: JMACNEIL 2006/12/15				001		REVISION	
ANGULAR TOL ± 0.5°				THIRD ANGLE PROJECTION				D1			
DRAFT WHERE APPLICABLE MUST REMAIN WITHIN DIMENSIONS		THIRD ANGLE PROJECTION		DRAWING		SERIES		MATERIAL NUMBER		CUSTOMER	
		B-SIZE		19007		SEE TABLE		GENERAL MARKET		SHEET NUMBER	
										1 OF 1	

DOCUMENT STATUS	P1	RELEASE DATE	2022/01/21	17:18:54
-----------------	----	--------------	------------	----------