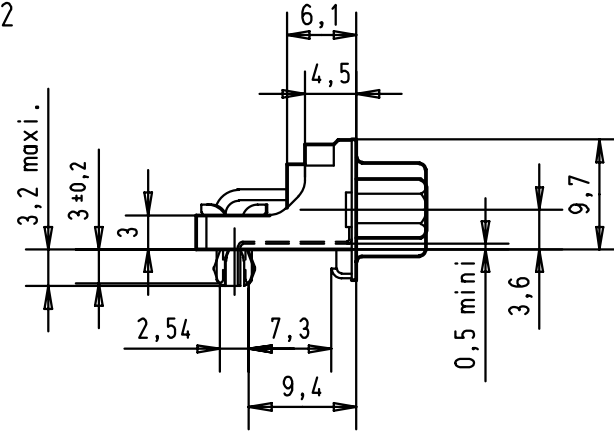
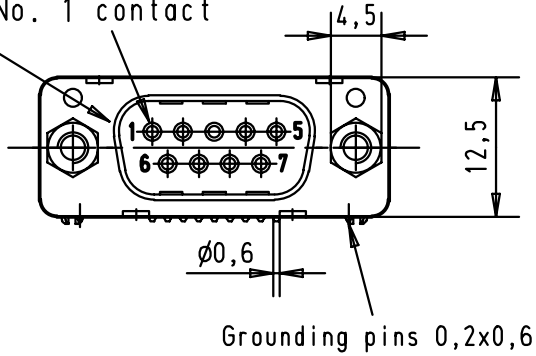


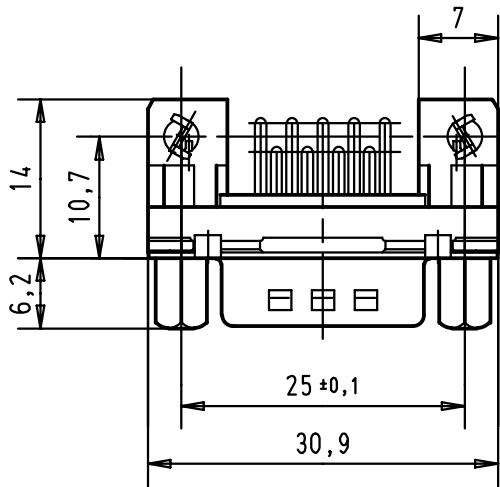
5 4 3 2 1

Mating face according to MIL-C-24308 / DIN 41 652 / CECC 75301-802

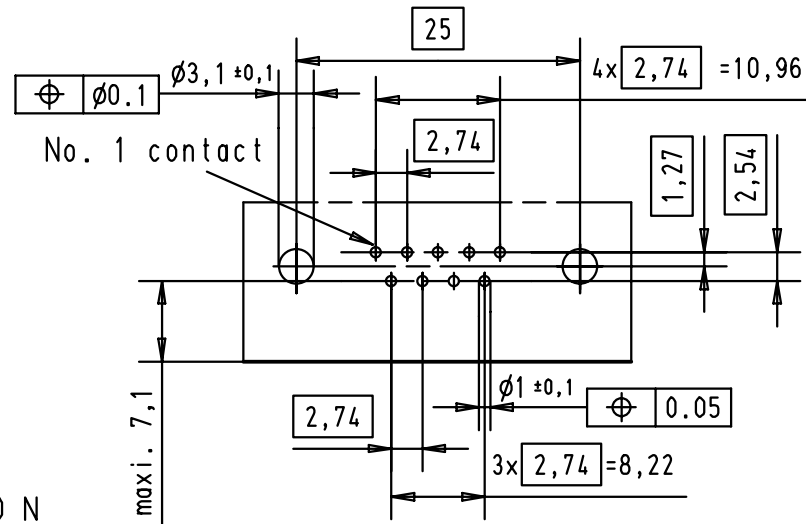
No. 1 contact



Printed board layout (1,6±0,2 thick)
View component side
(PCB plating = Tin)



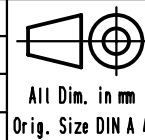
Mounting force on Printed board : 25 - 80 N



A

09 66 162 6817	4-40 UNC	2			
09 66 162 7817	4-40 UNC	3	29749	14-FEB-02	JB
09 66 162 5817	4-40 UNC	0,76 µm Au	29733	23-NOV-01	JB
Part number	screw-lock	Performance level	Mod.	Dat.	Name

	Dat.	Name
Detail.	23-NOV-01	JB
Insp.		
Stand.		
HARTING EURL F-95972 Paris		



D-Sub male low profile 9 poles with solder pins, screw-lock, board lock and grounding pins	Maßstab/ Scale
TB 09 66 162 X81x	1,5:1
Sub.	Blatt/ Page 5