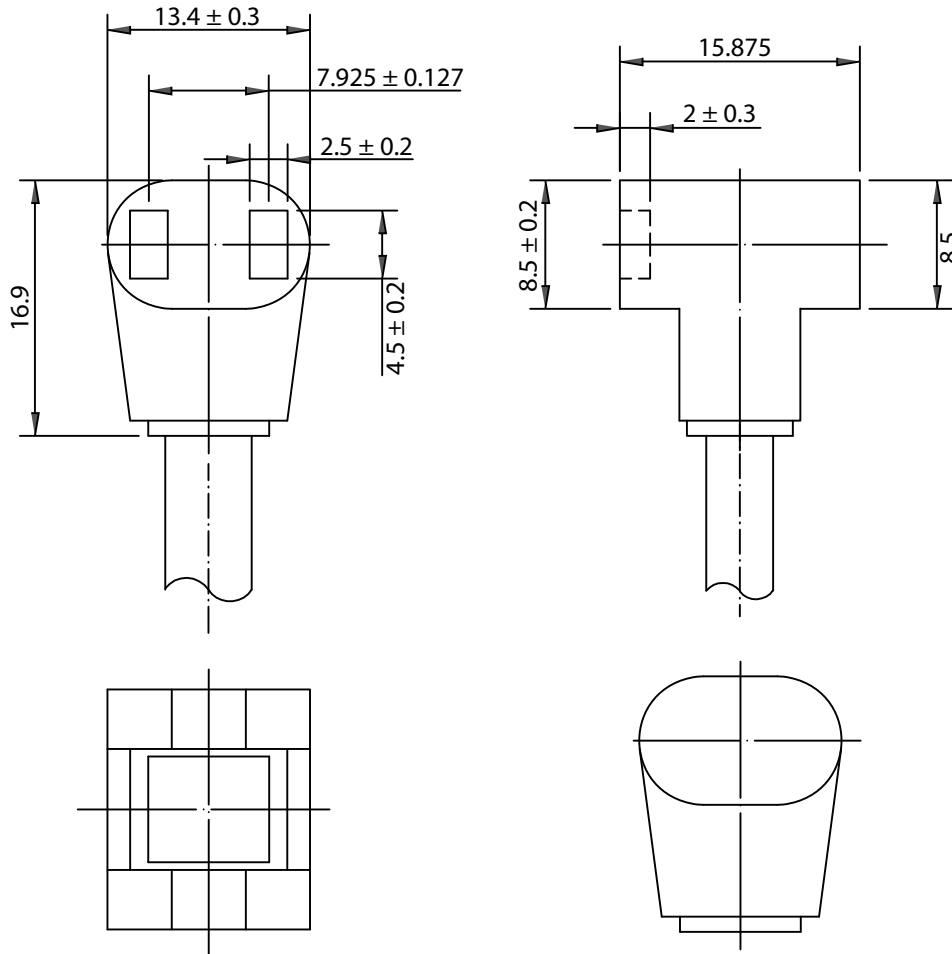


THESE DRAWINGS ARE THE PROPERTY OF QUALTEK ELECTRONICS AND NOT TO BE REPRODUCED FOR OR COMMUNICATED TO A THIRD PARTY WITHOUT THE EXPRESS WRITTEN PERMISSION OF AN OFFICER OF QUALTEK ELECTRONICS.

| REVISION |                        |          |          |
|----------|------------------------|----------|----------|
| REV.     | DESCRIPTION            | DATE     | APPROVED |
| B        | RoHS Compliancy        | 06-01-06 | DP       |
| C        | Updated Specifications | 09-18-08 | LY       |
| D        | Added 250V Rating      | 04-18-22 | LY       |



NOTES:

1. RATING: 10A 125VAC/5A 250VAC
2. CORDAGE: SPT-1, 18/2, 105°C, 300V
3. CORD LENGTH: 1270mm ± 50mm
4. TERMINATION: BLUNT CUT
5. APPROVALS: UL, cUL
6. RoHS COMPLIANT

**CONTROLLED**

| Dim range (mm) | Tolerance +/- (mm) | Qualtek Electronics Corp.<br>FAN-S DIVISION |                |                 |
|----------------|--------------------|---|----------------|-----------------|
|                |                    | Part Number: 07199-50                       | RoHS Compliant |                 |
| 0-1            | 0.15               | Description: MOLDED FAN CORD FEMALE T       |                |                 |
| 1-6            | 0.20               |   |                |                 |
| 6-18           | 0.30               |   |                |                 |
| 18-50          | 0.50               |   |                |                 |
| 50-120         | 0.70               |   |                |                 |
| 120-250        | 0.90               |   |                |                 |
| 250-500        | 1.20               |   |                |                 |
|                |                    | UNIT: mm                                    | REV: D         |                 |
|                |                    | Drawn / Date                                | Checked / Date | Approved / Date |
|                |                    | K.Huang<br>08-21-98                         | 08-21-98       | JJH / 08-21-98  |