

5

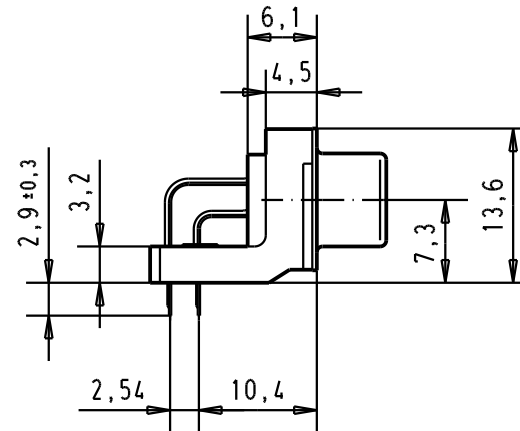
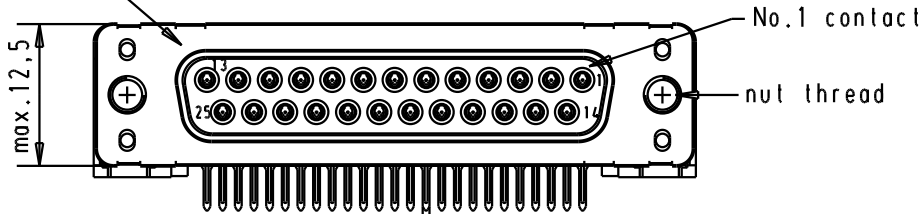
4

3

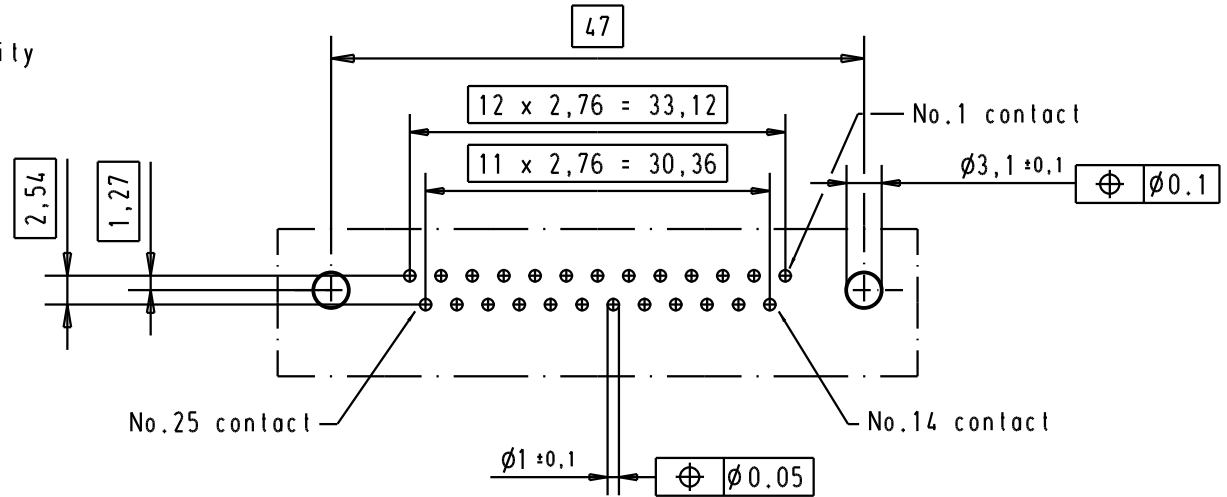
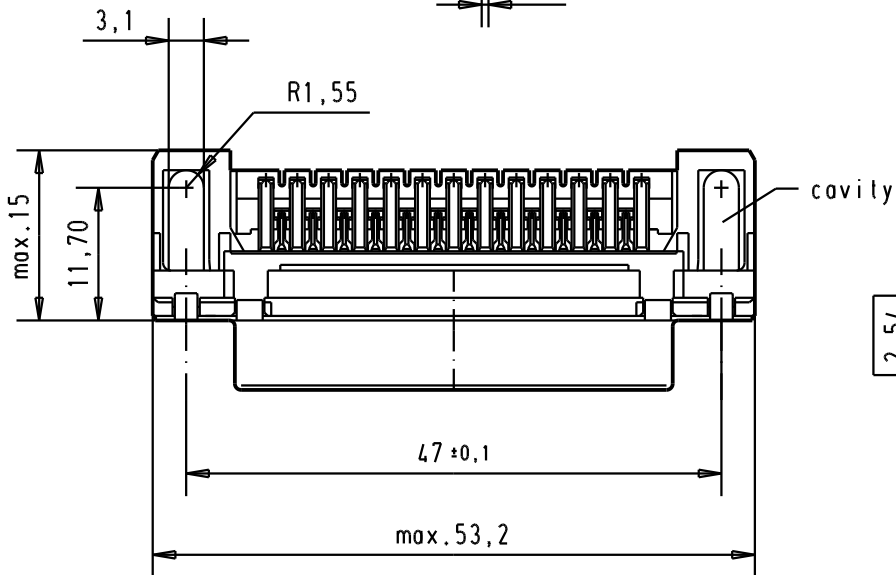
2

1

Mating face according to : MIL-C-24308 / DIN 41652 / CECC 75301-802



Printed board layout component side



09 66 312 3601

M 3

1

09 66 312 6601

M 3

2

09 66 312 7601

M 3

3

09 66 312 3602

4-40 UNC

1

31892

05/05/04

JH

09 66 312 6602

4-40 UNC

2

29773

18-APR-02 CV

09 66 312 7602

4-40 UNC

3

27960

28/nov/00 ALSPLACE

Part number

Nut thread

Performance level

Mod.

Dat.

Name

HARTING EURL
F-95972 Paris



Dat.

Name

Detail.

28/nov/00

ALSPACE

Insp.

Stand.



All Dim. in mm
Orig. Size DIN A 4

D-Sub 25 poles standard angle female, solder pin with nut and hole

Moßstab/
Scale

1.5:1

TB 0966312x60x

Sub.

Blatt/ Page

2

D

C

B

A