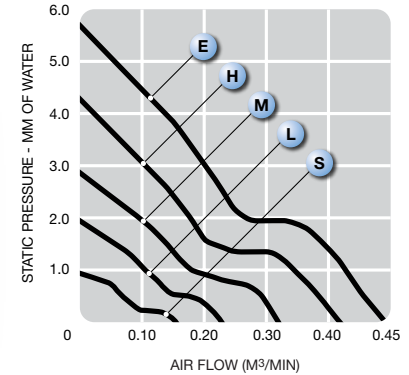
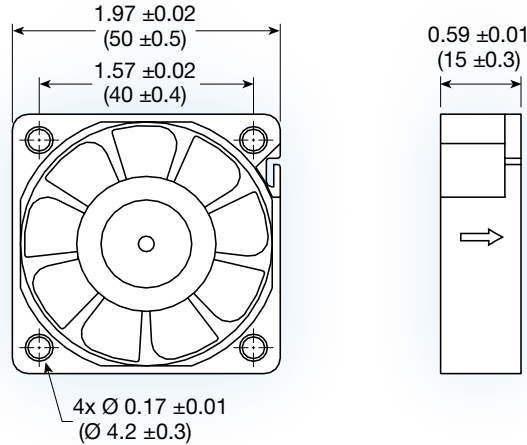


## G5015 series

**(50 x 50 x 15 mm)**

1.97 x 1.97 x 0.59 inches

Construction: UL94V-0 PBT impeller &amp; frame

Bearing option: ball bearing

Connection: AWG 26, UL1061 lead wires

Frame: ribbed

Protection: thermal

Options: tachometer output or locked rotor alarm signal; PWM speed control

Model No.	Rated Voltage V	Current mA			Speed RPM	Air Volume		Max. Static Pressure (H <sub>2</sub> O)		Sound Noise dBa	Weight g
		5	12	24		M <sup>3</sup> /Min.	CFM	MM	INCH		
<b>G5015S</b>	5/12/24	150	80	70	2,500	0.15	5.00	0.92	0.04	20	35
<b>G5015L</b>	5/12/24	220	130	100	3,500	0.22	8.00	1.94	0.08	22	35
<b>G5015M</b>	5/12/24	300	200	140	4,500	0.31	11.00	2.86	0.11	24	35
<b>G5015H</b>	5/12/24	400	280	180	5,500	0.37	13.00	4.29	0.17	29	35
<b>G5015E</b>	12/24	-	400	250	6,500	0.44	16.00	5.71	0.22	34	35