

Cable Assembly

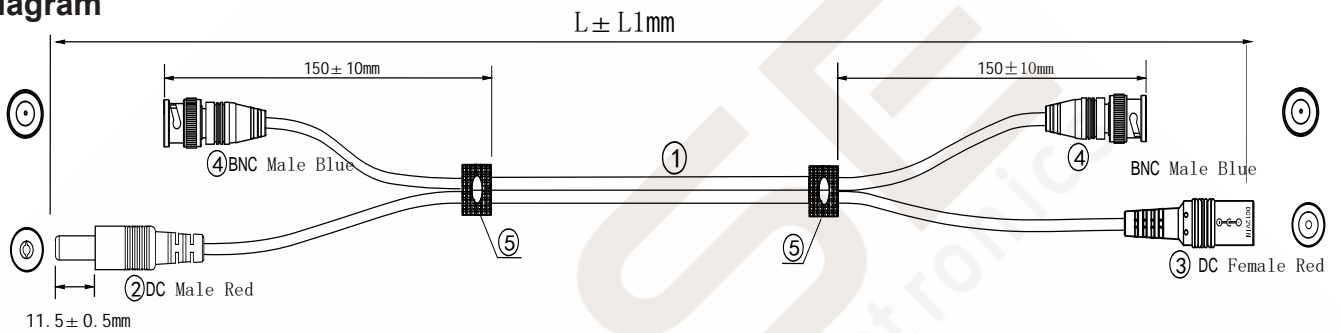
Video Power Extension Cable



Specifications

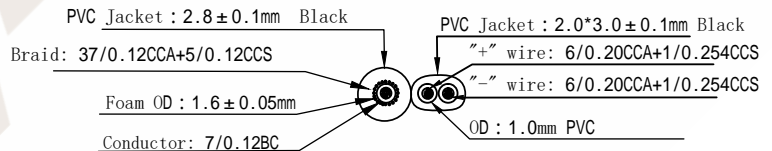
Cable Length : 60ft, 100ft, 150ft, 200ft
 Connector Type A : BNC (M) + DC (M)
 Connector Type B : BNC (M) + DC (F)

Diagram



Part Number	L ± L1 mm
M1801BD	18288 ± 20 mm
M3101BD	30480 ± 20 mm
M5001BD	45720 ± 20 mm
M6101BD	60960 ± 20 mm

Cable Structure :



Dimensions : Millimeter

1. Cable

[(7/0.12BC) * 1P+OD1.6mm FOAM] * 1+(6/0.20CCA+1/0.254CCS) * 2C + BRAID(37/0.12CCA+5/0.12CCS) Black PVC Jacket, O.D: 3.8mm * 2.8mm ± 0.1mm

2. Connector Type A

BNC Male
 Soldering
 Blue PVC Jacket
 Brass Plated Pin

Cable Assembly

Video Power Extension Cable

3. Connector Type B

2.1mm*5.5mm DC Male/Female

Soldering

Red PVC Jacket

4. Inner Molded

LDPE

5. Outer Molded

45P PVC, Black

Part Number Table

Description	Part Number
60 ft. Video Power Extension Cable	M1801BD
100 ft. Video Power Extension Cable	M3101BD
150 ft. Video Power Extension Cable	M5001BD
200 ft. Video Power Extension Cable	M6101BD

Important Notice : This data sheet and its contents (the "Information") belong to the members of the EASE group of companies (the "Group") or are licensed to it. No licence is granted for the use of it other than for information purposes in connection with the products to which it relates. No licence of any intellectual property rights is granted. The Information is subject to change without notice and replaces all data sheets previously supplied. The Information supplied is believed to be accurate but the Group assumes no responsibility for its accuracy or completeness, any error in or omission from it or for any use made of it. Users of this data sheet should check for themselves the Information and the suitability of the products for their purpose and not make any assumptions based on information included or omitted. Liability for loss or damage resulting from any reliance on the Information or use of it (including liability resulting from negligence or where the Group was aware of the possibility of such loss or damage arising) is excluded. This will not operate to limit or restrict the Group's liability for death or personal injury resulting from its negligence. EASE is the registered trademark of Ease Electronics Co., Limited 2019.