



PACC Clips for Corrugated Conduit

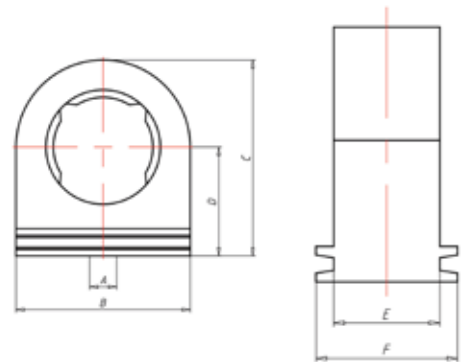
Conduit Clips clamp onto corrugated conduits and tubing to secure. Nylon material resists corrosion and chemicals. Can also be used on C-shaped DIN rails.



Conduit Size		Euro Size	HellermannTyton Part Number	Manufacturer Reference Number	Dimensions												Pull Off (N)*	Pull Through (N)*
					A (Fixing Diameter)		B		C		D		E		F			
IN.	MM	(NW)			in.	mm	in.	mm	in.	mm	in.	mm	in.	mm	in.	mm		
3/8	16	12	PACC0380	FCL16	0.1968	M5	1.02	26	1.18	30	0.67	17	0.47	12	0.79	20	500	100
1/2	21	17	PACC0500	FCL21	0.2362	M6	1.26	32	1.42	36	0.79	20	0.59	15	0.79	20	600	200
3/4	28	23	PACC0750	FCL28	0.2362	M6	1.61	41	1.77	45	0.94	24	0.59	15	0.79	20	700	350
1.00	34	29	PACC1000	FCL34	0.2362	M6	1.89	48	2.01	51	1.06	27	0.59	15	0.79	20	800	500
1.25	42	36	PACC1250	FCL42	0.2362	M6	2.24	57	2.36	60	1.22	31	0.59	15	0.79	20	1000	500
1.50	54	48	PACC1500	FCL54	0.2362	M6	2.76	70	2.83	72	1.46	37	0.59	15	0.79	20	1200	500

*N = Newtons with HG-SW (FPAS) Conduit

Technical Properties and Performance	
Property	Rating
Material	Nylon PA66
Application	Suitable for fixing corrugated conduits. Internal rib secures conduit from slipping.
IP (Ingress Protection) rating	NA
Temperature Range	-50°C to +135°C
Color	Black
Thread Pattern	NA
Supplied with neoprene face seal washer	No
Suitable for fine or coarse pitch conduits	Yes
UL Recognized (File E229161)	No
UL Listed (File No. E247502)	No
UV Resistant	Yes
Halogen, Sulphur and Phosphorous free	Yes
Anti vibration and Tamper Resistant (EN 61373 Cat 2)	Yes
Flammability: UL 94	NA
Country of Origin	United Kingdom



Warranty Policy HellermannTyton products are warranted to be free from defects in material and workmanship at the time sold by us; but our obligation under this warranty and that of the seller is limited to the replacement of the product, and neither we nor the seller are bound by any other warranty, expressed, implied or statutory. Under no circumstances are we or the seller liable for any loss, damage, expenses or consequential damages of any kind arising out of the use or inability to use these products. All are sold with the understanding that the user will test them in actual use and determine their adaptability for the intended uses. Every effort is made to ensure accuracy and completeness when describing the technical properties of these products.