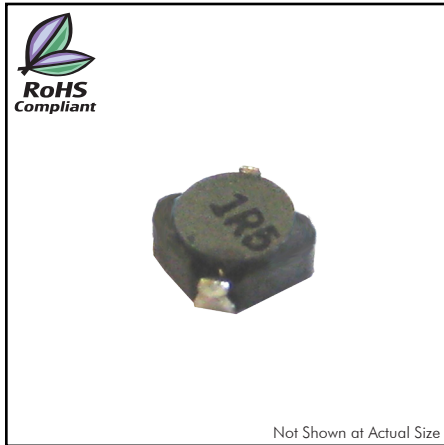


## CTCDRH2D14F Series

From 1.5 $\mu$ H to 12 $\mu$ H



Not Shown at Actual Size

### CHARACTERISTICS

**Description:** SMD (shielded) power inductor.

**Applications:** Power supplies for VTR, OA equipment, LCD televisions, PC notebooks, portable communication equipment, DC/DC converters, etc.

**Operating Temperature:** -30°C to +100°C

**Rated DC Current:** The rated current indicates the current when the inductance decreases to 65% over its nominal or D.C. current when the temperature rising  $\Delta T=40^{\circ}\text{C}$  lower, whichever is lower

**Testing:** Tested on a HP4285A at 100KHz, 0.25Vrms, 0A dc.

**Packaging:** Tape & Reel.

**Marking:** Parts are marked with inductance code

**Miscellaneous:** RoHS Compliant.

**Additional Information:** Additional electrical & physical information available upon request.

**Samples available. See website for ordering information.**

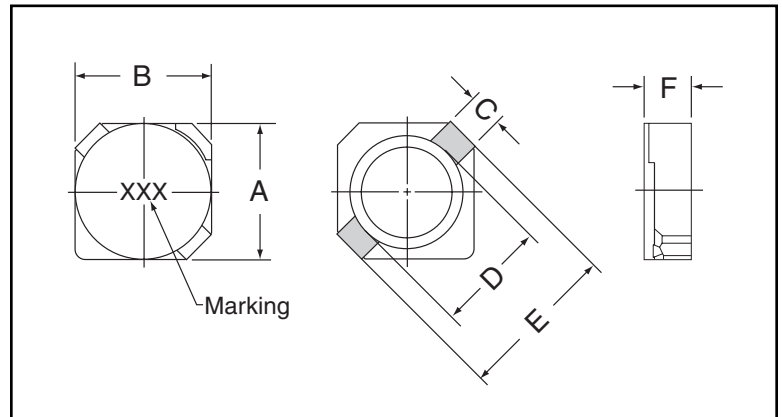
### SPECIFICATIONS

Parts are available in  $\pm 30\%$  tolerance only.

Part Number	Inductance ( $\mu\text{H}$ )	Test Freq. (KHz)	DCR Max. ( $\text{m}\Omega$ )	Rated DC Current (A)	Temp. Rise Current Typ. (A)
CTCDRH2D14F-1R5N	1.5	100	63	1.80	1.80
CTCDRH2D14F-1R8N	1.8	100	75	1.65	1.80
CTCDRH2D14F-2R2N	2.2	100	114	1.50	1.50
CTCDRH2D14F-2R7N	2.7	100	116	1.35	1.40
CTCDRH2D14F-3R3N	3.3	100	158	1.20	1.24
CTCDRH2D14F-3R9N	3.9	100	205	1.10	1.12
CTCDRH2D14F-4R7N	4.7	100	238	1.00	1.00
CTCDRH2D14F-5R6N	5.6	100	256	0.95	0.98
CTCDRH2D14F-6R8N	6.8	100	282	0.85	0.92
CTCDRH2D14F-8R2N	8.2	100	307	0.80	0.80
CTCDRH2D14F-100N	10	100	338	0.70	0.76
CTCDRH2D14F-120N	12	100	470	0.62	0.64

### PHYSICAL DIMENSIONS

Size	A Max.	B Max.	C	D	E	F Max.
mm	3.2	3.2	1.0	2.1	3.3	1.55
inches	0.126	0.126	0.04	0.08	0.130	0.061



### PAD LAYOUT

Unit: mm

