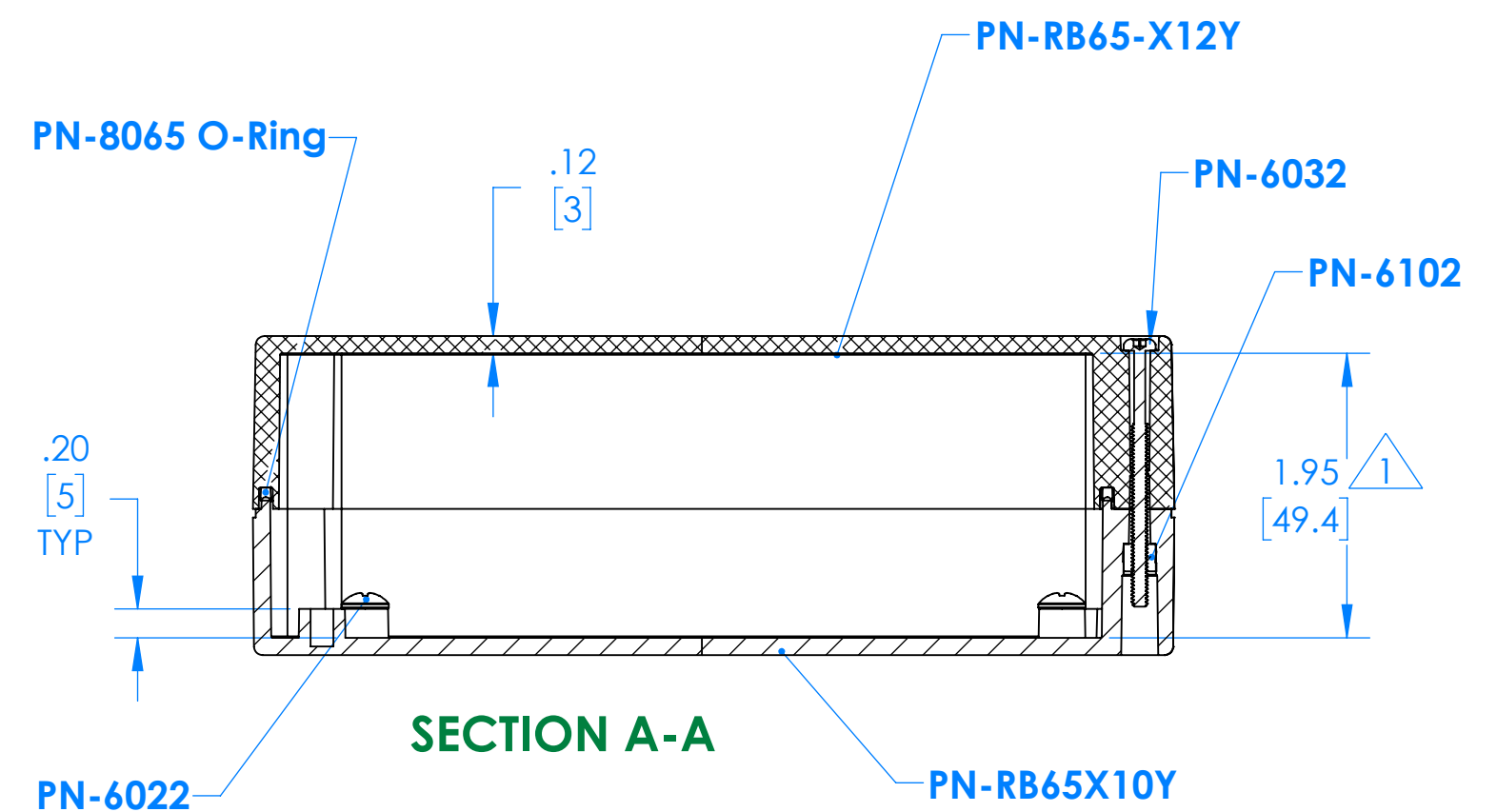
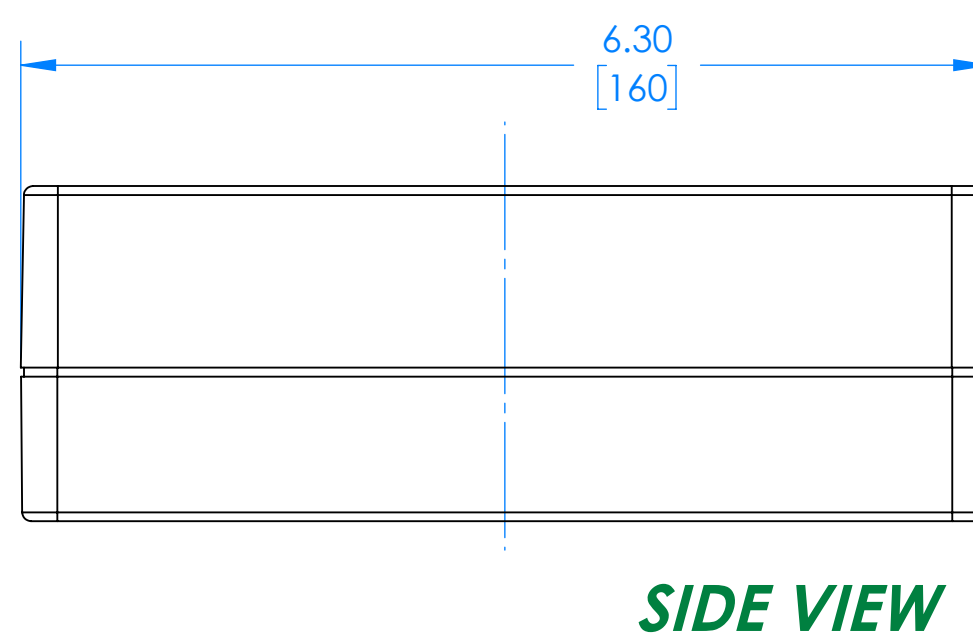
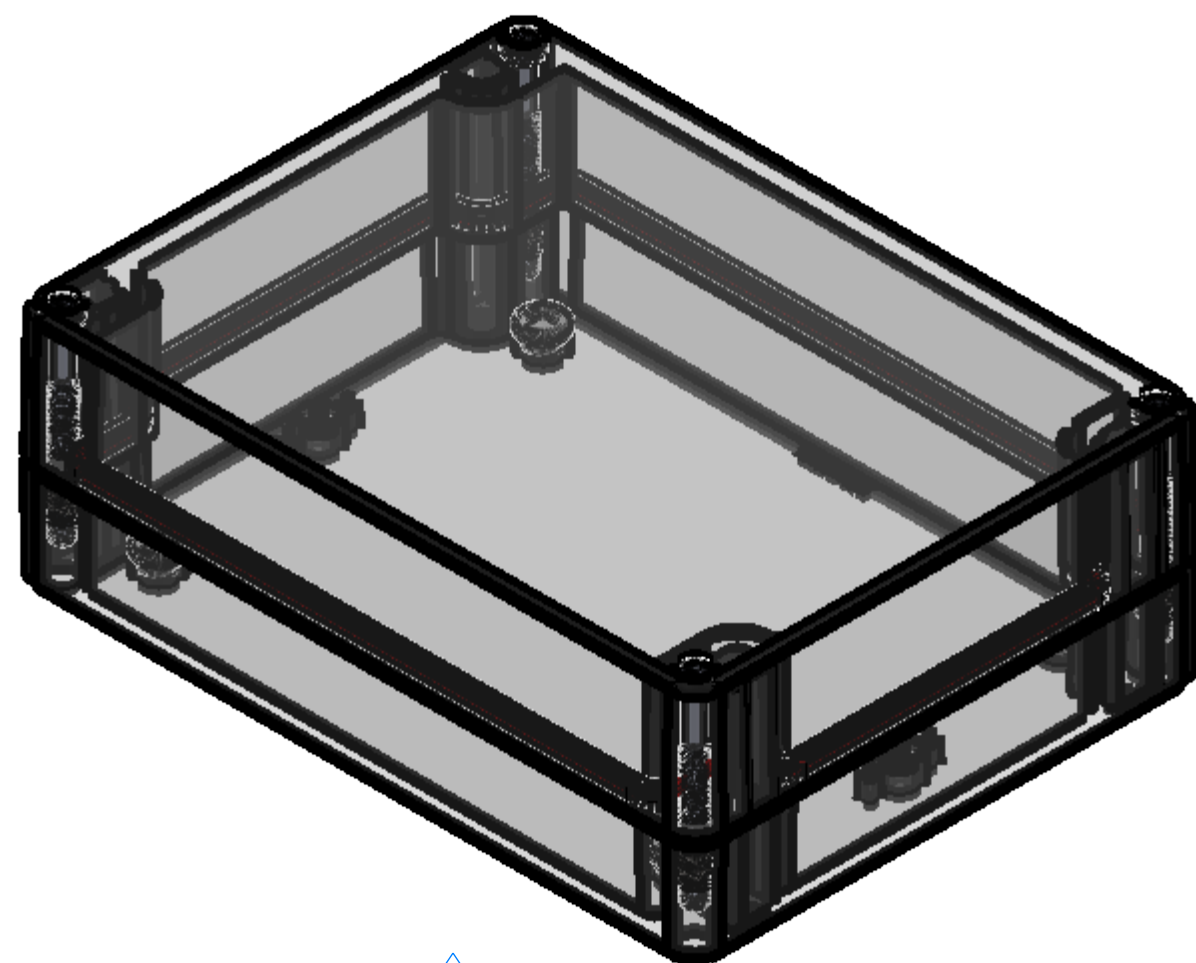
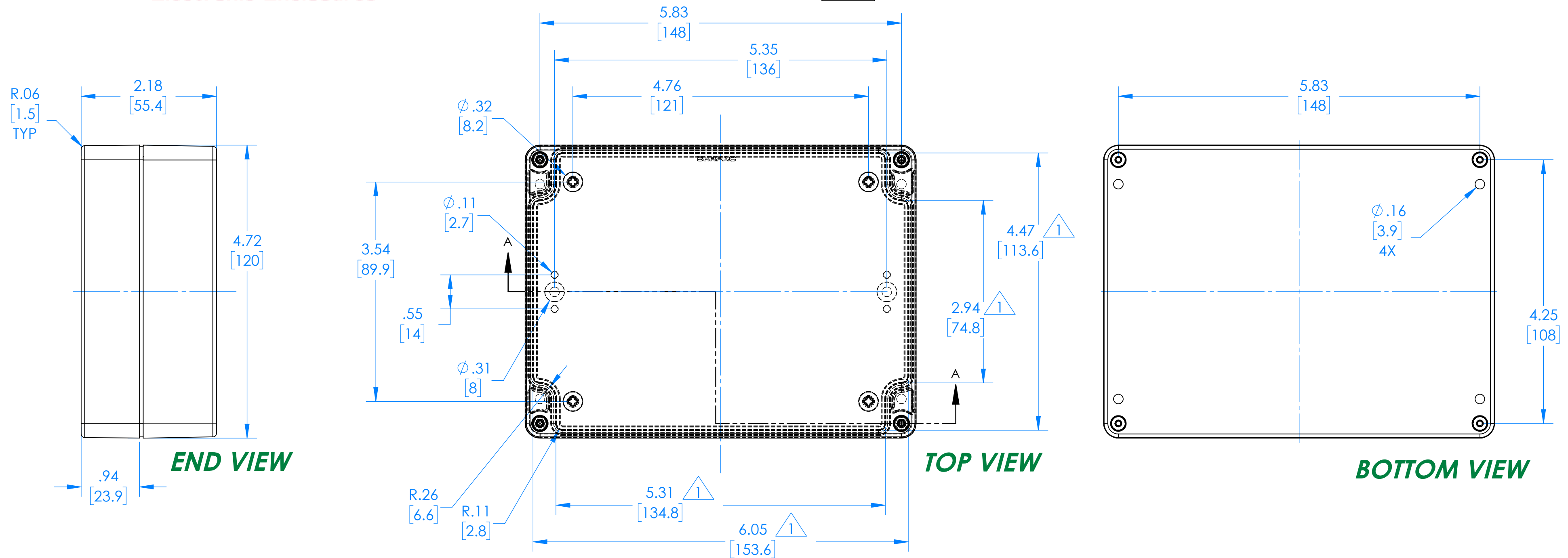


SERPAC RB65X12Y10Y 2

Electronic Enclosures



RB65X12C20C 2
 (Part shown, no material (X) specified)

PN	Description
RB65-X12Y	(1) RB65-X06Y Top
RB65X10Y	(1) RB65X10Y Bottom
8065	(1) RB65 O-Ring
6032	(4) #4-40 Torx 10 Hd Screw x 1.75
6022	(4) #10 High/Low Pan Hd x 1/4"
6102	(4) #4-40 Threaded Insert

1 = INTERIOR DIMENSIONS (@ BOTTOM)
2 = STANDARD COLORS (Y) ARE: BLACK (B), CLEAR (C) AND GRAY (G)
 TOPS AND BOTTOMS ALL POSSIBLE COMBINATIONS AVAILABLE
 STANDARD MATERIALS (X) IS: POLYCARBONATE (P)

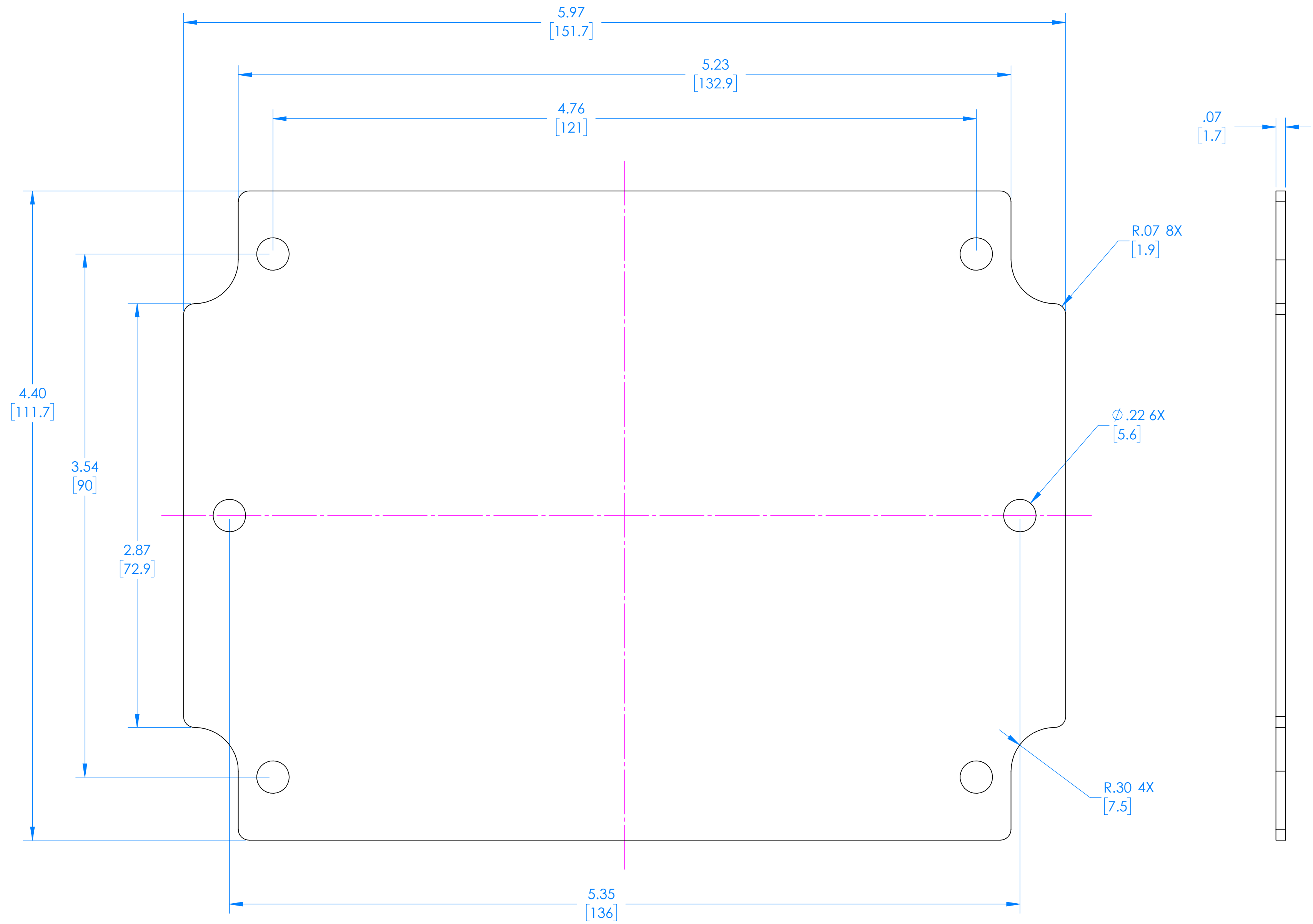
-Watertight enclosure meets or exceeds Nema 4 and or IP67.

DIMENSIONS in Inch [mm]

ALL DIMENSIONS ARE ± .010"
 2009 Wright Ave., La Verne, Ca. 91750
 Ph. (626) 331-0517 Fx. (626) 331-8584 serpac.com

6/28/2021

RB65 Circuit Board (Fits all Parts starting with RB65)



(REFERENCE ONLY)