

9XXX Series

T-43-15

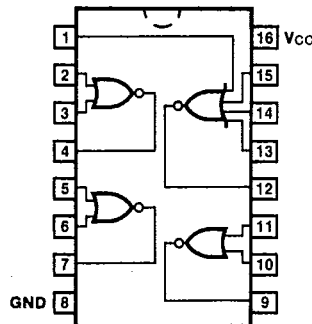
9015
QUAD NOR GATE

DESCRIPTION — The 9015 consists of three 2-input and one 4-input NOR gates. The NOR gate produces a LOW output if any of the inputs are HIGH.

ORDERING CODE: See Section 9

PKGS	PIN OUT	COMMERCIAL GRADE	MILITARY GRADE	PKG TYPE
		$V_{CC} = +5.0\text{ V} \pm 5\%$, $T_A = 0^\circ\text{C to } +75^\circ\text{C}$	$V_{CC} = +5.0\text{ V} \pm 10\%$, $T_A = -55^\circ\text{C to } +125^\circ\text{C}$	
Ceramic DIP (D)	A	9015DC	9015DM	6B
Flatpak (F)	A	9015FC	9015FM	4L

CONNECTION DIAGRAM
PINOUT A



INPUT LOADING/FAN-OUT: See Section 3 for U.L. definitions

PINS	9XXX (U.L.) HIGH/LOW
Inputs	1.5/1.0
Outputs	30/8.8 (33)/(8.5)

DC AND AC CHARACTERISTICS OVER COMMERCIAL TEMPERATURE RANGE: $V_{CC} = +5.0\text{ V} \pm 5\%$

SYMBOL	PARAMETER	0°C		25°C		75°C		UNITS	CONDITIONS
		Min	Max	Min	Max	Min	Max		
V_{IH}	Input HIGH Voltage	1.9		1.8		1.6		V	Guaranteed Input HIGH Threshold
V_{IL}	Input LOW Voltage		0.85		0.85		0.85	V	Guaranteed Input LOW Threshold
V_{OH}	Output HIGH Voltage	2.4		2.4		2.4		V	$V_{CC} = 4.75\text{ V}$, $I_{OH} = -1.2\text{ mA}$, Inputs = V_{IL}
V_{OL}	Output LOW Voltage		0.45		0.45		0.45	V	$V_{CC} = 5.25\text{ V}$, $I_{OL} = 16\text{ mA}$, Inputs = 5.25 V
			0.45		0.45		0.45		$V_{CC} = 4.75\text{ V}$, $I_{OL} = 14.1\text{ mA}$, Inputs = V_{IH}

T-43-15

9XXX Series

DC AND AC CHARACTERISTICS OVER COMMERCIAL TEMPERATURE RANGE (Cont'd)

SYMBOL	PARAMETER	0°C		25°C		75°C		UNITS	CONDITIONS	
		Min	Max	Min	Max	Min	Max			
I _{IL}	Input LOW Current	-1.6		-1.6		-1.6		mA	V _{CC} = 5.25 V, V _{IN} = .45 V 5.25 V on Other Inputs	
		-1.41		-1.41		-1.41		mA	V _{CC} = 4.75 V, V _{IN} = .45 V 5.25 V on Other Inputs	
I _{CC}	Power Supply Current, each gate	ON	6.55		6.55		6.55		mA	Inputs HIGH
			8.75		8.75		8.75			Inputs HIGH (4-Input Gate Only)
		OFF	3.38		3.38		3.38		mA	Inputs LOW
			6.77		6.77		6.77			Inputs LOW (4-Input Gate Only)
t _{PLH} t _{PHL}	Propagation Delay			3.0	13			ns	C _L = 15 pF Fig. 3-4	

DC AND AC CHARACTERISTICS OVER MILITARY TEMPERATURE RANGE: V_{CC} = +5.0 V ±10%

SYMBOL	PARAMETER	-55°		25°C		125°C		UNITS	CONDITIONS	
		Min	Max	Min	Max	Min	Max			
V _{IH}	Input HIGH Voltage	2.0		1.7		1.4		V	Guaranteed Input HIGH Threshold	
V _{IL}	Input LOW Voltage	0.8		0.9		0.8		V	Guaranteed Input LOW Threshold	
V _{OH}	Output HIGH Voltage	2.4		2.4		2.4		V	V _{CC} = 4.5 V, I _{OH} = -1.32 mA, Inputs = V _{IL}	
V _{OL}	Output LOW Voltage	0.4		0.4		0.4		V	V _{CC} = 5.5 V, Inputs = 5.5 V, I _{OL} = 17.6 mA	
		0.4		0.4		0.4			V _{CC} = 4.5 V, V _{IN} = V _{IH} , I _{OL} = 13.6 mA	
I _{IL}	Input LOW Current	-1.6		-1.6		-1.6		mA	V _{CC} = 5.5 V, V _{IN} = 0.4 V 5.5 V on Other Inputs	
		-1.24		-1.24		-1.24		mA	V _{CC} = 4.5 V V _{IN} = 0.4 V 5.5 V on Other Inputs	
I _{CC}	Power Supply Current, each gate	ON	6.07		6.07		6.07		mA	Inputs HIGH
			8.14		8.14		8.14			Inputs HIGH (4-Input Gate Only)
		OFF	3.2		3.2		3.2		mA	Inputs LOW
			6.4		6.4		6.4			Inputs LOW (4-Input Gate Only)
t _{PLH} t _{PHL}	Propagation Delay			3.0	10			ns	C _L = 15 pF Fig. 3-4	

5