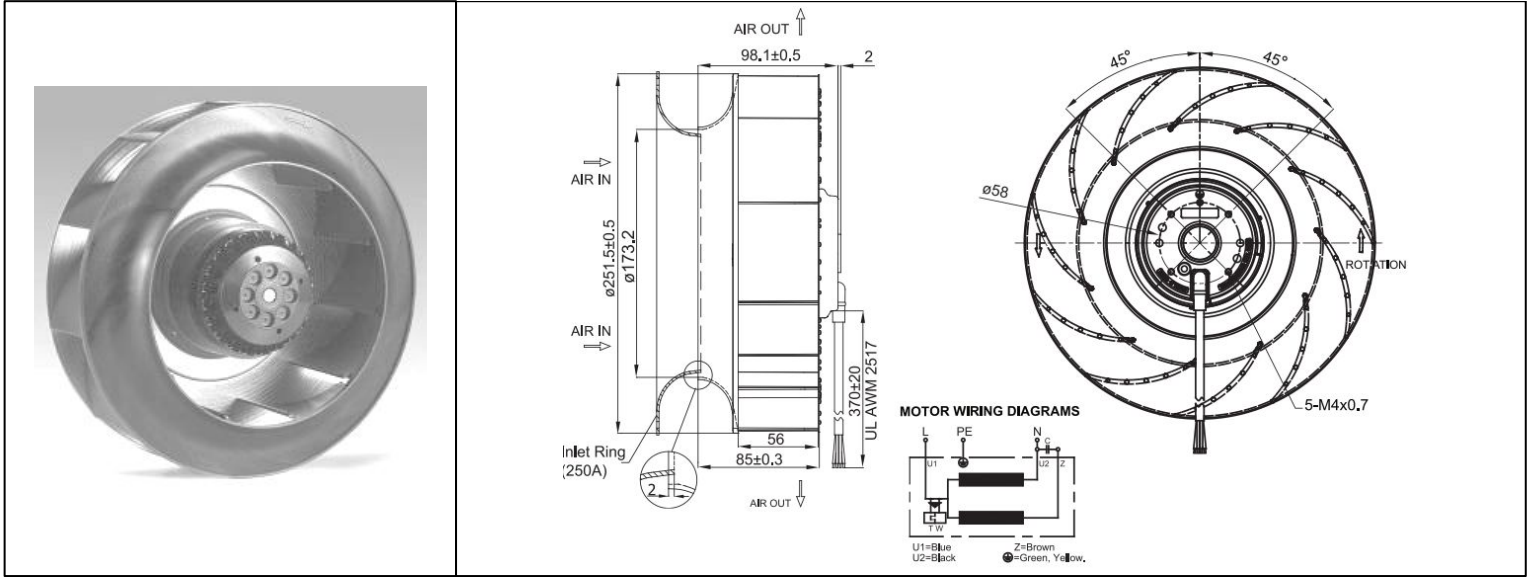


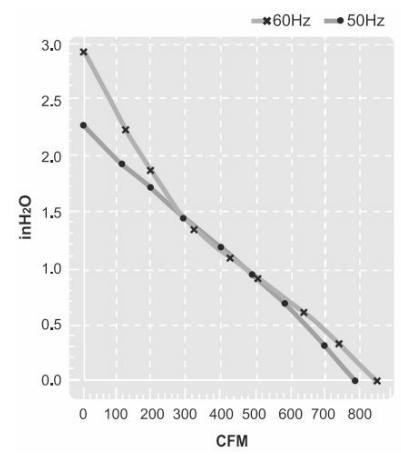
OAB250 Series



AC Centrifugal Blowers - 115, 230V
251.5mm x 98.2mm (9.90" x 3.87")



Frame	Die Cast Aluminum	Operating Temperature -40°C ~ +55°C Storage Temperature -40°C ~ +80°C Life Expectancy 40,000 Hours (L10 at 40°C) Installed Options IP55 Rated Motor Recommended Accessories Metal Duct Ring (DR250A) Weight: 4.37 lbs
Impeller	PA6, UL94 V-0 Plastic	
Connection	4x Wire Leads, 22 AWG UL 2517	
Motor	AC Induction Motor with included Capacitor, Thermally Protected, Class B Insulation, IP55	
Bearing System	Ball Bearings	
Dielectric Strength	1500VAC/Min, <1mA	
Insulation Resistance	≥100MΩ @ 500VAC/min	



Part Number	Rated Voltage (Volts AC)	Voltage Range (Volts AC)	Frequency (Hertz)	Rated Current (Amps)	Locked Current (Amps)	Input Power (Watts)	Rated Speed (RPM)	Max Airflow (CFM)	Noise Level (dBA)	Max Static Pressure ("H ₂ O)
OAB250-11-1	115	100 ~ 126	50 / 60	1.50 / 2.10	3.10 / 3.00	170 / 240	2600 / 2700	770 / 850	75 / 76	2.2 / 2.9
OAB250-22-1	230	200 ~ 250	50 / 60	0.77 / 1.00	1.57 / 1.52	170 / 240	2600 / 2700	770 / 850	75 / 76	2.2 / 2.9