



PSoC CY8CTMG20x, CY8CTMG20xA, CY8CTST200,  
CY8CTST200A TRM

# PSoC<sup>®</sup> CY8CTMG20x, CY8CTMG20xA, CY8CTST200, CY8CTST200A

## Technical Reference Manual (TRM)

Document No. 001-53603 Rev. \*C

**December 11, 2009**

Cypress Semiconductor  
198 Champion Court  
San Jose, CA 95134-1709  
Phone (USA): 800.858.1810  
Phone (Intl.): 408.943.2600

## Copyrights

© Cypress Semiconductor Corporation, 2009. The information contained herein is subject to change without notice. Cypress Semiconductor Corporation assumes no responsibility for the use of any circuitry other than circuitry embodied in a Cypress product. Nor does it convey or imply any license under patent or other rights. Cypress products are not warranted nor intended to be used for medical, life support, life saving, critical control or safety applications, unless pursuant to an express written agreement with Cypress. Furthermore, Cypress does not authorize its products for use as critical components in life-support systems where a malfunction or failure may reasonably be expected to result in significant injury to the user. The inclusion of Cypress products in life-support systems application implies that the manufacturer assumes all risk of such use and in doing so indemnifies Cypress against all charges.

PSoC® is a registered trademark and PSoC Designer™, TrueTouch™, and PSoC Express™ are trademarks of Cypress Semiconductor Corporation (Cypress), along with Cypress® and Cypress Semiconductor™. All other trademarks or registered trademarks referenced herein are the property of their respective owners.

Purchase of I<sup>2</sup>C components from Cypress or one of its sublicensed Associated Companies conveys a license under the Philips I<sup>2</sup>C Patent Rights to use these components in an I<sup>2</sup>C system, provided that the system conforms to the I<sup>2</sup>C Standard Specification as defined by Philips.

Any Source Code (software and/or firmware) is owned by Cypress Semiconductor Corporation (Cypress) and is protected by and subject to worldwide patent protection (United States and foreign), United States copyright laws and international treaty provisions. Cypress hereby grants to licensee a personal, non-exclusive, non-transferable license to copy, use, modify, create derivative works of, and compile the Cypress Source Code and derivative works for the sole purpose of creating custom software and or firmware in support of licensee product to be used only in conjunction with a Cypress integrated circuit as specified in the applicable agreement. Any reproduction, modification, translation, compilation, or representation of this Source Code except as specified above is prohibited without the express written permission of Cypress.

Disclaimer: CYPRESS MAKES NO WARRANTY OF ANY KIND, EXPRESS OR IMPLIED, WITH REGARD TO THIS MATERIAL, INCLUDING, BUT NOT LIMITED TO, THE IMPLIED WARRANTIES OF MERCHANTABILITY AND FITNESS FOR A PARTICULAR PURPOSE. Cypress reserves the right to make changes without further notice to the materials described herein. Cypress does not assume any liability arising out of the application or use of any product or circuit described herein. Cypress does not authorize its products for use as critical components in life-support systems where a malfunction or failure may reasonably be expected to result in significant injury to the user. The inclusion of Cypress' product in a life-support systems application implies that the manufacturer assumes all risk of such use and in doing so indemnifies Cypress against all charges.

Use may be limited by and subject to the applicable Cypress software license agreement.

### Flash Code Protection

Note the following details of the Flash code protection features on Cypress devices.

Cypress products meet the specifications contained in their particular Cypress Data Sheets. Cypress believes that its family of products is one of the most secure families of its kind on the market today, regardless of how they are used. There may be methods that can breach the code protection features. Any of these methods, to our knowledge, would be dishonest and possibly illegal. Neither Cypress nor any other semiconductor manufacturer can guarantee the security of their code. Code protection does not mean that we are guaranteeing the product as "unbreakable."

Cypress is willing to work with the customer who is concerned about the integrity of their code. Code protection is constantly evolving. We at Cypress are committed to continuously improving the code protection features of our products.

# Contents Overview



<b>Section A: Overview</b>	<b>13</b>
1. Pin Information .....	19
<b>Section B: PSoC Core</b>	<b>23</b>
2. CPU Core (M8C) .....	27
3. Supervisory ROM (SROM) .....	33
4. RAM Paging .....	39
5. Interrupt Controller .....	45
6. General Purpose I/O (GPIO) .....	55
7. Internal Main Oscillator (IMO) .....	63
8. Internal Low Speed Oscillator (ILO) .....	67
9. External Crystal Oscillator (ECO) .....	69
10. Sleep and Watchdog .....	73
<b>Section C: TrueTouch System</b>	<b>83</b>
11. TrueTouch Module .....	85
12. I/O Analog Multiplexer .....	99
13. Comparators .....	101
<b>Section D: System Resources</b>	<b>105</b>
14. Digital Clocks .....	109
15. I2C Slave .....	117
16. System Resets .....	135
17. POR and LVD .....	143
18. SPI .....	145
19. Programmable Timer .....	161
20. Full-Speed USB .....	165
<b>Section E: Registers</b>	<b>183</b>
21. Register Reference .....	187
<b>Section F: Glossary</b>	<b>287</b>
<b>Section F: Index</b>	<b>303</b>



# Contents



<b>Section A: Overview</b>	<b>13</b>
<b>1. Pin Information</b>	<b>19</b>
1.1 Pinouts.....	19
1.1.1 CY8CTMG200-16LGXI, CY8CTMG200A-16LGXI, CY8CTST200-16LGXI, CY8CTST200A-16LGXI PSoC 16-Pin Part Pinout 19	
1.1.2 CY8CTMG200-24LQXI, CY8CTMG200A-24LQXI, CY8CTST200-24LQXI, CY8CTST200A-24LQXI PSoC 24-Pin Part Pinout 20	
1.1.3 CY8CTMG200-32LQXI, CY8CTMG200A-32LQXI, CY8CTST200-32LQXI, CY8CTST200A-32LQXI, CY8CTMG201-32LQXI, CY8CTMG201A-32LQXI PSoC 32- Pin Part Pinout21	
1.1.4 CY8CTMG200-48LTXI, CY8CTMG200A-48LTXI, CY8CTST200-48LTXI, CY8CTST200A-48LTXI, CY8CTMG201-48LTXI, CY8CTMG201A-48LTXI PSoC 48-Pin Part Pinout22	
<b>Section B: PSoC Core</b>	<b>23</b>
<b>2. CPU Core (M8C)</b>	<b>27</b>
2.1 Overview.....	27
2.2 Internal Registers.....	27
2.3 Address Spaces.....	27
2.4 Instruction Set Summary .....	28
2.5 Instruction Formats .....	30
2.5.1 One-Byte Instructions .....	30
2.5.2 Two-Byte Instructions .....	30
2.5.3 Three-Byte Instructions.....	31
2.6 Register Definitions.....	32
2.6.1 CPU_F Register .....	32
2.6.2 Related Registers .....	32
<b>3. Supervisory ROM (SR0M)</b>	<b>33</b>
3.1 Architectural Description.....	33
3.1.1 Additional SR0M Feature .....	34
3.1.2 SR0M Function Descriptions .....	34
3.1.2.1 SWBootReset Function .....	34
3.1.2.2 ReadBlock Function .....	35
3.1.2.3 WriteBlock Function.....	35
3.1.2.4 EraseBlock Function.....	36
3.1.2.5 ProtectBlock Function.....	36
3.1.2.6 TableRead Function .....	36
3.1.2.7 EraseAll Function .....	36
3.1.2.8 Checksum Function.....	37
3.1.2.9 Calibrate0 Function .....	37
3.1.2.10 Calibrate1 Function .....	37

3.1.2.11	WriteAndVerify Function.....	37
3.1.2.12	HWBootReset Function.....	38
3.2	Register Definitions .....	38
<b>4.</b>	<b>RAM Paging</b> .....	<b>39</b>
4.1	Architectural Description.....	39
4.1.1	Basic Paging.....	39
4.1.2	Stack Operations .....	40
4.1.3	Interrupts .....	40
4.1.4	MVI Instructions.....	40
4.1.5	Current Page Pointer.....	40
4.1.6	Index Memory Page Pointer.....	41
4.2	Register Definitions .....	42
4.2.1	TMP_DRx Registers .....	42
4.2.2	CUR_PP Register .....	42
4.2.3	STK_PP Register .....	43
4.2.4	IDX_PP Register .....	43
4.2.5	MVR_PP Register .....	43
4.2.6	MVW_PP Register .....	44
4.2.7	Related Registers.....	44
<b>5.</b>	<b>Interrupt Controller</b> .....	<b>45</b>
5.1	Architectural Description.....	45
5.1.1	Posted versus Pending Interrupts .....	46
5.2	Application Overview.....	46
5.3	Register Definitions .....	48
5.3.1	INT_CLR0 Register .....	48
5.3.2	INT_CLR1 Register .....	49
5.3.3	INT_CLR2 Register .....	50
5.3.4	INT_MSK0 Register.....	51
5.3.5	INT_MSK1 Register.....	51
5.3.6	INT_MSK2 Register.....	52
5.3.7	INT_SW_EN Register .....	52
5.3.8	INT_VC Register .....	52
5.3.9	Related Registers.....	53
<b>6.</b>	<b>General Purpose I/O (GPIO)</b> .....	<b>55</b>
6.1	Architectural Description.....	55
6.1.1	General Description.....	56
6.1.2	Digital I/O.....	56
6.1.3	Analog and Digital Inputs.....	56
6.1.4	Port 1 Distinctions.....	56
6.1.5	Port 0 Distinctions.....	57
6.1.6	GPIO Block Interrupts.....	57
6.1.6.1	Interrupt Modes .....	57
6.1.7	Data Bypass .....	58
6.2	Register Definitions .....	59
6.2.1	PRTxDR Registers .....	59
6.2.2	PRTxIE Registers .....	59
6.2.3	PRTxDMx Registers .....	60
6.2.4	IO_CFG1 Register.....	61
6.2.5	IO_CFG2 Register.....	61

<b>7. Internal Main Oscillator (IMO)</b>	<b>63</b>
7.1 Architectural Description .....	63
7.2 Application Overview .....	63
7.2.1 Trimming the IMO .....	63
7.2.2 Engaging Slow IMO .....	63
7.3 Register Definitions.....	64
7.3.1 IMO_TR Register .....	64
7.3.2 IMO_TR1 Register .....	64
7.3.3 CPU_SCR1 Register .....	65
7.3.4 OSC_CR2 Register .....	65
7.3.5 Related Registers .....	66
<b>8. Internal Low Speed Oscillator (ILO)</b>	<b>67</b>
8.1 Architectural Description .....	67
8.2 Register Definitions.....	68
8.2.1 ILO_TR Register .....	68
<b>9. External Crystal Oscillator (ECO)</b>	<b>69</b>
9.1 Architectural Description .....	69
9.2 Application Overview .....	70
9.3 Register Definitions.....	71
9.3.1 ECO_ENBUS Register .....	71
9.3.2 ECO_TRIM Register .....	71
9.3.3 ECO_CFG Register .....	71
9.3.4 Related Registers .....	72
<b>10. Sleep and Watchdog</b>	<b>73</b>
10.1 Architectural Description .....	73
10.1.1 Sleep Control Implementation Logic .....	74
10.1.1.1 Wakeup Logic.....	74
10.1.2 Sleep Timer.....	76
10.2 Application Overview .....	76
10.3 Register Definitions.....	77
10.3.1 RES_WDT Register .....	77
10.3.2 SLP_CFG Register .....	77
10.3.3 SLP_CFG2 Register .....	78
10.3.4 SLP_CFG3 Register .....	78
10.3.5 Related Registers .....	78
10.4 Timing Diagrams.....	79
10.4.1 Sleep Sequence .....	79
10.4.2 Wakeup Sequence.....	80
10.4.3 Bandgap Refresh.....	80
10.4.4 Watchdog Timer.....	81
<b>Section C: TrueTouch System</b>	<b>83</b>
<b>11. TrueTouch Module</b>	<b>85</b>
11.1 Architectural Description.....	85
11.1.1 Types of TrueTouch Approaches .....	85
11.1.1.1 Positive Charge Integration .....	85
11.1.1.2 Relaxation Oscillator.....	86
11.1.1.3 Successive Approximation .....	87
11.1.1.4 Negative Charge Integration.....	88

11.1.1.5	Sigma Delta.....	89
11.1.2	IDAC.....	90
11.1.3	TrueTouch Counter .....	90
11.1.3.1	Operation .....	91
11.2	Register Definitions .....	92
11.2.1	CS_CR0 Register .....	92
11.2.2	CS_CR1 Register .....	93
11.2.3	CS_CR2 Register .....	93
11.2.4	CS_CR3 Register .....	94
11.2.5	CS_CNTL Register .....	94
11.2.6	CS_CNTH Register .....	94
11.2.7	CS_STAT Register .....	95
11.2.8	CS_TIMER Register .....	95
11.2.9	CS_SLEW Register .....	96
11.2.10	PRS_CR Register .....	96
11.2.11	IDAC_D Register .....	97
11.3	Timing Diagrams .....	97
<b>12.</b>	<b>I/O Analog Multiplexer</b>	<b>99</b>
12.1	Architectural Description.....	99
12.2	Register Definitions .....	100
12.2.1	MUX_CRx Registers .....	100
<b>13.</b>	<b>Comparators</b>	<b>101</b>
13.1	Architectural Description .....	101
13.2	Register Definitions .....	103
13.2.1	CMP_RDC Register .....	103
13.2.2	CMP_MUX Register .....	103
13.2.3	CMP_CR0 Register .....	104
13.2.4	CMP_CR1 Register .....	104
13.2.5	CMP_LUT Register .....	104
<b>Section D:</b>	<b>System Resources</b>	<b>105</b>
<b>14.</b>	<b>Digital Clocks</b>	<b>109</b>
14.1	Architectural Description.....	109
14.1.1	Internal Main Oscillator.....	109
14.1.2	Internal Low Speed Oscillator.....	110
14.1.3	External Clock .....	110
14.1.3.1	Switch Operation .....	110
14.2	Register Definitions .....	112
14.2.1	USB_MISC_CR Register .....	112
14.2.2	OUT_P0 Register .....	113
14.2.3	OUT_P1 Register .....	113
14.2.4	OSC_CR0 Register .....	113
14.2.5	OSC_CR2 Register .....	115
<b>15.</b>	<b>I2C Slave</b>	<b>117</b>
15.1	Architectural Description.....	117
15.1.1	Basic I2C Data Transfer .....	118
15.2	Application Overview .....	118
15.2.1	Slave Operation.....	118
15.2.2	EZI2C Mode .....	119



15.3	Register Definitions.....	122
15.3.1	I2C_XCFG Register.....	122
15.3.2	I2C_XSTAT Register.....	123
15.3.3	I2C_ADDR Register.....	123
15.3.4	I2C_BP Register.....	123
15.3.5	I2C_CP Register.....	124
15.3.6	CPU_BP Register.....	124
15.3.7	CPU_CP Register.....	124
15.3.8	I2C_BUF Register.....	125
15.3.9	I2C_CFG Register.....	126
15.3.10	I2C_SCR Register.....	128
15.3.11	I2C_DR Register.....	129
15.4	Timing Diagrams.....	130
15.4.1	Clock Generation.....	130
15.4.2	Basic I/O Timing.....	130
15.4.3	Status Timing.....	131
15.4.4	Slave Stall Timing.....	132
15.4.5	Implementation.....	132
15.4.6	Compatibility Mode Configuration.....	133
<b>16.</b>	<b>System Resets</b>	<b>135</b>
16.1	Architectural Description.....	135
16.2	Pin Behavior During Reset.....	135
16.2.1	GPIO Behavior on Power Up.....	135
16.2.2	Powerup External Reset Behavior.....	136
16.2.3	GPIO Behavior on External Reset.....	136
16.3	Register Definitions.....	137
16.3.1	CPU_SCR1 Register.....	137
16.3.2	CPU_SCR0 Register.....	138
16.4	Timing Diagrams.....	139
16.4.1	Power On Reset.....	139
16.4.2	External Reset.....	139
16.4.3	Watchdog Timer Reset.....	139
16.4.4	Reset Details.....	141
16.5	Power Modes.....	141
<b>17.</b>	<b>POR and LVD</b>	<b>143</b>
17.1	Architectural Description.....	143
17.2	Register Definitions.....	144
17.2.1	VLT_CR Register.....	144
17.2.2	VLT_CMP Register.....	144
<b>18.</b>	<b>SPI</b>	<b>145</b>
18.1	Architectural Description.....	145
18.1.1	SPI Protocol Function.....	145
18.1.1.1	SPI Protocol Signal Definitions.....	146
18.1.2	SPI Master Function.....	146
18.1.2.1	Usability Exceptions.....	146
18.1.2.2	Block Interrupt.....	146
18.1.3	SPI Slave Function.....	146
18.1.3.1	Usability Exceptions.....	146
18.1.3.2	Block Interrupt.....	147
18.1.4	Input Synchronization.....	147

18.2	Register Definitions .....	147
18.2.1	SPI_TXR Register .....	147
18.2.2	SPI_RXR Register .....	148
	18.2.2.1 SPI Master Data Register Definitions .....	148
	18.2.2.2 SPI Slave Data Register Definitions .....	148
18.2.3	SPI_CR Register .....	149
	18.2.3.1 SPI Control Register Definitions .....	149
18.2.4	SPI_CFG Register .....	150
	18.2.4.1 SPI Configuration Register Definitions .....	150
18.2.5	Related Registers .....	150
18.3	Timing Diagrams .....	151
18.3.1	SPI Mode Timing .....	151
18.3.2	SPIM Timing .....	152
18.3.3	SPIS Timing .....	157
<b>19.</b>	<b>Programmable Timer</b> .....	<b>161</b>
19.1	Architectural Description .....	161
	19.1.1 Operation .....	161
19.2	Register Definitions .....	163
19.2.1	PT0_CFG Register .....	163
19.2.2	PT1_CFG Register .....	163
19.2.3	PT2_CFG Register .....	164
19.2.4	PTx_DATA0 Register .....	164
19.2.5	PTx_DATA1 Register .....	164
<b>20.</b>	<b>Full-Speed USB</b> .....	<b>165</b>
20.1	Architectural Description .....	165
20.2	Application Description .....	165
20.2.1	USB SIE .....	165
20.2.2	USB SRAM .....	166
	20.2.2.1 PSoC Memory Arbiter .....	166
20.2.3	Oscillator Lock .....	168
20.2.4	Transceiver .....	168
20.2.5	USB Suspend .....	168
	20.2.5.1 Using Standby I2C-USB Sleep Mode for USB Suspend .....	169
	20.2.5.2 Using Standby or Deep Sleep Modes for USB Suspend .....	169
	20.2.5.3 Wakeup from Suspend .....	169
20.2.6	Regulator .....	169
20.3	Register Definitions .....	171
20.3.1	USB_SOF0 Register .....	171
20.3.2	USB_CR0 Register .....	171
20.3.3	USBIO_CR0 Register .....	172
20.3.4	USBIO_CR1 Register .....	172
20.3.5	EP0_CR Register .....	173
20.3.6	EP0_CNT Register .....	174
20.3.7	EP0_DRx Register .....	174
20.3.8	EPx_CNT1 Register .....	175
20.3.9	EPx_CNT0 Register .....	176
20.3.10	EPx_CR0 Register .....	177
20.3.11	PMax_WA Register .....	178
20.3.12	PMax_DR Register .....	179
20.3.13	PMax_RA Register .....	180
20.3.14	USB_CR1 Register .....	180

20.3.15 IMO_TR1 Register .....	181
20.3.16 Related Registers .....	181

**Section E: Registers 183**

**21. Register Reference 187**

21.1 Maneuvering Around the Registers .....	187
21.2 Register Conventions .....	187
21.3 Bank 0 Registers .....	188
21.3.1 PRTxDR .....	188
21.3.2 PRTxIE .....	189
21.3.3 SPI_TXR .....	190
21.3.4 SPI_RXR .....	191
21.3.5 SPI_CR .....	192
21.3.6 USB_SOF0 .....	193
21.3.7 USB_SOF1 .....	194
21.3.8 USB_CR0 .....	195
21.3.9 USBIO_CR0 .....	196
21.3.10 USBIO_CR1 .....	197
21.3.11 EP0_CR .....	198
21.3.12 EP0_CNT .....	199
21.3.13 EP0_DRx .....	200
21.3.14 EPx_CNT0 .....	201
21.3.15 EPx_CNT1 .....	202
21.3.16 PMAx_DR .....	203
21.3.17 AMUX_CFG .....	204
21.3.18 CMP_RDC .....	205
21.3.19 CMP_MUX .....	206
21.3.20 CMP_CR0 .....	207
21.3.21 CMP_CR1 .....	208
21.3.22 CMP_LUT .....	210
21.3.23 CS_CR0 .....	211
21.3.24 CS_CR1 .....	212
21.3.25 CS_CR2 .....	213
21.3.26 CS_CR3 .....	214
21.3.27 CS_CNTL .....	215
21.3.28 CS_CNTH .....	216
21.3.29 CS_STAT .....	217
21.3.30 CS_TIMER .....	218
21.3.31 CS_SLEW .....	219
21.3.32 PRS_CR .....	220
21.3.33 PT0_CFG .....	221
21.3.34 PTx_DATA1 .....	222
21.3.35 PTx_DATA0 .....	223
21.3.36 PT1_CFG .....	224
21.3.37 PT2_CFG .....	225
21.3.38 I2C_XCFG .....	226
21.3.39 I2C_XSTAT .....	227
21.3.40 I2C_ADDR .....	228
21.3.41 I2C_BP .....	229
21.3.42 I2C_CP .....	230
21.3.43 CPU_BP .....	231
21.3.44 CPU_CP .....	232
21.3.45 I2C_BUF .....	233

21.3.46	CUR_PP .....	234
21.3.47	STK_PP .....	235
21.3.48	IDX_PP .....	236
21.3.49	MVR_PP .....	237
21.3.50	MVW_PP .....	238
21.3.51	I2C_CFG .....	239
21.3.52	I2C_SCR .....	240
21.3.53	I2C_DR .....	241
21.3.54	INT_CLR0 .....	242
21.3.55	INT_CLR1 .....	244
21.3.56	INT_CLR2 .....	246
21.3.57	INT_MSK2 .....	248
21.3.58	INT_MSK1 .....	249
21.3.59	INT_MSK0 .....	250
21.3.60	INT_SW_EN .....	251
21.3.61	INT_VC .....	252
21.3.62	RES_WDT .....	253
21.3.63	CPU_F .....	254
21.3.64	IDAC_D .....	256
21.3.65	CPU_SCR1 .....	257
21.3.66	CPU_SCR0 .....	258
21.4	Bank 1 Registers .....	259
21.4.1	PRTxDM0 .....	259
21.4.2	PRTxDM1 .....	260
21.4.3	SPI_CFG .....	261
21.4.4	USB_CR1 .....	262
21.4.5	PMAx_WA .....	263
21.4.6	PMAx_RA .....	264
21.4.7	EPx_CR0 .....	265
21.4.8	TMP_DRx .....	266
21.4.9	USB_MISC_CR .....	267
21.4.10	OUT_P0 .....	268
21.4.11	ECO_ENBUS .....	269
21.4.12	ECO_TRIM .....	270
21.4.13	MUX_CRx .....	271
21.4.14	IO_CFG1 .....	272
21.4.15	OUT_P1 .....	273
21.4.16	IO_CFG2 .....	275
21.4.17	OSC_CR0 .....	276
21.4.18	ECO_CFG .....	277
21.4.19	OSC_CR2 .....	278
21.4.20	VLT_CR .....	279
21.4.21	VLT_CMP .....	280
21.4.22	IMO_TR .....	281
21.4.23	ILO_TR .....	282
21.4.24	SLP_CFG .....	283
21.4.25	SLP_CFG2 .....	284
21.4.26	SLP_CFG3 .....	285
21.4.27	IMO_TR1 .....	286
<b>Section F: Glossary</b>		<b>287</b>
<b>Section F: Index</b>		<b>303</b>

# Section A: Overview



The PSoC<sup>®</sup> family consists of many Programmable System-on-Chip with On-Chip Controller devices. The CY8CTMG20x and CY8CTST200 PSoC devices have fixed analog and digital resources in addition to a fast CPU, Flash program memory, and SRAM data memory to support various TrueTouch™ algorithms.

For the most up-to-date ordering, pinout, packaging, or electrical specification information, refer to the PSoC device's data sheet. For the most current technical reference manual information and newest product documentation, go to the Cypress web site at <http://www.cypress.com> >> Documentation.

This section contains:

- [Pin Information on page 19.](#)

---

## Document Organization

This manual is organized into sections and chapters, according to PSoC functionality. Each section contains a top-level architectural diagram and a register summary (if applicable). Most chapters within the sections have an introduction, an architectural/application description, register definitions, and timing diagrams. The sections are as follows:

- **Overview** – Presents the top-level architecture, helpful information to get started, and document history and conventions. The PSoC device *pinouts* are detailed in the chapter [Pin Information, on page 19](#).
- **PSoC Core** – Describes the heart of the PSoC device in various chapters, beginning with an architectural overview and a summary list of registers pertaining to the PSoC core.
- **TrueTouch System** – Describes the configurable PSoC TrueTouch system in various chapters, beginning with an architectural overview and a summary list of registers pertaining to the TrueTouch system.
- **System Resources** – Presents additional PSoC system resources, beginning with an overview and a summary list of registers pertaining to system resources.
- **Registers** – Lists all PSoC device registers in register mapping tables, and presents bit-level detail of each register in its own Register Reference chapter. Where applicable, detailed register descriptions are also located in each chapter.
- **Glossary** – Defines the specialized terminology used in this manual. Glossary terms are presented in ***bold, italic font*** throughout this manual.
- **Index** – Lists the location of key topics and elements that constitute and empower the PSoC devices.

## Top Level Architecture

The PSoC block diagram on the next page illustrates the top-level architecture of the CY8CTMG20x and CY8CTST200 devices. Each major grouping in the diagram is covered in this manual in its own section: PSoC Core, TrueTouch System, and the System Resources. Banding these three main areas together is the communication network of the system **bus**.

### PSoC Core

The PSoC Core is a powerful engine that supports a rich instruction set. It encompasses the **SRAM** for data storage, an **interrupt** controller for easy program execution to new addresses, sleep and watchdog timers, a regulated 3.0V output option is provided for Port 1 I/Os, and multiple **clock** sources that include the IMO (internal main oscillator) and ILO (internal low speed oscillator) for precision, programmable clocking.

The CPU core, called the M8C, is a powerful processor with speeds up to 24 MHz. The M8C is a four MIPS 8-**bit** Harvard architecture microprocessor. Within the CPU core are the **SRAM** and **Flash** memory components that provide flexible programming.

PSoC GPIOs provide connection to the CPU and the TrueTouch resources of the device. Each pin's drive mode is selectable from four options, allowing great flexibility in external interfacing. Every pin also has the capability to generate a system interrupt on low level and change from last read.

### TrueTouch™ System

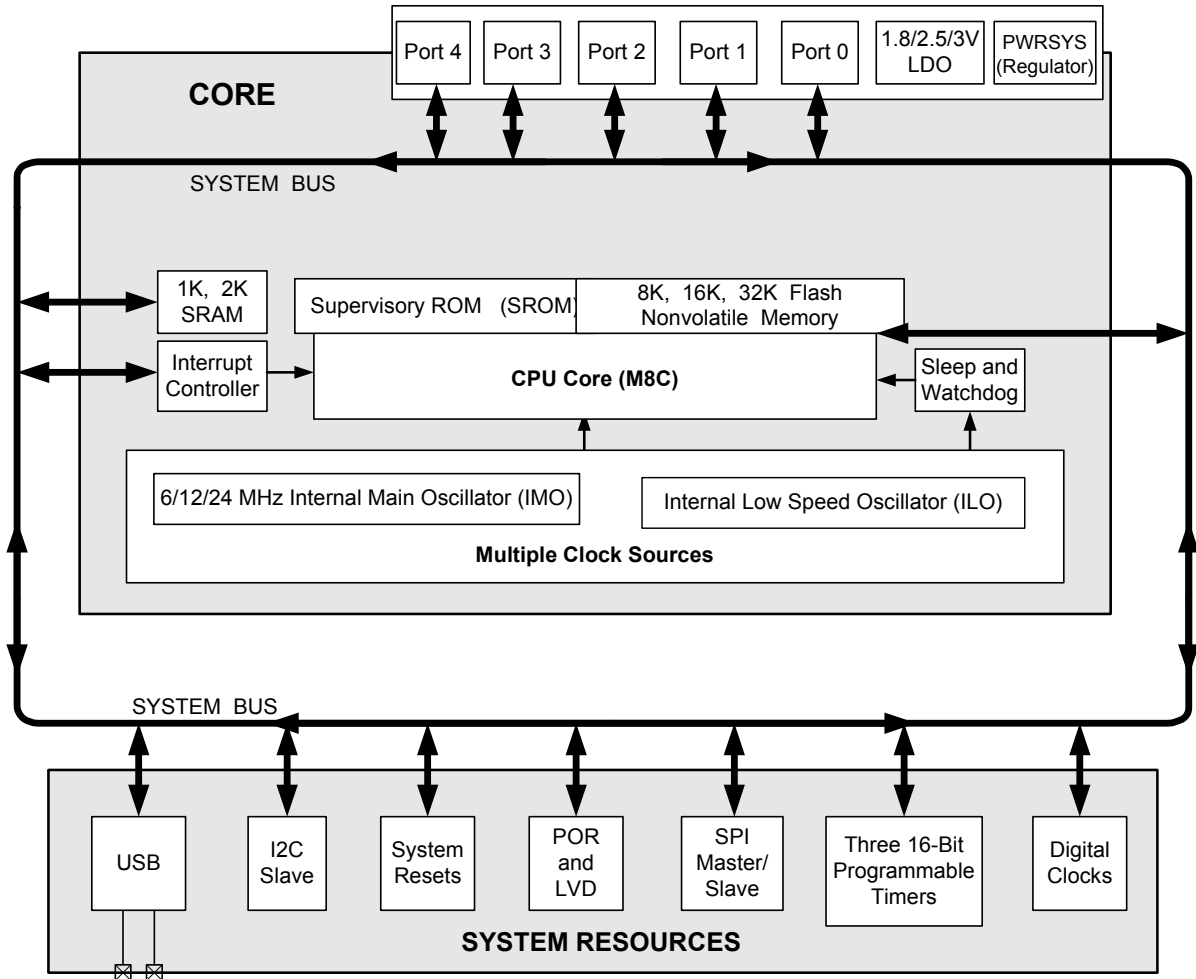
The TrueTouch System is composed of comparators, reference drivers, I/O multiplexers, and digital logic to support various capacitive sensing algorithms. Various reference selections are provided. Digital logic is mainly comprised of counters and timers.

### System Resources

The System Resources provide additional PSoC capability. These system resources include:

- Digital clocks to increase the flexibility of the PSoC programmable system-on-chip.
- I2C functionality with "no bus stalling."
- Various system resets supported by the M8C.
- Power-On-Reset (POR) circuit protection.
- SPI master and slave functionality.
- A programmable timer to provide periodic interrupts.
- Clock boost network providing a stronger signal to switches.
- Full-speed USB interface for USB 2.0 communication with 512 bytes of dedicated buffer memory and an internal 3V regulator.

PSoC Core Top-Level Block Diagram



## Getting Started

The quickest path to understanding PSoC is by reading the PSoC device's data sheet and using *PSoC Designer™ Integrated Development Environment (IDE)*. This manual is useful for understanding the details of the PSoC integrated circuit.

**Important Note** For the most up-to-date Ordering, Packaging, or Electrical Specification information, refer to the individual PSoC device's data sheet or go to <http://www.cypress.com>.

## Support

Free support for PSoC products is available online at <http://www.cypress.com>. Resources include Training Seminars, Discussion Forums, Application Notes, TightLink Technical Support Email/Knowledge Base, and Application Support Technicians.

Technical Support can be reached at <http://www.cypress.com/support>.

## Product Upgrades

Cypress provides scheduled upgrades and version enhancements for PSoC Designer free of charge. You can order the upgrades from your distributor on CD-ROM or download them directly from <http://www.cypress.com> under Software. Also provided are critical updates to system documentation under <http://www.cypress.com> >> Documentation.

## Development Kits

The Cypress Online Store contains development kits, **C** compilers, and all accessories for PSoC development. Go to the Cypress Online Store web site at <http://www.cypress.com> under Order >> PSoC Kits.

## Document History

This section serves as a chronicle of the *PSoC® CY8CTMG20x, CY8CTMG20xA, CY8CTST200, CY8CTST200A Technical Reference Manual*.

### Technical Reference Manual History

Version/ Release Date	Originator	Description of Change
** May 2009	DSG	First release of the CY8CTMG20x, CY8CTST200 Technical Reference Manual.
*A August 2009	DSG	Second release of the CY8CTMG20x, CY8CTST200 Technical Reference Manual.
*B November 2009	FSU	Multiple fixes, primarily to the sleep and I2C chapters.
*C December 2009	FSU	Multiple fixes, primarily to the External Crystal Oscillator chapter.



## Documentation Conventions

There are only four distinguishing font types used in this manual, besides those found in the headings.

- The first is the use of *italics* when referencing a document title or file name.
- The second is the use of ***bold italics*** when referencing a term described in the Glossary of this manual.
- The third is the use of Times New Roman font, distinguishing equation examples.
- The fourth is the use of Courier New font, distinguishing code examples.

## Register Conventions

The following table lists the register conventions that are specific to this manual. A more detailed set of register conventions is located in the [Register Reference chapter on page 187](#).

### Register Conventions

Convention	Example	Description
'x' in a register name	PRTxIE	Multiple instances/address ranges of the same register
R	R : 00	Read register or bit(s)
W	W : 00	Write register or bit(s)
O	RO : 00	Only a read/write register or bit(s).
L	RL : 00	Logical register or bit(s)
C	RC : 00	Clearable register or bit(s)
00	RW : 00	Reset value is 0x00 or 00h
XX	RW : XX	Register is not reset
0,	0,04h	Register is in bank 0
1,	1,23h	Register is in bank 1
x,	x,F7h	Register exists in register bank 0 and register bank 1
Empty, grayed-out table cell		Reserved bit or group of bits, unless otherwise stated

## Numeric Naming

Hexadecimal numbers are represented with all letters in uppercase with an appended lowercase 'h' (for example, '14h' or '3Ah') and **hexadecimal** numbers may also be represented by a '0x' prefix, the **C** coding convention. Binary numbers have an appended lowercase 'b' (for example, '01010100b' or '0100011b'). Numbers not indicated by an 'h' or 'b' are **decimal**.

## Units of Measure

This table lists the units of measure used in this manual.

### Units of Measure

Symbol	Unit of Measure
°C	degree Celsius
dB	decibels
fF	femtofarad
Hz	hertz
k	kilo, 1000
K	2 <sup>10</sup> , 1024
KB	1024 bytes
Kbit	1024 bits
kHz	kilohertz (32.000)
kΩ	kilohm
MHz	megahertz
MΩ	megaohm
μA	microampere
μF	microfarad
μs	microsecond
μV	microvolt
μVrms	microvolts root-mean-square
mA	milliampere
ms	millisecond
mV	millivolt
nA	nanoampere
ns	nanosecond
nV	nanovolt
Ω	ohm
pF	picofarad
pp	peak-to-peak
ppm	parts per million
sps	samples per second
σ	sigma: one standard deviation
V	volt

## Acronyms

This table lists the acronyms that are used in this manual.

### Acronyms

Acronym	Description
ABUS	analog output bus
AC	alternating current
ADC	analog-to-digital converter
API	Application Programming Interface
BC	broadcast clock
BR	bit rate
BRA	bus request acknowledge
BRQ	bus request
CBUS	comparator bus
CI	carry in
CMP	compare
CO	carry out
CPU	central processing unit
CRC	cyclic redundancy check
CT	continuous time
DAC	digital-to-analog converter
DC	direct current
DI	digital or data input
DMA	direct memory access
DO	digital or data output
ECO	external crystal oscillator
FB	feedback
GIE	global interrupt enable
GPIO	general purpose I/O
ICE	in-circuit emulator
IDE	integrated development environment
ILO	internal low speed oscillator
IMO	internal main oscillator
I/O	input/output
IOR	I/O read
IOW	I/O write
IPOR	imprecise power on reset
IRQ	interrupt request
ISR	interrupt service routine
ISSP	in system serial programming
IVR	interrupt vector read
LFSR	linear feedback shift register
LRb	last received bit
LRB	last received byte
LSb	least significant bit
LSB	least significant byte
LUT	look-up table
MISO	master-in-slave-out
MOSI	master-out-slave-in
MSb	most significant bit
MSB	most significant byte
PC	program counter

### Acronyms (continued)

Acronym	Description
PCH	program counter high
PCL	program counter low
PD	power down
PMA	PSoC® memory arbiter
POR	power on reset
PPOR	precision power on reset
PRS	pseudo random sequence
PSoC®	Programmable System-on-Chip
PSSDC	power system sleep duty cycle
PWM	pulse width modulator
RAM	random access memory
RETI	return from interrupt
RO	relaxation oscillator
ROM	read only memory
RW	read/write
SAR	successive approximation register
SC	switched capacitor
SIE	serial interface engine
SE0	single-ended zero
SOF	start of frame
SP	stack pointer
SPI	serial peripheral interconnect
SPIM	serial peripheral interconnect master
SPIS	serial peripheral interconnect slave
SRAM	static random access memory
SROM	supervisory read only memory
SSADC	single slope ADC
SSC	supervisory system call
TC	terminal count
USB	universal serial bus
WDT	watchdog timer
WDR	watchdog reset
XRES	external reset

# 1. Pin Information



This chapter lists, describes, and illustrates all pins and pinout configurations for the CY8CTMG20x, CY8CTMG20xA, CY8CTST200, and CY8CTST200A PSoC devices. For up-to-date ordering, pinout, and packaging information, refer to the individual PSoC device's data sheet or go to <http://www.cypress.com>.

## 1.1 Pinouts

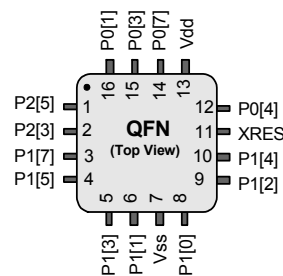
The CY8CTMG20x, CY8CTMG20xA, CY8CTST200, and CY8CTST200A PSoC devices are available in a variety of packages. Every **port** pin (labeled with a "P"), except for **Vss**, **Vdd**, and XRES in the following tables and illustrations, is capable of Digital I/O.

### 1.1.1 CY8CTMG200-16LGXI, CY8CTMG200A-16LGXI, CY8CTST200-16LGXI, CY8CTST200A-16LGXI PSoC 16-Pin Part Pinout

**Table 1-1.** 16-Pin QFN/COL Part Pinout

Pin No.	Type		Name	Description
	Digital	Analog		
1	IO	I	P2[5]	XTAL Out
2	IO	I	P2[3]	XTAL In
3	IOHR	I	P1[7]	I2C SCL, SPI SS
4	IOHR	I	P1[5]	I2C SDA, SPI MISO
5	IOHR	I	P1[3]	SPI CLK
6	IOHR	I	P1[1]	TC CLK*, I2C SCL, SPI MOSI
7	Power		Vss	Ground pin
8	IOHR	I	P1[0]	TC DATA*, I2C SDA, SPI CLK
9	IOHR	I	P1[2]	
10	IOHR	I	P1[4]	EXTCLK
11	Input		XRES	Active high external reset with internal pull down
12	IOH	I	P0[4]	
13	Power		Vdd	Power pin
14	IOH	I	P0[7]	
15	IOH	I	P0[3]	Integrating input
16	IOH	I	P0[1]	Integrating input

**CY8CTMG200-16LGXI, CY8CTMG200A-16LGXI, CY8CTST200-16LGXI, CY8CTST200A-16LGXI PSoC Devices**



**LEGEND** A = Analog, I = Input, O = Output, H = 5 mA High Output Drive, R = Regulated Output Option.

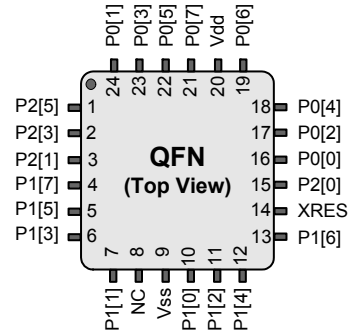
\* These are the ISSP pins, which are not High Z at POR (Power On Reset).

### 1.1.2 CY8CTMG200-24LQXI, CY8CTMG200A-24LQXI, CY8CTST200-24LQXI, CY8CTST200A-24LQXI PSoC 24-Pin Part Pinout

Table 1-2. 24-Pin QFN Part Pinout \*\*

Pin No.	Type		Name	Description
	Digital	Analog		
1	IO	I	P2[5]	XTAL Out
2	IO	I	P2[3]	XTAL In
3	IO	I	P2[1]	
4	IOHR	I	P1[7]	I2C SCL, SPI SS
5	IOHR	I	P1[5]	I2C SDA, SPI MISO
6	IOHR	I	P1[3]	SPI CLK
7	IOHR	I	P1[1]	TC CLK*, I2C SCL, SPI MOSI
8			NC	No connection
9	Power		Vss	Ground pin
10	IOHR	I	P1[0]	TC DATA*, I2C SDA, SPI CLK
11	IOHR	I	P1[2]	
12	IOHR	I	P1[4]	EXTCLK
13	IOHR	I	P1[6]	
14	Input		XRES	Active high external reset with internal pull down
15	IO	I	P2[0]	
16	IOH	I	P0[0]	
17	IOH	I	P0[2]	
18	IOH	I	P0[4]	
19	IOH	I	P0[6]	
20	Power		Vdd	Power pin
21	IOH	I	P0[7]	
22	IOH	I	P0[5]	
23	IOH	I	P0[3]	Integrating input
24	IOH	I	P0[1]	Integrating input

CY8CTMG200-24LQXI, CY8CTMG200A-24LQXI, CY8CTST200-24LQXI, CY8CTST200A-24LQXI PSoC Device



**LEGEND** A = Analog, I = Input, O = Output, H = 5 mA High Output Drive, R = Regulated Output Option.

\* These are the ISSP pins, which are not High Z at POR (Power On Reset).

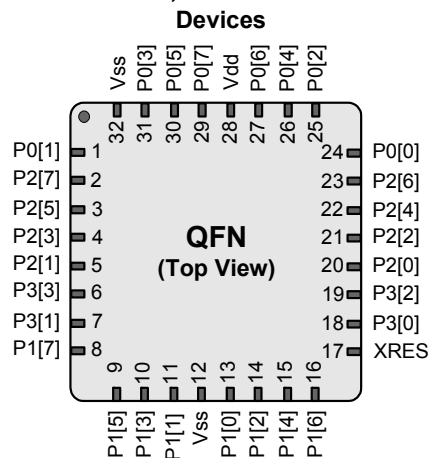
\*\* The center pad on the QFN package must be connected to ground (Vss) for best mechanical, thermal, and electrical performance. If not connected to ground, it must be electrically floated and not connected to any other signal.

### 1.1.3 CY8CTMG200-32LQXI, CY8CTMG200A-32LQXI, CY8CTST200-32LQXI, CY8CTST200A-32LQXI, CY8CTMG201-32LQXI, CY8CTMG201A-32LQXI PSoC 32-Pin Part Pinout

Table 1-3. 32-Pin QFN Part Pinout \*\*

Pin No.	Digital	Analog	Name	Description
1	IOH	I	P0[1]	Integrating input
2	IO	I	P2[7]	
3	IO	I	P2[5]	XTAL Out
4	IO	I	P2[3]	XTAL In
5	IO	I	P2[1]	
6	IO	I	P3[3]	
7	IO	I	P3[1]	
8	IOHR	I	P1[7]	I2C SCL, SPI SS
9	IOHR	I	P1[5]	I2C SDA, SPI MISO
10	IOHR	I	P1[3]	SPI CLK
11	IOHR	I	P1[1]	TC CLK*, I2C SCL, SPI MOSI
12	Power		Vss	Ground pin
13	IOHR	I	P1[0]	TC DATA*, I2C SDA, SPI CLK
14	IOHR	I	P1[2]	
15	IOHR	I	P1[4]	EXTCLK
16	IOHR	I	P1[6]	
17	Input		XRES	Active high external reset with internal pull down
18	IO	I	P3[0]	
19	IO	I	P3[2]	
20	IO	I	P2[0]	
21	IO	I	P2[2]	
22	IO	I	P2[4]	
23	IO	I	P2[6]	
24	IOH	I	P0[0]	
25	IOH	I	P0[2]	
26	IOH	I	P0[4]	
27	IOH	I	P0[6]	
28	Power		Vdd	Power pin
29	IOH	I	P0[7]	
30	IOH	I	P0[5]	
31	IOH	I	P0[3]	
32	Power		Vss	Ground pin

**CY8CTMG200-32LQXI, CY8CTMG200A-32LQXI, CY8CTST200-32LQXI, CY8CTST200A-32LQXI, CY8CTMG201-32LQXI, CY8CTMG201A-32LQXI PSoC**



**LEGEND** A = Analog, I = Input, O = Output, NC = No Connection, H = 5 mA High Output Drive, R = Regulated Output Option.

\* ISSP pin which is not High Z at POR (Power On Reset).

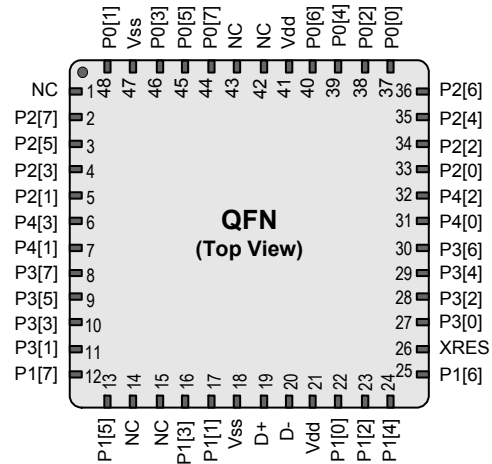
\*\* The center pad on the QFN package must be connected to ground (Vss) for best mechanical, thermal, and electrical performance. If not connected to ground, it must be electrically floated and not connected to any other signal.

### 1.1.4 CY8CTMG200-48LTXI, CY8CTMG200A-48LTXI, CY8CTST200-48LTXI, CY8CTST200A-48LTXI, CY8CTMG201-48LTXI, CY8CTMG201A-48LTXI PSoC 48-Pin Part Pinout

Table 1-4. 48-Pin Part Pinout \*\*

Pin No.	Digital	Analog	Name	Description
1			NC	No connection
2	IO	I	P2[7]	
3	IO	I	P2[5]	XTAL Out
4	IO	I	P2[3]	XTAL In
5	IO	I	P2[1]	
6	IO	I	P4[3]	
7	IO	I	P4[1]	
8	IO	I	P3[7]	
9	IO	I	P3[5]	
10	IO	I	P3[3]	
11	IO	I	P3[1]	
12	IOHR	I	P1[7]	I2C SCL, SPI SS
13	IOHR	I	P1[5]	I2C SDA, SPI MISO
14			NC	No connection
15			NC	No connection
16	IOHR	I	P1[3]	SPI CLK
17	IOHR	I	P1[1]	TC CLK*, I2C SCL, SPI MOSI
18	Power		Vss	Ground pin
19	IO		D +	USB PHY
20	IO		D -	USB PHY
21	Power		Vdd	Power pin
22	IOHR	I	P1[0]	TC DATA*, I2C SDA, SPI CLK
23	IOHR	I	P1[2]	
24	IOHR	I	P1[4]	EXTCLK
25	IOHR	I	P1[6]	
26	Input		XRES	Active high external reset with internal pull down
27	IO	I	P3[0]	
28	IO	I	P3[2]	
29	IO	I	P3[4]	
30	IO	I	P3[6]	
31	IO	I	P4[0]	
32	IO	I	P4[2]	
33	IO	I	P2[0]	
34	IO	I	P2[2]	
35	IO	I	P2[4]	
36	IO	I	P2[6]	
37	IOH	I	P0[0]	
38	IOH	I	P0[2]	
39	IOH	I	P0[4]	
40	IOH	I	P0[6]	

CY8CTMG200-48LTXI, CY8CTMG200A-48LTXI, CY8CTST200-48LTXI, CY8CTST200A-48LTXI, CY8CTMG201-48LTXI, CY8CTMG201A-48LTXI PSoC Devices



Pin No.	Digital	Analog	Name	Description
41	Power		Vdd	Power pin
42			NC	No connection
43			NC	No connection
44	IOH	I	P0[7]	
45	IOH	I	P0[5]	
46	IOH	I	P0[3]	Integrating input
47	Power		Vss	Ground pin
48	IOH	I	P0[1]	Integrating input

**LEGEND** A = Analog, I = Input, O = Output, NC = No Connection, H = 5 mA High Output Drive, R = Regulated Output Option.

\* ISSP pin which is not High Z at POR (Power On Reset).

\*\* The center pad on the QFN package must be connected to ground (Vss) for best mechanical, thermal, and electrical performance. If not connected to ground, it must be electrically floated and not connected to any other signal.

# Section B: PSoC Core

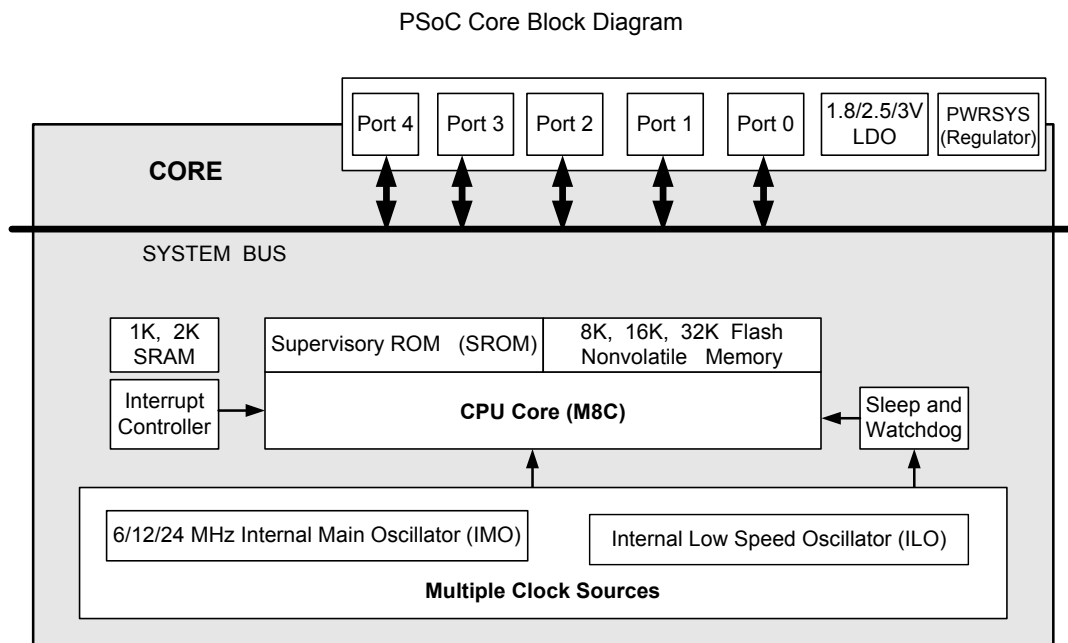


The PSoC Core section discusses the core components of a PSoC device with a base part number of CY8CTMG20x or CY8CTST200 and the registers associated with those components. The core section covers the heart of the PSoC device, which includes the M8C *microcontroller*, SRAM, interrupt controller, GPIO, and **SRAM** paging; multiple clock sources such as IMO and ILO; and sleep and watchdog functionality. This section includes these chapters:

- [CPU Core \(M8C\) on page 27.](#)
- [Supervisory ROM \(SRAM\) on page 33.](#)
- [RAM Paging on page 39.](#)
- [Interrupt Controller on page 45.](#)
- [General Purpose I/O \(GPIO\) on page 55.](#)
- [Internal Main Oscillator \(IMO\) on page 63.](#)
- [Internal Low Speed Oscillator \(ILO\) on page 67.](#)
- [External Crystal Oscillator \(ECO\), on page 69](#)
- [Sleep and Watchdog on page 73.](#)

## Top-Level Core Architecture

This figure displays the top level architecture of the PSoC core. Each component of the figure is discussed at length in this section.



## Core Register Summary

This table lists all the PSoC registers for the CPU core in **address** order within their system resource configuration. The grayed out bits are reserved bits. If you write these bits always write them with a value of '0'. For the core registers, the first 'x' in some **register** addresses represents either bank 0 or bank 1. These registers are listed throughout this manual in bank 0, even though they are also available in bank 1.

Summary Table of the Core Registers

Address	Name	Bit 7	Bit 6	Bit 5	Bit 4	Bit 3	Bit 2	Bit 1	Bit 0	Access
<b>M8C REGISTER (page 27)</b>										
x,F7h	CPU_F	PgMode[1:0]		XIO_1	XIO		Carry	Zero	GIE	RL : 02
<b>RAM PAGING (SRAM) REGISTERS (page 39)</b>										
x,6Ch	TMP_DR0	Data[7:0]								RW : 00
x,6Dh	TMP_DR1	Data[7:0]								RW : 00
x,6Eh	TMP_DR2	Data[7:0]								RW : 00
x,6Fh	TMP_DR3	Data[7:0]								RW : 00
0,D0h	CUR_PP						Page Bits[2:0]			RW : 0
0,D1h	STK_PP						Page Bits[2:0]			RW : 0
0,D3h	IDX_PP						Page Bits[2:0]			RW : 0
0,D4h	MVR_PP						Page Bits[2:0]			RW : 0
0,D5h	MVW_PP						Page Bits[2:0]			RW : 0
<b>INTERRUPT CONTROLLER REGISTERS (page 45)</b>										
0,DAh	INT_CLR0	I2C	Sleep	SPI	GPIO	Timer0	TrueTouch	Analog	V Monitor	RW : 00
0,DBh	INT_CLR1	Endpoint3	Endpoint2	Endpoint1	Endpoint0	USB SOF	USB Bus Rst	Timer2	Timer1	RW : 00
0,DCh	INT_CLR2			USB_WAKE	Endpoint8	Endpoint7	Endpoint6	Endpoint5	Endpoint4	RW : 00
0,DEh	INT_MSK2			USB Wakeup	Endpoint8	Endpoint7	Endpoint6	Endpoint5	Endpoint4	RW : 00
0,DFh	INT_MSK1	Endpoint3	Endpoint2	Endpoint1	Endpoint0	USB SOF	USB Bus Reset	Timer2	Timer1	RW : 00
0,E0h	INT_MSK0	I2C	Sleep	SPI	GPIO	Timer0	TrueTouch	Analog	V Monitor	RW : 00
0,E1h	INT_SW_EN								ENSWINT	RW : 0
0,E2h	INT_VC	Pending Interrupt[7:0]								RC : 00
<b>GENERAL PURPOSE I/O (GPIO) REGISTERS (page 59)</b>										
0,00h	PRT0DR	Data[7:0]								RW : 00
0,01h	PRT0IE	Interrupt Enables[7:0]								RW : 00
0,04h	PRT1DR	Data[7:0]								RW : 00
0,05h	PRT1IE	Interrupt Enables[7:0]								RW : 00
0,08h	PRT2DR	Data[7:0]								RW : 00
0,09h	PRT2IE	Interrupt Enables[7:0]								RW : 00
0,0Ch	PRT3DR	Data[7:0]								RW : 00
0,0Dh	PRT3IE	Interrupt Enables[7:0]								RW : 00
1,00h	PRT0DM0	Drive Mode 0[7:0]								RW : 00
1,01h	PRT0DM1	Drive Mode 1[7:0]								RW : FF
1,04h	PRT1DM0	Drive Mode 0[7:0]								RW : 00
1,05h	PRT1DM1	Drive Mode 1[7:0]								RW : FF
1,08h	PRT2DM0	Drive Mode 0[7:0]								RW : 00
1,09h	PRT2DM1	Drive Mode 1[7:0]								RW : FF
1,0Ch	PRT3DM0	Drive Mode 0[7:0]								RW : 00
1,0Dh	PRT3DM1	Drive Mode 1[7:0]								RW : FF
0,10h	PRTxDR	Data[7:0]								RW : 00
0,11h	PRTxIE	Interrupt Enables[7:0]								RW : 00
1,10h	PRTxDM0	Drive Mode 0[7:0]								RW : 00
1,11h	PRTxDM1	Drive Mode 0[7:0]								RW : 00



Summary Table of the Core Registers (continued)

Address	Name	Bit 7	Bit 6	Bit 5	Bit 4	Bit 3	Bit 2	Bit 1	Bit 0	Access
1,DCh	IO_CFG1	StrongP		Range[1:0]		P1_LOW_THRS	SPICLK_ON_P10	REG_EN	IOINT	RW : 00
<b>INTERNAL MAIN OSCILLATOR (IMO) REGISTER (page 64)</b>										
1,E8h	IMO_TR	Trim[7:0]								W : 00
1,FAh	IMO_TR1					Fine Trim[2:0]			RW : 00	
x,FEh	CPU_SCR1	IRESS				SLIM[1:0]			IRAMDIS	# : 00
1,E2h	OSC_CR2				CLK48MEN		EXTCLKEN	IMODIS		RW : 00
<b>INTERNAL LOW SPEED OSCILLATOR (ILO) REGISTER (page 68)</b>										
1,E9h	ILO_TR		PD_MODE	ILOFREQ	SATBIASB	Freq Trim[3:0]			RW : 18	
<b>EXTERNAL CRYSTAL OSCILLATOR (ECO) REGISTERS (page 69)</b>										
1,D2h	ECO_ENBUS					ECO_ENBUS[2:0]			RW : 07	
1,D3h	ECO_TRIM				ECO_XGM[2:0]		ECO_PL[1:0]		RW : 00	
1,E1h	ECO_CFG					ECO_LPM	ECO_EXW	ECO_EX	RW : 00	
<b>SLEEP AND WATCHDOG REGISTERS (page 77)</b>										
0,E3h	RES_WDT	WDSL_Clear[7:0]								W : 00
1,EBh	SLP_CFG	PSSDC[1:0]								RW : 0
1,ECh	SLP_CFG2					ALT_Buzz [1:0]	I2C_ON	LSO_OFF	RW : 00	
1,EDh	SLP_CFG3		DBL_TAPS	T2TAP [1:0]	T1TAP [1:0]	T0TAP [1:0]			RW : 0x7F	

**LEGEND**

- L The and f, expr; or f, expr; and xor f, expr instructions can be used to modify this register.
- x An "x" before the comma in the address field indicates that this register can be accessed or written to no matter what bank is used.
- C Clearable register or bit(s).
- R Read register or bit(s).
- W Write register or bit(s).



## 2. CPU Core (M8C)



This chapter explains the CPU Core, called the M8C, and its associated register. It covers the internal M8C registers, address spaces, **instruction** set and formats. For additional information concerning the M8C instruction set, refer to the *PSoC Designer Assembly Language User Guide* available at the Cypress web site (<http://www.cypress.com>). For a quick reference of all PSoC registers in address order, refer to the [Register Reference chapter on page 187](#).

### 2.1 Overview

The **M8C** is a four MIPS 8-bit Harvard architecture microprocessor. Selectable processor clock speeds up to 24 MHz enable you to tune the M8C to a particular application's performance and power requirements. The M8C supports a rich instruction set that allows for efficient low-level language support.

### 2.2 Internal Registers

The M8C has five internal registers that are used in program execution. Here is a list of these registers.

- Accumulator (A)
- Index (X)
- Program Counter (PC)
- Stack Pointer (SP)
- Flags (F)

All the internal M8C registers are 8 bits in width, except for the PC which is 16 bits wide. Upon **reset**, A, X, PC, and SP are reset to 00h. The Flag register (F) is reset to 02h, indicating that the Z **flag** is **set**.

With each **stack** operation, the SP is automatically incremented or decremented so that it always points to the next stack **byte** in RAM. If the last byte in the stack is at address FFh, the **stack pointer** wraps to RAM address 00h. It is the **firmware** developer's responsibility to ensure that the stack does not overlap with user defined variables in RAM.

With the exception of the F register, the M8C internal registers are not accessible via an explicit register address. The internal M8C registers are accessed using these instructions:

- MOV A, *expr*
- MOV X, *expr*
- SWAP A, SP
- OR F, *expr*
- JMP LABEL

The F register is read by using address F7h in either register bank.

### 2.3 Address Spaces

The M8C has three address spaces: **ROM**, **RAM**, and registers. The ROM address space includes the Supervisory ROM (SROM) and the Flash. The ROM address space is accessed through its own address and **data bus**.

The ROM address space is composed of the Supervisory ROM and the on-chip Flash program store. Flash is organized into 128-byte blocks. Program store page boundaries are not an issue because the M8C automatically increments the 16-bit PC on every instruction. This makes the block boundaries invisible to user code. Instructions occurring on a 128-byte Flash page boundary (with the exception of **JMP** instructions) incur an extra M8C clock cycle, since the upper byte of the PC is incremented.

The register address space is used to configure the PSoC microcontroller's programmable blocks. It consists of two banks of 256 bytes each. To switch between banks, the XIO bit in the Flag register is set or cleared (set for Bank1, cleared for Bank0). The common convention is to leave the bank set to Bank0 (XIO cleared), switch to Bank1 as needed (set XIO), then switch back to Bank0.

## 2.4 Instruction Set Summary

The instruction set is summarized in both [Table 2-1](#) and [Table 2-2](#) (in numeric and *mnemonic* order, respectively), and serves as a quick reference. If more information is needed, the Instruction Set Summary tables are described in detail in the *PSoC Designer Assembly Language User Guide* (refer to the <http://www.cypress.com> web site).

Table 2-1. Instruction Set Summary Sorted Numerically by Opcode

Opcode Hex	Cycles	Bytes	Instruction Format	Flags	Opcode Hex	Cycles	Bytes	Instruction Format	Flags	Opcode Hex	Cycles	Bytes	Instruction Format	Flags
00	15	1	SSC		2D	8	2	OR [X+expr], A	Z	5A	5	2	MOV [expr], X	
01	4	2	ADD A, expr	C, Z	2E	9	3	OR [expr], expr	Z	5B	4	1	MOV A, X	Z
02	6	2	ADD A, [expr]	C, Z	2F	10	3	OR [X+expr], expr	Z	5C	4	1	MOV X, A	
03	7	2	ADD A, [X+expr]	C, Z	30	9	1	HALT		5D	6	2	MOV A, reg[expr]	Z
04	7	2	ADD [expr], A	C, Z	31	4	2	XOR A, expr	Z	5E	7	2	MOV A, reg[X+expr]	Z
05	8	2	ADD [X+expr], A	C, Z	32	6	2	XOR A, [expr]	Z	5F	10	3	MOV [expr], [expr]	
06	9	3	ADD [expr], expr	C, Z	33	7	2	XOR A, [X+expr]	Z	60	5	2	MOV reg[expr], A	
07	10	3	ADD [X+expr], expr	C, Z	34	7	2	XOR [expr], A	Z	61	6	2	MOV reg[X+expr], A	
08	4	1	PUSH A		35	8	2	XOR [X+expr], A	Z	62	8	3	MOV reg[expr], expr	
09	4	2	ADC A, expr	C, Z	36	9	3	XOR [expr], expr	Z	63	9	3	MOV reg[X+expr], expr	
0A	6	2	ADC A, [expr]	C, Z	37	10	3	XOR [X+expr], expr	Z	64	4	1	ASL A	C, Z
0B	7	2	ADC A, [X+expr]	C, Z	38	5	2	ADD SP, expr		65	7	2	ASL [expr]	C, Z
0C	7	2	ADC [expr], A	C, Z	39	5	2	CMP A, expr		66	8	2	ASL [X+expr]	C, Z
0D	8	2	ADC [X+expr], A	C, Z	3A	7	2	CMP A, [expr]		67	4	1	ASR A	C, Z
0E	9	3	ADC [expr], expr	C, Z	3B	8	2	CMP A, [X+expr]	if (A=B) Z=1 if (A<B) C=1	68	7	2	ASR [expr]	C, Z
0F	10	3	ADC [X+expr], expr	C, Z	3C	8	3	CMP [expr], expr		69	8	2	ASR [X+expr]	C, Z
10	4	1	PUSH X		3D	9	3	CMP [X+expr], expr		6A	4	1	RLC A	C, Z
11	4	2	SUB A, expr	C, Z	3E	10	2	MVI A, [ [expr]++ ]	Z	6B	7	2	RLC [expr]	C, Z
12	6	2	SUB A, [expr]	C, Z	3F	10	2	MVI [ [expr]++ ], A		6C	8	2	RLC [X+expr]	C, Z
13	7	2	SUB A, [X+expr]	C, Z	40	4	1	NOP		6D	4	1	RRC A	C, Z
14	7	2	SUB [expr], A	C, Z	41	9	3	AND reg[expr], expr	Z	6E	7	2	RRC [expr]	C, Z
15	8	2	SUB [X+expr], A	C, Z	42	10	3	AND reg[X+expr], expr	Z	6F	8	2	RRC [X+expr]	C, Z
16	9	3	SUB [expr], expr	C, Z	43	9	3	OR reg[expr], expr	Z	70	4	2	AND F, expr	C, Z
17	10	3	SUB [X+expr], expr	C, Z	44	10	3	OR reg[X+expr], expr	Z	71	4	2	OR F, expr	C, Z
18	5	1	POP A	Z	45	9	3	XOR reg[expr], expr	Z	72	4	2	XOR F, expr	C, Z
19	4	2	SBB A, expr	C, Z	46	10	3	XOR reg[X+expr], expr	Z	73	4	1	CPL A	Z
1A	6	2	SBB A, [expr]	C, Z	47	8	3	TST [expr], expr	Z	74	4	1	INC A	C, Z
1B	7	2	SBB A, [X+expr]	C, Z	48	9	3	TST [X+expr], expr	Z	75	4	1	INC X	C, Z
1C	7	2	SBB [expr], A	C, Z	49	9	3	TST reg[expr], expr	Z	76	7	2	INC [expr]	C, Z
1D	8	2	SBB [X+expr], A	C, Z	4A	10	3	TST reg[X+expr], expr	Z	77	8	2	INC [X+expr]	C, Z
1E	9	3	SBB [expr], expr	C, Z	4B	5	1	SWAP A, X	Z	78	4	1	DEC A	C, Z
1F	10	3	SBB [X+expr], expr	C, Z	4C	7	2	SWAP A, [expr]	Z	79	4	1	DEC X	C, Z
20	5	1	POP X		4D	7	2	SWAP X, [expr]		7A	7	2	DEC [expr]	C, Z
21	4	2	AND A, expr	Z	4E	5	1	SWAP A, SP	Z	7B	8	2	DEC [X+expr]	C, Z
22	6	2	AND A, [expr]	Z	4F	4	1	MOV X, SP		7C	13	3	LCALL	
23	7	2	AND A, [X+expr]	Z	50	4	2	MOV A, expr	Z	7D	7	3	LJMP	
24	7	2	AND [expr], A	Z	51	5	2	MOV A, [expr]	Z	7E	10	1	RETI	C, Z
25	8	2	AND [X+expr], A	Z	52	6	2	MOV A, [X+expr]	Z	7F	8	1	RET	
26	9	3	AND [expr], expr	Z	53	5	2	MOV [expr], A		8x	5	2	JMP	
27	10	3	AND [X+expr], expr	Z	54	6	2	MOV [X+expr], A		9x	11	2	CALL	
28	11	1	ROMX	Z	55	8	3	MOV [expr], expr		Ax	5	2	JZ	
29	4	2	OR A, expr	Z	56	9	3	MOV [X+expr], expr		Bx	5	2	JNZ	
2A	6	2	OR A, [expr]	Z	57	4	2	MOV X, expr		Cx	5	2	JC	
2B	7	2	OR A, [X+expr]	Z	58	6	2	MOV X, [expr]		Dx	5	2	JNC	
2C	7	2	OR [expr], A	Z	59	7	2	MOV X, [X+expr]		Ex	7	2	JACC	
										Fx	13	2	INDEX	Z

**Note 1** Interrupt acknowledgment to Interrupt Vector table = 13 cycles.

**Note 2** The number of cycles required by an instruction is increased by one for instructions that span 128 byte page boundaries in the Flash memory space.

Table 2-2. Instruction Set Summary Sorted Alphabetically by Mnemonic

Opcode Hex	Cycles	Bytes	Instruction Format	Flags	Opcode Hex	Cycles	Bytes	Instruction Format	Flags	Opcode Hex	Cycles	Bytes	Instruction Format	Flags
09	4	2	ADC A, expr	C, Z	76	7	2	INC [expr]	C, Z	20	5	1	POP X	
0A	6	2	ADC A, [expr]	C, Z	77	8	2	INC [X+expr]	C, Z	18	5	1	POP A	Z
0B	7	2	ADC A, [X+expr]	C, Z	Fx	13	2	INDEX	Z	10	4	1	PUSH X	
0C	7	2	ADC [expr], A	C, Z	Ex	7	2	JACC		08	4	1	PUSH A	
0D	8	2	ADC [X+expr], A	C, Z	Cx	5	2	JC		7E	10	1	RETI	C, Z
0E	9	3	ADC [expr], expr	C, Z	8x	5	2	JMP		7F	8	1	RET	
0F	10	3	ADC [X+expr], expr	C, Z	Dx	5	2	JNC		6A	4	1	RLC A	C, Z
01	4	2	ADD A, expr	C, Z	Bx	5	2	JNZ		6B	7	2	RLC [expr]	C, Z
02	6	2	ADD A, [expr]	C, Z	Ax	5	2	JZ		6C	8	2	RLC [X+expr]	C, Z
03	7	2	ADD A, [X+expr]	C, Z	7C	13	3	LCALL		28	11	1	ROMX	Z
04	7	2	ADD [expr], A	C, Z	7D	7	3	LJMP		6D	4	1	RRC A	C, Z
05	8	2	ADD [X+expr], A	C, Z	4F	4	1	MOV X, SP		6E	7	2	RRC [expr]	C, Z
06	9	3	ADD [expr], expr	C, Z	50	4	2	MOV A, expr	Z	6F	8	2	RRC [X+expr]	C, Z
07	10	3	ADD [X+expr], expr	C, Z	51	5	2	MOV A, [expr]	Z	19	4	2	SBB A, expr	C, Z
38	5	2	ADD SP, expr		52	6	2	MOV A, [X+expr]	Z	1A	6	2	SBB A, [expr]	C, Z
21	4	2	AND A, expr	Z	53	5	2	MOV [expr], A		1B	7	2	SBB A, [X+expr]	C, Z
22	6	2	AND A, [expr]	Z	54	6	2	MOV [X+expr], A		1C	7	2	SBB [expr], A	C, Z
23	7	2	AND A, [X+expr]	Z	55	8	3	MOV [expr], expr		1D	8	2	SBB [X+expr], A	C, Z
24	7	2	AND [expr], A	Z	56	9	3	MOV [X+expr], expr		1E	9	3	SBB [expr], expr	C, Z
25	8	2	AND [X+expr], A	Z	57	4	2	MOV X, expr		1F	10	3	SBB [X+expr], expr	C, Z
26	9	3	AND [expr], expr	Z	58	6	2	MOV X, [expr]		00	15	1	SSC	
27	10	3	AND [X+expr], expr	Z	59	7	2	MOV X, [X+expr]		11	4	2	SUB A, expr	C, Z
70	4	2	AND F, expr	C, Z	5A	5	2	MOV [expr], X		12	6	2	SUB A, [expr]	C, Z
41	9	3	AND reg[expr], expr	Z	5B	4	1	MOV A, X	Z	13	7	2	SUB A, [X+expr]	C, Z
42	10	3	AND reg[X+expr], expr	Z	5C	4	1	MOV X, A		14	7	2	SUB [expr], A	C, Z
64	4	1	ASL A	C, Z	5D	6	2	MOV A, reg[expr]	Z	15	8	2	SUB [X+expr], A	C, Z
65	7	2	ASL [expr]	C, Z	5E	7	2	MOV A, reg[X+expr]	Z	16	9	3	SUB [expr], expr	C, Z
66	8	2	ASL [X+expr]	C, Z	5F	10	3	MOV [expr], [expr]		17	10	3	SUB [X+expr], expr	C, Z
67	4	1	ASR A	C, Z	60	5	2	MOV reg[expr], A		4B	5	1	SWAP A, X	Z
68	7	2	ASR [expr]	C, Z	61	6	2	MOV reg[X+expr], A		4C	7	2	SWAP A, [expr]	Z
69	8	2	ASR [X+expr]	C, Z	62	8	3	MOV reg[expr], expr		4D	7	2	SWAP X, [expr]	
9x	11	2	CALL		63	9	3	MOV reg[X+expr], expr		4E	5	1	SWAP A, SP	Z
39	5	2	CMP A, expr		3E	10	2	MVI A, [ [expr]++ ]	Z	47	8	3	TST [expr], expr	Z
3A	7	2	CMP A, [expr]		3F	10	2	MVI [ [expr]++ ], A		48	9	3	TST [X+expr], expr	Z
3B	8	2	CMP A, [X+expr]	if (A=B) Z=1 if (A<B) C=1	40	4	1	NOP		49	9	3	TST reg[expr], expr	Z
3C	8	3	CMP [expr], expr		29	4	2	OR A, expr	Z	4A	10	3	TST reg[X+expr], expr	Z
3D	9	3	CMP [X+expr], expr		2A	6	2	OR A, [expr]	Z	72	4	2	XOR F, expr	C, Z
73	4	1	CPL A	Z	2B	7	2	OR A, [X+expr]	Z	31	4	2	XOR A, expr	Z
78	4	1	DEC A	C, Z	2C	7	2	OR [expr], A	Z	32	6	2	XOR A, [expr]	Z
79	4	1	DEC X	C, Z	2D	8	2	OR [X+expr], A	Z	33	7	2	XOR A, [X+expr]	Z
7A	7	2	DEC [expr]	C, Z	2E	9	3	OR [expr], expr	Z	34	7	2	XOR [expr], A	Z
7B	8	2	DEC [X+expr]	C, Z	2F	10	3	OR [X+expr], expr	Z	35	8	2	XOR [X+expr], A	Z
30	9	1	HALT		43	9	3	OR reg[expr], expr	Z	36	9	3	XOR [expr], expr	Z
74	4	1	INC A	C, Z	44	10	3	OR reg[X+expr], expr	Z	37	10	3	XOR [X+expr], expr	Z
75	4	1	INC X	C, Z	71	4	2	OR F, expr	C, Z	45	9	3	XOR reg[expr], expr	Z
										46	10	3	XOR reg[X+expr], expr	Z

**Note 1** Interrupt acknowledge to Interrupt Vector table = 13 cycles.

**Note 2** The number of cycles required by an instruction is increased by one for instructions that span 128 byte page boundaries in the Flash memory space.

## 2.5 Instruction Formats

The M8C has a total of seven instruction formats that use instruction lengths of one, two, and three bytes. All instruction bytes are taken from the program memory (Flash), using an address and data bus that are independent from the address and data buses used for register and RAM access.

While examples of instructions are given in this section, refer to the *PSoC Designer Assembly Language User Guide* for detailed information on individual instructions.

### 2.5.1 One-Byte Instructions

Many instructions, such as some of the MOV instructions, have single-byte forms because they do not use an address or data as an operand. As shown in [Table 2-3](#), one-byte instructions use an 8-bit opcode. The set of one-byte instructions are divided into four categories, according to where their results are stored.

Table 2-3. One-Byte Instruction Format

Byte 0
8-Bit Opcode

The first category of one-byte instructions are those that do not update any registers or RAM. Only the one-byte NOP and SSC instructions fit this category. While the **program counter** is incremented as these instructions execute, they do not cause any other internal M8C registers to update, nor do these instructions directly affect the register space or the RAM address space. The SSC instruction causes SROM code to run, which modifies RAM and the M8C internal registers.

The second category contains the two PUSH instructions. The PUSH instructions are unique because they are the only one-byte instructions that modify a RAM address. These instructions automatically increment the SP.

The third category contains the HALT instruction. The HALT instruction is unique because it is the only one-byte instruction that modifies a user register. The HALT instruction modifies user register space address FFh (CPU\_SCR0 register).

The final category for one-byte instructions are those that update the internal M8C registers. This category holds the largest number of instructions: ASL, ASR, CPL, DEC, INC, MOV, POP, RET, RETI, RLC, ROMX, RRC, SWAP. These instructions cause the A, X, and SP registers or SRAM to update.

### 2.5.2 Two-Byte Instructions

The majority of M8C instructions are two bytes in length. While these instructions are divided into categories identical to the one-byte instructions, this does not provide a useful distinction between the three two-byte instruction formats that the M8C uses.

Table 2-4. Two-Byte Instruction Formats

Byte 0	Byte 1
4-Bit Opcode	12-Bit Relative Address
8-Bit Opcode	8-Bit Data
8-Bit Opcode	8-Bit Address

The first two-byte instruction format, shown in the first row of [Table 2-4](#), is used by short jumps and calls: CALL, JMP, JACC, INDEX, JC, JNC, JNZ, JZ. This instruction format uses only 4 bits for the instruction opcode, leaving 12 bits to store the relative destination address in a two's-complement form. These instructions can change program execution to an address relative to the current address by -2048 or +2047.

The second two-byte instruction format, shown in the second row of [Table 2-4](#), is used by instructions that employ the Source Immediate addressing **mode** (see the *PSoC Designer Assembly Language User Guide*). The destination for these instructions is an internal M8C register, while the source is a constant value. An example of this type of instruction is ADD A, 7.

The third two-byte instruction format, shown in the third row of [Table 2-4](#), is used by a wide range of instructions and addressing modes. The following is a list of the addressing modes that use this third two-byte instruction format:

- Source Direct (ADD A, [7])
- Source Indexed (ADD A, [X+7])
- Destination Direct (ADD [7], A)
- Destination Indexed (ADD [X+7], A)
- Source Indirect Post Increment (MVI A, [7])
- Destination Indirect Post Increment (MVI [7], A)

For more information on addressing modes see the *PSoC Designer Assembly Language User Guide*.

### 2.5.3 Three-Byte Instructions

The three-byte instruction formats are the second most prevalent instruction formats. These instructions need three bytes because they either move data between two addresses in the user accessible address space (registers and RAM) or they hold 16-bit absolute addresses as the destination of a long jump or long call.

Table 2-5. Three-Byte Instruction Formats

Byte 0	Byte 1	Byte 2
8-Bit Opcode	16-Bit Address (MSB, LSB)	
8-Bit Opcode	8-Bit Address	8-Bit Data
8-Bit Opcode	8-Bit Address	8-Bit Address

The first instruction format, shown in the first row of [Table 2-5](#), is used by the `LJMP` and `LCALL` instructions. These instructions change program execution unconditionally to an absolute address. The instructions use an 8-bit opcode, leaving room for a 16-bit destination address.

The second three-byte instruction format, shown in the second row of [Table 2-5](#), is used by the following two addressing modes:

- Destination Direct Source Immediate (`ADD [7], 5`)
- Destination Indexed Source Immediate (`ADD [X+7], 5`)

The third three-byte instruction format, shown in the third row of [Table 2-5](#), is for the Destination Direct Source Direct addressing mode, which is used by only one instruction. This instruction format uses an 8-bit opcode followed by two 8-bit addresses. The first address is the destination address in RAM, while the second address is the source address in RAM. The following is an example of this instruction:

```
MOV [7], [5]
```

## 2.6 Register Definitions

The following register is associated with the CPU Core (M8C). The register description has an associated register table showing the bit structure. The bits that are grayed out in the table are reserved bits and are not detailed in the register description that follows. Always write reserved bits with a value of '0'.

### 2.6.1 CPU\_F Register

Address	Name	Bit 7	Bit 6	Bit 5	Bit 4	Bit 3	Bit 2	Bit 1	Bit 0	Access
x,F7h	CPU_F	PgMode[1:0]			XIO		Carry	Zero	GIE	RL : 02

**LEGEND**

L The AND F, expr; OR F, expr; and XOR F, expr flag instructions can be used to modify this register.

x An "x" before the comma in the address field indicates that this register can be read or written to no matter what bank is used.

The M8C Flag Register (CPU\_F) provides read access to the M8C flags.

**Bits 7 and 6: PgMode[1:0].** PgMode determines how the CUR\_PP, STK\_PP, and IDX\_PP registers are used in forming effective RAM addresses for Direct Address mode and Indexed Address mode operands. PgMode also determines whether the stack page is determined by the STK\_PP or IDX\_PP register. (See the [Register Definitions on page 42](#) in the RAM Paging chapter.)

**Bit 4: XIO.** The I/O bank select bit, also known as the register bank select bit, is used to select the register bank that is active for a register read or write. This bit allows the PSoC device to have 512 8-bit registers and is thought of as the ninth address bit for registers. The address space accessed when the XIO bit is set to '0' is called **user space**, while address space accessed when the XIO bit is set to '1' is called **configuration space**.

**Bit 2: Carry.** The Carry flag bit is set or cleared in response to the result of several instructions. It is also manipulated by

the flag logic opcodes (for example, OR F, 4). See the *PSoC Designer Assembly Language User Guide* for more details.

**Bit 1: Zero.** The Zero flag bit is set or cleared in response to the result of several instructions. It is also manipulated by the flag logic opcodes (for example, OR F, 2). See the *PSoC Designer Assembly Language User Guide* for more details.

**Bit 0: GIE.** The state of the Global Interrupt Enable bit determines whether interrupts (by way of the interrupt request (IRQ)) are recognized by the M8C. This bit is set or cleared using the flag logic instructions (for example, OR F, 1). GIE is also automatically cleared when an interrupt is processed, after the flag byte has been stored on the stack, preventing nested interrupts. If wanted, set the bit in an **interrupt service routine (ISR)**. For GIE=1, the M8C samples the IRQ input for each instruction. For GIE=0, the M8C ignores the IRQ.

For additional information, refer to the [CPU\\_F register on page 254](#).

### 2.6.2 Related Registers

The following registers are related to the M8C block:

- [CPU\\_SCR1 register on page 257](#).
- [CPU\\_SCR0 register on page 258](#).



# 3. Supervisory ROM (SROM)



This chapter discusses the Supervisory ROM (SROM) functions. For a quick reference of all PSoC registers in address order, refer to the [Register Reference chapter on page 187](#).

## 3.1 Architectural Description

The SROM holds code that boots a PSoC device, calibrates circuitry, and performs Flash operations. The functions provided by the SROM are called from code stored in the Flash or by device programmers.

The SROM is used to boot the part and provide interface functions to the Flash blocks. (Table 3-1 lists the SROM functions.) The SROM functions are accessed by executing the Supervisory System Call instruction (SSC), which has an opcode of 00h. Before executing the SSC, the M8C's accumulator needs to load with the wanted SROM function code from Table 3-1.

Attempting to access undefined functions (Reserved functions) causes a HALT. The SROM functions execute code with calls; therefore, the functions require stack space. With the exception of Reset, all of the SROM functions have a parameter block in SRAM that you must configure before executing the SSC.

Table 3-2 lists all possible parameter block variables. The meaning of each parameter, with regards to a specific SROM function, is described later in this chapter. Because the SSC instruction clears the CPU\_F PgMode bits, all parameter block variable addresses are in SRAM Page 0. The CPU\_F value is automatically restored at the end of the SROM function.

The MVR\_PP and the MVW\_PP pointers are not disabled by clearing the CPU\_F PgMode bits. Therefore, the POINTER parameter is interpreted as an address in the page indicated by the MVI page pointers, when the supervisory operation is called. This allows the data buffer used in the supervisory operation to be located in any SRAM page. (See the [RAM Paging chapter on page 39](#) for more details regarding the MVR\_PP and MVW\_PP pointers.)

Table 3-1. List of SROM Functions

Function Code	Function Name	Required Stack Space	Page
00h	SWBootReset	0	34
01h	ReadBlock	7	35
02h	WriteBlock	7	35
03h	EraseBlock	5	36
06h	TableRead	3	36
07h	Checksum	4	37
08h	Calibrate0	4	37
09h	Calibrate1	3	37
0Ah	WriteAndVerify	7	37
0Fh	HWBootReset	3	38

Note ProtectBlock and EraseAll (described on page 36) SROM functions are not listed in the table above because they are dependent on external programming.

Table 3-2. SROM Function Variables

Variable Name	SRAM Address
KEY1/RETURN CODE	0,F8h
KEY2	0,F9h
BLOCKID	0,FAh
POINTER	0,FBh
CLOCK	0,FCh
Reserved	0,FDh
DELAY	0,FEh
Reserved	0,FFh

Note CLOCK and DELAY are ignored and are reserved for future use.

Two important variables that are used for all functions are KEY1 and KEY2. These variables are used to help discriminate between valid SSCs and inadvertent SSCs. KEY1 must always have a value of 3Ah, while KEY2 must have the same value as the stack pointer when the SROM function begins execution. This is the SP (Stack Pointer) value when the SSC opcode is executed, plus three. For all SROM functions except SWBootReset, if either of the keys do not match the expected values, the M8C halts. The SWBootReset function does not check the key values. It only checks to see if the accumulator's value is 0x00.

The following code example puts the correct value in KEY1 and KEY2. The code is preceded by a `HALT`, to force the program to jump directly into the setup code and not accidentally run into it.

```

1.      halt
2.      SSCOP: mov [KEY1], 3ah
3.      mov X, SP
4.      mov A, X
5.      add A, 3
6.      mov [KEY2], A

```

### 3.1.1 Additional SROM Feature

**Return Codes:** These aid in the determination of success or failure of a particular function. The return code is stored in KEY1's position in the parameter block. The Checksum and TableRead functions do not have return codes because KEY1's position in the parameter block is used to return other data.

Table 3-3. SROM Return Code Meanings

Return Code Value	Description
00h	Success.
01h	Function not allowed because of block level protection.
02h	Software reset without hardware reset.
03h	Fatal error, SROM halted.
04h	Write and Verify error.
06h	Failure of Smartwrite parameters CheckSum

**Note** Read, write, and erase operations may fail if the target block is read or write protected. Block protection levels are set during device programming and cannot be modified from code in the PSoC device.

### 3.1.2 SROM Function Descriptions

#### 3.1.2.1 SWBootReset Function

The SROM function SWBootReset is responsible for transitioning the device from a reset state to running user code. See Chapter "System Resets" on page 135 for more information on what events causes the SWBootReset function to execute.

The SWBootReset function executes whenever the SROM is entered with an M8C accumulator value of 00h; the SRAM parameter block is not used as an input to the function. This happens, by design, after a hardware reset because the M8C's accumulator is reset to 00h or when user code executes the `SSC` instruction with an accumulator value of 00h.

If the checksum of the calibration data is valid, the SWBootReset function ends by setting the internal M8C registers (CPU\_SP, CPU\_PC, CPU\_X, CPU\_F, CPU\_A) to 00h, writing 00h to most SRAM addresses in SRAM Page 0, and then begins to execute user code at address 0000h. (See Table 3-5 and the following paragraphs for more information on which SRAM addresses are modified.) If the checksum is

not valid, an internal reset is executed and the boot process starts over. If this condition occurs, the internal reset status bit (IRESS) is set in the CPU\_SCR1 register.

In devices with more than 256 bytes of SRAM, no SRAM is modified by the SWBootReset function in SRAM pages numbered higher than '0'.

Table 3-5 documents the value of all the SRAM addresses in Page 0 after a successful SWBootReset. A value of "xx" indicates that the SRAM address is not modified by the SWBootReset function. A hex value indicates that the address always has the indicated value after a successful SWBootReset. A "??" indicates that the value, after a SWBootReset, is determined by the value of the IRAMDIS bit in the CPU\_SCR1 register. If IRAMDIS is not set, these addresses are initialized to 00h. If IRAMDIS is set, these addresses are not modified by a SWBootReset after a watchdog reset.

The IRAMDIS bit allows the preservation of variables even if a watchdog reset (WDR) occurs. The IRAMDIS bit is reset by all system resets except watchdog reset. Therefore, this bit is only useful for watchdog resets and not general resets.

Table 3-5. SRAM Map Post SWBootReset (00h)

Address	0	1	2	3	4	5	6	7
	8	9	A	B	C	D	E	F
0x0_	0x00	0x00	0x00	??	??	??	??	??
	??	??	??	??	??	??	??	??
0x1_	??	??	??	??	??	??	??	??
	??	??	??	??	??	??	??	??
0x2_	??	??	??	??	??	??	??	??
	??	??	??	??	??	??	??	??
0x3_	??	??	??	??	??	??	??	??
	??	??	??	??	??	??	??	??
0x4_	??	??	??	??	??	??	??	??
	??	??	??	??	??	??	??	??
0x5_	??	??	??	??	??	??	??	??
	??	??	??	??	??	??	??	??
0x6_	??	??	??	??	??	??	??	??
	??	??	??	??	??	??	??	??
0x7_	??	??	??	??	??	??	??	??
	??	??	??	??	??	??	??	??
0x8_	??	??	??	??	??	??	??	??
	??	??	??	??	??	??	??	??
0x9_	??	??	??	??	??	??	??	??
	??	??	??	??	??	??	??	??
0xA_	??	??	??	??	??	??	??	??
	??	??	??	??	??	??	??	??
0xB_	??	??	??	??	??	??	??	??
	??	??	??	??	??	??	??	??
0xC_	??	??	??	??	??	??	??	??
	??	??	??	??	??	??	??	??
0xD_	0x00	0x00	0x00	0x00	0x00	0x00	0x00	0x00
	0x00	0x00	0x00	0x00	0x00	0x00	0x00	0x00
0xE_	0x00	0x00	0x00	0x00	0x00	0x00	0x00	0x00
	0x00	0x00	0x00	0x00	0x00	0x00	0x00	0x00
0xF_	0x00						??	??
	0x02	Xx	0x00	0x00	0xn	xx	0x00	0x00
	0x06							

Address F8h is the return code byte for all SROM functions (except Checksum and TableRead); for this function, the only acceptable values are 00h, 02h, and 06h. Address FCh is the fail count variable. After POR (Power on Reset), WDR, or XRES (External Reset), the variable is initialized to 00h by the SROM. Each time the Checksum fails, the fail count is incremented. Therefore, if it takes two passes through SWBootReset to get a good Checksum, the fail count is 01h.

### 3.1.2.2 ReadBlock Function

The ReadBlock function is used to read 128 contiguous bytes from Flash: a block. The device has 32 KB of Flash

and has two hundred fifty-six 128-byte blocks. Valid block IDs are 0x00 to 0xFF.

Table 3-6. Flash Memory Organization

PSoC Device	Amount of Flash	Amount of SRAM	Number of Blocks per Bank	Number of Banks
CY8CTMG200, CY8CTST200	32 KB	2K Bytes	256	1

The first thing the ReadBlock function does is check the protection bits to determine if the wanted BLOCKID is readable. If read protection is turned on, the ReadBlock function exits setting the accumulator and KEY2 back to 00h. KEY1 has a value of 01h indicating a read failure.

If read protection is not enabled, the function reads 128 bytes from the Flash using a ROMX instruction and stores the results in SRAM using an MVI instruction. The 128 bytes are stored in SRAM, beginning at the address indicated by the value of the POINTER parameter. When the ReadBlock completes successfully, the accumulator, KEY1, and KEY2 has a value of 00h.

**Note** An MVI [expr], A stores the Flash block contents in SRAM meaning that you can use the MVW\_PP register to indicate which SRAM pages receive the data.

Table 3-7. ReadBlock Parameters (01h)

Name	Address	Type	Description
MVW_PP	0,D5h	Register	MVI write page pointer register.
KEY1	0,F8h	RAM	3Ah.
KEY2	0,F9h	RAM	Stack Pointer value+3, when SSC is executed.
BLOCKID	0,FAh	RAM	Flash block number.
POINTER	0,FBh	RAM	Addresses in SRAM to store returned data.

### 3.1.2.3 WriteBlock Function

The WriteBlock function stores data in the Flash. No verification of the data is performed, but execution time is about 1 ms less than the WriteAndVerify function. The WriteAndVerify function is the recommended method for altering the data in one Block of Flash (see "WriteAndVerify Function" on page 37). Data moves 128 bytes at a time from SRAM to Flash. This is a two-step process, the first step is to load the page latch with 128 bytes of data and it is followed by the programming of the corresponding block of Flash. No erase is needed before WriteBlock.

If write protection is turned on, then the WriteBlock function exits, setting the accumulator and KEY2 back to 00h. KEY1 has a value of 01h, indicating a write failure. Write protection is set when the PSoc device is programmed externally and cannot be changed through the SSC function.

The BLOCKID of the Flash block, where the data is stored, must be determined and stored at SRAM address FAh. Valid block IDs are 0x00 to 0xFF.

An `MVI A, [expr]` instruction is used to move data from SRAM into Flash. Therefore, use the `MVI` read pointer (`MVR_PP` register) to specify which SRAM page from which data is pulled. Using the `MVI` read pointer and the parameter blocks `POINTER` value allows the `SROM WriteBlock` function to move data from any SRAM page into any Flash block.

The SRAM address, the first of the 128 bytes to store in Flash, is indicated using the `POINTER` variable in the parameter block (SRAM address `FBh`).

Table 3-8. WriteBlock Parameters (02h)

Name	Address	Type	Description
<code>MVR_PP</code>	<code>0,D4h</code>	Register	<code>MVI</code> read page pointer register.
<code>KEY1</code>	<code>0,F8h</code>	RAM	<code>3Ah</code> .
<code>KEY2</code>	<code>0,F9h</code>	RAM	Stack Pointer value+3, when <code>SSC</code> is executed.
<code>BLOCKID</code>	<code>0,FAh</code>	RAM	Flash block number.
<code>POINTER</code>	<code>0,FBh</code>	RAM	First of 128 addresses in SRAM, where the data to be stored in Flash, is located before calling <code>WriteBlock</code> .

### 3.1.2.4 EraseBlock Function

The `EraseBlock` function is not recommended for use. The functionality is redundant with the `WriteBlock` and `WriteAndVerify` functions. The only practical use is for clearing all data in a 128 byte block of contiguous bytes in Flash to `0x00`. If used, it should not be called repeatedly on the same block. It may be used between `WriteAndVerify` or `WriteBlock` operations.

If write protection is turned on, then the `EraseBlock` function exits, setting the accumulator and `KEY2` back to `00h`. `KEY1` has a value of `01h`, indicating a write failure.

To set up the parameter block for the `EraseBlock` function, store the correct key values in `KEY1` and `KEY2`. The block number to erase must be stored in the `BLOCKID` variable.

Table 3-9. EraseBlock Parameters (03h)

Name	Address	Type	Description
<code>KEY1</code>	<code>0,F8h</code>	RAM	<code>3Ah</code> .
<code>KEY2</code>	<code>0,F9h</code>	RAM	Stack Pointer value+3, when <code>SSC</code> is executed.
<code>BLOCKID</code>	<code>0,FAh</code>	RAM	Flash block number.

### 3.1.2.5 ProtectBlock Function

The PSoC devices offer Flash protection on a block-by-block basis. [Table 3-10](#) lists the protection modes available. In the table, `ER` and `EW` indicate the ability to perform external reads and writes (that is, by an external programmer). For internal writes, `IW` is used. Internal reading is always permitted by way of the `ROMX` instruction. An `SR` indicates the ability to read by way of the `SROM ReadBlock` function.

In this table, note that all protection is removed by `EraseAll`.

Table 3-10. Protect Block Modes

Mode	Settings	Description	In PSoC Designer
<code>00b</code>	<code>SR ER EW IW</code>	Unprotected	U = Unprotected
<code>01b</code>	<code>SR ER EW IW</code>	Read protect	F = Factory upgrade
<code>10b</code>	<code>SR ER EW IW</code>	Disable external write	R = Field upgrade
<code>11b</code>	<code>SR ER EW IW</code>	Disable internal write	W = Full protection

Table 3-11. Protection Level Bit Packing

7	6	5	4	3	2	1	0
Block n+3		Block n+2		Block n+1		Block n	

### 3.1.2.6 TableRead Function

The `TableRead` function gives the user access to part-specific data stored in the Flash during manufacturing. The Flash for these tables is separate from the program Flash and is not directly accessible. It also returns a revision ID for the die (do not confuse this with the silicon ID stored in the `Table 0` row in [Table 3-14](#)).

There are four 8-byte tables in the `CY8CTMG20x`, `CY8CTST200` devices.

Table 3-12. TableRead Parameters (06h)

Name	Address	Type	Description
<code>KEY1</code>	<code>0,F8h</code>	RAM	<code>3Ah</code> .
<code>KEY2</code>	<code>0,F9h</code>	RAM	Stack Pointer value+3, when <code>SSC</code> is executed.
<code>BLOCKID</code>	<code>0,FAh</code>	RAM	Table number to read.

### 3.1.2.7 EraseAll Function

The `EraseAll` function performs a series of steps that destroys the user data in the Flash banks and resets the protection block in each Flash bank to all zeros (the unprotected state). This function is only executed by an external programmer. If `EraseAll` is executed from code, the `M8C HALTs` without touching the Flash or protections. See [Table 3-13](#). The three other hidden blocks above the protection block, in each Flash bank, are not affected by the `EraseAll`.

Table 3-13. EraseAll Parameters (05h)

Name	Address	Type	Description
<code>KEY1</code>	<code>0,F8h</code>	RAM	<code>3Ah</code> .
<code>KEY2</code>	<code>0,F9h</code>	RAM	Stack Pointer value+3, when <code>SSC</code> is executed.

Table 3-14. Flash Tables with Assigned Values

Table 0	Silicon ID Low Byte		Reserved				
Table 0	Silicon ID High Byte Expected Numbers = # Bits Used to Encode = Max Values (including 0) = Bits Targeted =		Reserved				
Table 1	IMO 6 MHz trim	IMO 12 MHz trim	IMO 24 MHz trim	IMO 24 MHz USB trim (high power)	Reserved		
Table 2	Reserved						
Table 3	Reserved						

### 3.1.2.8 Checksum Function

The Checksum function calculates a 16-bit checksum over a user specifiable number of blocks, within a single Flash bank starting at block zero. The BLOCKID parameter is used to pass in the number of blocks to checksum. A BLOCKID value of '1' calculates the checksum of only block 0, while a BLOCKID value of '0' calculates the checksum of the entire Flash bank.

The 16-bit checksum is returned in KEY1 and KEY2. The parameter KEY1 holds the lower 8 bits of the checksum and the parameter KEY2 holds the upper 8 bits of the checksum.

Table 3-15. Checksum Parameters (07h)

Name	Address	Type	Description
KEY1	0,F8h	RAM	3Ah.
KEY2	0,F9h	RAM	Stack Pointer value+3, when SSC is executed.
BLOCKID	0,FAh	RAM	Number of Flash blocks from which to calculate the checksum.

### 3.1.2.9 Calibrate0 Function

This function may be executed at any time to set all calibration values. However, it is unnecessary to call this function. This function is simply documented for completeness. The calibration values are accessed by way of the TableRead function, which is described in the section titled [TableRead Function, on page 36](#).

Table 3-16. Calibrate0 Parameters (08h)

Name	Address	Type	Description
KEY1	0,F8h	RAM	3Ah.
KEY2	0,F9h	RAM	Stack Pointer value+3, when SSC is executed.

### 3.1.2.10 Calibrate1 Function

While the Calibrate1 function is a completely separate function from Calibrate0, they perform the same task, which is to transfer the calibration values stored in a special area of Flash to their appropriate registers. What is unique about Calibrate1 is that it calculates a checksum of the calibration

data and, if that checksum is determined as invalid, Calibrate1 causes a **hardware reset** by generating an internal reset. If this occurs, it is indicated by setting the Internal Reset Status bit (IRESS) in the CPU\_SCR1 register.

The Calibrate1 function uses SRAM to calculate a checksum of the calibration data. The POINTER value is used to indicate the address of a 38-byte buffer used by this function. When the function completes, the 38 bytes are set to 00h.

An `MVI A, [expr]` and an `MVI [expr], A` instruction are used to move data between SRAM and Flash. Therefore, the `MVI` write pointer (MVW\_PP) and the `MVI` read pointer (MVR\_PP) must be specified to the same SRAM page to control the page of RAM used for the operations.

Calibrate1 was created as a sub-function of SWBootReset and the Calibrate1 function code was added to provide direct access. For more information on how Calibrate1 works, see [SWBootReset Function on page 34](#).

This function may be executed at any time to reset all calibration values. However, it is unnecessary to call this function. This function is simply documented for completeness. The calibration values are accessed by way of the TableRead function, which is described in the section titled [TableRead Function on page 36](#).

Table 3-17. Calibrate1 Parameters (09h)

Name	Address	Type	Description
KEY1	0,F8h	RAM	3Ah.
KEY2	0,F9h	RAM	Stack Pointer value+3, when SSC is executed.
POINTER	0,FBh	RAM	First of 30 SRAM addresses used by this function.
MVR_PP	0,D4h	Register	<code>MVI</code> write page pointer.
MVW_PP	0,D5h	Register	<code>MVI</code> read page pointer.

### 3.1.2.11 WriteAndVerify Function

WriteAndVerify is the recommend function for modifying one block of data in Flash. The WriteAndVerify function works exactly the same as the WriteBlock function except that the flash data is verified after the Write. The execution time is

about 1 ms longer than WriteBlock (but still within the Twrite spec). The function performs a three-step process. In the first step, 128 bytes of data are moved from SRAM to the Flash. In the second step, Flash is programmed with the data. In the final step the Flash data are compared against the input data values, thus verifying that the write was successful. The write and verify is one SROM operation; therefore, the SROM is not exited until the verify is completed.

The parameters for this block are identical to the WriteBlock (see [WriteBlock Function on page 35](#)). If the verify operation fails, the 0x04 error code is returned at SRAM address 0xF8

Table 3-18. WriteAndVerify Parameters (0Ah)

Name	Address	Type	Description
KEY1	0,F8h	RAM	3Ah.
KEY2	0,F9h	RAM	Stack Pointer value+3, when SSC is executed.
BLOCKID	0,FAh	RAM	Flash block number.
POINTER	0,FBh	RAM	First of 128 addresses in SRAM, where the data to be stored in Flash, is located before calling WriteBlock.

### 3.1.2.12 HWBootReset Function

The HWBootReset function is used to force a hardware reset. A hardware reset causes all registers to go back to their POR state. Then, the SROM SWBootReset function executes, followed by Flash code execution beginning at address 0x0000.

The HWBootReset function only requires that the CPU\_A, KEY1, and KEY2 be set up correctly. As with all other SROM functions, if the setup is incorrect, the SROM executes a HALT. Then, either a POR, XRES, or WDR is needed to clear the HALT. See [Chapter “System Resets” on page 135](#) for more information.

Table 3-19. HWBootReset Parameters (0Fh)

Name	Address	Type	Description
KEY1	0,F8h	RAM	3Ah.
KEY2	0,F9h	RAM	Stack Pointer value+3, when SSC is executed.

## 3.2 Register Definitions

This chapter has no register detail information because there are no registers directly assigned to the Supervisory ROM.

# 4. RAM Paging



This chapter explains the PSoC device's use of RAM Paging and its associated registers. For a complete table of the RAM paging registers, refer to the [Summary Table of the Core Registers on page 24](#). For a quick reference of all PSoC registers in address order, refer to the [Register Reference chapter on page 187](#).

## 4.1 Architectural Description

The M8C is an 8-bit CPU with an 8-bit memory address bus. The memory address bus allows the M8C to access up to 256 bytes of SRAM, to increase the amount of available SRAM and preserve the M8C *assembly* language. The PSoC device has 1K and 2K bytes of SRAM with eight pages of memory architecture.

To take full advantage of the paged memory architecture of the PSoC device, you use several registers and manage two CPU\_F register bits. However, the Power On Reset (POR) value for all of the paging registers and CPU\_F bits is zero. This places the PSoC device in a mode identical to devices with only 256 bytes of SRAM. There is no need to understand all of the Paging registers to take advantage of the additional SRAM available in some devices. To use the additional SRAM pages you modify the memory paging logic reset state.

The memory paging architecture consists of five areas:

- Stack Operations
- Interrupts
- MVI Instructions
- Current Page Pointer
- Indexed Memory Page Pointer

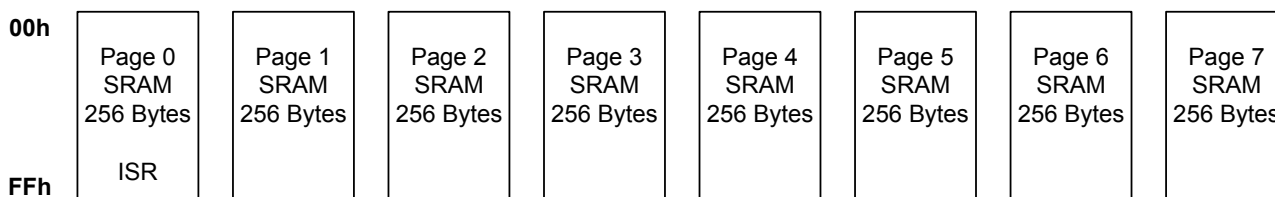
The first three of these areas do not depend upon the CPU\_F register's PgMode bits and are covered in the next subsections after Basic Paging. The function of the last two depend upon the CPU\_F PgMode bits and are covered last.

### 4.1.1 Basic Paging

To increase the amount of SRAM, the M8C accesses memory page bits. The memory page bits are located in the CUR\_PP register and allow for selection of one of eight SRAM pages. In addition to setting the page bits, Page mode is enabled by setting the CPU\_F[7] bit. If Page mode is not enabled, the page bits are ignored and all non-stack memory access is directed to Page 0.

After Page mode is enabled and the page bits are set, all instructions that operate on memory access the SRAM page indicated by the page bits. The exceptions to this are the instructions that operate on the stack and the MVI instructions: PUSH, POP, LCALL, RETI, RET, CALL, and MVI. See the description of [Stack Operations](#) and [MVI Instructions](#) below for a more detailed discussion.

Figure 4-1. Data Memory Organization



## 4.1.2 Stack Operations

As mentioned previously, the paging architecture's reset state puts the in a mode identical to that of a 256-byte device. Therefore, upon reset, all memory accesses are to Page 0. The SRAM page that stack operations use is determined by the value of the three least significant bits (LSb) of the Stack Page Pointer register (STK\_PP). Stack operations have no dependency on the PgMode bits in the CPU\_F register. Stack operations are those that use the Stack Pointer (SP) to calculate their affected address. Refer to the *PSoC Designer Assembly Language User Guide* for more information on all M8C instructions.

Stack memory accesses are a special case. If they were not, the stack could fragment across several pages. To prevent the stack from fragmenting, all instructions that operate on the stack automatically use the page indicated by the STK\_PP register. Therefore, if the program encounters a CALL, the PSoC device automatically pushes the program counter onto the stack page indicated by STK\_PP. After the program counter is pushed, the SRAM paging mode automatically switches back to the precall mode. All other stack operations, such as RET and POP, follow the same rule as CALL. The stack is confined to a single SRAM page and the Stack Pointer wraps from 00h to FFh and FFh to 00h. The user code must ensure that the stack is not damaged because of stack wrapping.

Because the value of the STK\_PP register can change at any time, it is theoretically possible to manage the stack in such a way as to allow it to grow beyond one SRAM page or manage multiple stacks. However, the only supported use of the STK\_PP register is when its value is set before the first stack operation and not changed again.

## 4.1.3 Interrupts

Interrupts, in a multipage SRAM PSoC device, operate the same as interrupts in a 256-byte device. However, because the CPU\_F register is automatically set to 0x00 on an interrupt and because of the nonlinear nature of interrupts in a system, other parts of the memory paging architecture can be affected.

Interrupts are an abrupt change in program flow. If no special action is taken on interrupts by the PSoC device, the **interrupt service routine (ISR)** could be thrown into any SRAM page. To prevent this problem, the special addressing modes for all memory accesses, except for stack and MVI, are disabled when an ISR is entered. The special addressing modes are disabled when the CPU\_F register is cleared. At the end of the ISR, the previous SRAM addressing mode is restored when the CPU\_F register value is restored by the RETI instruction.

All interrupt service **routine** code starts execution in SRAM Page 0. If the ISR must change to another SRAM page, do this by changing the values of the CPU\_F[7:6] bits to enable the special SRAM addressing modes. However, any change

made to the CUR\_PP, IDX\_PP, or STK\_PP registers persists after the ISR returns. Therefore, have the ISR save the current value of any paging register it modifies and restore its value before the ISR returns.

## 4.1.4 MVI Instructions

MVI instructions use data page pointers of their own (MVR\_PP and MVW\_PP). This allows a data buffer to be located away from other program variables, but accessible without changing the Current Page Pointer (CUR\_PP).

An MVI instruction performs three memory operations. Both forms of the MVI instruction access an address in SRAM that holds the data pointer (a memory read 1st access), incrementing that value and then storing it back in SRAM (a memory write 2nd access). This pointer value must reside in the current page, just as all other nonstack and nonindexed operations on memory. However, the third memory operation uses the MVx\_PP register. This third memory access is either a read or a write, depending upon which MVI instruction is used. The MVR\_PP pointer is used for the MVI instruction that moves data into the accumulator. The MVW\_PP pointer is used for the MVI instruction that moves data from the accumulator into SRAM. The MVI pointers are always enabled, regardless of the state of the Flag register page bits (CPU\_F register).

## 4.1.5 Current Page Pointer

The Current Page Pointer determines which SRAM page is used for all memory accesses. Normal memory accesses are those not covered by other pointers including all nonstack, non-MVI, and nonindexed memory access instructions. The normal memory access instructions have the SRAM page they operate on determined by the value of the CUR\_PP register. By default, the CUR\_PP register has no affect on the SRAM page that is used for normal memory access, because all normal memory access is forced to SRAM Page 0.

The upper bit of the PgMode bits in the CPU\_F register determine if the CUR\_PP register affects normal memory access. When the upper bit of the PgMode bits is set to '0', all normal memory access is forced to SRAM Page 0. This mode is automatically enabled when an Interrupt Service Routine (ISR) is entered. This is because, before the ISR is entered, the M8C pushes the current value of the CPU\_F register onto the stack and then clears the CPU\_F register. Therefore, by default, any normal memory access in an ISR is guaranteed to occur in SRAM Page 0.

When the RETI instruction is executed to end the ISR, the previous value of the CPU\_F register is restored, returning to the previous page mode. This is the default ISR behavior and that it is possible to change the PgMode bits in the CPU\_F register while in an ISR. If the PgMode bits are changed while in an ISR, the pre-ISR value is still restored by the RETI; but if the CUR\_PP register is changed in the



ISR, the ISR is also required to restore the value before executing the `RETI` instruction.

When the upper bit of the PgMode bits is set to '1', all normal memory access is forced to the SRAM page indicated by the `CUR_PP` register value. [Table 4-1](#) summarizes the PgMode bit values and the corresponding Memory Paging mode.

### 4.1.6 Index Memory Page Pointer

The Source Indexed and Destination Indexed addressing modes to SRAM are treated as a unique addressing mode in a PSoC device with more than one page of SRAM. An example of an indexed addressing mode is the `MOV A, [X+expr]` instruction. Register access has indexed addressing as well; however, those instructions are not affected by the SRAM paging architecture.

**Important Note** `INT_CLR2` If you are not using assembly to program a PSoC device, be aware that the **compiler** writer may restrict the use of some memory paging modes. Review the conventions in your compiler's user guide for more information on restrictions or conventions associated with memory paging modes.

Indexed SRAM accesses operate in one of three modes:

- Index memory access modes are forced to SRAM Page 0.
- Index memory access modes are directed to the SRAM page indicated by the value in the `STK_PP` register.
- Index memory access is forced to the SRAM page indicated by the value in the `IDX_PP` register.

The mode is determined by the value of the PgMode bits in the `CPU_F` register. However, the final SRAM page that is used also requires setting either the Stack Page Pointer (`STK_PP`) register or the Index Page Pointer (`IDX_PP`) register. The table below shows the three indexed memory access modes. The third column of the table is provided for reference only.

Table 4-1. CPU\_F PgMode Bit Modes

CPU_F PgMode Bits	Current SRAM Page	Indexed SRAM Page	Typical Use
00b	0	0	ISR*
01b	0	STK_PP	ISR with variables on stack
10b	CUR_PP	IDX_PP	
11b	CUR_PP	STK_PP	

\* Mode used by SROM functions initiated by the `SSC` instruction.

After reset, the PgMode bits are set to 00b. In this mode, index memory accesses are forced to SRAM Page 0, just as they are in a PSoC device with only 256 bytes of SRAM. This mode is also automatically enabled when an interrupt occurs in a PSoC device and is considered the default ISR mode. This is because before the ISR is entered, the M8C pushes the current value of the `CPU_F` register onto the stack and then clears the `CPU_F` register. Thus, by default, any indexed memory access in an ISR is guaranteed to occur in SRAM Page 0. When the `RETI` instruction executes to end the ISR, the previous value of the `CPU_F` register is restored as is the previous page mode. Note that this ISR behavior is the default and that the PgMode bits in the `CPU_F` register may be changed while in an ISR. If the PgMode bits are changed while in an ISR, the pre-ISR value is still restored by the `RETI`; but if the `STK_PP` or `IDX_PP` registers are changed in the ISR, the ISR is also required to restore the values before executing the `RETI` instruction.

The most likely PgMode bit change, while in an ISR, is from the default value of 00b to 01b. In the 01b mode, indexed memory access is directed to the SRAM page indicated by the value of the `STK_PP` register. By using the PgMode, modification of the `STK_PP` register value is unnecessary. The `STK_PP` register determines on which SRAM page the stack is located. The 01b paging mode is intended to provide easy access to the stack, while in an ISR, by setting the `CPU_X` register (just X in instruction format) equal to value of SP using `MOV X, SP` instruction.

The two previous paragraphs covered two of the three indexed memory access modes: `STK_PP` and forced to SRAM Page 0. Note, as shown in [Table 4-1](#), that the `STK_PP` mode for indexed memory access is available under two PgMode settings. The 01b mode is intended for ISR use and the 11b mode is intended for non-ISR use. The third indexed memory access mode requires the PgMode bits to be set to 10b. In this mode indexed memory access is forced to the SRAM page indicated by the value of the `IDX_PP` register.

## 4.2 Register Definitions

The following registers are associated with RAM Paging and are listed in address order. The register descriptions have an associated register table showing the bit structure for that register. The bits in the tables that are grayed out are reserved bits and are not detailed in the register descriptions that follow. Always write reserved bits with a value of '0'. For a complete table of RAM Paging registers, refer to the [Summary Table of the Core Registers on page 24](#).

### 4.2.1 TMP\_DRx Registers

Address	Name	Bit 7	Bit 6	Bit 5	Bit 4	Bit 3	Bit 2	Bit 1	Bit 0	Access
x,6xh	TMP_DRx									RW : 00

**LEGEND**

x An 'x' before the comma in the address field indicates that this register can be read or written to no matter what bank is used. An "x" after the comma in the address field indicates that there are multiple instances of the register.

The Temporary Data Registers (TMP\_DR0, TMP\_DR1, TMP\_DR2, and TMP\_DR3) enhance the performance in multiple SRAM page PSoC devices.

These registers have no predefined function (for example, the compiler and hardware do not use these registers) and exist for the user to define.

**Bits 7 to 0: Data[7:0].** Due to the paged SRAM architecture of PSoC devices with more than 256 bytes of SRAM, a

value in SRAM is not always accessible without first changing the current page. The TMP\_DRx registers are readable and writable registers that are provided to improve the performance of multiple SRAM page PSoC devices, by supplying some register space for data that is always accessible.

For an expanded listing of the TMP\_DRx registers, refer to the [Summary Table of the Core Registers on page 24](#). For additional information, refer to the [TMP\\_DRx register on page 266](#).

### 4.2.2 CUR\_PP Register

Address	Name	Bit 7	Bit 6	Bit 5	Bit 4	Bit 3	Bit 2	Bit 1	Bit 0	Access
0,D0h	CUR_PP									RW : 00

The Current Page Pointer Register (CUR\_PP) sets the effective SRAM page for normal memory accesses in a multi-SRAM page PSoC device.

**Bits 2 to 0: Page Bits[2:0].** These bits affect the SRAM page that is accessed by an instruction when the CPU\_F[7:6] bits have a value of either 10b or 11b. Source Indexed, Destination Indexed addressing modes, and stack instructions, are never affected by the value of the CUR\_PP register. (See the STK\_PP and IDX\_PP registers for more information.)

The Source Indirect Post Increment and Destination Indirect Post Increment addressing modes, better known as MVI, are only partially affected by the value of the CUR\_PP register. For MVI instructions, the pointer address is in the SRAM page indicated by CUR\_PP, but the address pointed to may be in another SRAM page.

See the MVR\_PP and MVW\_PP register descriptions for more information.

For additional information, refer to the [CUR\\_PP register on page 234](#).

### 4.2.3 STK\_PP Register

Address	Name	Bit 7	Bit 6	Bit 5	Bit 4	Bit 3	Bit 2	Bit 1	Bit 0	Access
0,D1h	STK_PP						Page Bits[2:0]			RW : 0

The Stack Page Pointer Register (STK\_PP) is used to set the effective SRAM page for stack memory accesses in a multi-SRAM page PSoC device.

**Bits 2 to 0: Page Bits[2:0].** These bits have the potential to affect two types of memory access.

The purpose of this register is to determine on which SRAM page to store the stack. In the reset state, this register's value is 0x00 and the stack is in SRAM Page 0. However, if the STK\_PP register value is changed, the next stack operation occurs on the SRAM page indicated by the new STK\_PP value. Therefore, set the value of this register early in the program and never change it. If the program changes the STK\_PP value after the stack grows, the program must ensure that the STK\_PP value is restored when needed.

**Note** The impact that the STK\_PP register has on the stack is independent of the SRAM Paging bits in the CPU\_F register.

The second type of memory accesses that the STK\_PP register affects are indexed memory accesses when the CPU\_F[7:6] bits are set to 11b. In this mode, Source Indexed and Destination Indexed memory accesses are directed to the stack SRAM page, rather than the SRAM page indicated by the IDX\_PP register or SRAM Page 0.

For additional information, refer to the [STK\\_PP register on page 235](#).

### 4.2.4 IDX\_PP Register

Address	Name	Bit 7	Bit 6	Bit 5	Bit 4	Bit 3	Bit 2	Bit 1	Bit 0	Access
0,D3h	IDX_PP						Page Bits[2:0]			RW : 0

The Index Page Pointer Register (IDX\_PP) sets the effective SRAM page for indexed memory accesses in a multi-SRAM page PSoC device.

**Bits 2 to 0: Page Bits[2:0].** These bits allow instructions, which use the Source Indexed and Destination Indexed address modes, to operate on an SRAM page that is not equal to the current SRAM page. However, the effect this

register has on indexed addressing modes is only enabled when the CPU\_F[7:6] is set to 10b.

When CPU\_F[7:6] is set to 10b and an indexed memory access is made, the access is directed to the SRAM page indicated by the value of the IDX\_PP register.

See the STK\_PP register description for more information on other indexed memory access modes. For additional

### 4.2.5 MVR\_PP Register

Address	Name	Bit 7	Bit 6	Bit 5	Bit 4	Bit 3	Bit 2	Bit 1	Bit 0	Access
0,D4h	MVR_PP						Page Bits[2:0]			RW : 0

The MVI Read Page Pointer Register (MVR\_PP) sets the effective SRAM page for MVI read memory accesses in a multi-SRAM page PSoC device.

**Bits 2 to 0: Page Bits[2:0].** These bits are only used by the MVI A, [expr] instruction, not to be confused with the MVI [expr], A instruction covered by the MVW\_PP register. This instruction is considered a read because data is transferred from SRAM to the microprocessor's A register (CPU\_A).

When an MVI A, [expr] instruction is executed in a device with more than one page of SRAM, the SRAM address that is read by the instruction is determined by the value of the least significant bits in this register. However, the pointer for the MVI A, [expr] instruction is always located in the current SRAM page. See the *PSoC Designer Assembly Language User Guide* for more information on the MVI A, [expr] instruction.

The function of this register and the MVI instructions are independent of the SRAM Paging bits in the CPU\_F register. For additional information, refer to the [MVR\\_PP register on page 237](#).

## 4.2.6 MVW\_PP Register

Address	Name	Bit 7	Bit 6	Bit 5	Bit 4	Bit 3	Bit 2	Bit 1	Bit 0	Access
0,D5h	<a href="#">MVW_PP</a>						Page Bits[2:0]			RW : 0

The MVI Write Page Pointer Register (MVW\_PP) sets the effective SRAM page for MVI write memory accesses in a multi-SRAM page PSoC device.

**Bits 2 to 0: Page Bits[2:0].** These bits are only used by the MVI [expr], A instruction, not to be confused with the MVI A, [expr] instruction covered by the MVR\_PP register. This instruction is considered a write because data is transferred from the microprocessor's A register (CPU\_A) to SRAM.

When an MVI [expr], A instruction is executed in a device with more than one page of SRAM, the SRAM

address that is written by the instruction is determined by the value of the least significant bits in this register. However, the pointer for the MVI [expr], A instruction is always located in the current SRAM page. See the *PSoC Designer Assembly Language User Guide* for more information on the MVI [expr], A instruction.

The function of this register and the MVI instructions are independent of the SRAM Paging bits in the CPU\_F register. For additional information, refer to the [MVW\\_PP register on page 238](#).

---

## 4.2.7 Related Registers

- [CPU\\_F Register on page 32](#).

# 5. Interrupt Controller

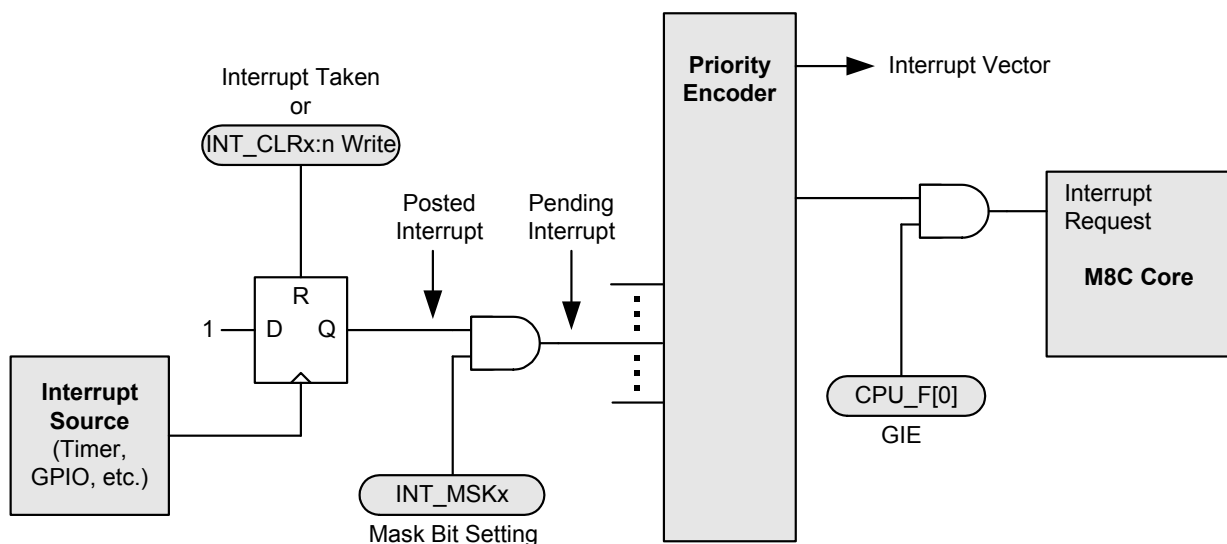


This chapter presents the Interrupt Controller and its associated registers. The interrupt controller provides a mechanism for a hardware resource in PSoC devices to change program execution to a new address without regard to the current task being performed by the code being executed. For a quick reference of all PSoC registers in address order, refer to the [Register Reference chapter on page 187](#).

## 5.1 Architectural Description

A block diagram of the Interrupt Controller is shown in [Figure 5-1](#), illustrating the concepts of *posted interrupts* and *pending interrupts*.

Figure 5-1. Interrupt Controller Block Diagram



This is the sequence of events that occur during interrupt processing.

1. An interrupt becomes active, either because (a) the interrupt condition occurs (for example, a timer expires), (b) a previously posted interrupt is enabled through an update of an interrupt *mask* register, or (c) an interrupt is pending and GIE is set from '0' to '1' in the CPU Flag register.
2. The current executing instruction finishes.
3. The internal interrupt service routine (ISR) executes, taking 13 cycles. During this time, the following actions occur:
  - The PCH, PCL, and Flag register (CPU\_F) are pushed onto the stack (in that order).
  - The CPU\_F register clears. Since this clears the GIE bit to '0', additional interrupts are temporarily disabled.
  - The PCH (PC[15:8]) is cleared to zero.
  - The interrupt vector is read from the interrupt controller and its value is placed into PCL (PC[7:0]). This sets the program counter to point to the appropriate address in the interrupt table (for example, 0014h for the GPIO interrupt).

4. Program execution vectors to the interrupt table. Typically an `LJMP` instruction in the interrupt table sends execution to the user's interrupt service routine for this interrupt. (See [Instruction Set Summary on page 28.](#))
5. The ISR executes. Interrupts are disabled since `GIE = 0`. In the ISR, interrupts can be re-enabled if necessary by setting `GIE = 1` (take care to avoid stack overflow in this case).
6. The ISR ends with an `RETI` instruction. This pops the Flag register, `PCL`, and `PCH` from the stack, restoring those registers. The restored Flag register re-enables interrupts since `GIE = 1` again.
7. Execution resumes at the next instruction, after the instruction that occurred before the interrupt. However, if there are more pending interrupts, the subsequent interrupts are processed before the next normal program instruction.

**Interrupt Latency.** The time between the assertion of an enabled interrupt and the start of its ISR is calculated using this equation:

Latency =  
 Time for current instruction to finish +  
 Time for M8C to change program counter to interrupt address +  
 Time for `LJMP` instruction in interrupt table to execute.

**Equation 1**

$$\text{Latency} = \text{Time for current instruction to finish} + \text{Time for M8C to change program counter to interrupt address} + \text{Time for LJMP instruction in interrupt table to execute.}$$

For example, if the 5-cycle `JMP` instruction is executing when an interrupt becomes active, the total number of CPU clock cycles before the ISR begins is:

**Equation 2**

$$(1 \text{ to } 5 \text{ cycles for JMP to finish}) + (13 \text{ cycles for interrupt routine}) + (7 \text{ cycles for LJMP}) = 21 \text{ to } 25 \text{ cycles.}$$

In this example, at 24 MHz, 25 clock cycles take 1.042  $\mu$ s.

**Interrupt Priority.** Interrupt priorities come into consideration when more than one interrupt is pending during the same instruction cycle. In this case, the Priority Encoder (see [Figure 5-1](#)) generates an interrupt vector for the highest priority pending interrupt.

## 5.1.1 Posted versus Pending Interrupts

An interrupt is posted when its interrupt conditions occur. This results in the flip-flop in [Figure 5-1](#) clocking in a 1. The interrupt remains posted until the interrupt is taken or until it is cleared by writing to the appropriate `INT_CLRx` register.

A posted interrupt is not pending unless it is enabled by setting its interrupt mask bit (in the appropriate `INT_MSKx` register). All pending interrupts are processed by the Priority Encoder to determine the highest priority interrupt taken by the M8C if the Global Interrupt Enable bit is set in the `CPU_F` register.

Disabling an interrupt by clearing its interrupt mask bit (in the `INT_MSKx` register) does not clear a posted interrupt, nor does it prevent an interrupt from posting. It simply prevents a posted interrupt from becoming pending.

It is especially important to understand the functionality of clearing posted interrupts, if the configuration of the PSoC device is changed by the application.

For example, if a block has a posted interrupt when it is enabled and then disabled, the posted interrupt remains. Therefore, it is good practice to use the `INT_CLR` register to clear posted interrupts before enabling or re-enabling a block.

## 5.2 Application Overview

The interrupt controller and its associated registers allow the user's code to respond to an interrupt from almost every functional block in PSoC devices. Interrupts for all the digital blocks and each of the analog columns are available, as well as interrupts for supply voltage, sleep, variable clocks, and a general GPIO (pin) interrupt.

The registers associated with the interrupt controller allow for the disabling of interrupts either globally or individually. The registers also provide a mechanism by which a user can **clear** all pending and posted interrupts or clear individual posted or pending interrupts. A **software** mechanism is provided to set individual interrupts. Setting an interrupt by way of software is very useful during code development, when one may not have the complete hardware system necessary to generate a real interrupt.

The following table lists the interrupts and priorities that are available in the PSoC devices.

Table 5-1. Device Interrupts

Interrupt Priority	Interrupt Address	Interrupt Name
0 (Highest)	0000h	Reset
1	0004h	Supply voltage monitor
2	0008h	Analog
3	000Ch	TrueTouch
4	0010h	Timer0
5	0014h	GPIO
6	0018h	SPI
7	001Ch	I2C
8	0020h	Sleep Timer
9	0024h	Timer1
10	0028h	Timer2
23 (Lowest)	005Ch	ADC

## 5.3 Register Definitions

The following registers are associated with the Interrupt Controller and are listed in address order. The register descriptions have an associated register table showing the bit structure for that register. The bits in the tables that are grayed out are reserved bits and are not detailed in the register descriptions that follow. Always write reserved bits with a value of '0'. For a complete table of Interrupt Controller registers, refer to the [Summary Table of the Core Registers on page 24](#).

### 5.3.1 INT\_CLR0 Register

Address	Name	Bit 7	Bit 6	Bit 5	Bit 4	Bit 3	Bit 2	Bit 1	Bit 0	Access
0,DAh	<a href="#">INT_CLR0</a>	I2C	Sleep	SPI	GPIO	Timer0	TrueTouch	Analog	V Monitor	RW : 00

The Interrupt Clear Register 0 (INT\_CLR0) enables the individual interrupt sources' ability to clear posted interrupts.

The INT\_CLR0 register is similar to the INT\_MSK0 register in that it holds a bit for each interrupt source. Functionally the INT\_CLR0 register is similar to the INT\_VC register, although its operation is completely independent. When the INT\_CLR0 register is read, any bits that are set indicate an interrupt was posted for that hardware resource. Reading this register gives the user the ability to determine all posted interrupts.

The Enable Software Interrupt (ENSWINT) bit in the INT\_SW\_EN register determines how an individual bit value, written to an INT\_CLR0 register, is interpreted. When ENSWINT is cleared (the default state), writing 1's to the INT\_CLR0 register has no effect. However, writing 0's to the INT\_CLR0 register, when ENSWINT is cleared, causes the corresponding interrupt to clear. If the ENSWINT bit is set, any 0's written to the INT\_CLR0 register are ignored. However, 1's written to the INT\_CLR0 register, while ENSWINT is set, cause an interrupt to post for the corresponding interrupt.

Software interrupts aid in debugging interrupt service routines by eliminating the need to create system level interactions that are sometimes necessary to create a hardware-only interrupt.

**Bit 7: I2C.** This bit allows posted I2C interrupts to be read, cleared, or set.

**Bit 6: Sleep.** This bit allows posted sleep interrupts to be read, cleared, or set.

**Bit 5: SPI.** This bit allows posted SPI interrupts to be read, cleared, or set.

**Bit 4: GPIO.** This bit allows posted GPIO interrupts to be read, cleared, or set.

**Bit 3: Timer0.** This bit allows posted timer interrupts to be read, cleared, or set.

**Bit 2: TrueTouch.** This bit allows posted TrueTouch interrupts to be read, cleared, or set.

**Bit 1: Analog.** This bit allows posted analog interrupts to be read, cleared, or set.

**Bit 0: V Monitor.** This bit allows posted voltage monitor interrupts to be read, cleared, or set.

For additional information, refer to the [INT\\_CLR0 register on page 242](#).



### 5.3.2 INT\_CLR1 Register

Address	Name	Bit 7	Bit 6	Bit 5	Bit 4	Bit 3	Bit 2	Bit 1	Bit 0	Access
0,DBh	INT_CLR1	Endpoint3	Endpoint2	Endpoint1	Endpoint0	USB SOF	USB Bus Rst	Timer2	Timer1	RW : 00

This register enables the individual interrupt sources' ability to clear posted interrupts.

When bits in this register are read, a '1' is returned for every bit position that has a corresponding posted interrupt. When bits in this register are written with a '0' and ENSWINT is not set, posted interrupts are cleared at the corresponding bit positions. If there is no posted interrupt, there is no effect. When bits in this register are written with a '1' and ENSWINT is set, an interrupt is posted in the interrupt controller.

**Bit 7: Endpoint3.** Read '0', no posted interrupt for USB Endpoint3. Read '1', posted interrupt present for USB Endpoint3.

Write 0 AND ENSWINT = 0. Clear posted interrupt if it exists.

Write 1 AND ENSWINT = 0. No effect.

Write 0 AND ENSWINT = 1. No effect.

Write 1 AND ENSWINT = 1. Post an interrupt for USB Endpoint3.

**Bit 6: Endpoint2.** Read '0', no posted interrupt for USB Endpoint2. Read '1', posted interrupt present for USB Endpoint2.

Write 0 AND ENSWINT = 0. Clear posted interrupt if it exists.

Write 1 AND ENSWINT = 0. No effect.

Write 0 AND ENSWINT = 1. No effect.

Write 1 AND ENSWINT = 1. Post an interrupt for USB Endpoint2.

**Bit 5: Endpoint1.** Read '0', no posted interrupt for USB Endpoint1. Read '1', posted interrupt present for USB Endpoint1.

Write 0 AND ENSWINT = 0. Clear posted interrupt if it exists.

Write 1 AND ENSWINT = 0. No effect.

Write 0 AND ENSWINT = 1. No effect.

Write 1 AND ENSWINT = 1. Post an interrupt for USB Endpoint1.

**Bit 4: Endpoint0.** Read '0', no posted interrupt for USB Endpoint0. Read '1', posted interrupt present for USB Endpoint0.

Write 0 AND ENSWINT = 0. Clear posted interrupt if it exists.

Write 1 AND ENSWINT = 0. No effect.

Write 0 AND ENSWINT = 1. No effect.

Write 1 AND ENSWINT = 1. Post an interrupt for USB Endpoint0.

**Bit 3: USB SOF.** Read '0', no posted interrupt for USB Start of Frame (SOF). Read '1', posted interrupt present for USB Start of Frame (SOF).

Write 0 AND ENSWINT = 0. Clear posted interrupt if it exists.

Write 1 AND ENSWINT = 0. No effect.

Write 0 AND ENSWINT = 1. No effect.

Write 1 AND ENSWINT = 1. Post an interrupt for USB Start of Frame (SOF).

**Bit 2: USB Bus Rst.** Read '0', no posted interrupt for USB Bus Reset. Read '1', posted interrupt present for USB Bus Reset.

Write 0 AND ENSWINT = 0. Clear posted interrupt if it exists.

Write 1 AND ENSWINT = 0. No effect.

Write 0 AND ENSWINT = 1. No effect.

Write 1 AND ENSWINT = 1. Post an interrupt for USB Bus Reset.

**Bit 1: Timer2.** Read '0', no posted interrupt for Timer2.

Read '1', posted interrupt present for Timer2.

Write 0 AND ENSWINT = 0. Clear posted interrupt if it exists.

Write 1 AND ENSWINT = 0. No effect.

Write 0 AND ENSWINT = 1. No effect.

Write 1 AND ENSWINT = 1. Post an interrupt for Timer2.

**Bit 0: Timer1.** Read '0', no posted interrupt for Timer1.

Read '1', posted interrupt present for Timer1.

Write 0 AND ENSWINT = 0. Clear posted interrupt if it exists.

Write 1 AND ENSWINT = 0. No effect.

Write 0 AND ENSWINT = 1. No effect.

Write 1 AND ENSWINT = 1. Post an interrupt for Timer1.

For additional information, refer to the [INT\\_CLR1 register on page 244](#).

### 5.3.3 INT\_CLR2 Register

Address	Name	Bit 7	Bit 6	Bit 5	Bit 4	Bit 3	Bit 2	Bit 1	Bit 0	Access
0,DCh	INT_CLR2			USB_WAKE	Endpoint8	Endpoint7	Endpoint6	Endpoint5	Endpoint4	RW : 00

This register enables the individual interrupt sources' ability to clear posted interrupts.

When bits in this register are read, a '1' is returned for every bit position that has a corresponding posted interrupt. When bits in this register are written with a '0' and ENSWINT is not set, posted interrupts are cleared at the corresponding bit positions. If there was not a posted interrupt, there is no effect. When bits in this register are written with a '1' and ENSWINT is set, an interrupt is posted in the interrupt controller.

**Bit 5: USB\_WAKE.** Read '0', no posted interrupt for USB wakeup. Read '1', posted interrupt present for USB wakeup. Write 0 AND ENSWINT = 0. Clear posted interrupt if it exists.

Write 1 AND ENSWINT = 0. No effect.

Write 0 AND ENSWINT = 1. No effect.

Write 1 AND ENSWINT = 1. Post an interrupt for USB wakeup.

**Bit 4: Endpoint8.** Read '0', no posted interrupt for USB Endpoint8. Read '1', posted interrupt present for USB Endpoint8.

Write 0 AND ENSWINT = 0. Clear posted interrupt if it exists.

Write 1 AND ENSWINT = 0. No effect.

Write 0 AND ENSWINT = 1. No effect.

Write 1 AND ENSWINT = 1. Post an interrupt for USB Endpoint8.

**Bit 3: Endpoint7.** Read '0', no posted interrupt for USB Endpoint7. Read '1', posted interrupt present for USB Endpoint7.

Write 0 AND ENSWINT = 0. Clear posted interrupt if it exists.

Write 1 AND ENSWINT = 0. No effect.

Write 0 AND ENSWINT = 1. No effect.

Write 1 AND ENSWINT = 1. Post an interrupt for USB Endpoint7.

**Bit 2: Endpoint6.** Read '0', no posted interrupt for USB Endpoint6. Read '1', posted interrupt present for USB Endpoint6.

Write 0 AND ENSWINT = 0. Clear posted interrupt if it exists.

Write 1 AND ENSWINT = 0. No effect.

Write 0 AND ENSWINT = 1. No effect.

Write 1 AND ENSWINT = 1. Post an interrupt for USB Endpoint6.

**Bit 1: Endpoint5.** Read '0', no posted interrupt for USB Endpoint5. Read '1', posted interrupt present for USB Endpoint5.

Write 0 AND ENSWINT = 0. Clear posted interrupt if it exists.

Write 1 AND ENSWINT = 0. No effect.

Write 0 AND ENSWINT = 1. No effect.

Write 1 AND ENSWINT = 1. Post an interrupt for USB Endpoint5.

**Bit 0: Endpoint4.** Read '0', no posted interrupt for USB Endpoint4. Read '1', posted interrupt present for USB Endpoint4.

Write 0 AND ENSWINT = 0. Clear posted interrupt if it exists.

Write 1 AND ENSWINT = 0. No effect.

Write 0 AND ENSWINT = 1. No effect.

Write 1 AND ENSWINT = 1. Post an interrupt for USB Endpoint4.

For additional information, refer to the [INT\\_CLR2 register on page 246](#).

### 5.3.4 INT\_MSK0 Register

Address	Name	Bit 7	Bit 6	Bit 5	Bit 4	Bit 3	Bit 2	Bit 1	Bit 0	Access
0,E0h	<a href="#">INT_MSK0</a>	I2C	Sleep	SPI	GPIO	Timer0	TrueTouch	Analog	V Monitor	RW : 00

The Interrupt Mask Register (INT\_MSK0) enables the individual interrupt sources' ability to create pending interrupts.

If cleared, each bit in an INT\_MSK0 register prevents a posted interrupt from becoming a pending interrupt (input to the Priority Encoder). However, an interrupt can still post even if its mask bit is zero. All INT\_MSK0 bits are independent of all other INT\_MSK0 bits.

If an INT\_MSK0 bit is set, the interrupt source associated with that mask bit may generate an interrupt that becomes a pending interrupt. For example, if INT\_MSK0[4] is set and at least one GPIO pin is configured to generate an interrupt, the interrupt controller allows a GPIO interrupt request to post and become a pending interrupt to which the M8C responds. If a higher priority interrupt is generated before the M8C responds to the GPIO interrupt, the higher priority interrupt is responded to before the GPIO interrupt.

Each interrupt source may require configuration at a block level. Refer to the corresponding chapter for each interrupt for any additional configuration information.

**Bit 7: I2C.** This bit allows I2C interrupts to be enabled or masked.

**Bit 6: Sleep.** This bit allows sleep interrupts to be enabled or masked.

**Bit 5: SPI.** This bit allows SPI interrupts to be enabled or masked.

**Bit 4: GPIO.** This bit allows GPIO interrupts to be enabled or masked.

**Bit 3: Timer0.** This bit allows Timer0 interrupts to be enabled or masked.

**Bit 2: TrueTouch.** This bit allows TrueTouch interrupts to be enabled or masked.

**Bit 1: Analog.** This bit allows analog interrupts to be enabled or masked.

**Bit 0: V Monitor.** This bit allows voltage monitor interrupts to be enabled or masked.

For additional information, refer to the [INT\\_MSK0 register on page 250](#).

### 5.3.5 INT\_MSK1 Register

Address	Name	Bit 7	Bit 6	Bit 5	Bit 4	Bit 3	Bit 2	Bit 1	Bit 0	Access
0,DFh	<a href="#">INT_MSK1</a>	Endpoint3	Endpoint2	Endpoint1	Endpoint0	USB SOF	USB Bus Reset	Timer2	Timer1	RW : 00

This register enables the individual sources' ability to create pending interrupts.

When an interrupt is masked off, the mask bit is '0'. The interrupt continues to post in the interrupt controller. Clearing the mask bit only prevents a posted interrupt from becoming a pending interrupt.

**Bit 7: Endpoint3.** '0' is mask USB Endpoint3 interrupt. '1' is unmask USB Endpoint3 interrupt.

**Bit 6: Endpoint2.** '0' is mask USB Endpoint2 interrupt. '1' is unmask USB Endpoint2 interrupt.

**Bit 5: Endpoint1.** '0' is mask USB Endpoint1 interrupt. '1' is unmask USB Endpoint1 interrupt.

**Bit 4: Endpoint0.** '0' is mask USB Endpoint0 interrupt. '1' is unmask USB Endpoint0 interrupt.

**Bit 3: USB SOF.** '0' is mask USB SOF interrupt. '1' is unmask USB SOF interrupt.

**Bit 2: USB Bus Reset(K).** '0' is mask USB Bus Reset interrupt. '1' is unmask USB Bus Reset interrupt.

**Bit 1: Timer2.** '0' is mask Timer2 interrupt. '1' is unmask Timer2 interrupt.

**Bit 0: Timer1.** '0' is mask Timer1 interrupt. '1' is unmask Timer1 interrupt.

For additional information, refer to the [INT\\_MSK1 register on page 249](#).

### 5.3.6 INT\_MSK2 Register

Address	Name	Bit 7	Bit 6	Bit 5	Bit 4	Bit 3	Bit 2	Bit 1	Bit 0	Access
0,DEh	INT_MSK2			USB Wakeup	Endpoint8	Endpoint7	Endpoint6	Endpoint5	Endpoint4	RW : 00

This register is used to enable the individual sources' ability to create pending interrupts.

When an interrupt is masked off, the mask bit is '0'. The interrupt still posts in the interrupt controller. Therefore, clearing the mask bit only prevents a posted interrupt from becoming a pending interrupt.

**Bit 5: USB Wakeup.** '0' is mask USB Wakeup interrupt. '1' is unmask USB Wakeup interrupt.

**Bit 4: Endpoint8.** '0' is mask USB Endpoint8 interrupt. '1' is unmask USB Endpoint8 interrupt.

**Bit 3: Endpoint7.** '0' is mask USB Endpoint7 interrupt. '1' is unmask USB Endpoint7 interrupt.

**Bit 2: Endpoint6.** '0' is mask USB Endpoint6 interrupt. '1' is unmask USB Endpoint6 interrupt.

**Bit 1: Endpoint5.** '0' is mask USB Endpoint5 interrupt. '1' is unmask USB Endpoint5 interrupt.

**Bit 0: Endpoint4.** '0' is mask USB Endpoint4 interrupt. '1' is unmask USB Endpoint4 interrupt.

For additional information, refer to the [INT\\_MSK2 register on page 248](#).

### 5.3.7 INT\_SW\_EN Register

Address	Name	Bit 7	Bit 6	Bit 5	Bit 4	Bit 3	Bit 2	Bit 1	Bit 0	Access
0,E1h	INT_SW_EN								ENSWINT	RW : 0

The Interrupt Software Enable Register (INT\_SW\_EN) is used to enable software interrupts.

**Bit 0: ENSWINT.** This bit is a special non-mask bit that controls the behavior of the INT\_CLR0 register. See the INT\_CLR0 register in this section for more information.

For additional information, refer to the [INT\\_SW\\_EN register on page 251](#).

### 5.3.8 INT\_VC Register

Address	Name	Bit 7	Bit 6	Bit 5	Bit 4	Bit 3	Bit 2	Bit 1	Bit 0	Access
0,E2h	INT_VC	Pending Interrupt[7:0]								RC : 00

**LEGEND**

Clearable register or bits.

The Interrupt Vector Clear Register (INT\_VC) returns the next pending interrupt and clears all pending interrupts when written.

**Bits 7 to 0: Pending Interrupt[7:0].** When the register is read, the *least significant byte (LSB)* of the highest priority pending interrupt is returned. For example, if the GPIO and I2C interrupts were pending and the INT\_VC register was read, the value 14h is read. However, if no interrupts were pending, the value 00h is returned. This is the reset vector in the interrupt table; however, reading 00h from the INT\_VC register is not considered an indication that a system reset is

pending. Rather, reading 00h from the INT\_VC register simply indicates that there are no pending interrupts. The highest priority interrupt, indicated by the value returned by a read of the INT\_VC register, is removed from the list of pending interrupts when the M8C services an interrupt.

Reading the INT\_VC register has limited usefulness. If interrupts are enabled, a read to the INT\_VC register is not able to determine that an interrupt was pending before the interrupt was actually taken. However, while in an interrupt service routine, a user may wish to read the INT\_VC register to see the next interrupt. When the INT\_VC register is written

with any value, all pending and posted interrupts are cleared by asserting the clear line for each interrupt.

For additional information, refer to the [INT\\_VC register on page 252](#).

---

### 5.3.9 Related Registers

- [CPU\\_F on page 254](#).



# 6. General Purpose I/O (GPIO)

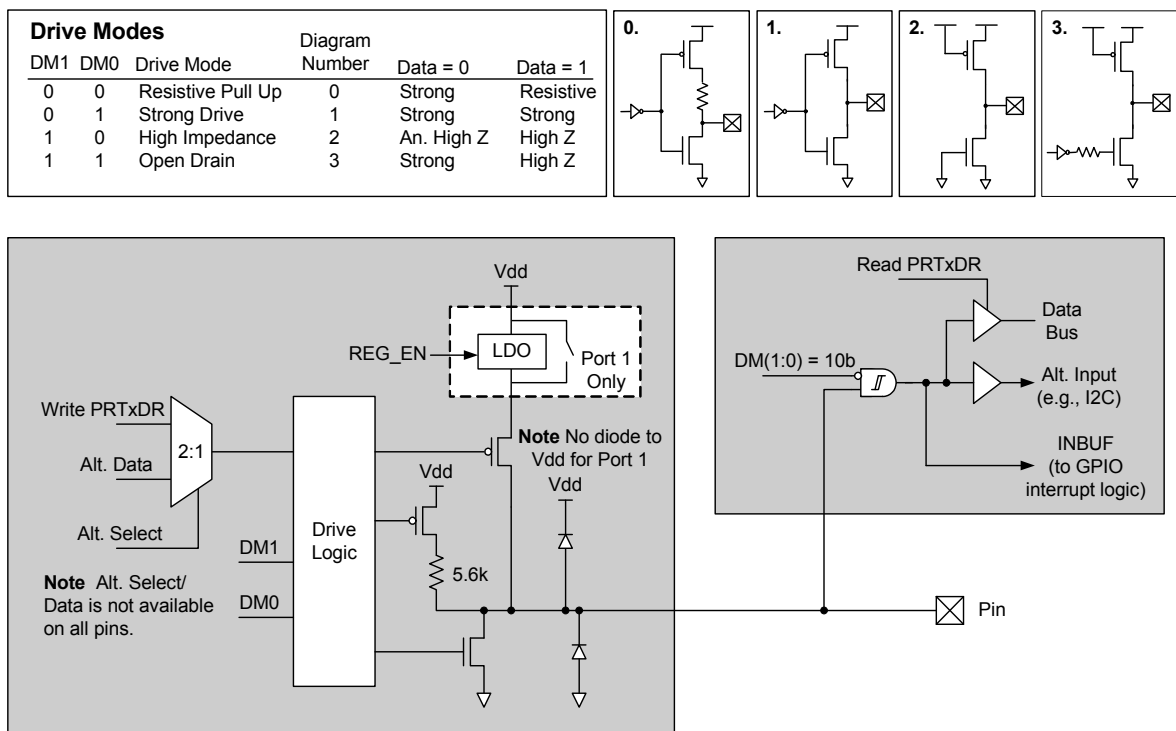


This chapter discusses the General Purpose I/O (GPIO) and its associated registers, which is the circuit responsible for interfacing to the I/O pins of a PSoC device. The GPIO blocks provide the interface between the M8C core and the outside world. They offer a large number of configurations to support several types of input/output (IO) operations for both digital and analog systems. For a complete table of the GPIO registers, refer to the [PSoC Core on page 23](#). For a quick reference of all PSoC registers in address order, refer to the [Register Reference chapter on page 187](#).

## 6.1 Architectural Description

The GPIO in the CY8CTMG20x, CY8CTST200 devices are all uniform, except that Port 0 and Port 1 GPIO have stronger high drive. In addition to higher drive strength, Port 1 GPIO have an option for regulated output level. These distinctions are discussed in more detail in the section [Port 1 Distinctions on page 56](#) and [Port 0 Distinctions on page 57](#).

Figure 6-1. GPIO Block Diagram



## 6.1.1 General Description

The GPIO contains input buffers, output drivers, and configuration logic for connecting the PSoC device to the outside world.

IO Ports are arranged with (up to) 8 bits per port. Each full port contains eight identical GPIO blocks. Each GPIO block is used for the following types of I/O:

- Digital I/O (digital input and output controlled by software)
- Analog I/O

Each I/O pin also has several drive modes, and interrupt capabilities. All GPIO pins provide both digital I/O and analog input capability.

All I/O contain the capability to connect to an internal analog bus. This is described in detail in the [I/O Analog Multiplexer chapter on page 99](#).

Certain pins contain an option to bypass the normal data path and output from an internal source. An example is I2C outputs. These are described in [Data Bypass on page 58](#).

## 6.1.2 Digital I/O

One of the basic operations of the GPIO ports is to allow the M8C to send information out of the PSoC device and get information into the M8C from outside the device. This is accomplished by way of the port data register (PRTxDR). Writes from the M8C to the PRTxDR register store the data state, one bit per GPIO. In the standard non-bypass mode, the pin drivers drive the pin in response to this data bit, with a drive strength determined by the Drive mode setting (see [Figure 6-1](#)). The actual voltage on the pin depends upon the Drive mode and the external load.

The M8C reads the value of a port by reading the PRTxDR register address. When the M8C reads the PRTxDR register address, the current value of the pin voltage is translated into a logic value and returned to the M8C. Note that the pin voltage can represent a different logic value than the last value written to the PRTxDR register. This is an important distinction to remember in situations such as the use of a read modify write to a PRTxDR register. Examples of read modify write instructions include AND, OR, and XOR.

The following is an example of how a read modify write, to a PRTxDR register, could have an unexpected and even indeterminate result in certain systems. Consider a scenario where all bits of Port 1 on the PSoC device are in the strong 0 resistive 1 Drive mode; so that in some cases, the system the PSoC is in may pull down one of the bits by an external driver.

```
mov reg[PRT1DR], 0xFF
and reg[PRT1DR], 0x7F
```

In the first line of this code, writing a 0xFF to the port causes the PSoC to drive all pins high through a resistor. This does

not affect any bits that are strongly driven low by the system the PSoC is in. However, in the second line of code, it cannot guarantee that only bit 7 is the one set to a strong 0 (zero). Because the AND instruction first reads the port, any bits that are currently driven low externally are read as a 0. These zeros are then written back to the port. When this happens, the pin goes into a strong 0 state; therefore, if the external low drive condition ends in the system, the PSoC keeps the pin value at a logic 0.

## 6.1.3 Analog and Digital Inputs

Analog signals pass into the PSoC device core from device pins through a resistive path. For analog signals, the GPIO block is typically configured into a High Impedance Analog Drive mode (High Z). The mode turns off the Schmitt trigger on the input path, which may reduce power consumption and decrease internal switching noise when using a particular I/O as an analog input.

All modes, except High Impedance Analog, allow digital inputs. The most useful digital input modes are Resistive Pull Up (DM1, DM0 = 00b with Data = 1) or a fully high impedance input using open drain (DM1, DM0 = 11b with Data = 1).

## 6.1.4 Port 1 Distinctions

Port 1 has two differences from the other GPIO ports. It has stronger high drive (as does Port 0) and it has an option for regulating all outputs to a 3V/2.5V/1.8V level when in strong drive mode. Refer to the device data sheet for the different current sourcing specifications of Port 1.

By setting the REG\_EN bit in the IO\_CFG1 register, Port 1 can be configured to drive strong high to a regulated 3V/2.5V/1.8V level. If REG\_EN is set low, Port 1 pins drive to Vdd in strong drive mode.

In Resistive High Drive mode ([DM1, DM0] = 00), the pins pull up to the **chip** Vdd level regardless of the regulator setting for this port. Only Strong Drive mode allows for the outputs to be driven to the regulated level. When the REG\_EN bit is set high, pins configured for strong drive to regulated level, while those in resistive pull up mode drive to Vdd.

In their default state, all Port 1 I/O prevent DC current from flowing into the pin when the pin voltage is above the chip Vdd. This feature resolves the problem where the PSoC holds down the system I2C bus or provides a current leakage path from a powered peripheral during PSoC power down or reset.

The open drain driver is capable of sinking 24 mA current (required for sinking LEDs used for backlighting) and maintaining a logic low state.

Regulated output level can be selected by bits 4 and 5 in the IO\_CFG1 register. For 3V output level, the chip Vdd should be greater than 3.1V. For 2.5V output, the chip Vdd should



be greater than 2.7V, and for 1.8V output level, chip V<sub>dd</sub> should be greater than 2.5V.

### 6.1.5 Port 0 Distinctions

Port 0 has a stronger high drive. However, unlike Port 1, it does not have an option for regulating the outputs when in strong drive mode. Refer to the device data sheet for the different current sourcing specifications of Port 0.

### 6.1.6 GPIO Block Interrupts

You have the ability to individually configure each GPIO pin for interrupt capability. Pins are configured by pin interrupt enables and also by a chip wide selection for interrupt state with this global selection. Pins can be set to interrupt when the pin is low or when it changes from the last time it was read. The block provides an open drain interrupt output (INTO) that is connected to other GPIO blocks in a wire-OR fashion.

All pin interrupts that are wire-OR'ed together are tied to the same system GPIO interrupt. Therefore, if interrupts are enabled on multiple pins, the user's interrupt service routine must provide a mechanism to determine which pin was the source of the interrupt.

Using a GPIO interrupt requires these steps:

1. Set the Interrupt mode (IOINT bit in the IO\_CFG1 register).
2. Enable the bit interrupt in the GPIO block.
3. Set the mask bit for the (global) GPIO interrupt.
4. Assert the overall Global Interrupt Enable.

The first step sets a common interrupt mode for all pins.

The second step, bit interrupt enable, is set at the GPIO pin level (that is, at each port pin), by way of the PRTxIE registers.

The last two steps are common to all interrupts and described in the [Interrupt Controller chapter on page 45](#).

At the GPIO block level, asserting the INTO line depends only on the bit interrupt enable and the state of the pin relative to the chosen Interrupt mode. At the PSoC device level, due to their wire-OR nature, the GPIO interrupts are neither true edge sensitive interrupts nor true level sensitive interrupts. They are considered edge sensitive for asserting, but level sensitive for release of the wire-OR interrupt line.

If no GPIO interrupts are asserting, a GPIO interrupt occurs whenever a GPIO pin interrupt enable is set and the GPIO pin transitions (if not already transitioned) appropriately high or low to match the interrupt mode configuration. After this happens, the INTO line pulls low to assert the GPIO interrupt. This assumes the other system level enables are on, such as setting the global GPIO interrupt enable and the Global Interrupt Enable. Setting the pin interrupt enable may

immediately assert INTO, if the Interrupt mode conditions are already being met at the pin.

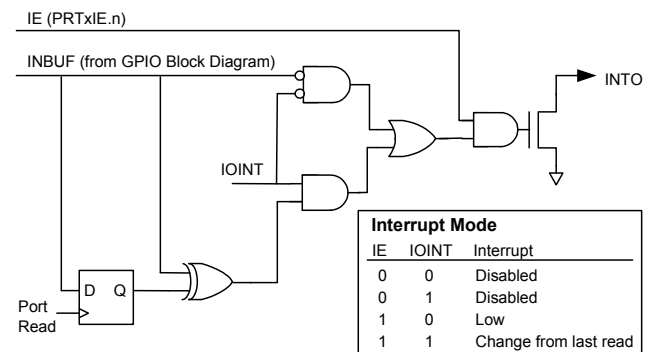
After INTO pulls low, it continues to hold INTO low until one of these conditions change:

- The pin interrupt enable is cleared.
- The voltage at pin transitions to the opposite state.
- In interrupt-on-change mode, the GPIO data register is read thus setting the local interrupt level to the opposite state.
- The Interrupt mode is changed so that the current pin state does not create an interrupt.

After one of these conditions is met, the INTO releases. At this point, another GPIO pin (or this pin again) could assert its INTO pin, pulling the common line low to assert a new interrupt.

Note the following behavior from this level release feature. If one pin is asserting INTO and then a second pin asserts its INTO, when the first pin releases its INTO, the second pin is already driving INTO and thus no change is seen (that is, no new interrupt is asserted on the GPIO interrupt). Take care, using polling or the states of the GPIO pin and Global Interrupt Enables, to catch all interrupts among a set of wire-OR GPIO blocks.

Figure 6-2. GPIO Interrupt Logic Diagram



#### 6.1.6.1 Interrupt Modes

GPIO interrupts use the IOINT bit from the IO\_CFG1 register. The setting of IOINT determines the interrupt mode for all GPIO.

Interrupt mode IOINT=0 means that the block asserts the GPIO interrupt line (INTO) when the pin voltage is low, if the block's bit interrupt enable line is set (high).

Interrupt mode IOINT=1 means that the block asserts the interrupt line (INTO) when the pin voltage is the opposite of the last state read from the pin, if the block's bit interrupt enable line is set high. This mode switches between low mode and high mode, depending upon the last value read from the port during reads of the data register (PRTxDR). If the last value read from the GPIO was 0, the GPIO pin is in

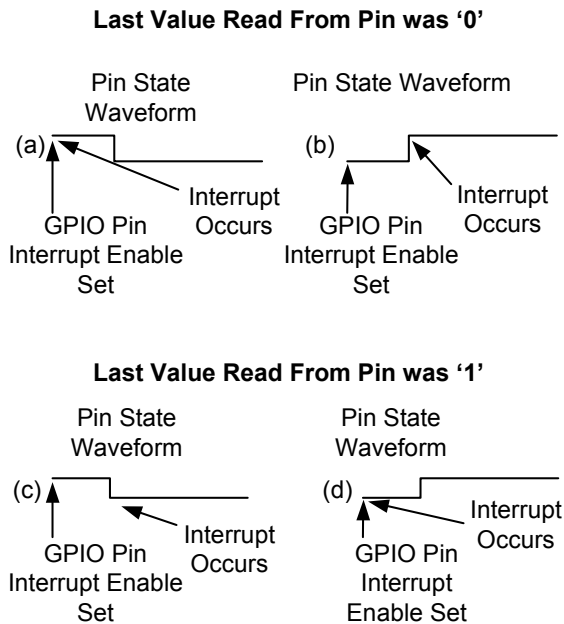
Interrupt High mode. If the last value read from the GPIO was '1', the GPIO is in Interrupt Low mode.

Table 6-1. GPIO Interrupt Modes

IE	IOINT	Description
0	0	Bit interrupt disabled, INTO deasserted
0	1	Bit interrupt disabled, INTO d-asserted
1	0	Assert INTO when PIN = low
1	1	Assert INTO when PIN = change from last read

Figure 6-3 assumes that the GIE is set, GPIO interrupt mask is set, and that the IOINT bit was set to high. The Change Interrupt mode relies on the value of an internal read register to determine if the pin state changed. Therefore, the port that contains the GPIO in question must be read during every interrupt service routine. If the port is not read, the Interrupt mode acts as if it is in high mode when the latch value is '0' and low mode when the latch value is '1'.

Figure 6-3. GPIO Interrupt Mode IOINT = 1



### 6.1.7 Data Bypass

GPIO pins are configured to either output data through CPU writes to the PRTxDR registers or to bypass the port's data register and output data from internal functions instead. The bypass path is shown in Figure 6-1 by the Alt Data input, which is selected by the Alt Select input. These data bypass options are selected in one of two ways.

- For internal functions such as I2C and SPI, the hardware automatically selects the bypass mode for the required pins when the function is enabled. In addition, some bypass outputs are selected by the user through the OUT\_P1 register. For these, the pin is configured for data bypass when the register bit is set high, which allows an internal signal to be driven to the pin.
- For all bypass modes, the wanted drive mode of the pin must be configured separately for each pin, with the PRTxDM1 and PRTxDM0 registers.

## 6.2 Register Definitions

The following registers are associated with the General Purpose I/O (GPIO) and are listed in address order. The register descriptions have an associated register table showing the bit structure for that register. The bits in the tables that are grayed out are reserved bits and are not detailed in the register descriptions that follow. Always write reserved bits with a value of 0. For a complete table of General Purpose I/O registers, refer to the [Core Register Summary on page 24](#).

For a selected GPIO block, the individual registers are addressed in the [Core Register Summary on page 24](#). In the register names, the 'x' is the port number, configured at the PSoC device level (x = 0 to 4 typically). All register values are readable, except for the PRTxDR register; reads of this register return the pin state instead of the register bit state.

### 6.2.1 PRTxDR Registers

Address	Name	Bit 7	Bit 6	Bit 5	Bit 4	Bit 3	Bit 2	Bit 1	Bit 0	Access
0,xxh	PRTxDR	Data[7:0]								RW : 00

**LEGEND**

xx An "x" after the comma in the address field indicates that there are multiple instances of the register. For an expanded address listing of these registers, refer to the [Core Register Summary on page 24](#).

The Port Data Register (PRTxDR) allows for write or read access of the current logical equivalent of the voltage on the pin.

**Bits 7 to 0: Data[7:0].** Writing the PRTxDR register bits set the output drive state for the pin to high (for Data = 1) or low (Data = 0), unless a bypass mode is selected (see [Data Bypass on page 58](#)).

Reading the PRTxDR register returns the actual pin state, as seen by the input buffer. This may not be the same as the expected output state, if the load pulls the pin more strongly than the pin's configured output drive. See [Digital I/O on page 56](#) for a detailed discussion of digital I/O.

For additional information, refer to the [PRTxDR register on page 188](#).

### 6.2.2 PRTxIE Registers

Address	Name	Bit 7	Bit 6	Bit 5	Bit 4	Bit 3	Bit 2	Bit 1	Bit 0	Access
0,xxh	PRTxIE	InterruptEnables[7:0]								RW : 00

**LEGEND**

xx An "x" after the comma in the address field indicates that there are multiple instances of the register. For an expanded address listing of these registers, refer to the [Core Register Summary on page 24](#).

The Port Interrupt Enables (PRTxIE) registers enable or disable interrupts from individual GPIO pins.

**Bits 7 to 0: InterruptEnables[7:0].** These bits enable the corresponding port pin interrupt. Only four LSB pins are used since this port has four pins.

'0' is port pin interrupt disabled for the corresponding pin.

'1' is port pin interrupt enabled for the corresponding pin. Interrupt mode is determined by the IOINT bit in the [IO\\_CFG1](#) register.

For additional information, refer to the [PRTxDR register on page 188](#).

### 6.2.3 PRTxDMx Registers

Address	Name	Bit 7	Bit 6	Bit 5	Bit 4	Bit 3	Bit 2	Bit 1	Bit 0	Access
1,xxh	<a href="#">PRTxDM0</a>	Drive Mode 0[7:0]								RW : 00
1,xxh	<a href="#">PRTxDM1</a>	Drive Mode 1[7:0]								RW : FF

**LEGEND**

xx An "x" after the comma in the address field indicates that there are multiple instances of the register. For an expanded address listing of these registers, refer to the [Core Register Summary on page 24](#).

The Port Drive Mode Bit Registers (PRTxDM0 and PRTxDM1) specify the Drive mode for GPIO pins.

**Bits 7 to 0: Drive Mode x[7:0].** In the PRTxDMx registers there are four possible drive modes for each port pin. Two mode bits are required to select one of these modes, and these two bits are spread into two different registers (PRTxDM0 and PRTxDM1). The bit position of the affected port pin (for example, Pin[2] in Port 0) is the same as the bit position of each of the two drive mode register bits that control the Drive mode for that pin (for example, bit[2] in PRT0DM0 and bit[2] in PRT0DM1). The two bits from the two registers are treated as a group. These are referred to as DM1 and DM0, or together as DM[1:0]. Drive modes are shown in [Table 6-3](#).

For analog I/O, set the drive mode to the High Z analog mode, 10b. The 10b mode disables the block's digital input buffer so no crowbar current flows, even when the analog input is not close to either power rail. If the 10b drive mode is used, the pin is always read as a zero by the CPU and the pin cannot generate a useful interrupt. (It is not strictly required that you select High Z mode for analog operation.)

When digital inputs are needed on the same pin as analog inputs, use the 11b Drive mode with the corresponding data bit (in the PRTxDR register) set high.

Drive Modes		Pin State	Description
DM1	DM0		
0	0	Resistive pull up	Resistive high, strong low
0	1	Strong drive	Strong high, strong low
1	0	High impedance, analog ( <b>reset state</b> )	High Z high and low, digital input disabled (for zero power) ( <b>reset state</b> )
1	1	Open drain low	High Z high (digital input enabled), strong low.

The GPIO provides a default drive mode of high impedance, analog (High Z). This is achieved by forcing the reset state of all PRTxDM1 registers to FFh.

For additional information, refer to the [PRTxDM0 register on page 259](#), and the [PRTxDM1 register on page 260](#).

### 6.2.4 IO\_CFG1 Register

Address	Name	Bit 7	Bit 6	Bit 5	Bit 4	Bit 3	Bit 2	Bit 1	Bit 0	Access
1,DCh	IO_CFG1	StrongP		Range[1:0]		P1_LOW_THRS	SPICKL_ON_P10	REG_EN	IOINT	RW : 00

The Input/Output Configuration Register 1 (IO\_CFG1) configures the Port 1 output regulator and set the Interrupt mode for all GPIO.

**Bit 7: StrongP.** Setting this bit increases the drive strength and edge ratio for high outputs.

**Bit 5 and 4: Range[1:0].** These bits select the regulator output level for Port 1. Available levels are 3.0V, 1.8V, and 2.5V.

Selects the high output level for Port 1 outputs.

Range[1:0]	Output Level
00	3.0 volts
01	3.0 volts
10	1.8 volts
11	2.5 volts

**Bit 3 P1\_LOW\_THRS.** This bit reduces the threshold voltage of the P1 port input buffers so that there are no compatibility issues when Port 1 is communicating at regulated voltage levels.

'0' is standard threshold of VIH, VIL. '1' is reduce threshold of VIH, VIL.

**Bit 2: SPICKL\_ON\_P10.** When this bit is set to '1', the SPI clock is mapped to Port 1 pin 0. Otherwise, it is mapped to Port 1 pin 3.

**Bit 1: REG\_EN.** The Register Enable bit (REG\_EN) controls the regulator on Port 1 outputs.

**Bit 0: IO INT.** This bit sets the GPIO Interrupt mode for all pins in the CY8CTMG20x, CY8CTST200 PSoC devices. GPIO interrupts are controlled at each pin by the PRTxIE registers, and also by the global GPIO bit in the INT\_MSK0 register.

For additional information, refer to the [IO\\_CFG1 register on page 272](#).

### 6.2.5 IO\_CFG2 Register

Address	Name	Bit 7	Bit 6	Bit 5	Bit 4	Bit 3	Bit 2	Bit 1	Bit 0	Access
1,DEh	IO_CFG2			REG_LEVEL[2:0]				REG_CLOCK[1:0]		RW : 00

The Input/Output Configuration Register 2 (IO\_CFG2) selects output regulated supply and clock rates.

**Bits 5 to 3: REG\_LEVEL[2:0].** These bits select output regulated supply.

REG_LEVEL[2:0]	Approx. Regulated Supply (V)		
000	3	2.5	1.8
001	3.1	2.6	1.9
010	3.2	2.7	2.0
011	3.3	2.8	2.1
100	3.4	2.9	2.2
101	3.5	3.0	2.3
110	3.6	3.1	2.4
111	3.7	3.2	2.5

**Bits 1 to 0: REG\_CLOCK[1:0].** The Regulated I/O charge pump can operate with a maximum clock speed of 12 MHz. The REG\_CLOCK[1:0] bits select clocking options for the regulator. Setting REG\_CLOCK[1:0] to '10' should be used with 24 MHz SYSCLK and '01' should be used with 6/12 MHz SYSCLK.

REG_CLOCK[1:0]	SYSCLK Clock Rate
10	24 MHz
01	6/12 MHz

For additional information, refer to the [IO\\_CFG2 register on page 275](#).



# 7. Internal Main Oscillator (IMO)



This chapter presents the Internal Main Oscillator (IMO) and its associated registers. The IMO produces clock signals of 6, 12, and 24 MHz. For a complete table of the IMO registers, refer to the [Summary Table of the Core Registers on page 24](#). For a quick reference of all PSoC registers in address order, refer to the [Register Reference chapter on page 187](#).

## 7.1 Architectural Description

The Internal Main Oscillator (IMO) outputs a clock that is normally driven to the main system clock, SYSCLK. The IMO clock frequency can be configured as 6, 12, or 24 MHz.

The accuracy of the internal IMO clock is approximately  $\pm 5\%$  over temperature and voltage variation. No external components are required to achieve this level of accuracy. The IMO provides higher accuracies when enabled for locking to USB traffic during USB operation. See [Full-Speed USB chapter on page 165](#) for more information. The IMO can be disabled when using an external clocking source. Also, the frequency doubler circuit, which produces SYSCLKX2, can be disabled to save power. When using an external clock, and SYSCLKX2 is needed, you cannot disable the IMO.

Registers for controlling these operations are found in the [Digital Clocks chapter on page 109](#).

Table 7-1. IMO Frequencies

SLIMO	CY8CTMG20x, CY8CTST200
00	12
01	6
10	24
11	Reserved

## 7.2 Application Overview

Device power may be optimized by selecting among the 24, 12, or 6 MHz settings using the SLIMO bits in the CPU\_SCR1 register in conjunction with associated trim values in the IMO\_TR register. Both methods are described ahead.

### 7.2.1 Trimming the IMO

An 8-bit register (IMO\_TR) is used to trim the IMO. Bit 0 is the LSB and bit 7 is the MSB. The trim step size is approximately 60 kHz at the 24 MHz clock setting. A factory trim setting is loaded into the IMO\_TR register at boot time.

### 7.2.2 Engaging Slow IMO

Writing to the SLIMO bits of the CPU\_SCR1 register enables the Slow IMO feature. SLIMO settings for 6 and 12 MHz are listed in [Table 7-1](#). When changing frequency ranges, the associated factory trim value must be loaded into the IMO\_TR register. The IMO immediately changes to the new frequency. Factory trim settings are stored in Flash for the frequencies listed in [Table 7-1](#).

## 7.3 Register Definitions

The following registers are associated with the Internal Main Oscillator (IMO). The register descriptions have associated register tables showing the bit structure for that register. The bits in the tables that are grayed out are reserved bits and are not detailed in the register descriptions that follow. Always write reserved bits with a value of '0'. For a complete table showing all oscillator registers, refer to the [Summary Table of the Core Registers on page 24](#).

### 7.3.1 IMO\_TR Register

Address	Name	Bit 7	Bit 6	Bit 5	Bit 4	Bit 3	Bit 2	Bit 1	Bit 0	Access
1,E8h	<a href="#">IMO_TR</a>				Trim[7:0]					RW : 00

The Internal Main Oscillator Trim Register (IMO\_TR) manually centers the oscillator's output to a target frequency.

This register is loaded with a factory trim value at boot. When changing frequency ranges, the matching frequency trim value must be loaded into this register.

A TableRead command to the Supervisory ROM returns the trim values to the SRAM. [EraseAll Parameters \(05h\)](#), on [page 36](#) has information on the location of various trim settings stored in Flash tables. Firmware needs to read the right trim value for desired frequency and update the IMO\_TR register. The IMO\_TR register must be changed at the lower frequency range setting.

For additional information, refer to the [IMO\\_TR register on page 281](#)

### 7.3.2 IMO\_TR1 Register

Address	Name	Bit 7	Bit 6	Bit 5	Bit 4	Bit 3	Bit 2	Bit 1	Bit 0	Access
1,FAh	<a href="#">IMO_TR1</a>						Fine Trim[2:0]			RW : 0

The Internal Main Oscillator Trim Register 1 (IMO\_TR1) adjusts the IMO frequency .

**Bits 2 to 0: Fine Trim[2:0].** These bits provide a fine tuning capability to the IMO trim. These three bits are the 3 LSB of the IMO trim with the IMO\_TR register supplying the 8 MSB. A larger value in this register will increase the speed

of the oscillator. The value in these bits varies the IMO frequency: approximately 7.5 kHz/step. When the EnableLock bit is set in the USB\_CR1 register, firmware writes to this register are disabled.

For additional information, refer to the [IMO\\_TR1 register on page 286](#).



### 7.3.3 CPU\_SCR1 Register

Address	Name	Bit 7	Bit 6	Bit 5	Bit 4	Bit 3	Bit 2	Bit 1	Bit 0	Access
x,FEh	<a href="#">CPU_SCR1</a>	IRESS			SLIMO[1:0]				IRAMDIS	# : 0

#### LEGEND

x An "x" before the comma in the address field indicates that this register can be read or written to no matter what bank is used.

# Access is bit specific. Refer to the [Register Reference chapter on page 187](#) for additional information.

The System Status and Control Register 1 (CPU\_SCR1) conveys the status and control of events related to internal resets and watchdog reset.

**Bit 7: IRESS.** The Internal Reset Status bit is a read only bit that determines if the booting process occurred more than once.

When this bit is set, it indicates that the SROM SWBootReset code ran more than once. If this bit is not set, the SWBootReset ran only once. In either case, the SWBootReset code does not allow execution from code stored in Flash until the M8C core is in a safe operating mode with respect to supply voltage and Flash operation. There is no need for concern when this bit is set. It is provided for systems that may be sensitive to boot time, so that they can determine if the normal one pass boot time was exceeded. For more information on the SWBootReset code, see the [Supervisory ROM \(SROM\) chapter on page 89](#).

**Bit 4 to 3: SLIMO[1:0].** These bits set the IMO frequency range. See the table below for more information.

These changes allow for optimization of speed and power. The IMO trim value must also be changed when SLIMO is changed (see [Engaging Slow IMO on page 63](#)). When not in external clocking mode, the IMO is the source for SYSCLK;

therefore, when the speed of the IMO changes so does SYSCLK.

SLIMO	CY8CTMG20x, CY8CTST200
00	12
01	6
10	24
11	Reserved

**Bit 0: IRAMDIS.** Initialize RAM Disable. This bit is a control bit that is readable and writeable. The **default value** for this bit is '0', which indicates that the maximum amount of SRAM must be initialized upon watchdog reset to a value of 00h. When the bit is '1', the minimum amount of SRAM is initialized after a watchdog reset.

For additional information, refer to the [CPU\\_SCR1 register on page 257](#).

### 7.3.4 OSC\_CR2 Register

Address	Name	Bit 7	Bit 6	Bit 5	Bit 4	Bit 3	Bit 2	Bit 1	Bit 0	Access
1,E2h	<a href="#">OSC_CR2</a>				CLK48MEN		EXTCLKEN	IMODIS		RW : 00

The Oscillator Control Register 2 (OSC\_CR2) configures various features of internal clock sources and clock nets.

**Bit 4: CLK48MEN.** This is the 48 MHz clock enable bit. '0' disables the bit and '1' enables the bit. This register setting applies only when the device is not in OCD mode. When in OCD mode, the 48 MHz clock is always active.

**Bit 2: EXTCLKEN.** When the EXTCLKEN bit is set, the external clock becomes the source for the internal clock tree, SYSCLK, which drives most device clocking functions.

All external and internal signals, including the low speed oscillator, are synchronized to this clock source. The external clock input is located on P1[4]. When using this input, the pin drive mode must be set to High Z (not High Z analog), such as drive mode 11b with PRT1DR bit 4 set high.

**Bit 1: IMODIS.** When set, the Internal Main Oscillator (IMO) is disabled.

For additional information, refer to the [OSC\\_CR2 register on page 278](#).

### 7.3.5 Related Registers

- [OSC\\_CR2 Register on page 115.](#)
- [CPU\\_SCR1 Register on page 137.](#)

## 8. Internal Low Speed Oscillator (ILO)



This chapter briefly explains the Internal Low Speed Oscillator (ILO) and its associated register. The Internal Low Speed Oscillator produces a 32 kHz or 1 kHz clock. For a quick reference of all PSoC registers in address order, refer to the [Register Reference chapter on page 187](#).

### 8.1 Architectural Description

The Internal Low Speed Oscillator (ILO) is an oscillator with a nominal frequency of 32 kHz or 1 kHz. It is used to generate sleep wakeup interrupts and watchdog resets. This oscillator is also used as a clocking source for the digital blocks. This block operates with a small internal bias current and produces an output clock of either 1 kHz or 32 kHz, configurable by the user. The ILO is trimmed for 32 kHz in production devices. There is no trim for 1 kHz, hence, high variation is expected from nominal value.

The block operates by charging a capacitor with a current, to a reference level. Once reached, the capacitor is discharged to ground. This process repeats to provide the oscillator (half) period.

---

## 8.2 Register Definitions

The following register is associated with the Internal Low Speed Oscillator (ILO). The register description has an associated register table showing the bit structure. The bits in the table that are grayed out are reserved bits and are not detailed in the register description that follows. Always write reserved bits with a value of '0'.

### 8.2.1 ILO\_TR Register

Address	Name	Bit 7	Bit 6	Bit 5	Bit 4	Bit 3	Bit 2	Bit 1	Bit 0	Access
1,E9h	<a href="#">ILO_TR</a>		PD_MODE	ILOFREQ		Freq Trim[3:0]				RW : 18

The Internal Low Speed Oscillator Trim Register (ILO\_TR) sets the adjustment for the internal low speed oscillator.

**Bit 6: PD\_MODE.** This bit selects power down mode. Setting this bit high disables the oscillator and current bias when the ILO is powered down, which results in slower startup time. Setting this bit low keeps the small current bias running when the ILO is powered down, which results in faster startup time.

**Bit 5: ILOFREQ.** When this bit is set, the oscillator operates at a nominal frequency of 1 kHz, otherwise, it runs at the default 32 kHz.

**Bits 3 to 0: FREQ\_TRIM[3:0].** These bits trim the oscillator frequency. The device-specific value, placed in the trim bits of this register at boot time, is based on factory testing. **Do not alter the values in the register.**

For additional information, refer to the [ILO\\_TR register on page 282](#).

# 9. External Crystal Oscillator (ECO)



This chapter briefly explains the External Crystal Oscillator (ECO) and its associated registers. The 32.768 kHz external crystal oscillator circuit allows the user to replace the internal low speed oscillator with a more precise time source. For a quick reference of all PSoC registers in address order, refer to the [Register Reference chapter on page 187](#).

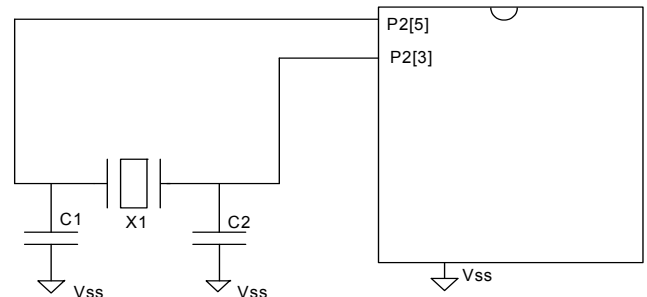
## 9.1 Architectural Description

The External Crystal Oscillator (ECO) circuit requires only the following external components: an inexpensive watch crystal and two small value capacitors. The XTALIn (P2[3]) and XTALOut (P2[5]) pins connect to a 32.768 kHz watch crystal and the two external capacitors bypass these pins to ground. [Figure 9-1](#) shows the external connections needed to implement the ECO. See the [Application Overview on page 70](#) for information on enabling the ECO. Transitions between the internal and external oscillator domains may produce glitches on the clock bus.

During the process of activating the ECO, there must be a hold-off period before using it as the 32.768 kHz source. This hold-off period is partially implemented in hardware using the sleep timer. Firmware must set up a sleep period of one second (maximum ECO settling time), and then enable the ECO in the OSC\_CR0 register. At the one second timeout (the sleep interrupt), the switch is made by hardware to the ECO. If the ECO is subsequently deactivated, the Internal Low Speed Oscillator (ILO) will again be activated and the switch is made back to the ILO immediately.

The ECO Exists bit (ECO EX, bit 0 of ECO\_CONFIG) is used to control whether the switch-over is allowed or locked. This is a write once bit. It is written early in code execution after a Power on Reset (POR) or external reset (XRES) event. A '1' in this bit indicates to the hardware that a crystal exists in the system, and firmware is allowed to switch back and forth between ECO and ILO operation. If the bit is '0', switch-over to the ECO is locked out.

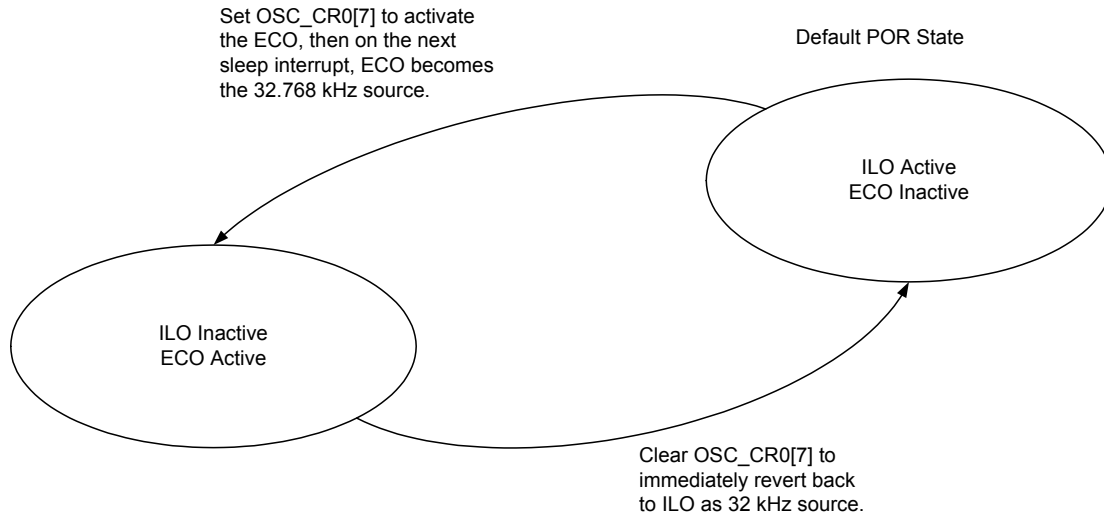
Figure 9-1. External Components for the ECO



The ECO Exists Written bit (ECO EXW, bit 1 of ECO\_CONFIG) is read only and is set on the first write to this register. When this bit is '1', it indicates that the state of ECO EX is locked. This is illustrated in [Figure 9-2](#).

Figure 9-2. State Transition Between ECO and ILO

This transition is allowed only if the write once "ECO Exists" register bit is set.



## 9.2 Application Overview

To use a 32.768 kHz external crystal, the GPIO pins that connect to the crystal must be set to the High Impedance drive mode. See the [General Purpose I/O \(GPIO\) chapter on page 55](#) for information on GPIOs and their drive modes.

The firmware steps involved in switching between the Internal Low Speed Oscillator (ILO) to the 32.768 kHz External Crystal Oscillator (ECO) are as follows.

- At reset, the device begins operation using the ILO.
1. Set the ECO EX bit to allow crystal operation.
  2. Modify bits [2:0] in the External Crystal Oscillator ENBUS Register to be 011b.
  3. Select a sleep interval of one second, using bits[4:3] in the Oscillator Control Register 0 (OSC\_CR0), as the oscillator stabilization interval.
  4. Set bit [7] in the Oscillator Control Register 0 (OSC\_CR0) to '1' to enable the external crystal oscillator.
  5. The ECO becomes the selected source at the end of the one-second interval on the edge created by the sleep interrupt logic. The one-second interval gives the oscillator time to stabilize before it becomes the active source. The sleep interrupt need not be enabled for the switch-over to occur. Reset the sleep timer (if this does not interfere with any ongoing realtime clock operation), to guarantee the interval length. Note that the ILO continues to run until the oscillator is automatically switched over by the sleep timer interrupt.

**Note** The ILO switches back instantaneously by writing the 32 kHz Select Control bit to '0'.

**Note** Transitions between oscillator domains may produce glitches on the 32 kHz clock bus. Functions that require accuracy on the 32 kHz clock should be enabled after the transition in oscillator domains.

## 9.3 Register Definitions

These registers are associated with the external crystal oscillator.

### 9.3.1 ECO\_ENBUS Register

Address	Name	Bit 7	Bit 6	Bit 5	Bit 4	Bit 3	Bit 2	Bit 1	Bit 0	Access
1,D2h	<a href="#">ECO_ENBUS</a>						ECO_ENBUS[2:0]			RW : 07

The ECO\_ENBUS register is used to disable and enable the external crystal oscillator (ECO).

**Bits 2 to 0 ECO\_ENBUS[2:0].** 111b – Default. Disables the external crystal oscillator (ECO).

011b – Allows the ECO to be enabled by bits in the ECO\_CFG register.

Other values are reserved. See the [Application Overview on page 70](#) for the proper sequence for enabling the ECO.

For additional information, refer to the [ECO\\_ENBUS register on page 269](#).

### 9.3.2 ECO\_TRIM Register

Address	Name	Bit 7	Bit 6	Bit 5	Bit 4	Bit 3	Bit 2	Bit 1	Bit 0	Access
1,D3h	<a href="#">ECO_TRIM</a>				ECO_XGM[2:0]			ECO_LP[1:0]		RW : 11

The ECO TRIM Register (ECO\_TRIM) controls gain and power settings for the 32 kHz crystal oscillator.

These settings should not be changed from their default state.

**Bits 4 to 2: ECO\_XGM[2:0].** These bits set the amplifier gain. The high power mode step size is approximately 220 nA. The low power step size is approximately 5% lower than the '111' setting.

'000' is the lowest power setting.

'111' is the highest power setting (30% power reduction).

**Bits 1 to 0: ECO\_LP[1:0].** These bits set the gain mode.

'00' is the highest power setting.

'11' is the lowest power setting. (30% power reduction).

For additional information, refer to the [ECO\\_TRIM register on page 270](#).

### 9.3.3 ECO\_CFG Register

Address	Name	Bit 7	Bit 6	Bit 5	Bit 4	Bit 3	Bit 2	Bit 1	Bit 0	Access
1,E1h	<a href="#">ECO_CFG</a>						ECO_LPM	ECO_EXW	ECO_EX	RW : 00

The ECO Configuration Register provides status and control for the ECO.

**Bit 2 ECO\_LPM.** This bit enables the ECO low power mode when high. This is recommended for use only during sleep mode.

**Bit 1 ECO\_EXW.** The ECO Exists Written bit is used as a status bit to indicate that the ECO EX bit was previously written to. It is read only. When this bit is a '1' indicates that the ECO\_CFG register was written to and is now locked.

**Bit 0 ECO\_EX.** The ECO Exists bit serves as a flag to the hardware, to indicate that an external crystal oscillator exists in the system. Just after boot, it may be written only once to a value of '1' (crystal exists) or '0' (crystal does not exist).

If the bit is '0', a switch-over to the ECO is locked out by hardware. If the bit is '1', hardware allows the firmware to freely switch between the ECO and ILO. It should be written as early as possible after a Power On Reset (POR) or External Reset (XRES) event.

For additional information, refer to the [ECO\\_CFG register on page 277](#)

---

### 9.3.4 Related Registers

- [OSC\\_CR0 Register, on page 113.](#)
- [PRTxDR Registers register on page 59.](#)
- [PRTxIE Registers register on page 59.](#)



# 10. Sleep and Watchdog

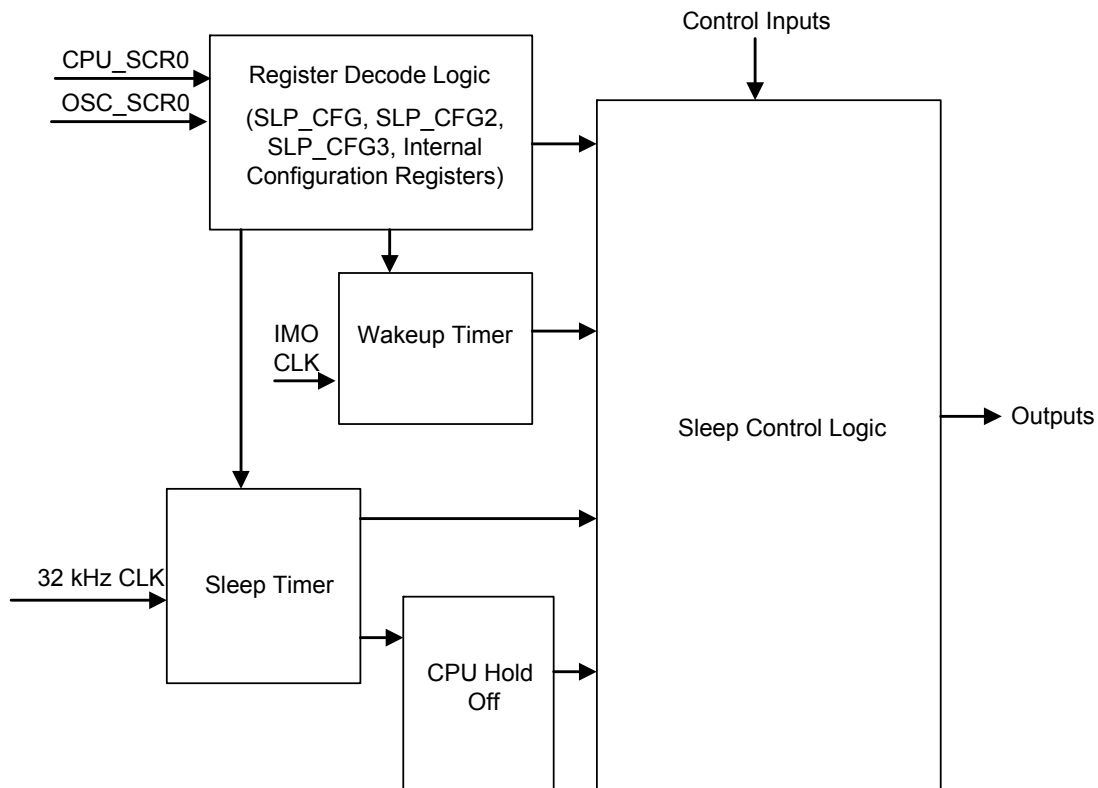


This chapter discusses the Sleep and Watchdog operations and their associated registers. For a complete table of the Sleep and Watchdog registers, refer to the [Summary Table of the Core Registers on page 24](#). For a quick reference of all PSoC registers in address order, refer to the [Register Reference chapter on page 187](#).

## 10.1 Architectural Description

Device components that are involved in Sleep and Watchdog operation are the selected 32 kHz clock, the wakeup timer, the Sleep bit in the CPU\_SCR0 register, the sleep circuit (to sequence going into and coming out of sleep), the bandgap refresh circuit (to periodically refresh the reference voltage during sleep), and the **watchdog timer**.

Figure 10-1. Sleep Controller Architecture



## 10.1.1 Sleep Control Implementation Logic

This section details the sleep mode logic implementation.

Conditions for entering the sleep modes:

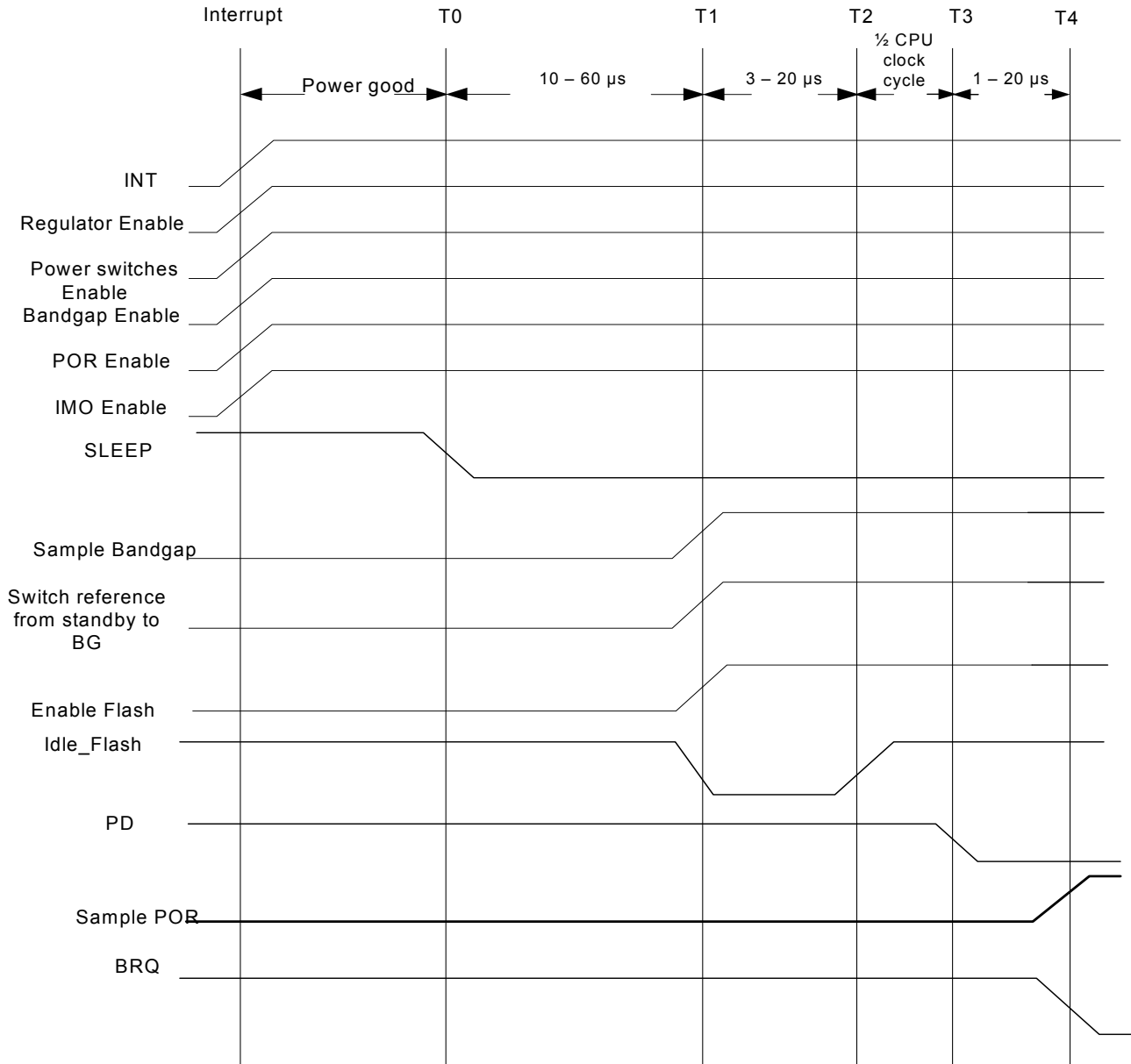
- **Standby Mode:** Set the SLEEP bit in the CPU\_SCR0 register. This asserts the "sleep" signal for the sleep controller.
- **I2C\_USB Mode:** Set the I2C\_ON bit in the SLP\_CFG2 register and then set the SLEEP bit in the CPU\_SCR0 register. Another way to enter I2C\_USB sleep mode is to set the USB Enable bit in the USB\_CR0 register and then set the SLEEP bit in the CPU\_SCR0 register. This asserts the sleep signal for the sleep controller and also the I2CEnable signal to the power system.  
The I2C block works in I2C\_USB sleep mode only to wake up the system. That is, when the device is in sleep, I2C can detect a start condition and receive an address. If the address matches, I2C generates an interrupt and wakes the system (refer to [Power Modes on page 141](#)). If you put the device to sleep again while these transactions are occurring (i.e., when you are in the middle of I2C transactions), I2C does not work and will send NACKs. I2C can only detect a start condition and collect an 8-bit address then wake the system through an interrupt during I2C sleep mode. Therefore it is recommended to check the bus status in the I2C\_XSTAT register before putting the device to sleep if there is any I2C data transfer.
- **Deep Sleep Mode:** Configure the I2C\_ON bit in the SLP\_CFG2 register to 0, then USB Enable bit in the USB\_CR0 register to '0' and the X32ON bit in OSC\_CR0 to '0'. Set the LSO\_OFF bit in the SLP\_CFG2 register and then set the "SLEEP" bit in the CPU\_SCR0 register. This enables the LSO\_OFF signal to power down the LSO. The system enters into deep sleep mode. One point to note here is to not set the X32ON bit to '1' without setting the ECO\_EX (ECO exists) bit in the ECO\_CFG (1,E1h) register to a '1'. If you do so, the deep sleep mode is not entered, but clk32K is also not running. This implies that the sleep timer interrupt or the programmable timer interrupt cannot occur.

### 10.1.1.1 Wakeup Logic

- Waking up from standby mode is by an interrupt, which can be a sleep timer interrupt, a GPIO interrupt, a 16-bit programmable timer 0 interrupt, or a USB interrupt.
- For the device, the wakeup from I2C\_USB sleep mode can be by an I2C interrupt in addition to a sleep timer interrupt, a programmable timer 0 interrupt, a GPIO interrupt, or a USB interrupt.
- For the device, the wakeup from deep sleep mode can be by either a GPIO interrupt or a USB interrupt.
- In standby mode during buzz, if the external supply falls below the LVD limit, an LVD interrupt occurs and initiates the wakeup sequence.
- In standby mode, if watchdog reset occurs, it first initiates the wakeup sequence. Once the wakeup is done, it resets the system.

As shown in [Figure 10-2](#), once the SLEEP bit is deasserted, the wakeup is initiated. The sequence is shown in the following timing diagram. The taps used in this wakeup sequence are generated based upon user configuration settings in the SLP\_CFG3 register.”

Figure 10-2. Wakeup Sequence for the Device<sup>123</sup>



1. The duration of Power Good is 3 ILO Cycles.
2. The timing of T0 – T4 is based on the IMO frequency and the settings in the SLP\_CFG3 register. For additional information, refer to the [SLP\\_CFG3 Register on page 78](#).
3. The maximum worst-case duration of the wakeup sequence is 263 μs, based on the minimum specified ILO frequency of 19 kHz, the minimum specified IMO frequency, and the default settings of the SLP\_CFG3 register.

**Note** The T0, T1, and T2 mentioned in the SLP\_CFG3 register with respect to [Figure 10-2 on page 75](#) are defined as follows:

- T0: Time duration between T0 and T1 in the timing diagram.
- T1: Time duration between T1 and T2 in the timing diagram.
- T2: Time duration between T3 and T4 in the timing diagram.

### 10.1.2 Sleep Timer

The Sleep Timer is a 15-bit up counter clocked by the 32 kHz clock source. This timer is always enabled except in deep sleep mode. The exception to this is within an **ICE (in-circuit emulator)** in **debugger** mode and when the Stop bit in the CPU\_SCR0 is set; the sleep timer is disabled, so that the user does not get continual watchdog resets when a breakpoint is hit in the debugger environment.

If the associated sleep timer interrupt is enabled, a periodic interrupt to the CPU is generated based upon the sleep interval selected from the OSC\_CR0 register. The sleep timer functionality does not need to directly associate with the sleep state. It can be used as a general purpose timer interrupt regardless of sleep state.

The reset state of the sleep timer is a count value of all zeros. There are two ways to reset the sleep timer. Any hardware reset, (that is, POR, XRES, or Watchdog Reset (WDR)) resets the sleep timer. There is also a method that allows the user to reset the sleep timer in firmware. A write of 38h to the RES\_WDT register clears the sleep timer.

**Note** Any write to the RES\_WDT register also clears the watchdog timer.

Clearing the sleep timer is done at anytime to synchronize the sleep timer operation to CPU processing. A good example of this is after POR. The CPU hold off, due to voltage ramp and others, may be significant. In addition, a significant amount of program initialization may be required. However, the sleep timer starts counting immediately after POR and is at an arbitrary count when user code begins execution. In this case, it is desirable to clear the sleep timer before enabling the sleep interrupt initially to ensure that the first sleep period is a full interval.

## 10.2 Application Overview

The following are notes regarding sleep related to firmware and application issues.

**Note 1** If an interrupt is pending, enabled, and scheduled to be taken at the instruction boundary after the write to the SLEEP bit, the system does not go to sleep. The instruction still executes, but it cannot set the SLEEP bit in the CPU\_SCR0 register. Instead, the interrupt is taken and the effect of the sleep instruction ignored.

**Note 2** There is no need to enable the Global Interrupt Enable (CPU\_F register) to wake the system out of sleep state. Individual interrupt enables, as set in the interrupt mask registers, are sufficient. If the Global Interrupt Enable is not set, the CPU does not service the ISR associated with that interrupt. However, the system wakes up and continues executing instructions from the point at which it went to sleep. In this case, the user must manually clear the pending interrupt or subsequently enable the Global Interrupt Enable bit and let the CPU take the ISR. If a pending interrupt is not cleared, it is continuously asserted. Although the SLEEP bit may be written and the sleep sequence executed as soon as the device enters sleep mode, the SLEEP bit is cleared by the pending interrupt and sleep mode is exited immediately.

**Note 3** Upon wakeup, the instruction immediately after the sleep instruction is executed before the interrupt service routine (if enabled). The instruction after the sleep instruction is prefetched before the system actually goes to sleep. Thus, when an interrupt occurs to wake the system up, the prefetched instruction executes and the interrupt service routine is executed. (If the Global Interrupt Enable is not set, instruction execution continues where it left off before sleep.)

**Note 4** If the Global Interrupt Enable bit is disabled, it is safely enabled just before the instruction that writes the SLEEP bit. It is usually undesirable to get an interrupt on the instruction boundary just before writing the SLEEP bit. This means that upon return from the interrupt, the sleep command is executed, possibly bypassing any firmware preparations that are necessary to go to sleep. To prevent this, disable interrupts before making preparations. After sleep preparations, enable global interrupts and write the SLEEP bit with the two consecutive instructions as follows.

```
and f,~01h // disable global interrupts
// (prepare for sleep, could
// be many instructions)
or f,01h // enable global interrupts
mov reg[ffh],08h // Set the sleep bit
```

Because of the timing of the Global Interrupt Enable instruction, it is not possible for an interrupt to occur immediately after that instruction. The earliest for the interrupt to occur is after the next instruction (write to the SLEEP bit) is executed. If an interrupt is pending, the sleep instruction is executed; but as described in Note 1, the sleep instruction is ignored. The first instruction executed after the ISR is the instruction after sleep.

## 10.3 Register Definitions

The following registers are associated with Sleep and Watchdog operations and are listed in address order. Each register description has an associated register table showing the bit structure for that register. The bits that are grayed out in the tables below are reserved bits and are not detailed in the register descriptions. Always write reserved bits with a value of '0'. For a complete table of the Sleep and Watchdog registers, refer to the [Summary Table of the Core Registers on page 24](#).

### 10.3.1 RES\_WDT Register

Address	Name	Bit 7	Bit 6	Bit 5	Bit 4	Bit 3	Bit 2	Bit 1	Bit 0	Access
0,E3h	RES_WDT	WDSL_Clear[7:0]								W : 00

The Reset Watchdog Timer Register (RES\_WDT) clears the watchdog timer (a write of any value) and clears both the watchdog timer and the sleep timer (a write of 38h).

**Bits 7 to 0: WDSL\_Clear[7:0].** The Watchdog Timer (WDT) write-only register is designed to timeout at three sleep timer rollover events. If only the WDT is cleared, the next Watchdog Reset (WDR) occurs anywhere from two to three times the current sleep interval setting. If the sleep timer is near the beginning of its count, the watchdog timeout is closer to three times.

However, if the sleep timer is very close to its **terminal count**, the watchdog timeout is closer to two times. To ensure a full three times timeout, clear both the WDT and the sleep timer. In applications that need a realtime clock and cannot reset the sleep timer when clearing the WDT, the duty cycle at which the WDT must be cleared is no greater than two times the sleep interval.

For additional information, refer to the [RES\\_WDT register on page 253](#).

### 10.3.2 SLP\_CFG Register

Address	Name	Bit 7	Bit 6	Bit 5	Bit 4	Bit 3	Bit 2	Bit 1	Bit 0	Access	
1,EBh	SLP_CFG	PSSDC[1:0]									RW : 0

The Sleep Configuration Register (SLP\_CFG) sets the sleep duty cycle.

The value placed in this register is based upon factory testing.

**Bits 7 and 6: PSSDC[1:0].** The Power System Sleep Duty Cycle bits set the sleep duty cycle.

For additional information, refer to the [SLP\\_CFG register on page 283](#).

### 10.3.3 SLP\_CFG2 Register

Address	Name	Bit 7	Bit 6	Bit 5	Bit 4	Bit 3	Bit 2	Bit 1	Bit 0	Access
1, ECh	SLP_CFG2					ALT_Buzz [1:0]		I2C_ON	LSO_OFF	RW : 00

The Sleep Configuration Register (SLP\_CFG2) holds the configuration for I2C sleep, deep sleep, and buzz.

**Bits 3 and 2: ALT\_Buzz[1:0].** These bits control additional selections for POR/LVD buzz rates. These are lower rates than the compatibility mode to provide for lower average power.

'00' - Compatibility mode, buzz rate determined by PSSDC bits.

'01' - Duty cycle is 1/32768.

'10' - Duty cycle is 1/8192.

'11' - Reserved.

**Bit 1: I2C\_ON.** This bit enables the standby regulator in sleep at a level sufficient to supply the I2C circuitry. It is independent of the LSO\_OFF bit.

**Bit 0: LSO\_OFF:** This bit disables the LSO oscillator when in sleep state. By default, the LSO oscillator runs in sleep. When this bit is '0', the standby regulator is active at a power level to supply the LSO and Sleep timer circuitry and the LSO is enabled. When this bit is '1', the LSO is disabled in sleep, which in turn, disables the Sleep Timer, Watchdog Timer, and POR/LVD buzzing activity in sleep. If I2C\_ON is not enabled and this bit is set, the device is in the lowest power deep sleep mode. Only a GPIO interrupt awakens the device from deep sleep mode.

For additional information, refer to the [SLP\\_CFG2 register on page 284](#).

### 10.3.4 SLP\_CFG3 Register

Address	Name	Bit 7	Bit 6	Bit 5	Bit 4	Bit 3	Bit 2	Bit 1	Bit 0	Access
1, EDh	SLP_CFG3		DBL_TAPS	T2TAP [1:0]		T1TAP [1:0]		T0TAP [1:0]		RW : 0x7F

The Sleep Configuration Register (SLP\_CFG3) holds the configuration of the wakeup sequence taps.

**It is strongly recommended to not alter this register setting.**

**Bit 6: DBL\_TAPS.** When this bit is set, all the tap values (T0, T1, and T2) are doubled for the wakeup sequence.

**Bits 5 and 4: T2TAP[1:0].** These bits control the duration of the T2-T4 sequence (see [Figure 10-2 on page 75](#)) by selecting a tap from the WakeupTimer. Note The T2 delay is only valid for the wakeup sequence. It is not used for the buzz sequence.

'00' - 1  $\mu$ s

'01' - 2  $\mu$ s

'10' - 5  $\mu$ s

'11' - 10  $\mu$ s

**Bits 3 and 2: T1TAP[1:0].** These bits control the duration of the T1-T2 sequence (see [Figure 10-2 on page 75](#)) by selecting a tap from the Wakeup Timer.

'00' - 3  $\mu$ s

'01' - 4  $\mu$ s

'10' - 5  $\mu$ s

'11' - 10  $\mu$ s

**Bits 1 and 0: T0TAP[1:0].** These bits control the duration of the T0-T1 sequence (see [Figure 10-2 on page 75](#)) by selecting a tap from the Wakeup Timer.

'00' - 10  $\mu$ s

'01' - 14  $\mu$ s

'10' - 20  $\mu$ s

'11' - 30  $\mu$ s

For additional information, refer to the [SLP\\_CFG3 register on page 285](#).

### 10.3.5 Related Registers

- [INT\\_MSK0 Register on page 51.](#)
- [OSC\\_CR0 Register on page 113.](#)
- [ILO\\_TR Register on page 68.](#)
- [CPU\\_SCR0 Register on page 138.](#)
- [CPU\\_SCR1 Register on page 137.](#)

## 10.4 Timing Diagrams

### 10.4.1 Sleep Sequence

The SLEEP bit in the CPU\_SCR0 register, is an input into the sleep logic circuit. This circuit is designed to sequence the device into and out of the hardware sleep state. The hardware sequence to put the device to sleep is shown in Figure 10-3 and is defined as follows.

1. Firmware sets the SLEEP bit in the CPU\_SCR0 register. The Bus Request (BRQ) signal to the CPU is immediately asserted: This is a request by the system to halt CPU operation at an instruction boundary.
2. The CPU issues a Bus Request Acknowledge (BRA) on the following **positive edge** of the CPU clock.
3. The sleep logic waits for the following **negative edge** of the CPU clock and then asserts a system wide Power Down (PD) signal. In Figure 10-3, the CPU is halted and the system wide PD signal is asserted.

The system wide PD signal controls three major circuit blocks: the Flash memory module, the Internal Main Oscillator (6/12 MHz oscillator that is also called the IMO), and the bandgap voltage reference. These circuits transition into a zero power state.

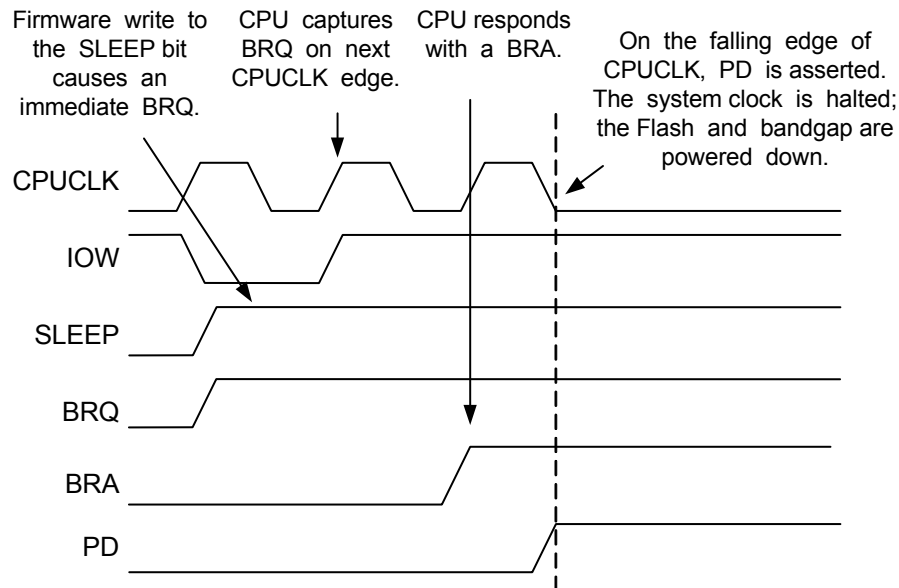
The only operational circuits on the device in standby sleep mode are the ILO, the bandgap refresh circuit, and the supply voltage monitor circuit. In standby sleep mode the supply voltage monitor circuit is active only during the buzz interval.

To properly detect and recover from a VDD brown out condition, the configurable buzz rate must be frequent enough to capture the falling edge of VDD. If the falling edge of VDD is too sharp to be captured by the buzz rate, any of the following actions must be taken to ensure that the device properly responds to a brown out condition.

- Bring the device out of sleep before powering down. This can be accomplished in firmware, or by asserting XRES before powering down.
- Assure that VDD falls below 100mV before powering back up.
- Set the No Buzz bit in the OSC\_CR0 register to keep the voltage monitoring circuit powered during sleep.
- Increase the buzz rate to assure that the falling edge of VDD will be captured. The rate is configured through the PSSDC bits in the SLP\_CFG register.

In deep sleep mode the ILO, bandgap refresh circuit and supply voltage monitor circuit are all powered down. However, additional low-power voltage monitoring circuitry gets enabled when entering deep sleep. This additional low-power voltage monitoring circuitry allows VDD brown out conditions to be detected for edge rates slower than 1V/ms.

Figure 10-3. Sleep Sequence



### 10.4.2 Wakeup Sequence

After asleep, the only event that wakes the system is an interrupt. The Global Interrupt Enable of the CPU Flag register does not need to be set. Any unmasked interrupt wakes the system up. It is optional for the CPU to actually take the interrupt after the wakeup sequence.

The wakeup sequence is synchronized to the taps from the wakeup timer (running on IMO clock). This allows the Flash memory module enough time to power up before the CPU asserts the first read access. Another reason for the delay is to allow the IMO, bandgap, and LVD/POR circuits time to settle before actually being used in the system. As shown in [Figure 10-2](#), the wakeup sequence is as follows.

1. The wakeup interrupt occurs and the sequence is initiated at INT (shown in [Figure 10-2 on page 75](#)). The interrupt asynchronously enables the regulator, the bandgap circuit, LSO, POR, and the IMO. As the core power ramps, the IMO starts to oscillate and the remainder of the sequence is timed with configurable durations from the wakeup timer.
2. At T1, the bandgap is sampled and the Flash is enabled.
3. At T2, the Flash is put in power saving mode (idle).
4. At T3, the POR/LVD comparators are sampled and the CPU restarts.

There is no difference in wakeup from deep sleep or buzzed sleep because in all cases, in order to achieve the power specification, the regulator, references and core blocks must be shut off.

### 10.4.3 Bandgap Refresh

During normal operation the bandgap circuit provides a voltage reference (VRef) to the system for use in the analog blocks, Flash, and **low voltage detect (LVD)** circuitry. Normally, the bandgap output is connected directly to the VRef signal. However, during sleep, the **bandgap reference** generator block and LVD circuits are completely powered down. The bandgap and LVD blocks are periodically reenabled during sleep to monitor for low voltage conditions. This is accomplished by periodically turning on the bandgap.

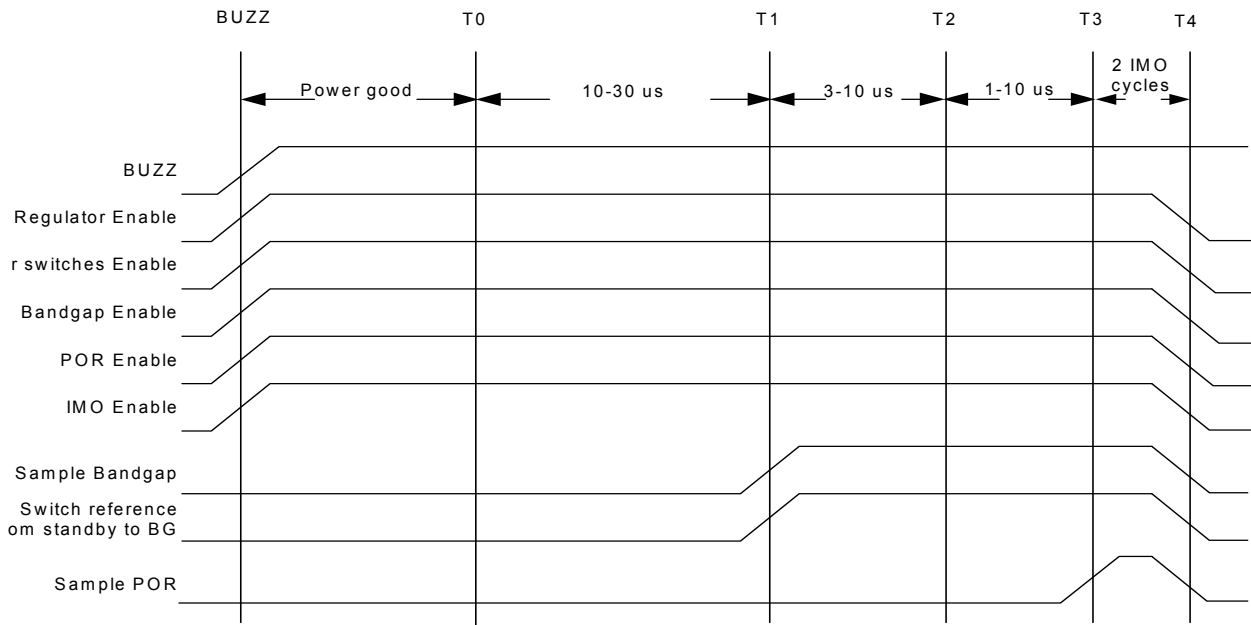
The rate at which the refresh occurs is related to the 32 kHz clock and controlled by the Power System Sleep Duty Cycle. [Table 10-1](#) lists the available selections.

Table 10-1. Power System Sleep Duty Cycle Selections

PSSDC	Sleep Timer Counts	Period (Nominal)
00b (default)	256	8 ms
01b	1024	31.2 ms
10b	64	2 ms
11b	16	500 $\mu$ s

**Note** Valid when ALT\_Buzz[1:0] of the SLP\_CFG2 register is 00b.

Figure 10-4. Buzz Sequence Timing



The buzz sequence after the Buzz signal comes. This is shown in [Figure 10-4, “Buzz Sequence Timing,” on page 80](#).



### 10.4.4 Watchdog Timer

On device boot up, the Watchdog Timer (WDT) is initially disabled. The PORS bit in the System Control register controls the enabling of the WDT. Upon boot, the PORS bit is initially set to '1', indicating that either a POR or XRES event occurred. The WDT is enabled by clearing the PORS bit. After this bit is cleared and the WDT enabled, it cannot be disabled. (The PORS bit cannot be set to '1' in firmware; only cleared.)

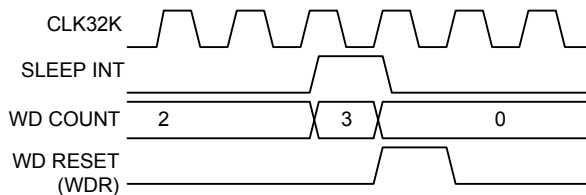
The only way to disable the watchdog function after it is enabled is through a subsequent POR or XRES. Even though the WDT is disabled during the first time through initialization code after a POR or XRES, write all code as if it is enabled (that is, periodically review the WDT). This is because in the initialization code after a WDR event, the watchdog timer is enabled so all code must be aware of this.

The watchdog timer is three counts of the sleep timer interrupt output. The watchdog interval is three times the selected sleep timer interval. The available selections for the watchdog interval are shown in [Table 10-1](#). When the sleep timer interrupt is asserted, the watchdog timer increments. When the counter reaches three, a terminal count is asserted. This terminal count is registered by the 32 kHz clock. Therefore, the WDR (Watchdog Reset) signal goes high after the falling edge of the 32 kHz clock and held asserted for one cycle (30 μs nominal). The *flip-flop* that registers the WDT terminal count is not reset by the WDR signal when it is asserted, but is reset by all other resets. This timing is shown in [Figure 10-5](#).

After enabled, periodically clear the WDT in firmware. Do this with a write to the RES\_WDT register. This write is data independent, so any write clears the watchdog timer. (Note that a write of 38h also clears the sleep timer.) If for any reason the firmware fails to clear the WDT within the selected interval, the circuit asserts WDR to the device. WDR is equivalent in effect to any other reset. All internal registers are set to their reset state. (See the table titled [Reset Functionality on page 141](#).) An important aspect to remember about WDT resets is that RAM initialization can be disabled (IRAMDIS is in the CPU\_SCR1 register). In this case, the SRAM contents are unaffected; so that when a WDR occurs, program variables are persistent through this reset.

In practical application, it is important to know that the watchdog timer interval can be anywhere between two and three times the sleep timer interval. The only way to guarantee that the WDT interval is a full three times that of the sleep interval is to clear the sleep timer (write 38h) when clearing the WDT register. However, this is not possible in applications that use the sleep timer as a realtime clock. In the case where firmware clears the WDT register without clearing the sleep timer, this occurs at any point in a given sleep timer interval. If it occurs just before the terminal count of a sleep timer interval, the resulting WDT interval is just over two times that of the sleep timer interval.

Figure 10-5. Watchdog Reset





# Section C: TrueTouch System

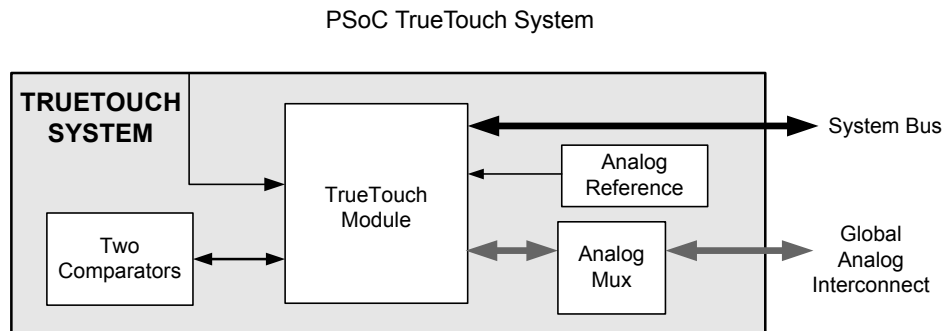


The configurable TrueTouch™ System section discusses the TrueTouch and analog components of the PSoC device and the registers associated with those components. This section encompasses the following chapters:

- [TrueTouch Module on page 85.](#)
- [Comparators on page 101.](#)
- [I/O Analog Multiplexer on page 99.](#)

## Top-Level TrueTouch Architecture

The figure below displays the top level architecture of the PSoC's TrueTouch system. Each component of the figure is discussed at length in this section.



## TrueTouch Register Summary

The table below lists all the PSoC registers for the TrueTouch system in address order within their system resource configuration. The bits that are grayed out are reserved bits. If these bits are written, always write them with a value of '0'.

Summary Table of the TrueTouch Registers

Address	Name	Bit 7	Bit 6	Bit 5	Bit 4	Bit 3	Bit 2	Bit 1	Bit 0	Access	
<b>TRUETOUCH MODULE REGISTERS (page 92)</b>											
0,A0h	CS_CR0	CSOUT[1:0]		CSD_PRCLK	CSD_CS_CLK	CSD_MODE	MODE[1:0]		EN	RW : 00	
0,A1h	CS_CR1	CHAIN	CLKSEL[1:0]		RLOCK	INV	INSEL[2:0]			RW : 00	
0,A2h	CS_CR2	IRANGE		IDACDIR	IDAC_EN	CIN_EN	PXD_EN	CIP_EN	RO_EN	RW : 00	
0,A3h	CS_CR3		REFMUX	REFMODE	REF_EN	LPFilt[1:0]		LPF_EN[1:0]		RW : 00	
0,A4h	CS_CNTL	Data[7:0]									RO : 00
0,A5h	CS_CNTH	Data[7:0]									RO : 00
0,A6h	CS_STAT	INS	COLS	COHS	PPS	INM	COLM	COHM	PPM	# : 00	
0,A7h	CS_TIMER	Timer Count Value[6:0]									RW : 00
0,A8h	CS_SLEW	FastSlew[6:0]								FS_EN	RW : 00
0,A9h	PRS_CR	CS_CLK_OUT	CS_CLK_IN	PRS_12BIT	PRS_EN	PRESCALE_BYP	PRESCALE_CLK_DIV[2:0]			RW : 00	
0,FDh	IDAC_D	DACDATA[7:0]									RW : 00
<b>IO ANALOG MULTIPLEXER REGISTERS (page 100)</b>											
0,61h	AMUX_CFG			PRX_MODE		ICAPEN[1:0]		INTCAP[1:0]		RW : 00	
1,D8h	MUX_CR0	ENABLE[7:0]									RW : 00
1,D9h	MUX_CR1	ENABLE[7:0]									RW : 00
1,DAh	MUX_CR2	ENABLE[7:0]									RW : 00
1,DBh	MUX_CR3	ENABLE[7:0]									RW : 00
1,DFh	MUX_CR4							ENABLE[3:0]			RW : 0
<b>COMPARATOR REGISTERS (page 103)</b>											
0,78h	CMP_RDC			CMP1D	CMP0D			CMP1L	CMP0L	# : 0	
0,79h	CMP_MUX	INP1[1:0]		INN1[1:0]		INP0[1:0]		INN0[1:0]		RW : 00	
0,7Ah	CMP_CR0			CMP1EN				CMP0EN		RW : 0	
0,7Bh	CMP_CR1	CINT1	CPIN1	CRST1	CDS1	CINT0	CPIN0	CRST0	CDS0	RW : 00	
0,7Ch	CMP_LUT	LUT1[3:0]				LUT0[3:0]					RW : 00

### LEGEND

- # Access is bit specific. Refer to the [Register Reference chapter on page 187](#) for additional information.
- R Read register or bit(s).
- W Write register or bit(s).

# 11. TrueTouch Module



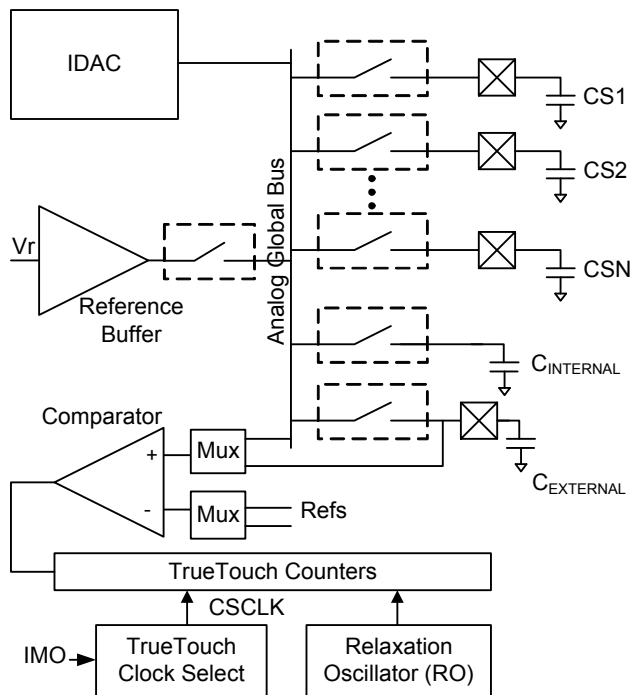
This chapter presents the TrueTouch Module and its associated registers. For a quick reference of all PSoC registers in address order, refer to the [Register Reference](#) chapter on page 187.

## 11.1 Architectural Description

### 11.1.1 Types of TrueTouch Approaches

A block diagram of the overall capacitive sensing architecture is shown in [Figure 11-1](#). CS1 through CSN are the capacitors being measured. The various sensing approaches use different subsets of this hardware.

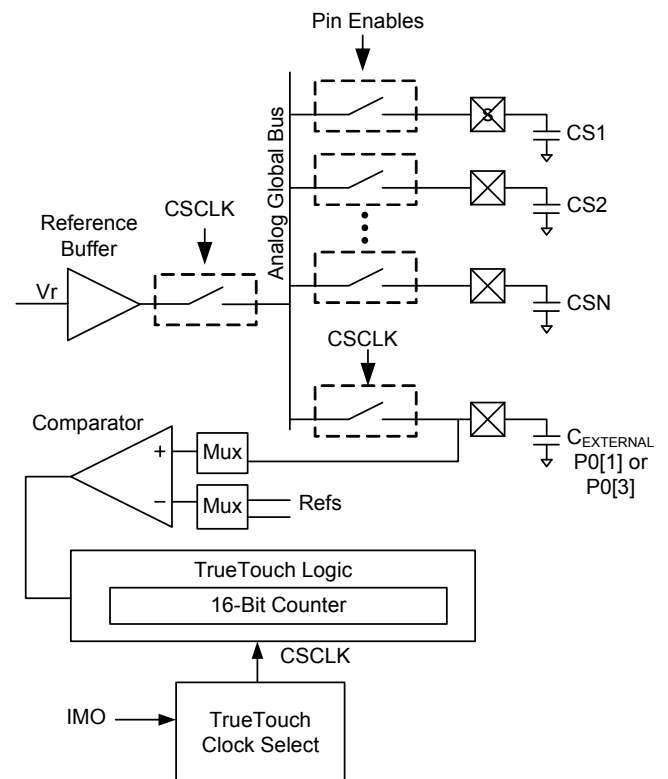
Figure 11-1. TrueTouch Module Block Diagram



#### 11.1.1.1 Positive Charge Integration

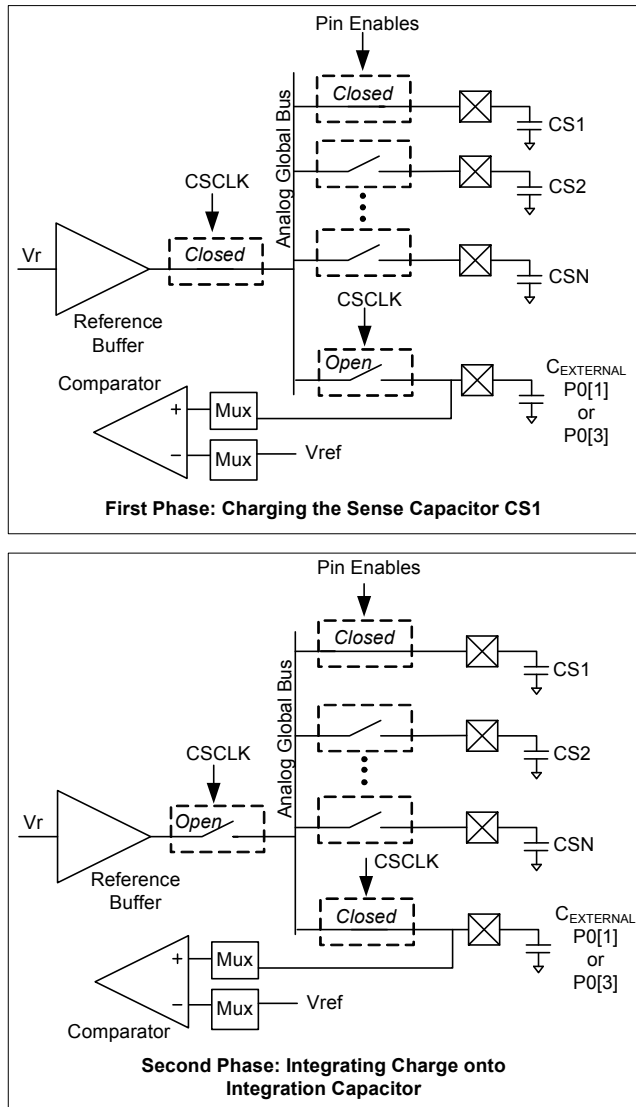
In the positive charge integration method, charge on a sense capacitor is integrated onto a larger capacitor, starting from ground. The number of cycles required to reach a target voltage gives a measurement of the sensed capacitance. The hardware configuration for this approach is shown in [Figure 11-2](#). The hardware supports the use of either pin P0[1] or P0[3] for the external integration capacitor.

Figure 11-2. Positive Charge Integration Block Diagram



The circuit operates by alternately charging the sense capacitance to the internal voltage buffer level (first phase), then on the opposite phase of the clock (second phase), the analog global bus is connected to the integration capacitor while the voltage buffer is disconnected. (See Figure 11-3.) This builds up voltage on the integration capacitor, and eventually it trips the monitoring comparator. The comparator is configured to capture the number of counts of the internal oscillator during the charging interval, yielding a capacitance measurement of the sense pin.

Figure 11-3. Charging the TrueTouch and Connection



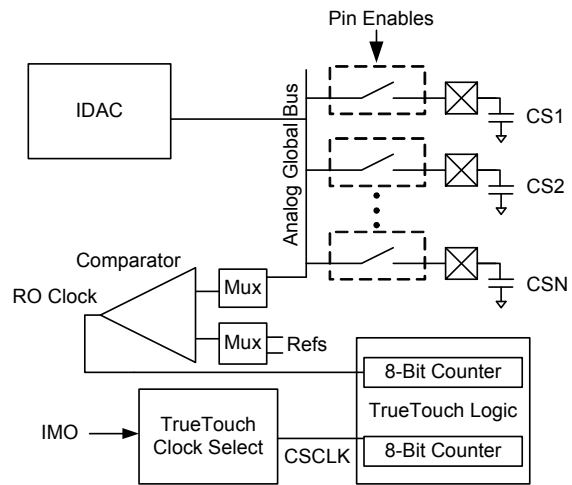
### 11.1.1.2 Relaxation Oscillator

The relaxation oscillator (RO) method operates by forming an oscillator using the sense capacitance. The IDAC, sense capacitance, and comparator (switching between two references) form the RO. There are two RO methods of capsensing supported.

In the first method, the RO is compared to the frequency of a similar internal oscillator. Normally, the relaxation oscillator is initially tuned (through firmware) to match the internal oscillator or to match a submultiple of the internal oscillator. The frequency difference is measured by defining an interval of internal oscillator clocks and counting the number of RO periods that occur during this interval. (See Figure 11-4.) Two 8-bit counters are used: one clocked by the internal oscillator and one clocked by the relaxation oscillator.

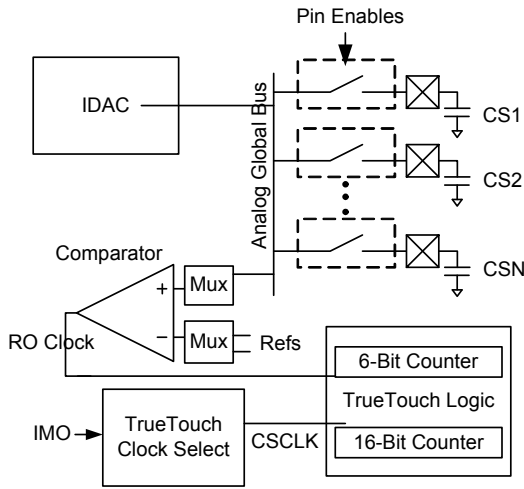
With the RO frequency closely matched to the internal oscillator and the interval set to 256 clocks, the 8-bit RO count result is the difference between the two oscillators. An overflow bit is available to test whether the number of capture counts is greater than or less than 256. Other count intervals are available. (See Figure 11-13.)

Figure 11-4. Relaxation Oscillator #1 Block Diagram



In the second RO method, the interval is set by a number of cycles of the RO using a 6-bit counter. During this interval, the IMO clocks a 16-bit counter and the final count gives a measure of capacitance. (See Figure 11-5.)

Figure 11-5. Relaxation Oscillator #2 Block Diagram

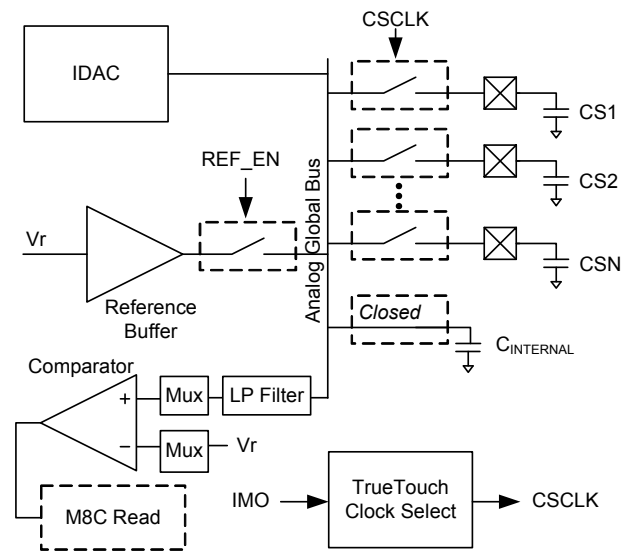


### 11.1.1.3 Successive Approximation

The successive approximation method provides a fast algorithm for capacitance measurement for applications such as detecting button presses. After a baseline is established, a set of capacitive sensors are very quickly scanned. High sensitivity can be achieved to enable scanning through a large dielectric. Figure 11-6 shows the hardware used in this method. The successive approximation method is used for proximity detection, fast button detection, and high resolution capacitance change measurement. The TrueTouch Successive Approximation (CSA) User Module in PSoC Designer™ uses this method.

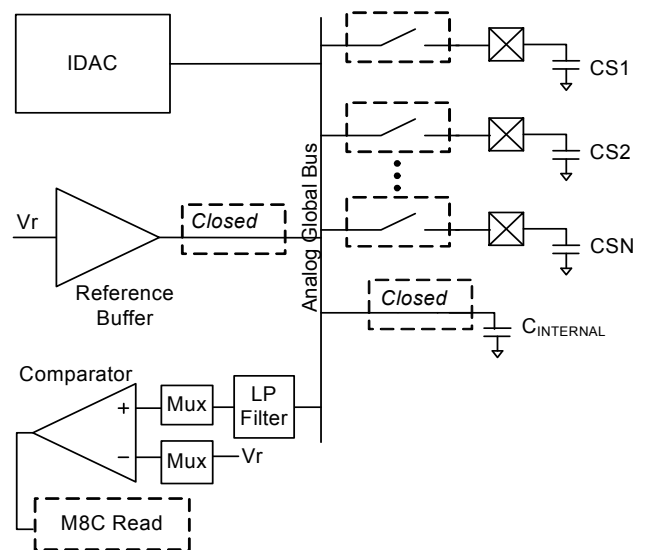
In this method, an internal capacitor is connected to the analog global bus. This bus contains ripple at the clock frequency, which is filtered with a low pass filter leading into the comparator. In addition, the IDAC current is set to the desired value as explained later in this section.

Figure 11-6. Successive Approximation Block Diagram



The reference bus is connected to the analog global line to initialize it to the Vr voltage (see Figure 11-7). After that, the reference buffer is disconnected and not used. The sense capacitance pin is now alternately grounded (see Figure 11-8) and connected to the analog global (see Figure 11-9). With the IDAC's current driving onto this net, the global net alternately charges and discharges a small amount.

Figure 11-7. Initialization Phase for Successive Approximation



For typical capacitances, the IDAC current can be configured so that the average voltage on the analog global does not change. This can be done in firmware using a successive approximation to find the IDAC setting that causes the global net to remain relatively stable for the load capacitance. After this baseline is set, a small increase in sense capacitance causes the global net to slowly discharge, eventually crossing the comparator threshold. The configurable low pass filter is designed to filter the ripple on the global net, leaving the average voltage that indicates capacitance change. Firmware can read the comparator state after a pre-selected time to see if a large enough change has occurred to trip the comparator in that time. This approach is well suited to quickly detecting a capacitive button press. Alternately, capacitance can be accurately measured by going through the complete successive approximation procedure. The final IDAC setting gives a measurement of capacitance.

The delay between starting the pin switching and reading the comparator can be set by a firmware delay, or by using the 6-bit counter in the TrueTouch logic to generate an interrupt.

Figure 11-8. First Phase of Successive Approximation

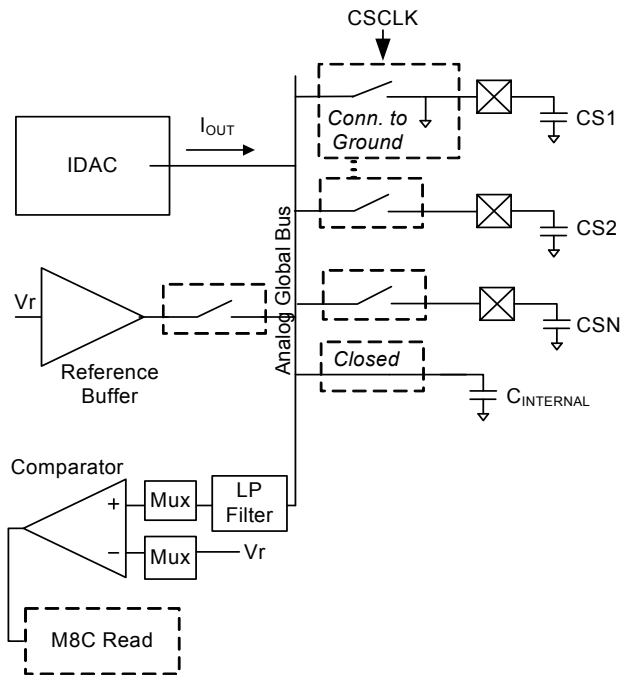
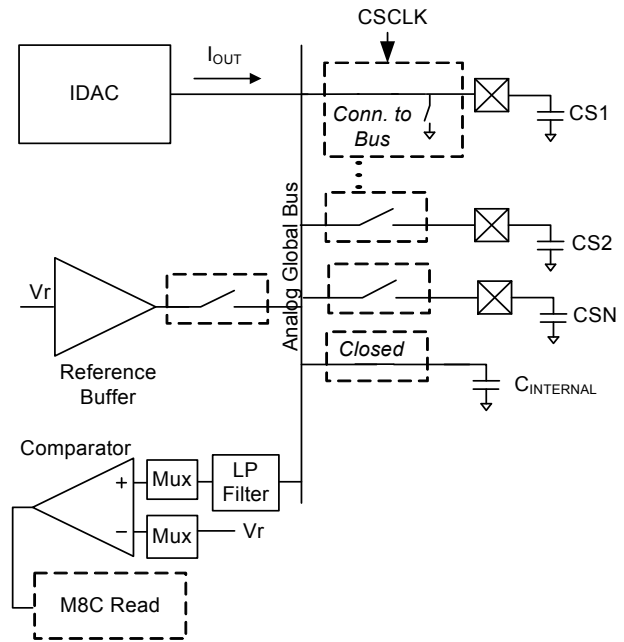


Figure 11-9. Second Phase of Successive Approximation



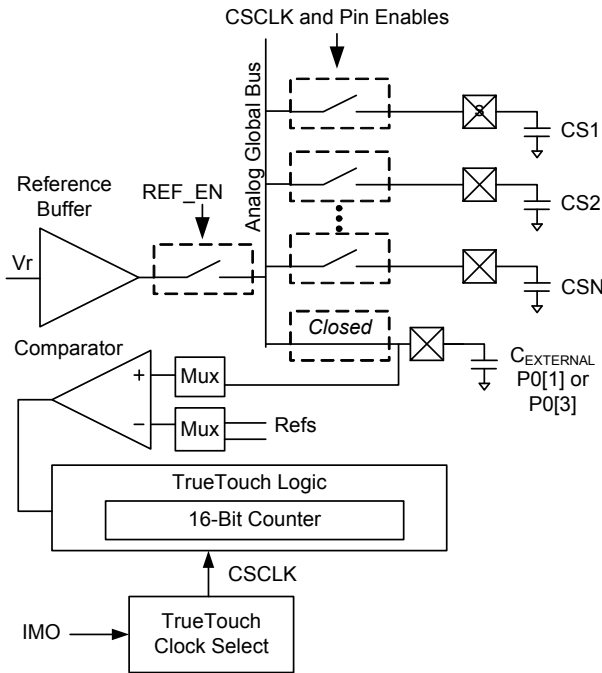
#### 11.1.1.4 Negative Charge Integration

The negative charge integration method operates by initializing an integration capacitor to a positive voltage, then disconnecting this driver. The integration capacitor voltage decays through connection with an external sense capacitor that is continuously switched between ground and the integration capacitor. The number of cycles required to reduce the voltage on the integration capacitor to a target value gives a measure of the sense capacitance. See [Figure 11-10](#).

The hardware supports the use of either pin P0[1] or P0[3] for the external integration capacitor.



Figure 11-10. Negative Charge Integration Block Diagram



The initialization phase for negative CI (charge integration) is the same as for successive approximation (Figure 11-7). Following that, a two-phase sequence discharges the integration capacitor, as illustrated in Figure 11-11 and Figure 11-12.

Figure 11-11. Negative Charge Integration First Phase: Grounding the Sense Capacitor

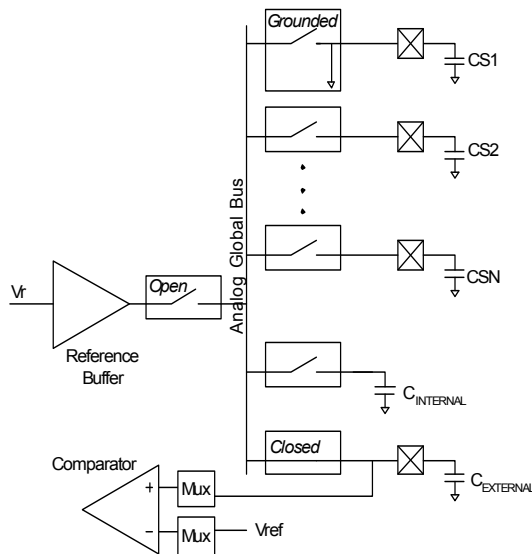
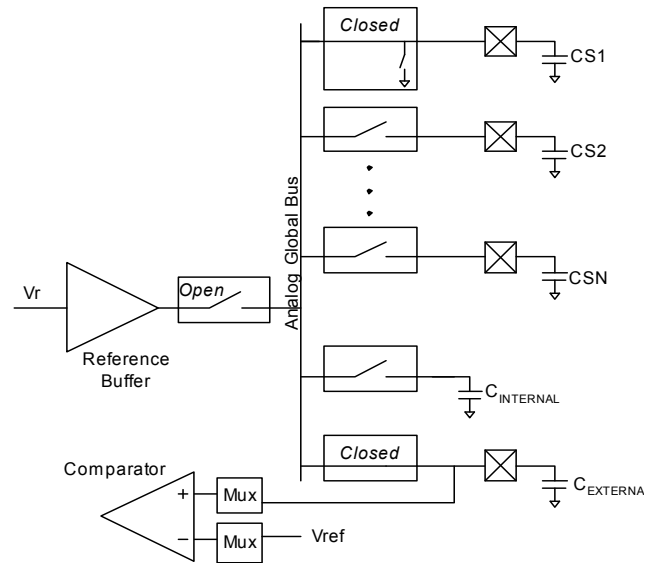


Figure 11-12. Negative Charge Integration Second Phase: Integrating Charge onto Integration Capacitor



### 11.1.1.5 Sigma Delta

The sigma delta capacitive sensing operates by holding an integration capacitor voltage near a target threshold, and charging the voltage up or down based on the present state of a comparator output. The sense capacitor is continuously switched between ground and the integration capacitor, which drives the integrated voltage down on each switching cycle. When the integration voltage is below the reference threshold, a current from the internal IDAC is used to charge the capacitor above the threshold again. The TrueTouch Sigma Delta (CSD) User Module in PSoC Designer uses this method.

As the integration capacitor voltage moves back and forth across the comparator threshold, the comparator "high" outputs are counted in an interval to give a measure of the sense capacitor. The larger the sense capacitor, the more time the comparator is low, and so the count is less.

To reduce noise, the sense capacitor is driven with a pseudo-random sequence (PRS). An 8- or 12-bit sequence can be selected, and the PRS is clocked from a prescaler giving input rates of the main system clock or any divide-by-two of this, down to SYSCLK/256. The counter accumulates counts for a selected interval, typically the cycle length of the PRS (511 or 1023 cycles of the PRS prescale clock).

When bit 0 (EN) and bit 3 (CSD\_MODE) of the CS\_CR0 register are set to '1', the TrueTouch counters are enabled to work in CSD mode. When both CMP0 (this input is double synchronized) and the "START" signal from Programmable Timer are '1', the counters increment. When this comparator output is low, the counters hold their count until the comparator goes high again. In this case:

- a. If the START output from the TIMER1 is still '1' - counters start incrementing again.
- b. If the START is '0' (START can become zero before comparator becomes '1' again) - counters stop toggling.

To start a new count, the EN bit in the CS\_CR0 register must be disabled and enabled again.

Following is a typical capacitance measurement algorithm:

- Select clock prescale (IMO divide by 1, 2, 4, ... 256).
- Configure the PRS (8 or 12 bits) and let it free-run.
- Connect external modulation capacitor (CMOD) to the analog global bus.
- Initialize CMOD with the reference buffer, to VREF.
- Enable the sense capacitor, which now switches at the PRS rate.
- Enable the IDAC / Comparator / TrueTouch Counter system, set the interval timer's count.

At this point, the analog global bus voltage moves back and forth around the VREF threshold.

- Enable the Interval Timer to start accumulating counts for the selected interval.

When the interval ends (for example, with an interrupt), the counter holds a count related to capacitance.

### 11.1.2 IDAC

The internal current DAC provides a **bias current** for use with the relaxation oscillator (RO) or for capacitance measurement in successive approximation mode. It can also be set to supply a sinking or sourcing current to any I/O pin through the analog global bus connection.

The IDAC current is set by the 8-bit IDAC\_D register. In addition, the two IRANGE bits in the CS\_CR2 register provide additional prescaling range.

### 11.1.3 TrueTouch Counter

The TrueTouch Counter block (see [Figure 11-13](#)) is optimized to implement both the charge integration algorithm and the relaxation oscillator algorithms. The hardware consists of two 8-bit up-counters with capture that can be optionally chained into a single 16-bit capture counter and an additional 6-bit counter.

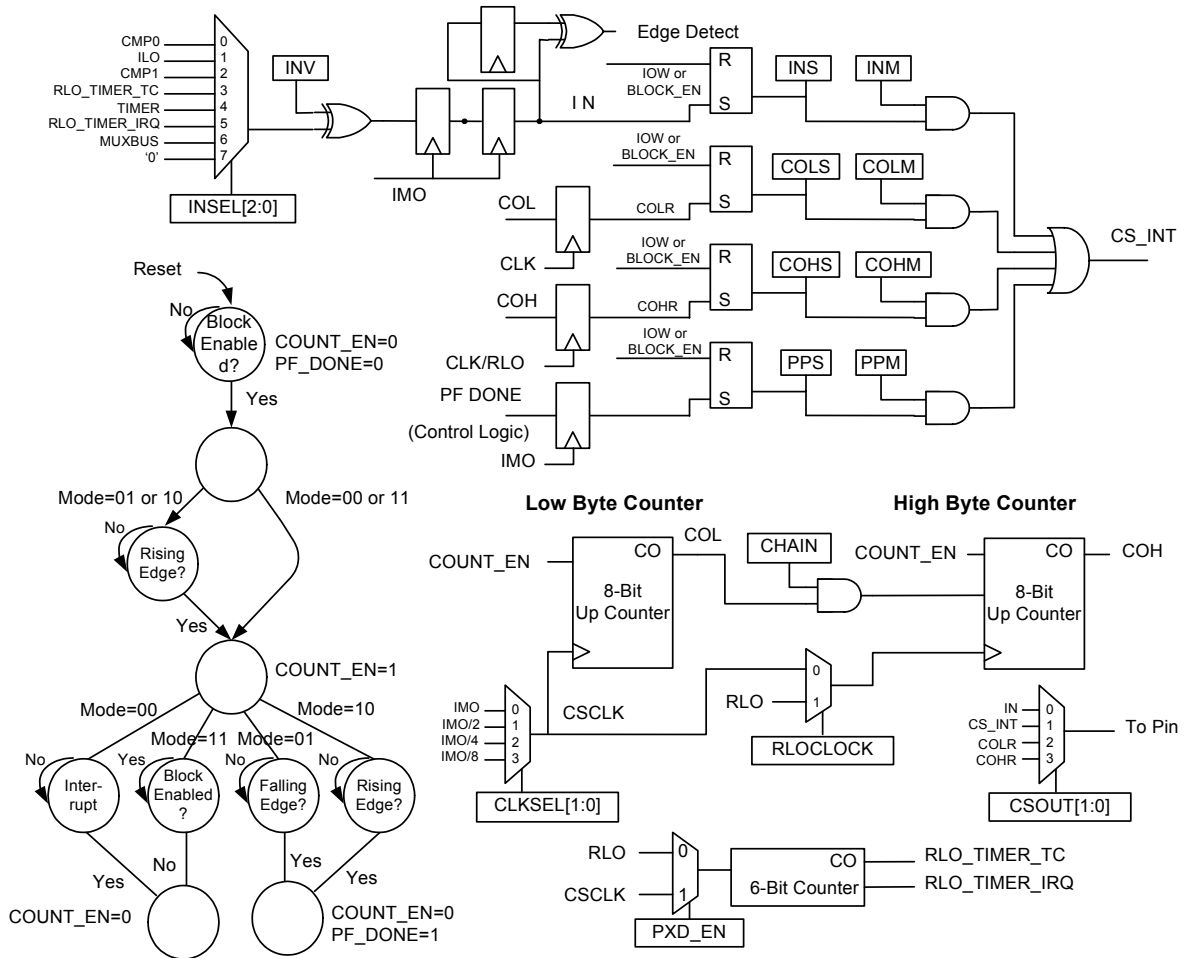
In the charge integration algorithms, a single comparator channel is an input to the count-enable logic of a 16-bit capture counter. In this implementation, the counters are chained to create the higher resolution required. When disabled, the counter is reset; when the enable bit (EN bit in CS\_CR0) is written to a '1', the counter operation starts and a subsequent comparator trip asserts the capture input. This algorithm can be operated continuously or in one shot mode. In one shot mode, the capture event causes the counters to freeze. The host processor then reads the cur-

rent count. Select the block interrupt from either the input capture or the 16-bit overflow.

In the first relaxation algorithm, the 8-bit counters operate separately. One of the counters is clocked by CSCLK, a divided version of the internal main oscillator (IMO), and one is clocked by the relaxation oscillator (RO) formed by the TrueTouch system. In this configuration, the counters are enabled simultaneously with a write to the Enable bit. Upon terminal count of Counter Low, the contents of Counter High are captured. Use the value of the Counter High capture to compute the difference between RO and IMO frequency. Changes in this count then indicate capacitance changes.

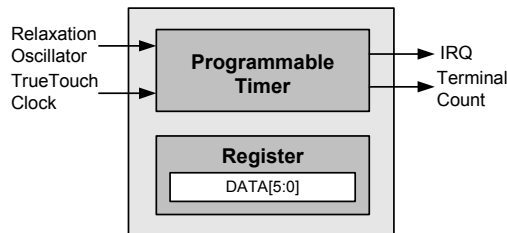
In the second relaxation algorithm, a 6-bit counter is clocked by the relaxation oscillator. A 16-bit chained counter is formed and clocked by CSCLK, a divided version of the internal main oscillator (IMO). In this configuration, the counters are enabled simultaneously with a write to the Enable bit. Upon terminal count of the 6-bit RO counter, the contents of the 16-bit counter are captured. Changes in this count then indicate capacitance changes.

Figure 11-13. TrueTouch Counter Block Diagram



The programmable timer is a 6-bit down counter with a terminal count output. This timer has one data register associated with it. The timer is started when the TrueTouch block is enabled. The enable signal is double synchronized to the timer's clock domain. When started, the timer always starts counting down from the value loaded into its data registers (CS\_TIMER). This timer only has a one shot mode, in which the timer completes one full count cycle and stops. Disabling and reenabling the TrueTouch block restarts the timer.

Figure 11-14. RLO Timer Block Diagram



The timer's clock is either the 32 kHz clock (RLO) or the TrueTouch count clock, depending upon the value of the PXD\_EN bit in the CS\_CR2 register. See the [CS\\_CR2 Register on page 93](#) for details.

### 11.1.3.1 Operation

When started, the timer loads the value contained in its data register and counts down to its terminal count of zero. The timer outputs an active high terminal count pulse for one clock cycle when it reaches the terminal count. The low time of the terminal count pulse is equal to the loaded decimal count value multiplied by the clock period. ( $TC_{pw} = COUNT\ VALUE_{decimal} * CLK_{period}$ ). The period of the terminal count output is the pulse width of the terminal count plus one clock period ( $TC_{period} = TC_{pw} + CLK_{period}$ ). Refer to the timing diagram in [Figure 11-19 on page 98](#).

## 11.2 Register Definitions

The following registers are associated with the TrueTouch Module and are listed in address order. The register descriptions have an associated register table showing the bit structure for that register. The bits in the tables that are grayed out are reserved bits and are not detailed in the register descriptions that follow. Always write reserved bits with a value of '0'. For a complete table of TrueTouch Module registers, refer to the [TrueTouch Register Summary on page 84](#).

### 11.2.1 CS\_CR0 Register

Address	Name	Bit 7	Bit 6	Bit 5	Bit 4	Bit 3	Bit 2	Bit 1	Bit 0	Access
0,A0h	CS_CR0	CSOUT[1:0]		CSD_PRCLK	CSD_CS_CLK	CSD_MODE	MODE[1:0]		EN	RW : 00

The TrueTouch Control Register 0 (CS\_CR0) controls the operation of the TrueTouch counters. Do not write bits [7:1] while the block is enabled.

**Bits 7 and 6: CSOUT[1:0].** These bits select between a number of TrueTouch signals that can be driven to an output pin. Refer to [Figure 11-13 on page 91](#) and to the [OUT\\_P1 register on page 273](#).

CSOUT[1:0]	Description
00	IN
01	CS_INT
10	COL
11	COH

**Bit 5: CSD\_PRCLK.** This bit selects between IMO-P or the PRS output as a clock source to drive the main capacitor switch. '0' selects IMO-P. '1' selects PRS output.

**Bit 4: CSD\_CS\_CLK.** This bit selects between IMO or IMO-P for the TrueTouch counters to work. Depending on this bit selection, either IMO or IMO-P is sent as the source clock to the clock dividers, which generate CS\_CLK as shown in [Figure 11-13 on page 91](#). '0' selects IMO. '1' selects IMO-P.

**Bit 3: CSD\_MODE.** This bit enables the CSD mode. When this bit is enabled, the TIMER1 block works on the IMO-P (pre-scaled IMO) clock. This is also an enable for TrueTouch counters to toggle.

'0' disables CSD mode. Programmable Timer1 works on either CPUCLK/CLK32, (depending on CLKSEL bit selection in the PT1\_CFG (0, B3h) register). '1' enables CSD mode.

When this bit is set to '1', the Programmable Timer1 works on IMO-P.

**Note:** Once the CSD\_MODE bit is enabled, the IMO-P clock is a free running divider clock that cannot be stopped and re-

started. The IMO-P and the CPU clock are both derived from the IMO clock but the phase relationship between them is nondeterministic.

**Bits 2 and 1: MODE[1:0].** These bits specify the operating mode of the counter logic. The modes are shown in the following table.

MODE[1:0]	Description
00	<b>Stop On Event</b> In this mode, the block starts counting when the EN bit is set, and stops counting upon the selected interrupt event. This mode allows the user to read the counter results in firmware. Counting is restarted again by disabling and re-enabling the block using the EN bit.
01	<b>Pulse Width</b> In this mode, after the EN bit is set, the block waits for a positive edge upon the data input selection to start the counter, and then stops the counter upon the following negative edge of the data input. Polarity is adjusted with the INV bit (CS_CR1). Counting is restarted by disabling and re-enabling the block using the EN bit.
10	<b>Period</b> In this mode, after the EN bit is set, the block waits for a positive edge upon the data input selection to start the counter, and then stops the counter upon the following positive edge of the data input. Polarity is adjusted with the INV bit (CS_CR1). Counting is restarted by disabling and re-enabling the block using the EN bit.
11	<b>Continuous</b> In this mode, the counter is used to generate a periodic interrupt. The period is set by the input clock selection in conjunction with using one 8-bit counter (period=100h) or the chained 16-bit counter (period = 10000h).

**Bit 0: EN.** When this bit is written to '1', the counters are enabled for counting. When this bit is written to '0', counting is stopped and all counter values are reset to zero. If the counting mode is stopped in conjunction with an event (see MODE[1:0]), the current count is held and read from the counter registers. Toggle the EN bit to '0' and then back to '1' to start a new count.

For additional information, refer to the [CS\\_CR0 register on page 211](#).

### 11.2.2 CS\_CR1 Register

Address	Name	Bit 7	Bit 6	Bit 5	Bit 4	Bit 3	Bit 2	Bit 1	Bit 0	Access
0,A1h	CS_CR1	CHAIN	CLKSEL[1:0]		RLOCLK	INV	INSEL[2:0]			RW : 00

The TrueTouch Control Register 1 (CS\_CR1) contains additional TrueTouch system control options. Never write to this register while the block is enabled.

**Bit 7: CHAIN.** When this bit is a '0', the two 8-bit counters operate independently. When this bit is a '1', the counters are chained to operate as a 16-bit counter.

**Bits 6 and 5: CLKSEL[1:0].** These bits select the TrueTouch module frequency of operation according to the following table:

CLKSEL[1:0]	Frequency of Operation
00	IMO
01	IMO/2
10	IMO/4
11	IMO/8

**Bit 4: RLOCLK.** When this bit is a '0', the entire TrueTouch system runs at the frequency specified in the CLKSEL[1:0] bits. When this bit is a '1', the High Counter is clocked independently by the TrueTouch RLO clock.

**Bit 3: INV.** Input Invert. When this bit is a '0', the input polarity is unchanged. When this bit is a '1', the data input select is inverted.

**Bits 2 to 0: INSEL[2:0].** Input Selection. These bits control the selection of input signals for event control according to the following table:

INSEL[1:0]	Selected Input
000	Comparator 0
001	ILO
010	Comparator 1
011	RLO Timer Terminal Count
100	Internal Timer
101	RLO Timer IRQ
110	Analog Global Mux Bus
111	'0'

For additional information, refer to the [CS\\_CR1 register on page 212](#).

### 11.2.3 CS\_CR2 Register

Address	Name	Bit 7	Bit 6	Bit 5	Bit 4	Bit 3	Bit 2	Bit 1	Bit 0	Access
0,A2h	CS_CR2	IRANGE		IDACDIR	IDAC_EN	CIN_EN	PXD_EN	CIP_EN	RO_EN	RW : 00

The TrueTouch Control Register 2 (CS\_CR2) contains additional TrueTouch system control options.

**Bits 7 and 6: IRANGE.** These bits scale the IDAC current output.

**Bit 5: IDACDIR.** This bit determines whether the IDAC sinks or sources current to the analog global bus when enabled.

**Bit 4: IDAC\_EN.** This bit enables manual connection of the IDAC to the analog global bus.

**Bit 3: CIN\_EN.** This bit enables the negative charge integration capacitor sense approach. This causes the selected sense pin to alternately connect to the analog global bus and ground, at the rate selected by the CLKSEL bits in the CS\_CR1 register.

**Bit 2: PXD\_EN.** This bit drives a clock to each I/O pin that is enabled for connection to the analog global bus. This clock alternately connects the pin to the bus, then connects the pin to ground. The clock rate is selected by the CLKSEL bits in the CS\_CR1 register. In addition, the IDAC sources current to the bus. The programmable timer is clocked by this same clock.

**Bit 1: CIP\_EN.** This bit enables the positive charge integration capacitor sense approach. This causes the reference buffer and the selected integration capacitor pin(s) to alternately connect to the analog global bus at the rate selected by the CLKSEL bits in the CS\_CR1 register.

**Bit 0: RO\_EN.** This bit enables the relaxation oscillator. The internal RO is connected to the analog global bus, and the capacitance of any connected pins affects the RO frequency. The oscillator current is set by the value of the IDAC\_D register.

For additional information, refer to the [CS\\_CR2 register on page 213](#).

## 11.2.4 CS\_CR3 Register

Address	Name	Bit 7	Bit 6	Bit 5	Bit 4	Bit 3	Bit 2	Bit 1	Bit 0	Access
0,A3h	<a href="#">CS_CR3</a>		REFMUX	REFMODE	REF_EN	LPFilt[1:0]		LPF_EN[1:0]		RW : 00

The TrueTouch Control Register 3 (CS\_CR3) contains control bits primarily for the low pass filter and reference buffer.

**Bit 6: REFMUX.** This bit selects between VREF and REFHI for the reference buffer input.

**Bit 5: REFMODE.** This bit is used for manual connection of the reference buffer to the analog global bus. If either the CI\_EN or RO\_EN bits are set high in the CS\_CR2 register, this bit has no effect.

**Bit 4: REF\_EN.** This bit enables the reference buffer to drive to the analog global bus.

**Bits 3 and 2: LPFilt[1:0].** These bits control the time constant of the low pass filter that connect to the analog bus.

**Bits 1 and 0: LPF\_EN[1:0].** These bits are used to connect a low pass filter into the input of either comparator channel.

For additional information, refer to the [CS\\_CR3 register on page 214](#).

## 11.2.5 CS\_CNTL Register

Address	Name	Bit 7	Bit 6	Bit 5	Bit 4	Bit 3	Bit 2	Bit 1	Bit 0	Access
0,A4h	<a href="#">CS_CNTL</a>	Data[7:0]								RO : 00

The TrueTouch Counter Low Byte Register (CS\_CNTL) contains the current count for the low byte counter.

**Bits 7 to 0: Data[7:0].** This value contains the current count for the counter low block. Stop this block to read a valid value.

For additional information, refer to the [CS\\_CNTL register on page 215](#).

## 11.2.6 CS\_CNTH Register

Address	Name	Bit 7	Bit 6	Bit 5	Bit 4	Bit 3	Bit 2	Bit 1	Bit 0	Access
0,A5h	<a href="#">CS_CNTH</a>	Data[7:0]								RO : 00

The TrueTouch Counter High Byte Register (CS\_CNTH) contains the current count value for the high byte counter.

**Bits 7 to 0: Data[7:0].** This value contains the current count for the counter high block. Stop this block to read a valid value.

For additional information, refer to the [CS\\_CNTH register on page 216](#).

### 11.2.7 CS\_STAT Register

Address	Name	Bit 7	Bit 6	Bit 5	Bit 4	Bit 3	Bit 2	Bit 1	Bit 0	Access
0,A6h	CS_STAT	INS	COLS	COHS	PPS	INM	COLM	COHM	PPM	# : 00

**LEGEND**

# Access is bit specific.

The TrueTouch Status Register (CS\_STAT) controls TrueTouch counter options.

**Status Bits 7 to 4.** The posted TrueTouch interrupts are the corresponding status bits in this register. Interrupt clearing is performed by clearing the associated status bit. Status can only be updated while the block is enabled and running. All status bits are cleared when the block is disabled.

**Bit 7: INS.** Input Status. Reading a '1' indicates a rising edge on the selected input was detected. Reading a '0' indicates that this event did not occur. This bit is cleared by writing a '0' to this bit position. Writing a '1' has no effect.

**Bit 6: COLS.** Counter Carry Out Low Status. Reading a '1' indicates an overflow occurred in the Counter Low block. Reading a '0' indicates that this event did not occur. This bit is cleared by writing a '0' to this bit position. Writing a '1' has no effect.

**Bit 5: COHS.** Counter Carry Out High Status. Reading a '1' indicates an overflow occurred in the Counter High block. Reading a '0' indicates that this event did not occur. This bit is cleared by writing a '0' to this bit position. Writing a '1' has no effect.

**Bit 4: PPS.** Pulse Width/Period Status. Reading a '1' indicates the completion of a pulse width or period measurement (as defined by the MODE[1:0] bits in CS\_CR0). This bit is cleared by writing a '0' to this bit position. Writing a '1' has no effect.

**Mask Bits 3 to 0.** Never modify the interrupt mask bits while the block is enabled. If modification to bits 3 to 0 is necessary while the block is enabled, make certain that the status bits, bits 7 to 4, are not accidentally cleared. Do this by writing a '1' to all of the status bits when writing to the mask bits.

**Bit 3: INM.** Input Interrupt Mask. When this bit is a '1', a rising edge event on the input asserts the block interrupt. When this bit is a '0', this event is masked.

**Bit 2: COLM.** Counter Carry Out Low Mask. When this bit is a '1', a carry out from the counter low block asserts the block interrupt. When this bit is a '0', this event is masked.

**Bit 1: COHM.** Counter Carry Out High Mask. When this bit is a '1', a carry out from the counter high block asserts the block interrupt. When this bit is a '0', this event is masked.

**Bit 0: PPM.** Pulse Width/Period Mask. When this bit is a '1', the completion of a pulse width or period measurement asserts the block interrupt. When this bit is a '0', this event is masked.

For additional information, refer to the [CS\\_STAT register on page 217](#).

### 11.2.8 CS\_TIMER Register

Address	Name	Bit 7	Bit 6	Bit 5	Bit 4	Bit 3	Bit 2	Bit 1	Bit 0	Access
0,A7h	CS_TIMER	Timer Count Value[6:0]								RW : 00

The TrueTouch Timer Register (CS\_TIMER) sets the timer count value.

**Bits 6 to 0: Timer Count Value[6:0].** The 6-bit value in this register sets the initial count value for the timer.

For additional information, refer to the [CS\\_TIMER register on page 218](#).

## 11.2.9 CS\_SLEW Register

Address	Name	Bit 7	Bit 6	Bit 5	Bit 4	Bit 3	Bit 2	Bit 1	Bit 0	Access
0,A8h	CS_SLEW	FastSlew[6:0]							FS_EN	RW : 00

The TrueTouch Slew Control Register (CS\_SLEW) enables and controls a fast slewing mode for the relaxation oscillator.

**Bits 7 to 1: FastSlew[6:0].** This 7-bit count sets the time interval, in IMO cycles, for a faster slew rate on the relaxation oscillator edges. The interval applies to both rising and falling edges. This timer value has no effect unless the FS\_EN bit is set high.

**Bit 0: FS\_EN.** This bit enables the fast slewing interval on each edge of the relaxation oscillator.

For additional information, refer to the [CS\\_SLEW register on page 219](#).

## 11.2.10 PRS\_CR Register

Address	Name	Bit 7	Bit 6	Bit 5	Bit 4	Bit 3	Bit 2	Bit 1	Bit 0	Access
0,A9h	PRS_CR	CS_CLK_OUT	CS_CLK_INV	PRS_12BIT	PRS_EN	PRESCALE_BYP	PRESCALE_CLK_DIV[2:0]			RW : 00

Pseudo Random Sequence and Prescaler Control Register controls the prescaler and Pseudo Random Sequence generator output.

**Bit 7: CS\_CLK\_OUT.** This bit selects the TrueTouch clock (inversion or non-inversion depending on bit 6 setting) to be routed onto primary pin depending on the OUT\_P1/OUT\_P0 register selection.

Use a '1' to route prescaler output or PRS output (depending on the CSD\_PRSClk in CS\_CR0 when in CSD mode) or route the clock based on CLKSEL bits in the CS\_CR1 register in normal TrueTouch mode to primary pins P1[2]/P0[7] (depending on OUT\_P1/OUT\_P0 bit selections instead of the normal CSOUT[1:0] selections). See the OUT\_P1/OUT\_P0 registers for more details. Use a '0' to use CSOUT [1:0] selections as normal.

**Bit 6: CS\_CLK\_INV.** This bit allows you to selectively route either the TrueTouch clock or the inversion of the TrueTouch clock onto a pin. A '1' routes inverted TrueTouch clock to pin (see bit 7). A '0' routes non-inverted TrueTouch clock to pin (see bit 7).

**Bit 5: PRS\_12BIT.** This bit allows selection between 8-bit PRS or 12-bit PRS output. With '0', the MSB of the 8-bit PRS is sent out. With '1', the MSB of the 12-bit PRS is sent out.

**Bit 4: PRS\_EN.** This bit is used to enable or disable the PRS block. With '0', the PRS is disabled. The PRS block output is 0. With '1', the PRS is enabled and bit 5 decides whether the MSB of the 12-bit PRS is sent out or the MSB of the 8-bit PRS is sent out.

**Bit 3: PRESCALE\_BYP.** This bit is used to bypass the prescaler and pass the input clock undivided onto the output. The output of the prescaler feeds the clock input to the PRS block. With '0', the divided clock is sent out of the prescaler depending on the setting of bit [2:0]. With '1', the incoming IMO clock is sent out of the prescaler without any division.

**Bits 2 to 0: PRESCALE\_CLK\_DIV[2:0].** These bits allow the selection of one of eight frequencies of the incoming IMO clock to be fed as input to the PRS block.

PRESCALE_CLK_DIV[2:0]	Description
000	Divides the input IMO clock by 2
001	Divides the input IMO clock by 4
010	Divides the input IMO clock by 8
011	Divides the input IMO clock by 16
100	Divides the input IMO clock by 32
101	Divides the input IMO clock by 64
110	Divides the input IMO clock by 128
111	Divides the input IMO clock by 256

For additional information, refer to the [PRS\\_CR register on page 220](#).



### 11.2.11 IDAC\_D Register

Address	Name	Bit 7	Bit 6	Bit 5	Bit 4	Bit 3	Bit 2	Bit 1	Bit 0	Access
0,FDh	IDAC_D	IDACDATA[7:0]								RW : 00

The Current DAC Data Register (IDAC\_D) specifies the 8-bit multiplying factor that determines the output DAC current.

**Bits 7 to 0: IDACDATA[7:0].** The 8-bit value in this register sets the current driven onto the analog global mux bus when the current DAC mode is enabled.

For additional information, refer to the [IDAC\\_D register on page 256](#).

## 11.3 Timing Diagrams

Figure 11-15. Event Timing (Mode = 00)

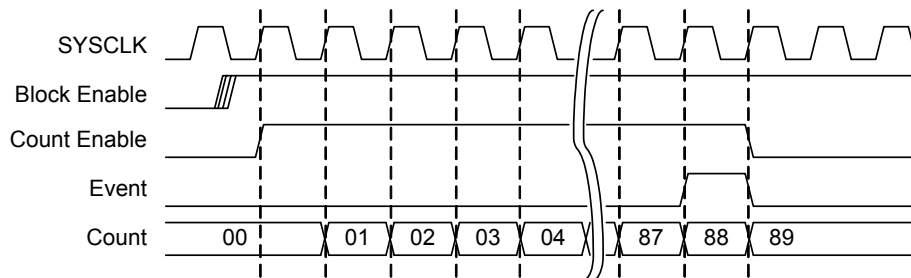


Figure 11-16. Pulse Width Frequency Timing (Mode = 01/10)

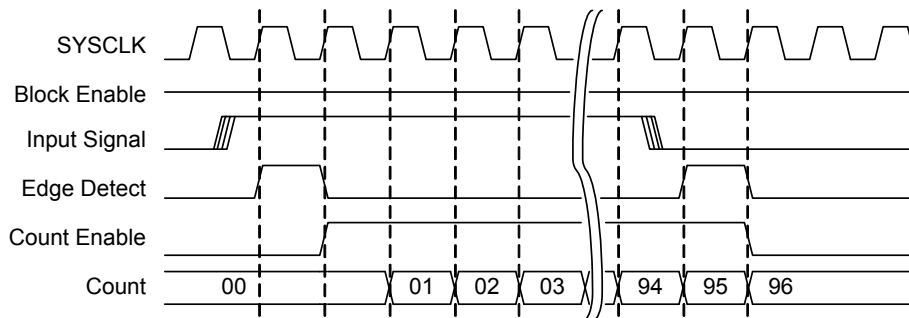


Figure 11-17. Continuous Timing (Mode = 11)

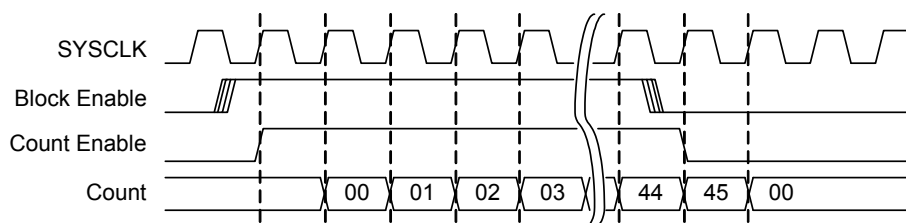


Figure 11-18. High Byte Counter Timing (RLO Clock Selected)

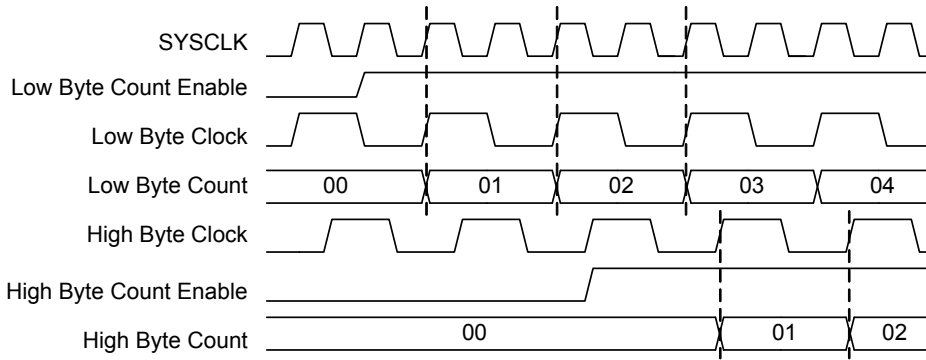
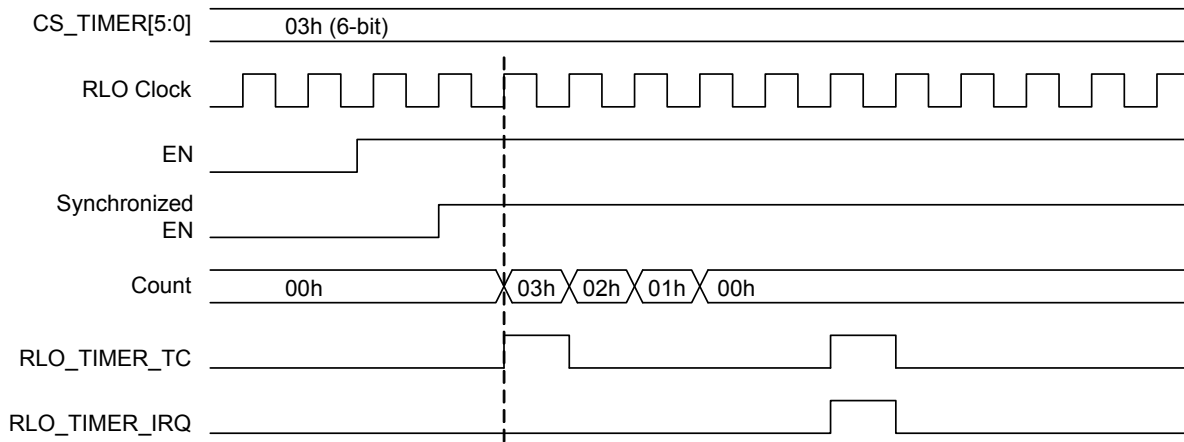


Figure 11-19. 6-Bit RLO Timer Operation



# 12. I/O Analog Multiplexer



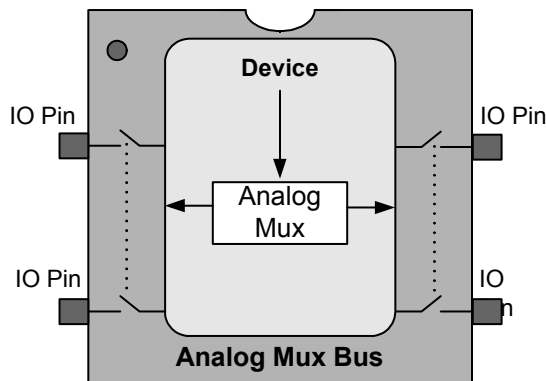
This chapter explains the device-wide I/O Analog Multiplexer for the CY8CTMG20x and CY8CTST200 PSoC devices and their associated registers. For a quick reference of all registers in address order, refer to the [Register Reference chapter on page 187](#).

## 12.1 Architectural Description

The CY8CTMG20x and CY8CTST200 PSoC devices contain an enhanced analog multiplexer (mux) capability. This function allows many I/O pins to connect to a common internal analog global bus.

You are able to connect any number of pins simultaneously, and dedicated support circuitry allows selected pins to be alternately charged high or connected to the bus. The analog global bus can be connected as a comparator input. [Figure 12-1](#) shows a block diagram of the I/O analog mux system.

Figure 12-1. I/O Analog Mux System

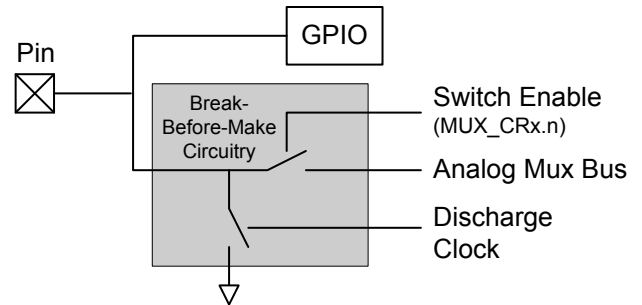


For each pin, the mux capability exists in parallel with the normal GPIO cell, shown in [Figure 12-2](#). Normally, the associated GPIO pin is put into a high impedance state for these applications, although there are cases where the GPIO cell is configured by the user to briefly drive pin initialization states as described ahead.

Pins are individually connected to the internal bus by setting the corresponding bits in the MUX\_CRx registers. Any num-

ber of pins can be enabled at the same time. At reset, all of these mux connections are open (disconnected).

Figure 12-2. I/O Pin Configuration



## 12.2 Register Definitions

The following registers are only associated with the Analog Bus Mux in the CY8CTMG20x and CY8CTST200 PSoC devices and are listed in address order. Each register description has an associated register table showing the bit structure for that register. Register bits that are grayed out throughout this document are reserved bits and are not detailed in the register descriptions that follow. Always write reserved bits with a value of '0'.

### 12.2.1 MUX\_CRx Registers

Address	Name	Bit 7	Bit 6	Bit 5	Bit 4	Bit 3	Bit 2	Bit 1	Bit 0	Access
1,D8h	<a href="#">MUX_CR0</a>									ENABLE[7:0] RW : 00
1,D9h	<a href="#">MUX_CR1</a>									ENABLE[7:0] RW : 00
1,DAh	<a href="#">MUX_CR2</a>									ENABLE[7:0] RW : 00
1,DBh	<a href="#">MUX_CR3</a>									ENABLE[7:0] RW : 00
1,DFh	<a href="#">MUX_CR4</a>									ENABLE[3:0] RW : 0

The Analog Mux Port Bit Enable Registers (MUX\_CR0, MUX\_CR1, MUX\_CR2, MUX\_CR3, and MUX\_CR4) control the connection between the analog mux bus and the corresponding pin.

**Bits 7 to 0: ENABLE[7:0].** The bits in these registers enable connection of individual pins to the analog mux bus. Each I/O port has a corresponding MUX\_CRx register.

Setting a bit high connects the corresponding pin to the analog bus.

For additional information, refer to the [MUX\\_CRx register on page 271](#).

# 13. Comparators

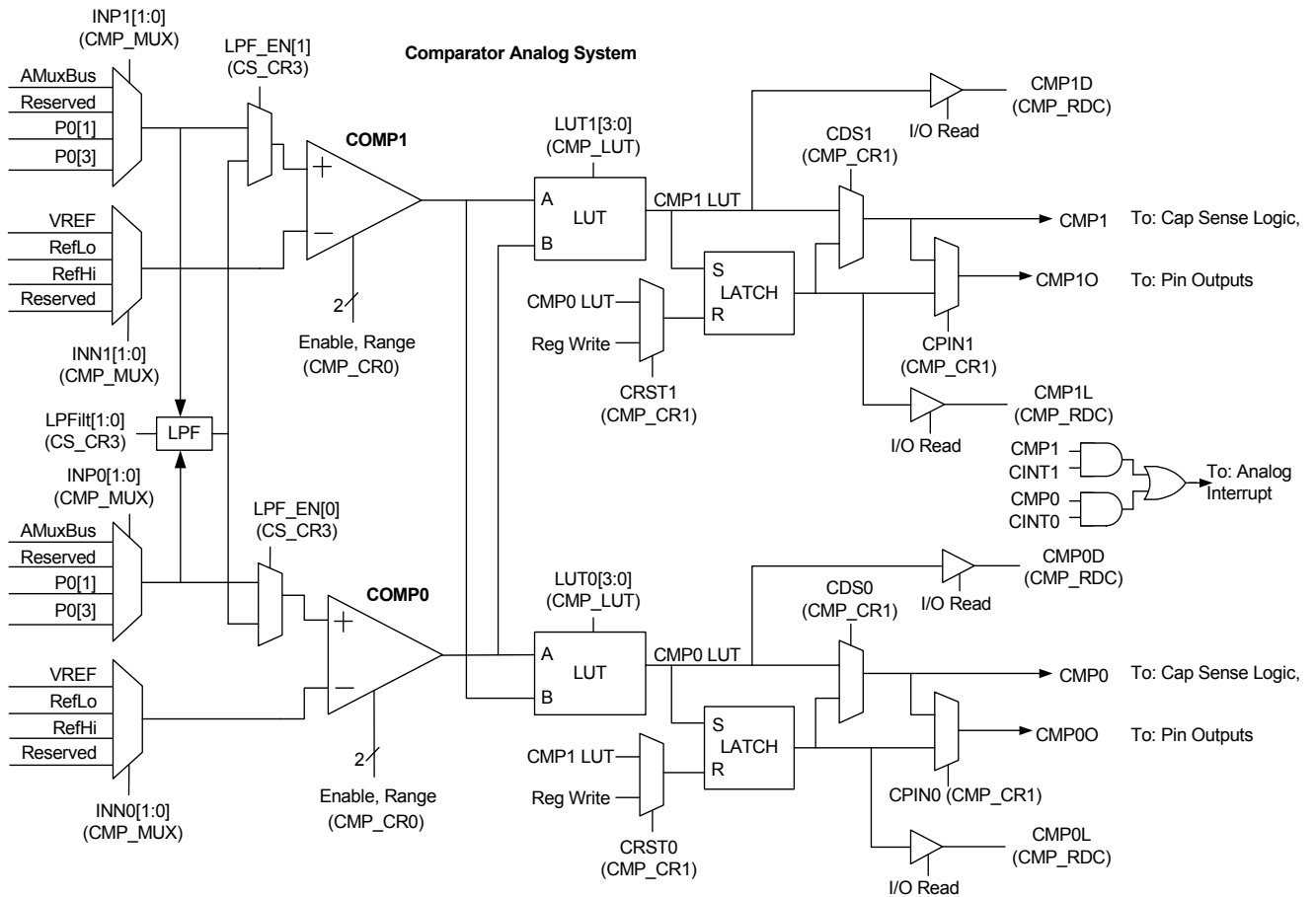


This chapter explains the Comparators for the CY8CTMG20x and CY8CTST200 PSoC devices and their associated registers. For a complete table of the comparator registers, refer to the [TrueTouch Register Summary on page 84](#). For a quick reference of all registers in address order, refer to the [Register Reference chapter on page 187](#).

## 13.1 Architectural Description

The CY8CTMG20x and CY8CTST200 PSoC devices contain two comparators designed to support capacitive sensing or other general purpose uses. [Figure 13-1](#) shows a block diagram of the comparator system.

Figure 13-1. Comparators Block Diagram



## Comparators

The comparator digital interface performs logic processing on one or more comparator signals, provides a latching capability, and routes the result to other chip subsystems. The comparator signal is routed through a lookup table (LUT) function. The other input to the LUT is the neighboring comparator output. The LUT implements 1 of 16 functions on the two inputs, as selected by the CMP\_LUT register. The LUT output also feeds the set input upon a reset/set (RS) latch. The latch is cleared by writing a '0' to the appropriate bit in the CMP\_RDC register or by a rising edge from the other comparator LUT.

The primary output for each comparator is the LUT output or its latched version. These are routed to the TrueTouch logic and to the interrupt controller. The comparator LUT output state and latched state are directly read by the CPU through the CMP\_RDC register. A selection of comparator state may also be driven to an output pin.

When disabled, the comparators consume no power. Two active modes provide a full rail-to-rail input range or a somewhat lower power option with limited input range.

## 13.2 Register Definitions

The following registers are associated with the Comparators in the CY8CTMG20x and CY8CTST200 PSoC devices and are listed in address order. For a complete table of the comparator registers, refer to the [TrueTouch Register Summary on page 84](#). Each register description has an associated register table showing the bit structure for that register. Register bits that are grayed out throughout this document are reserved bits and are not detailed in the register descriptions that follow. Always write reserved bits with a value of '0'.

### 13.2.1 CMP\_RDC Register

Address	Name	Bit 7	Bit 6	Bit 5	Bit 4	Bit 3	Bit 2	Bit 1	Bit 0	Access
0,78h	CMP_RDC			CMP1D	CMP0D			CMP1L	CMP0L	# : 00

**LEGEND**

# Access is bit specific.

The Comparator Read/Clear Register (CMP\_RDC) reads the state of the comparator data signal and the latched state of the comparator.

**Bit 5: CMP1D.** Comparator 1 Data State. This is a read only bit and returns the dynamically changing state of the comparator.

**Bit 4: CMP0D.** Comparator 0 Data State. This bit is a read-only bit and returns the dynamically changing state of the comparator.

**Bit 1: CMP1L.** Comparator 1 Latched State. This bit is set and held high whenever the comparator 1 LUT goes high since the last time this register was read. Refer to the CRST1 bit in the CMP\_CR1 register for information on how the latch is cleared.

**Bit 0: CMP0L.** Comparator 0 Latched State. This bit is set and held high whenever the comparator 0 LUT goes high since the last time this register was read. Refer to the CRST0 bit in the CMP\_CR1 register for information on how the latch is cleared.

For additional information, refer to the [CMP\\_RDC register on page 205](#).

### 13.2.2 CMP\_MUX Register

Address	Name	Bit 7	Bit 6	Bit 5	Bit 4	Bit 3	Bit 2	Bit 1	Bit 0	Access
0,79h	CMP_MUX	INP1[1:0]		INN1[1:0]		INP0[1:0]		INN0[1:0]		RW : 00

The Comparator Multiplexer Register (CMP\_MUX) contains control bits for input selection of comparators 0 and 1.

**Bits 7 and 6: INP1[1:0].** These bits select the positive input.

**Bits 5 and 4: INN1[1:0].** These bits select the negative input.

**Bits 3 and 2: INP0[1:0].** These bits select the positive input data source for comparator 0.

**Bits 1 and 0: INN0[1:0].** These bits select the negative input data source for comparator 0.

For additional information, refer to the [CMP\\_MUX register on page 206](#).

### 13.2.3 CMP\_CR0 Register

Address	Name	Bit 7	Bit 6	Bit 5	Bit 4	Bit 3	Bit 2	Bit 1	Bit 0	Access
0,7Ah	<a href="#">CMP_CR0</a>				CMP1EN				CMP0EN	RW : 00

The Comparator Control Register 0 (CMP\_CR0) enables and configures the input range of the comparators.

**Bit 4: CMP1EN.** This bit enables comparator 1.

**Bit 0: CMP0EN.** This bit enables comparator 0.

For additional information, refer to the [CMP\\_CR0 register on page 207](#).

### 13.2.4 CMP\_CR1 Register

Address	Name	Bit 7	Bit 6	Bit 5	Bit 4	Bit 3	Bit 2	Bit 1	Bit 0	Access
0,7Bh	<a href="#">CMP_CR1</a>	CINT1	CPIN1	CRST1	CDS1	CINT0	CPIN0	CRST0	CDS0	RW : 00

The Comparator Control Register 1 (CMP\_CR1) configures the comparator output options.

**Bit 7: CINT1.** This bit connects the comparator 1 output to the analog output.

**Bit 6: CPIN1.** This bit selects whether the comparator 1 LUT output or the latched output is routed to a GPIO pin.

**Bit 5: CRST1.** This bit selects whether the comparator 1 latch is reset upon a register write or by a rising edge from the comparator 0 LUT output.

**Bit 4: CDS1.** This bit selects between the comparator 1 LUT and the latched output for the main comparator output that drives to the capacitive sense and interrupt logic.

**Bit 3: CINT0.** This bit connects the comparator 0 output to the analog output.

**Bit 2: CPIN0.** This bit selects whether the comparator 0 LUT output or the latched output is routed to a GPIO pin.

**Bit 1: CRST0.** This bit selects whether the comparator 0 latch is reset upon a register write or by a rising edge from the comparator 1 LUT output.

**Bit 0: CDS0.** This bit selects between the comparator 0 LUT and the latched output for the main comparator output that drives to the capacitive sense and interrupt logic.

For additional information, refer to the [CMP\\_CR1 register on page 208](#).

### 13.2.5 CMP\_LUT Register

Address	Name	Bit 7	Bit 6	Bit 5	Bit 4	Bit 3	Bit 2	Bit 1	Bit 0	Access
0,7Ch	<a href="#">CMP_LUT</a>	LUT1[3:0]				LUT0[3:0]				RW : 00

The Comparator LUT Control Register (CMP\_LUT) selects the logic function.

**Bits 7 to 4: LUT1[3:0].** These bits control the selection of the LUT 1 logic functions that may be selected for the comparator channel 1.

**Bits 3 to 0: LUT0[3:0].** These bits control the selection of LUT 0 logic functions that may be selected for the comparator channel 0. The selections are shown in the following table:

LUTx[3:0]	0h: 0000: FALSE 1h: 0001: A .AND. B 2h: 0010: A .AND. B 3h: 0011: A 4h: 0100: A .AND. B 5h: 0101: B 6h: 0110: A .XOR. B 7h: 0111: A .OR. B 8h: 1000: A .NOR. B 9h: 1001: A .XNOR. B Ah: 1010: B Bh: 1011: A .OR. B Ch: 1100: A Dh: 1101: A .OR. B Eh: 1110: A .NAND. B Fh: 1111: TRUE
-----------	--

For additional information, refer to the [CMP\\_LUT register on page 210](#).



# Section D: System Resources

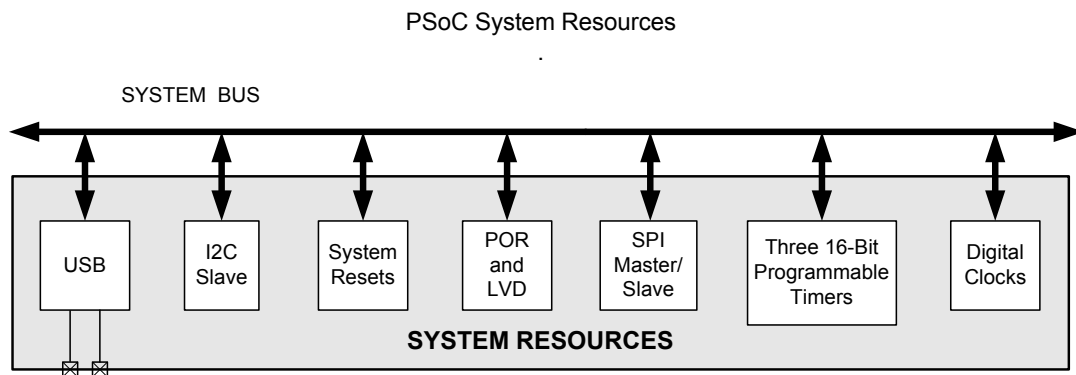


The System Resources section discusses the system resources that are available for the PSoC devices and the registers associated with those resources. This section encompasses the following chapters:

- [Digital Clocks on page 109.](#)
- [I2C Slave on page 117.](#)
- [System Resets on page 135.](#)
- [POR and LVD on page 143.](#)
- [SPI on page 145.](#)
- [Programmable Timer on page 161.](#)
- [Full-Speed USB on page 165.](#)

## Top-Level System Resources Architecture

The figure below displays the top-level architecture of the PSoC system resources. Each component of the figure is discussed at length in the chapters that follow.



## System Resources Register Summary

The table below lists all the registers for the system resources, in address order, within their system resource configuration. The bits that are grayed out are reserved bits. If you write these bits, always write them with a value of '0'.

Summary Table of the System Resource Registers

Address	Name	Bit 7	Bit 6	Bit 5	Bit 4	Bit 3	Bit 2	Bit 1	Bit 0	Access	
<b>DIGITAL CLOCK REGISTERS (page 112)</b>											
1,BDh	USB_MISC_CR						USB_SE_EN	USB_ON	USB_CLK_ON	RW : 0	
1,D1h	OUT_P0	P0P7D	P0P7EN	P0P4D	P0P4EN					RW : 00	
1,DDh	OUT_P1	P16D	P16EN	P14D	P14EN	P12D	P12EN	P10D	P10EN	RW : 00	
1,E0h	OSC_CR0	X32ON	Disable Buzz	No Buzz	Sleep[1:0]		CPU Speed[2:0]			RW : 01	
1,E2h	OSC_CR2				CLK48MEN		EXT-CLKEN	IMODIS		RW : 0	
<b>I2C SLAVE REGISTERS (page 122)</b>											
0,C8h	I2C_XCFG					No BC Int		Buffer Mode	HW Addr En	RW : 0	
0,C9h	I2C_XSTAT							Dir	Slave Busy	R : 0	
0,CAh	I2C_ADDR		Slave Address[6:0]								RW : 00
0,CBh	I2C_BP		I2C Base Pointer[4:0]								R : 00
0,CCh	I2C_CP		I2C Current Pointer4:0]								R : 00
0,CDh	CPU_BP		CPU Base Pointer4:0]								RW: 00
0,CEh	CPU_CP		CPU Current Pointer4:0]								R : 00
0,CFh	I2C_BUF		Data Buffer[7:0]								RW : 00
0,D6h	I2C_CFG		PSelect		Stop IE	Clock Rate[1:0]			Enable	RW : 00	
0,D7h	I2C_SCR	Bus Error		Stop Status	ACK	Address	Transmit	LRB	Byte Complete	# : 00	
0,D8h	I2C_DR		Data[7:0]								RW : 00
<b>SYSTEM RESET REGISTERS (page 137)</b>											
x,FEh	CPU_SCR1	IRESS			SLIMO[1:0]				IRAMDIS	# : 0	
x,FFh	CPU_SCR0	GIES		WDRS	PORS	Sleep			STOP	# : XX	
<b>POR REGISTERS (page 143)</b>											
1,E3h	VLT_CR		PORLEV[1:0]		LVDTBEN	VM[2:0]				RW : 00	
1,E4h	VLT_CMP				NoWrite		POR_EXT	LVD		R : #	
<b>SPI REGISTERS (page 147)</b>											
0,29h	SPI_TXR		Data[7:0]								W : 00
0,2Ah	SPI_RXR		Data[7:0]								R : 00
0,2Bh	SPI_CR	LSb First	Overrun	SPI Complete	TX Reg Empty	RX Reg Full	Clock Phase	Clock Polarity	Enable	# : 00	
1,29h	SPI_CFG	Clock Sel [2:0]			Bypass	SS_	SS_EN_	Int Sel	Slave	RW : 00	
<b>PROGRAMMABLE TIMER REGISTERS (page 163)</b>											
0,B0h	PT0_CFG					CLKSEL	One Shot	START		RW : 0	
0,B1h	PT0_DATA1	DATA[7:0]								RW : 00	
0,B2h	PT0_DATA0	DATA[7:0]								RW : 00	
0,B3h	PT1_CFG					CLKSEL	One Shot	START		RW : 0	
0,B4h	PT1_DATA1	DATA[7:0]								RW : 00	
0,B5h	PT1_DATA0	DATA[7:0]								RW : 00	
0,B6h	PT2_CFG					CLKSEL	One Shot	START		RW : 0	
0,B7h	PT2_DATA1	DATA[7:0]								RW : 00	
0,B8h	PT2_DATA0	DATA[7:0]								RW : 00	
<b>USB REGISTERS (page 171)</b>											
0,58h	PMAx_DR	Data Byte[7:0]								RW : 00	

Summary Table of the System Resource Registers (continued)

Address	Name	Bit 7	Bit 6	Bit 5	Bit 4	Bit 3	Bit 2	Bit 1	Bit 0	Access	
0,59h	PMAx_DR	Data Byte[7:0]									RW : 00
0,5Ah	PMAx_DR	Data Byte[7:0]									RW : 00
0,5Bh	PMAx_DR	Data Byte[7:0]									RW : 00
0,5Ch	PMAx_DR	Data Byte[7:0]									RW : 00
0,5Dh	PMAx_DR	Data Byte[7:0]									RW : 00
0,5Eh	PMAx_DR	Data Byte[7:0]									RW : 00
0,5Fh	PMAx_DR	Data Byte[7:0]									RW : 00
0,64h	PMAx_DR	Data Byte[7:0]									RW : 00
0,65h	PMAx_DR	Data Byte[7:0]									RW : 00
0,66h	PMAx_DR	Data Byte[7:0]									RW : 00
0,67h	PMAx_DR	Data Byte[7:0]									RW : 00
0,68h	PMAx_DR	Data Byte[7:0]									RW : 00
0,69h	PMAx_DR	Data Byte[7:0]									RW : 00
0,6Ah	PMAx_DR	Data Byte[7:0]									RW : 00
0,6Bh	PMAx_DR	Data Byte[7:0]									RW : 00
0,31h	USB_SOF0	Frame Number[7:0]									R : 00
0,32h	USB_SOF1						Frame Number[10:8]				R : 0
0,33h	USB_CR0	USB Enable	Device Address[6:0]								RW : 00
0,34h	USBIO_CR0	TEN	TSE0	TD					RD	# : 0	
0,35h	USBIO_CR1	IOMode	Drive Mode	DPI	DMI	PS2PUEN	USB-PUEN	DPO	DMO	RW : 00	
0,41h	EPx_CNT1	Data Count[7:0]									RW : 00
0,43h	EPx_CNT1	Data Count[7:0]									RW : 00
0,45h	EPx_CNT1	Data Count[7:0]									RW : 00
0,47h	EPx_CNT1	Data Count[7:0]									RW : 00
0,49h	EPx_CNT1	Data Count[7:0]									RW : 00
0,4Bh	EPx_CNT1	Data Count[7:0]									RW : 00
0,4Dh	EPx_CNT1	Data Count[7:0]									RW : 00
0,4Fh	EPx_CNT1	Data Count[7:0]									RW : 00
0,31h	USB_SOF0	Frame Number[7:0]									R : 00
0,32h	USB_SOF1						Frame Number[10:8]				R : 0
0,33h	USB_CR0	USB Enable	Device Address[6:0]								RW : 00
0,34h	USBIO_CR0	TEN	TSE0	TD					RD	# : 00	
0,35h	USBIO_CR1	IOMode	Drive Mode	DPI	DMI	PSPUEN	USB-PUEN	DPO	DMO	RW : 00	
0,36h	EP0_CR	Setup Received	IN Received	OUT Received	ACK'd Transaction	Mode[3:0]				RW : 00	
0,37h	EP0_CNT	Data Toggle	Data Valid				Byte Count[3:0]				# : 00
0,38h	EP0_DRx	Data Byte[7:0]									RW : 00
0,39h	EP0_DRx	Data Byte[7:0]									RW : 00
0,3Ah	EP0_DRx	Data Byte[7:0]									RW : 00
0,3Bh	EP0_DRx	Data Byte[7:0]									RW : 00
0,3Ch	EP0_DRx	Data Byte[7:0]									RW : 00
0,3Dh	EP0_DRx	Data Byte[7:0]									RW : 00
0,3Eh	EP0_DRx	Data Byte[7:0]									RW : 00
0,3Fh	EP0_DRx	Data Byte[7:0]									RW : 00
0,40h	EPx_CNT0	Data Toggle	Data Valid					Count MSB		# : 0	
0,42h	EPx_CNT0	Data Toggle	Data Valid					Count MSB		# : 0	
0,44h	EPx_CNT0	Data Toggle	Data Valid					Count MSB		# : 0	

Summary Table of the System Resource Registers (*continued*)

Address	Name	Bit 7	Bit 6	Bit 5	Bit 4	Bit 3	Bit 2	Bit 1	Bit 0	Access
0,46h	EPx_CNT0	Data Toggle	Data Valid						Count MSB	# : 0
0,48h	EPx_CNT0	Data Toggle	Data Valid						Count MSB	# : 0
0,4Ah	EPx_CNT0	Data Toggle	Data Valid						Count MSB	# : 0
0,4Ch	EPx_CNT0	Data Toggle	Data Valid						Count MSB	# : 0
0,4Eh	EPx_CNT0	Data Toggle	Data Valid						Count MSB	# : 0
1,30h	USB_CR1						BusActiv-ity	Enable-Lock	RegEnable	RW : 0
1,34h	PMAx_WA				Write Address[7:0]					RW : 00
1,35h	PMAx_WA				Write Address[7:0]					RW : 00
1,36h	PMAx_WA				Write Address[7:0]					RW : 00
1,37h	PMAx_WA				Write Address[7:0]					RW : 00
1,38h	PMAx_WA				Write Address[7:0]					RW : 00
1,39h	PMAx_WA				Write Address[7:0]					RW : 00
1,3Ah	PMAx_WA				Write Address[7:0]					RW : 00
1,3Bh	PMAx_WA				Write Address[7:0]					RW : 00
1,44h	PMAx_WA				Write Address[7:0]					RW : 00
1,45h	PMAx_WA				Write Address[7:0]					RW : 00
1,46h	PMAx_WA				Write Address[7:0]					RW : 00
1,47h	PMAx_WA				Write Address[7:0]					RW : 00
1,48h	PMAx_WA				Write Address[7:0]					RW : 00
1,49h	PMAx_WA				Write Address[7:0]					RW : 00
1,4Ah	PMAx_WA				Write Address[7:0]					RW : 00
1,4Bh	PMAx_WA				Write Address[7:0]					RW : 00
1,3Ch	PMAx_RA				Read Address[7:0]					RW : 00
1,3Dh	PMAx_RA				Read Address[7:0]					RW : 00
1,3Eh	PMAx_RA				Read Address[7:0]					RW : 00
1,3Fh	PMAx_RA				Read Address[7:0]					RW : 00
1,40h	PMAx_RA				Read Address[7:0]					RW : 00
1,41h	PMAx_RA				Read Address[7:0]					RW : 00
1,42h	PMAx_RA				Read Address[7:0]					RW : 00
1,43h	PMAx_RA				Read Address[7:0]					RW : 00
1,4Ch	PMAx_RA				Read Address[7:0]					RW : 00
1,4Dh	PMAx_RA				Read Address[7:0]					RW : 00
1,4Eh	PMAx_RA				Read Address[7:0]					RW : 00
1,4Fh	PMAx_RA				Read Address[7:0]					RW : 00
1,50h	PMAx_RA				Read Address[7:0]					RW : 00
1,51h	PMAx_RA				Read Address[7:0]					RW : 00
1,52h	PMAx_RA				Read Address[7:0]					RW : 00
1,53h	PMAx_RA				Read Address[7:0]					RW : 00
1,54h	EPx_CR0	Stall		NAK_INT_EN	ACKed Tx		Mode[3:0]			# : 00
1,55h	EPx_CR0	Stall		NAK_INT_EN	ACKed Tx		Mode[3:0]			# : 00
1,56h	EPx_CR0	Stall		NAK_INT_EN	ACKed Tx		Mode[3:0]			# : 00
1,57h	EPx_CR0	Stall		NAK_INT_EN	ACKed Tx		Mode[3:0]			# : 00
1,58h	EPx_CR0	Stall		NAK_INT_EN	ACKed Tx		Mode[3:0]			# : 00
1,59h	EPx_CR0	Stall		NAK_INT_EN	ACKed Tx		Mode[3:0]			# : 00
1,5Ah	EPx_CR0	Stall		NAK_INT_EN	ACKed Tx		Mode[3:0]			# : 00
1,5Bh	EPx_CR0	Stall		NAK_INT_EN	ACKed Tx		Mode[3:0]			# : 00

# 14. Digital Clocks



This chapter discusses the Digital Clocks and their associated registers. It serves as an overview of the clocking options available in the PSoC devices. For detailed information on specific oscillators, see the individual oscillator chapters in the section called [PSoC Core on page 23](#). For a complete table of the digital clock registers, refer to the [System Resources Register Summary on page 106](#). For a quick reference of all PSoC registers in address order, refer to the [Register Reference chapter on page 187](#).

## 14.1 Architectural Description

The PSoC M8C core has a large number of clock sources that increase the flexibility of the PSoC device, as listed in [Table 14-1](#) and illustrated in [Figure 14-1](#).

Table 14-1. System Clocking Signals and Definitions

Signal	Definition
SYSCLK	Either the direct output of the Internal Main Oscillator or the direct input of the EXTCLK pin while in external clocking mode.
CPUCLK	SYSCLK is divided down to one of eight possible frequencies to create CPUCLK, which determines the speed of the M8C. See the <a href="#">OSC_CR0 Register</a> in the Register Definitions section of this chapter.
CLK32K	The Internal Low Speed Oscillators output. See the <a href="#">OSC_CR0 Register</a> in the Register Definitions section of this chapter.
CLKIMO	The internally generated clock from the IMO. By default, this clock drives SYSCLK; however, an external clock may be used by enabling EXTCLK mode. The IMO can be set to various frequencies; the default is 12 MHz.
SLEEP	One of four sleep intervals may be selected from 1.95 ms to 1 second. See the <a href="#">OSC_CR0 Register</a> in the Register Definitions section of this chapter.

### 14.1.1 Internal Main Oscillator

The Internal Main Oscillator (IMO) is the foundation upon which almost all other clock sources in the PSoC device are based. The default mode of the IMO creates a 12 MHz reference clock that is used by many other circuits in the device. The PSoC device has an option to replace the IMO with an externally supplied clock that becomes the base for all of the clocks the IMO normally serves. The internal base clock net is called SYSCLK and is driven by either the IMO or an external clock (EXTCLK).

Whether the external clock or the internal main oscillator is selected, all device functions are clocked from a derivative of SYSCLK or are resynchronized to SYSCLK. All external asynchronous signals and the internal low speed oscillator are resynchronized to SYSCLK for use in the digital blocks.

The IMO frequency can be adjusted to other frequencies besides 12 MHz. See the [Architectural Description on page 63](#), in the Internal Main Oscillator chapter, for more information.

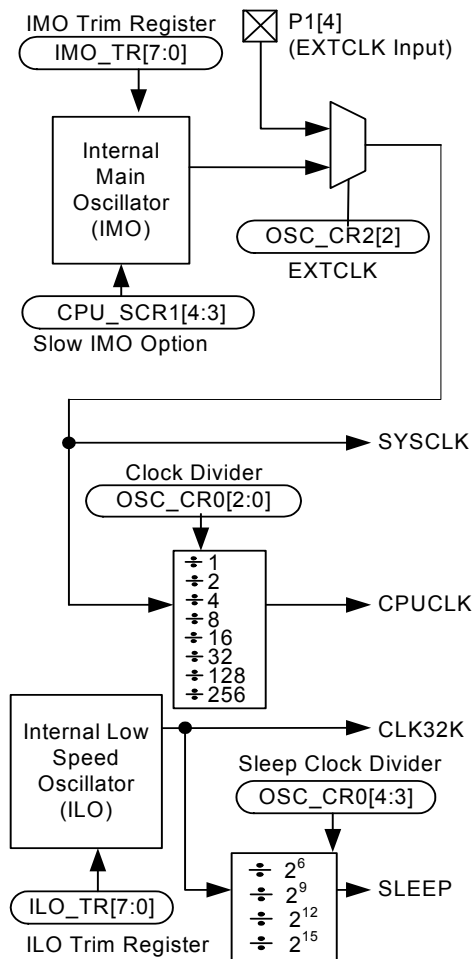
The IMO is discussed in detail in the chapter [Internal Main Oscillator \(IMO\) on page 63](#).

## 14.1.2 Internal Low Speed Oscillator

The Internal Low Speed Oscillator (ILO) is available as a general clock, but is also the clock source for the sleep and watchdog timers. The ILO can be disabled in deep sleep mode, or in other sleep modes when the External Crystal Oscillator (ECO) is enabled.

The ILO is discussed in detail in the chapter [Internal Low Speed Oscillator \(ILO\) on page 67](#).

Figure 14-1. Overview of PSoC Clock Sources



## 14.1.3 External Clock

In addition to the IMO clock source, an externally supplied clock may be selected as the device master clock (see [Figure 14-1](#)).

Pin P1[4] is the input pin for the external clock. If P1[4] is selected as the external clock source, the drive mode of the pin must be set to High Z (not High Z Analog).

An external clock with a frequency between 1 MHz and 24 MHz can be supplied. The reset state of the EXTCLKEN bit is '0'. With this setting the device always boots up under the control of the IMO. The system cannot be started from a reset with the external clock.

When the EXTCLKEN bit is set, the external clock becomes the source for the internal clock tree, SYSCLK, which drives most PSoC device clocking functions. All external and internal signals, including the ILO or ECO low frequency clock, are synchronized to this clock source.

### 14.1.3.1 Switch Operation

Switching between the IMO and the external clock is done in firmware at any time and is transparent to the user.

When a switch is made from the IMO to the external clock, turn off the IMO to save power. You do this by setting the IMODIS bit immediately after the instruction that sets the EXTCLKEN bit. When switching back from an external clock to the IMO, clear the IMODIS bit and implement a firmware delay. This gives the IMO sufficient startup time before the EXTCLKEN bit is cleared.

Switch timing depends upon whether the CPU clock divider is set for divide by 1, or divide by 2 or greater. In the case where the CPU clock divider is set for divide by 2 or greater, as shown in [Figure 14-2](#), the setting of the EXTCLKEN bit occurs shortly after the rising edge of SYSCLK. The SYSCLK output is then disabled after the next falling edge of SYSCLK, but before the next rising edge. This ensures a glitch free transition and provides a full cycle of setup time from SYSCLK to output disable. After the current clock selection is disabled, the enable of the newly selected clock is double synchronized to that clock. After synchronization, on the subsequent negative edge, SYSCLK is enabled to output the newly selected clock.

In the 12 MHz case, as shown in [Figure 14-3](#), the assertion of IOW\_ and thus the setting of the EXTCLKEN bit occurs on the falling edge of SYSCLK. Since SYSCLK is already low, the output is immediately disabled. Therefore, the setup time from SYSCLK to disable is one-half SYSCLK.

Figure 14-2. Switch from IMO to the External Clock with a CPU Clock Divider of Two or Greater

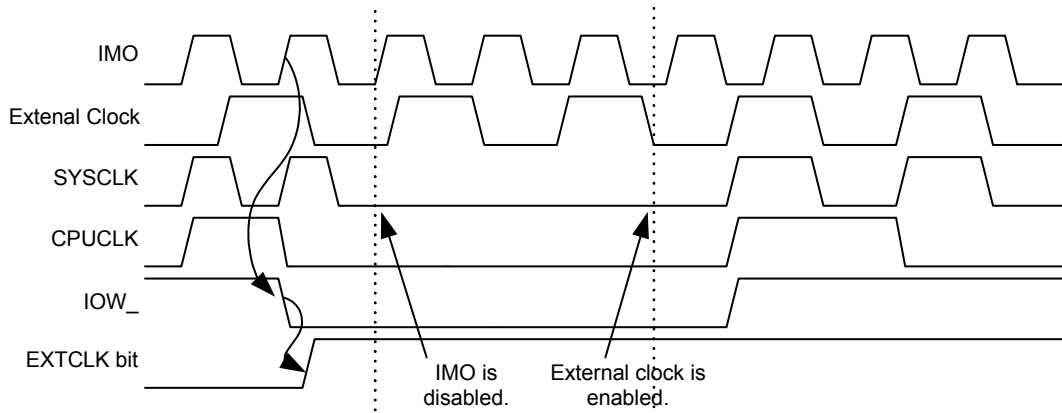
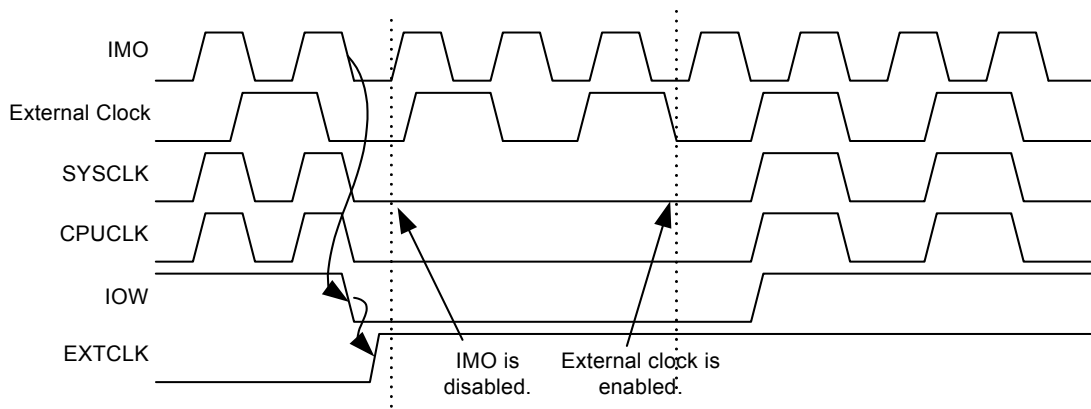


Figure 14-3. Switch from IMO to External Clock with the CPU Running with a CPU Clock Divider of One



## 14.2 Register Definitions

The following registers are associated with the Digital Clocks and are listed in address order. Each register description has an associated register table showing the bit structure for that register. The bits in the tables that are grayed out throughout this manual are reserved bits and are not detailed in the register descriptions that follow. Always write reserved bits with a value of '0'. For a complete table of digital clock registers, refer to the [“System Resources Register Summary”](#) on page 106.

### 14.2.1 USB\_MISC\_CR Register

Address	Name	Bit 7	Bit 6	Bit 5	Bit 4	Bit 3	Bit 2	Bit 1	Bit 0	Access
1, BDh	<a href="#">USB_MISC_CR</a>						USB_SE_EN	USB_ON	USB_CLK_ON	RW : 0

The USB Miscellaneous Control Register controls the clocks to the USB block, to make the IMO work with better accuracy for the USB part and to disable the single ended input of the USBIO in the case of a non-USB part.

**Bit 2: USB\_SE\_EN.** The single ended outputs of USBIO is enabled or disabled based upon this bit setting. Set this bit to '1' when using this part as a USB part for USB transactions to occur. Set this bit to '0' to disable single ended outputs of USBIO. The DPO, DMO are held at logic high state and RSE0 is held at a low state.

**Note** Bit [1:0] of the USBIO\_CR1 register is also affected depending on this register setting. When this bit is '0' (default), regardless of the DP and DM state, the DPO and DMO bits of USBIO\_CR1 are '11b'.

**Bit 1: USB\_ON.** This bit is used by the IMO DAC block to either work with better DNL consuming higher power, or with sacrificed DNL consuming lower power. Set this bit to '1' when the part is used as a USB part. A '0' runs the IMO with sacrificed DNL by consuming less power. A '1' runs the IMO with better DNL by consuming more power.

**Bit 0: USB\_CLK\_ON.** This bit either enables or disables the clocks to the USB block. It is used to save power in cases when the device need not respond to USB traffic. Set this bit to '1' when the device is used as a USB part.

When this bit is a '0', all clocks to the USB block are driven. The device does not respond to USB traffic and none of the USB registers, except IMO\_TR, IMO\_TR1 and USBIO\_CR1, listed in the [Register Definitions on page 171](#) are writable.

When this bit is a '1', clocks are not blocked to the USB block. The device responds to USB traffic depending on the other register settings mentioned under [Register Definitions](#) in the [Full-Speed USB chapter on page 165](#).

For additional information, refer to the [USB\\_MISC\\_CR register on page 267](#).



## 14.2.2 OUT\_P0 Register

Address	Name	Bit 7	Bit 6	Bit 5	Bit 4	Bit 3	Bit 2	Bit 1	Bit 0	Access
1,D1h	OUT_P0	P0P7D	P0P7EN	P0P4D	P0P4EN					RW : 00

This register enables specific internal signals to be output to Port 0 pins. The GPIO drive modes must be specified to support the desired output mode (registers PRT0DM1 and PRT0DM0). If a pin is enabled for output by a bit in this register, the corresponding signal has priority over any other internal function that may be configured to output to that pin.

**Bit 7: P0P7D.** '0' selects main system clock (SYSCLK). '1' selects TrueTouch signal depending on PRS\_CR and CS\_CR0 register settings.

**Bit 6: P0P7EN.** This bit enables pin P0[7] for output of the signal selected by P0P7D. '0' is no internal signal output to P0[7]. '1' outputs the signal selected by P0P7D onto P0[7].

**Bit 5: P0P4D.** '0' selects Timer Output (TIMEROUT). '1' selects CLK32.

**Note:** During sleep mode these outputs will not be passed through to P0[4].

**Bit 4: P0P4EN.** This bit enables pin P0[4] for output of the signal selected by P0P4D. '0' is no internal signal output to P0[4]. '1' outputs the signal selected by P0P4D onto P0[4].

## 14.2.3 OUT\_P1 Register

Address	Name	Bit 7	Bit 6	Bit 5	Bit 4	Bit 3	Bit 2	Bit 1	Bit 0	Access
1,DDh	OUT_P1	P16D	P16EN	P14D	P14EN	P12D	P12EN	P10D	P10EN	RW : 00

The Output Override to Port 1 Register (OUT\_P1) enables specific internal signals to output to Port 1 pins. If any other function, such as I2C, is enabled for output on these pins, that function has higher priority than the OUT\_P1 signals.

**Bit 7: P16D.** Bit selects the data output to P1[6] when P16EN is high. In CY8CTMG20x and CY8CTST200 Timer Output and CLK32 are available on P0[4] as well, but outputs on P0[4] will not be passed through during sleep modes. Please refer to the OUT\_P0 register for more details.

0 - Select Timer output (TIMEROUT)

1 - Select CLK32

**Bit 6: P16EN.** This bit enables pin P1[6] for signal output selected by the P16D bit.

0 - No internal signal output to P1[6]

1 - Output the signal selected by P16D to P1[6]

**Bit 5: P14D.** This bit selects the data output to P1[4] when P14EN is high and P14DB is low.

**Bit 4: P14EN.** This bit enables pin P1[4] for output of the signal selected by the P14D bit.

**Bit 3: P12D.** This bit selects data output to P1[2] when P12EN is high. TrueTouch signals are available on P0[7] as well. Please refer OUT\_P0 register for more details.

**Bit 2: P12EN.** This bit enables pin P1[2] for output of the signal selected by the P12D bit.

**Bit 1: P10D.** This bit selects data output to P1[0] when P10EN is high.

**Bit 0: P10EN.** Bit enables pin P1[0] for output of the signal selected by the P10D bit.

0 - No internal signal output to P1[0]

1 - Output the signal selected by P10D to P1[0]

For additional information, refer to the [OUT\\_P1 register on page 273](#).

## 14.2.4 OSC\_CR0 Register

Address	Name	Bit 7	Bit 6	Bit 5	Bit 4	Bit 3	Bit 2	Bit 1	Bit 0	Access
1,E0h	OSC_CR0	X32ON	Disable Buzz	No Buzz	Sleep[1:0]		CPU Speed[2:0]			RW : 01

The Oscillator Control Register 0 (OSC\_CR0) configures various features of internal clock sources and clock nets.

**Bit 7: X32ON.** This bit enables the 32 kHz external crystal oscillator (ECO) when set high. See the [Application Over-](#)

[view on page 70](#) for the proper sequence to enable the ECO.

**Bit 6: Disable Buzz.** Setting this bit high causes the bandgap and POR/LVD systems to remain powered off continuously during sleep. In this case, there is no periodic “buzz” (brief wakeup) of these functions during sleep. This bit has no effect when the No Buzz bit is set high.

**Bit 5: No Buzz.** Normally, when the SLEEP bit is set in the CPU\_SCR register, all PSoCdevice systems are powered down, including the bandgap reference. However, to facilitate the detection of POR and LVD events at a rate higher than the sleep interval, the bandgap circuit is powered up periodically (for about 60  $\mu$ s) at the Sleep System Duty Cycle, which is independent of the sleep interval and typically higher. When the No Buzz bit is set, the Sleep System Duty Cycle value is overwritten and the bandgap circuit is forced to be on during sleep. This results in faster response to an LVD or POR event (continuous detection as opposed to periodic), at the expense of higher average sleep current.

**Bits 4 and 3: Sleep[1:0].** The available sleep interval selections are shown in the table below. Sleep intervals are approximate based upon the accuracy of the internal low speed oscillator.

Sleep Interval OSC_CR[4:3]	Sleep Timer Clocks	Sleep Period (Nominal)	Watchdog Period (Nominal)
00b (Default)	64	1.95 ms	6 ms
01b	512	15.6 ms	47 ms
10b	4096	125 ms	375 ms
11b	32,768	1 sec	3 sec

**Bits 2 to 0: CPU Speed[2:0].** The M8C operates over a range of CPU clock speeds, allowing you to tailor the M8C’s performance and power requirements to the application.

The reset value for the CPU speed bits is 010b. Therefore, the default CPU speed is one-half of the clock source. The internal main oscillator is the default clock source for the CPU speed circuit; therefore, the default CPU speed is 6.0 MHz. See [External Clock on page 110](#) for more information on the supported frequencies for externally supplied clocks.

The CPU frequency is changed with a write to the OSC\_CR0 register. There are eight frequencies generated from a power-of-two divide circuit that is selected by a 3-bit code. At any given time, the CPU 8-to-1 clock mux is selecting one of the available frequencies, which is resynchronized to the 24 MHz master clock at the output. The IMO frequency is also selectable, as discussed in the IMO chapter in the [Architectural Description on page 63](#). This offers an option to lower both system and CPU clock speed to

save power. The selections are shown in the table below (reset state is 001b).

Bits	6 MHz Internal Main Oscillator	12 MHz Internal Main Oscillator	24 MHz Internal Main Oscillator	External Clock
000b	750 kHz	1.5 MHz	3 MHz	EXTCLK/ 8
001b	1.5 MHz	3.0 MHz	6 MHz	EXTCLK/ 4
010b	3 MHz	6.0 MHz	12 MHz	EXTCLK/ 2
011b	6 MHz	12.0 MHz	24 MHz	EXTCLK/ 1
100b	375 kHz	750 Hz	1.5 MHz	EXTCLK/ 16
101b	187.5 kHz	375 kHz	750 kHz	EXTCLK/ 32
110b	46.8 kHz	93.7 kHz	187.5 kHz	EXTCLK/ 128
111b	23.4 kHz	46.8 kHz	93.7 kHz	EXTCLK/ 256

An automatic protection mechanism is available for systems that need to run at peak CPU clock speed but cannot guarantee a high enough supply voltage for that clock speed. See the LVDTBEN bit in the [VLT\\_CMP Register on page 144](#) for more information.

**Note** During USB operation, the CPU speed can be set to any setting. Be aware that USB throughput decreases with a decrease in CPU speed. For maximum throughput, the CPU clock should be made equal to the system clock. The system clock must be 24 MHz for USB operation.

For additional information, refer to the [OSC\\_CR0 register on page 276](#).

## 14.2.5 OSC\_CR2 Register

Address	Name	Bit 7	Bit 6	Bit 5	Bit 4	Bit 3	Bit 2	Bit 1	Bit 0	Access
1,E2h	OSC_CR2				CLK48MEN		EXTCLKEN	IMODIS		RW : 00

The Oscillator Control Register 2 (OSC\_CR2) configures various features of internal clock sources and clock nets.

**Bit 4: CLK48MEN.** This is the 48 MHz clock enable bit.

'0' disables the bit and '1' enables the bit. This register setting applies only when the device is **not** in OCD mode. When in OCD mode, the 48 MHz clock is always active.

**Bit 2: EXTCLKEN.** When the EXTCLKEN bit is set, the external clock becomes the source for the internal clock tree, SYSCLK, which drives most device clocking functions. All external and internal signals, including the low speed oscillator, are synchronized to this clock source. The external clock input operates from the clock supplied at P1[4] or P1[1] based on the TSYNC bit in CPU\_SCR1. When using this input, the pin drive mode must be set to High Z (not High

Z Analog), such as drive mode 11b with the PRT1DR bit 4 set high.

**Bit 1: IMODIS.** When set, the Internal Main Oscillator (IMO) is disabled.

For additional information, refer to the [OSC\\_CR2 register on page 278](#).

# 15. I<sup>2</sup>C Slave

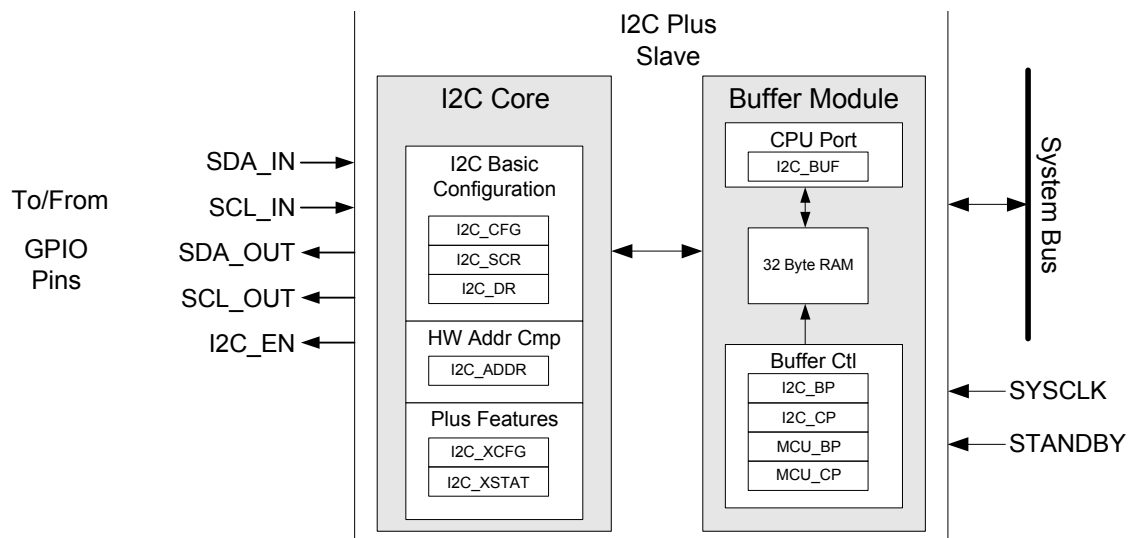


This chapter explains the I<sup>2</sup>C Slave block and its associated registers. The I<sup>2</sup>C communications block is a serial processor designed to implement a complete I<sup>2</sup>C slave. For a complete table of the I<sup>2</sup>C registers, refer to the [Summary Table of the System Resource Registers](#) on page 106. For a quick reference of all PSoC registers in address order, refer to the [Register Reference chapter](#) on page 187.

## 15.1 Architectural Description

The I<sup>2</sup>C slave enhanced communications block is a serial-to-parallel processor, designed to interface the PSoC device to a two-wire I<sup>2</sup>C serial communications bus. To eliminate the need for excessive CPU intervention and overhead, the block provides I<sup>2</sup>C-specific support for status detection and generation of framing bits. By default, the I<sup>2</sup>C Slave Enhanced module is firmware compatible with the previous generation of I<sup>2</sup>C slave functionality. However, this module provides new features that are configurable to implement significant flexibility for both internal and external interfacing.

Figure 15-1. I<sup>2</sup>C Block Diagram



Basic I<sup>2</sup>C features include:

- Slave, transmitter, and receiver operation
- Byte processing for low CPU overhead
- Interrupt or polling CPU interface
- Support for clock rates of up to 400 kHz
- 7- or 10-bit addressing (through firmware support)
- SMBus operation (through firmware support)

Enhanced features of the I<sup>2</sup>C Slave Enhanced module include:

- Support for 7-bit hardware address compare
- Flexible data buffering schemes
- A "no bus stalling" operating mode
- A low power bus monitoring mode

The I<sup>2</sup>C block controls the data (SDA) and the clock (SCL) to the external I<sup>2</sup>C interface through direct connections to two dedicated GPIO pins. When I<sup>2</sup>C is enabled, these GPIO pins are not available for general purpose use. The PSoC CPU firmware interacts with the block through I/O register reads and writes, and firmware synchronization is implemented through polling and/or interrupts.

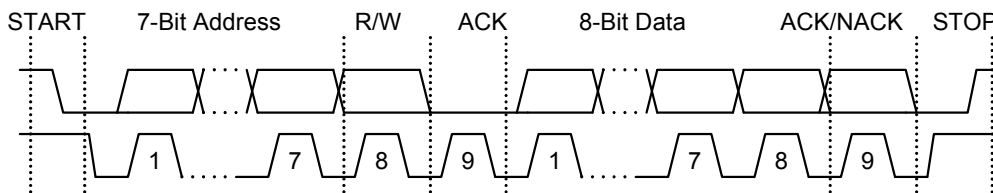
In the default operating mode, which is firmware compatible with previous versions of I<sup>2</sup>C slave modules, the I<sup>2</sup>C bus is stalled upon every received address or byte, and the CPU is required to read the data or supply data as required before the I<sup>2</sup>C bus continues. However, this I<sup>2</sup>C Slave Enhanced module provides new data buffering capability as an enhanced feature. In the EZI2C buffering mode, the I<sup>2</sup>C slave interface appears as a 32-byte RAM buffer to the external I<sup>2</sup>C master. Using a simple predefined protocol, the master controls the read and write pointers into the RAM. When this method is enabled, the slave never stalls the bus. In this protocol, the data available in the RAM (this is managed by the CPU) is valid.

### 15.1.1 Basic I<sup>2</sup>C Data Transfer

Figure 15-2 shows the basic form of data transfers on the I<sup>2</sup>C bus with a 7-bit address format. For a more detailed description, see the Philips Semiconductors (now NXP Semiconductors) I<sup>2</sup>C-Bus Specification, version 2.1.

A Start condition (generated by the master) is followed by a data byte, consisting of a 7-bit slave address (there is also a 10-bit address mode) and a read/write (RW) bit. The RW bit sets the direction of data transfer. The addressed slave is required to acknowledge (ACK) the bus by pulling the data line low during the ninth bit time. If the ACK is received, the transfer proceeds and the master transmits or receives an indeterminate number of bytes, depending upon the RW direction. If, for any reason, the slave does not respond with an ACK, a Stop condition is generated by the master to terminate the transfer or a Restart condition is generated for a retry attempt.

Figure 15-2. Basic I<sup>2</sup>C Data Transfer with 7-Bit Address Format



## 15.2 Application Overview

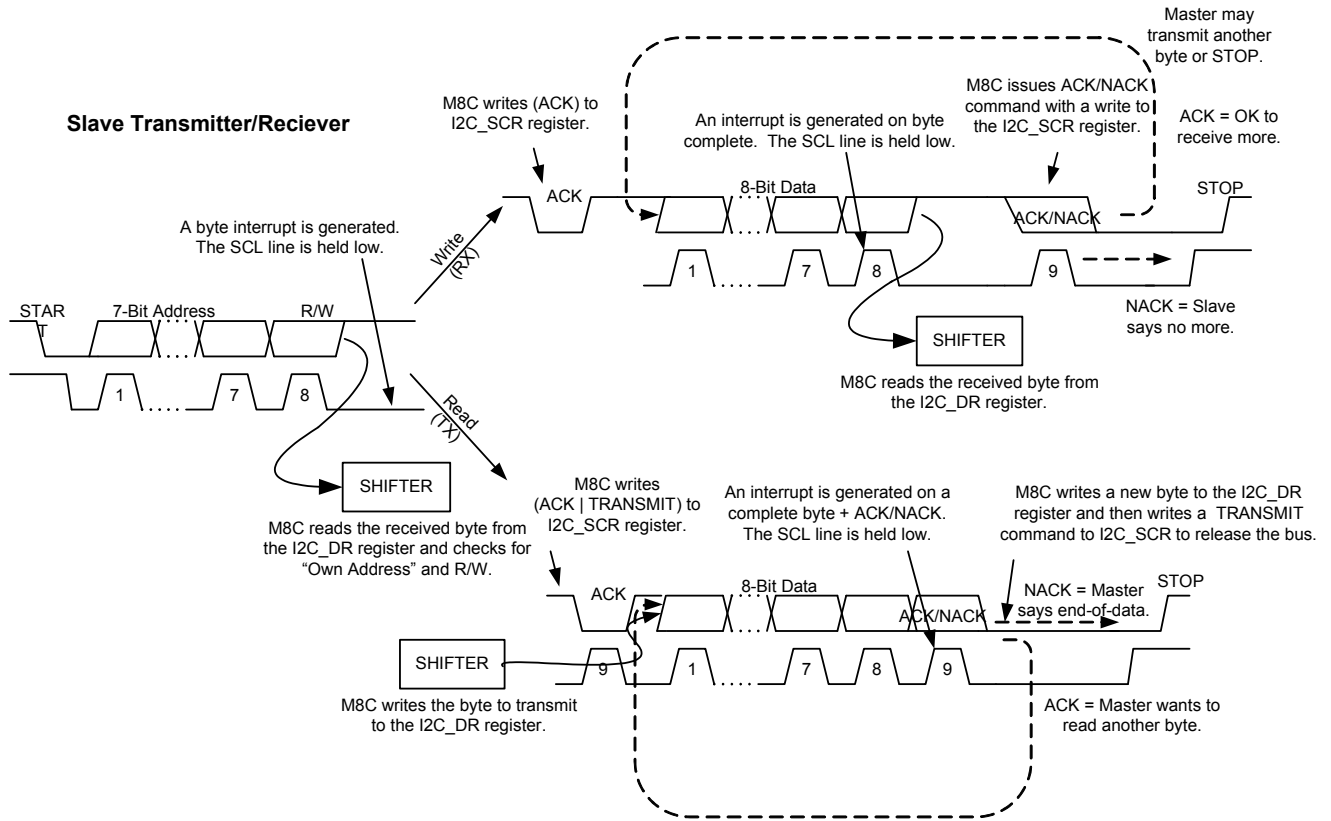
There are two modes of slave operation, which are differentiated by how the I<sup>2</sup>C block synchronizes CPU interaction, how and when stalling of the I<sup>2</sup>C bus is done, and data buffered.

### 15.2.1 Slave Operation

When Slave mode is enabled, it is continually listening on the bus for a Start condition. When detected, the transmitted address/RW byte is received and read from the I<sup>2</sup>C block by firmware. At the point where eight bits of the address/RW byte are received, a byte complete interrupt is generated. On the following low of the clock, the bus is stalled by holding the SCL line low until the PSoC device has had a chance to read the address byte and compare it to its own address. It issues an ACK or NACK command based upon that comparison.

If there is an address match, the RW bit determines how the PSoC device sequences the data transfer in Slave mode, as shown in the two branches of Figure 15-3. I<sup>2</sup>C handshaking methodology (slave holds the SCL line low to “stall” the bus) is used, as necessary, to give the PSoC device time to respond to the events and conditions on the bus. Figure 15-3 is a graphical representation of a typical data transfer from the slave perspective.

Figure 15-3. Slave Operation



### 15.2.2 EZI2C Mode

When EZI2C mode is configured with the Buffer Mode bit of the I2C\_XCFG register, both the master and slave must use a predefined communication protocol. In this protocol, the I<sup>2</sup>C slave operates as a RAM buffer interface, in which the external master controls the read and write addresses to the 32-byte RAM buffer. The external master reads and writes to the RAM buffer are independent of the CPU reads and writes to the RAM buffer, so conceptually, it appears as a dual port RAM buffer. Higher level protocols, such as polling or semaphore methods, are used to ensure data synchronization and integrity. Conceptually, data is always available in this mode so the bus never stalls except in I<sup>2</sup>C sleep mode.

The RAM buffer interfaces contain separate address pointers, I2C\_BP and I2C\_CP, that are set with the first data byte of a write operation. When the external master writes one or more bytes, the first data byte is always the base address pointer value. This value gets written to both the base address pointer, I2C\_BP, and the current address pointer, I2C\_CP. The byte after the base address pointer is written into the location pointed to by the current address pointer value contained in I2C\_CP.

The third byte (second data byte) is written to the current address pointer value, I2C\_CP, plus one and so on. This current address pointer, I2C\_CP, increments for each byte read or written, but is reset to the base address pointer value at the beginning of each new write or read operation (following a start command).

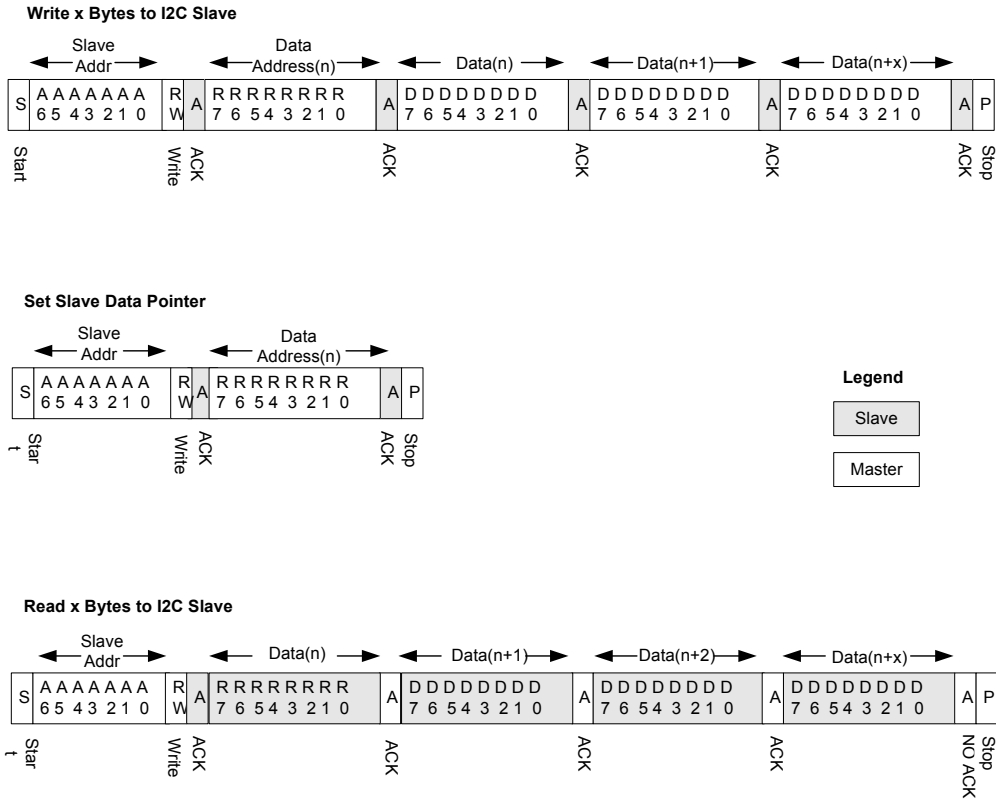
For example, if the base address pointer, I2C\_BP, is set to 4, a read operation begins to read data at location 4 and continues sequentially until the host completes the read operation. So, if the base address pointer is set to 4, each read operation resets the data pointer to 4 and reads sequentially from that location. This is true whether single or multiple read operations are performed. The base address pointer is not changed until a new write operation initiates.

If the I<sup>2</sup>C master attempts to write data past the RAM address boundary, 32 bytes, the data is discarded and does not affect any RAM inside or outside the designated RAM area. You cannot read data outside the allowed range. Any read requests by the master outside the allowed range result in the return of invalid data. If the RAM address is sent

by the external master through a write command and if the pointer value exceeds 1Fh, a NACK is sent.

The following diagram illustrates the bus communication for a data write, a data pointer write, and a data read operation. Remember that a data write operation always rewrites the data pointer.

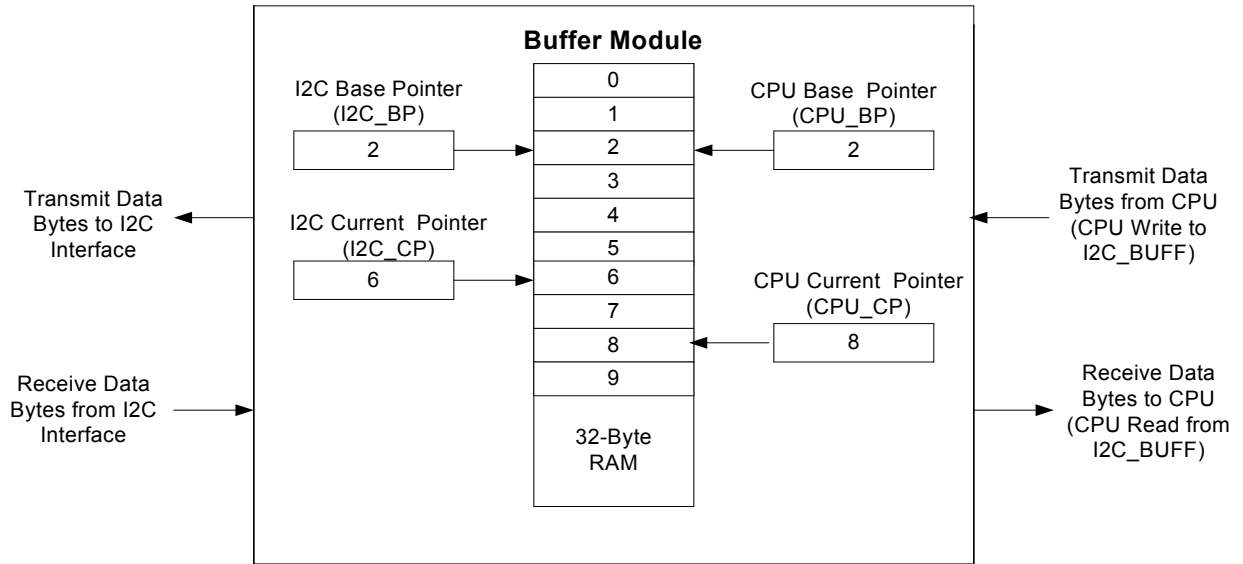
Figure 15-4. Two-Wire Interface Bus Communication





The following diagram illustrates an example of how the address pointers are configured in EZI2C mode. In this example, the external master sent a Start, Slave Address, and a data byte of 2 to initialize both the base address pointer (I2C\_BP register) and the current address pointer (I2C\_CP register). Then, 4 bytes were written, OR a Start or Restart was sent with the device address, and 4 bytes were read. On the CPU side, a 2 was written to the CPU base address register (CPU\_BP register), and 6 subsequent bytes were read from or written to the I2C\_BUFF register by the CPU.

Figure 15-5. Address Pointer in EZI2C Mode



## 15.3 Register Definitions

The registers shown here are associated with I<sup>2</sup>C Slave and are listed in address order. Each register description has an associated register table showing the bit structure for that register. The grayed out bits in the tables are reserved bits and are not detailed in the register descriptions that follow. Always write reserved bits with a value of '0'. For a complete table of I<sup>2</sup>C registers, refer to the “[Summary Table of the System Resource Registers](#)” on page 106.

### 15.3.1 I2C\_XCFG Register

Address	Name	Bit 7	Bit 6	Bit 5	Bit 4	Bit 3	Bit 2	Bit 1	Bit 0	Access
0,C8h	I2C_XCFG					No BC Int		Buffer Mode	HW Addr EN	RW : 0

The I<sup>2</sup>C Extended Control Register (I2C\_XCFG) configures enhanced features. When all bits are left in the default reset state of '0', the block operates in compatibility mode. Bits 0 through 3 (except bit 2) are RW.

The Enable bit (bit 0) of the I2C\_CFG (0,D6h) register should be set to 1'b1 for the I<sup>2</sup>C enhanced features to work.

HW Addr EN	Buffer Mode	No BC Int	Byte Complete Interrupt	Clock (SCL) Stalling
On	On	On	No interrupt.	No stalling.
		Off	Interrupt generated upon every byte. <sup>a</sup>	
On	Off	On	Interrupt generated upon every byte. <sup>b</sup>	SCL stalls at each byte.
		Off	Interrupt generated upon every byte.	
Off	On	On	Generated only at address byte. <sup>c</sup>	SCL stalls only at address byte.
		Off	Interrupt generated upon every byte. <sup>a</sup>	
Off	Off	On	Interrupt generated upon every byte. <sup>d</sup>	SCL stalls at every byte.
		Off	Interrupt generated upon every byte.	

- Non-address BC interrupts are only posted if the BC bit is cleared in I2C\_SCR. Putting the M8C to sleep without clearing the BC bit in I2C\_SCR will mask I<sup>2</sup>C interrupts. This will stall the I<sup>2</sup>C bus.
- Enabling No BC Int has no affect when HW Addr En is enabled and buffer mode is disabled, even at address byte. The reason is that the receive/transmit bit must be set by the CPU. In the case of transmit operation, the byte to transmit must be loaded to the I2C\_DATA register.
- Enabling No BC Int has no affect only at address byte in this configuration. The reason is that the CPU must write to the ACK bit in the I2C\_SCR register to ACK/NACK the address byte.
- Enabling No BC Int has no affect in compatibility mode.

**Bit 3: No BC Int.** In compatibility mode, every received or transmitted byte generates a byte complete interrupt. This is also true in buffered mode regardless of whether the bus is stalled or not.

**Note** When this bit is set to a '1', A BC interrupt is not enabled for any data byte that is automatically ACK'ed (i.e., does not require the bus to stall). A BC interrupt is always generated on any stall so the CPU takes the appropriate action. When the bit is set, it is possible to implement packet transfers without CPU intervention by enabling an interrupt upon the Stop detect.

**Bit 1: Buffer Mode.** This bit determines the operation mode of the enhanced buffer module. The following table describes the available modes.

Buffer Mode	Name	Description
0	Compatible	There is no buffering in the default compatibility mode. The I <sup>2</sup> C bus is stalled upon every received or transmitted byte, including address bytes. The CPU is required to process the interrupt and write or read the data and status as required to continue the operation.
1	EZI2C	The I <sup>2</sup> C slave appears as a 32-byte RAM interface to an external master. A specific protocol must be followed, in which the master controls the RAM pointer for both read and write operations. The I <sup>2</sup> C bus is never stalled. Receive ACKs are automatically generated. The CPU is responsible for putting valid data into the RAM for external reads, and for reading received data.

**Bit 0: HW Addr En.** When this bit is set to a '1', hardware address compare is enabled. Upon a compare, the address is automatically ACK'ed, and upon a mismatch, the address is automatically NACK'ed and the hardware reverts to an idle state waiting for the next Start detection. You must configure the compare address in the I2C\_ADDR register. When this bit is a '0', bit 3 of the I2C\_SCR register is set and the bus stalls, and the received address is available in the I2C\_DR register to enable the CPU to do a firmware address compare. The functionality of this bit is independent of the data buffering mode.

For additional information, refer to the [I2C\\_XCFG register](#) on page 226.

### 15.3.2 I2C\_XSTAT Register

Address	Name	Bit 7	Bit 6	Bit 5	Bit 4	Bit 3	Bit 2	Bit 1	Bit 0	Access
0,C9h	<a href="#">I2C_XSTAT</a>							Dir	Slave Busy	R : 0

The I<sup>2</sup>C Extended Status Register (I2C\_XSTAT) reads enhanced feature status. All bits are read only. When the bits of I2C\_XCFG are left in their reset state, the block is in compatibility mode, and this register is not in use.

**Bit 1: Dir.** This bit indicates the direction of the current transfer. A '1' indicates a master read, and a '0' indicates a master write. It is only valid when the Slave Busy bit (bit 0) is set to '1'.

**Bits 0: Slave Busy.** This bit is set upon a hardware address compare and is reset upon the following stop signal. Poll this bit to determine when the slave is busy and the buffer module is being accessed.

For additional information, refer to the [I2C\\_XSTAT register on page 227](#).

### 15.3.3 I2C\_ADDR Register

Address	Name	Bit 7	Bit 6	Bit 5	Bit 4	Bit 3	Bit 2	Bit 1	Bit 0	Access
0,CAh	<a href="#">I2C_ADDR</a>									RW : 00

The I<sup>2</sup>C Slave Address Register (I2C\_ADDR) holds the slave's 7-bit address. All bits are RW.

**Note** When hardware address compare mode is not enabled in the I2C\_XCFG register, this register is not in use.

**Bits 6 to 0: Slave Address[6:0].** These 7 bits hold the slave's own device address.

For additional information, refer to the [I2C\\_ADDR register on page 228](#).

### 15.3.4 I2C\_BP Register

Address	Name	Bit 7	Bit 6	Bit 5	Bit 4	Bit 3	Bit 2	Bit 1	Bit 0	Access
0,CBh	<a href="#">I2C_BP</a>									R : 00

The I<sup>2</sup>C Base Address Pointer Register (I2C\_BP) contains the base address value of the RAM data buffer.

**Note** When in compatibility mode, this register is not in use.

**Bits 4 to 0: I2C Base Pointer[4:0].** In the EZI2C protocol, the first data byte after the slave address transaction in write mode is the base address for subsequent reads and writes and it is transferred directly into this register. If the desired transaction is a master write to the slave, subsequent bytes are written to the RAM buffer starting with this address and auto incremented (see [I2C\\_CP Register](#)).

In case of a read, a Start or Restart must be issued and the read location starts with this address and again subsequent

read addresses are auto incremented as pointed to by the I2C\_CP register value. The value of this register is modified only at the beginning of every I<sup>2</sup>C write transaction. The I<sup>2</sup>C master must always supply a value for this register in the first byte of data after the slave's address in a given write transaction. If performing reads, the master need not set the value of this register. The current value of this register is also used directly for reads.

For additional information, refer to the [I2C\\_BP register on page 229](#).

### 15.3.5 I2C\_CP Register

Address	Name	Bit 7	Bit 6	Bit 5	Bit 4	Bit 3	Bit 2	Bit 1	Bit 0	Access
0,CCh	<a href="#">I2C_CP</a>				I2C Current Pointer[4:0]					R : 00

The I<sup>2</sup>C Current Address Pointer Register (I2C\_CP) contains the current address value of the RAM data buffer.

**Note** When in compatibility mode, this register is not in use.

**Bits 4 to 0: I2C Current Pointer[4:0].** This register gets set at the same time and with the same value as the [I2C\\_BP Register](#). After each completed data byte of the current I<sup>2</sup>C transaction, the value of this register is incremented by one.

The value rolls over to 0x00 when the master writes the 32nd byte.

The value of this register always determines the location that read or write data comes from or is written to. This register is set to the value contained in the [I2C\\_BP Register](#) on every start condition detected in the bus.

For additional information, refer to the [I2C\\_CP register on page 230](#).

### 15.3.6 CPU\_BP Register

Address	Name	Bit 7	Bit 6	Bit 5	Bit 4	Bit 3	Bit 2	Bit 1	Bit 0	Access
0,CDh	<a href="#">CPU_BP</a>				CPU Base Pointer[4:0]					RW : 00

The CPU Base Address Pointer Register (CPU\_BP) contains the base address value of the RAM data buffer.

**Note** When in compatibility mode, this register is not in use.

**Bits 4 to 0: CPU Base Pointer[4:0].** This register value is completely controlled by I/O writes by the CPU. Firmware routines must set this register. As with the I2C\_BP, the value of this register sets the starting address for the data location being written or read. When this register is written, the current address pointer, CPU\_CP, is also updated with the same value.

The first read or write from/to the I2C\_BUF register start at this address. The location of the data in subsequent read or writes is determined by the CPU\_CP register value, which auto increments after each read or write. Firmware makes certain that the slave device always has valid data or the data is read before overwritten.

For additional information, refer to the [CPU\\_BP register on page 231](#).

### 15.3.7 CPU\_CP Register

Address	Name	Bit 7	Bit 6	Bit 5	Bit 4	Bit 3	Bit 2	Bit 1	Bit 0	Access
0,CEh	<a href="#">CPU_CP</a>				CPU Current Pointer[4:0]					R : 00

The CPU Current Address Pointer Register (CPU\_CP) contains the current address value of the RAM data buffer.

**Note** When in compatibility mode, this register is not in use.

**Bits 4 to 0: CPU Current Pointer[4:0].** This register is set at the same time and with the same value as the [CPU\\_BP Register](#). Whenever the [I2C\\_BUF Register](#) is written or read, the CPU\_CP increments automatically.

For additional information, refer to the [CPU\\_CP register on page 232](#).

### 15.3.8 I2C\_BUF Register

Address	Name	Bit 7	Bit 6	Bit 5	Bit 4	Bit 3	Bit 2	Bit 1	Bit 0	Access
0,CFh	I2C_BUF	Data Buffer[7:0]								RW : 00

The I<sup>2</sup>C Data Buffer Register (I2C\_BUF) is the CPU read/write interface to the data buffer. Whenever this register is read, the data at the location pointed to by the CPU current pointer (CPU\_CP) is returned. Similarly, whenever this register is written, the data is transferred to the buffer and written at the location pointed to by the CPU current pointer (CPU\_CP). Whenever this register is read, without initializing the RAM contents either through the I<sup>2</sup>C or CPU interface, no valid value is returned.

The M8C accesses the data buffer through this register interface (I2C\_BUF). Since the M8C issues an I/O read signal before an I/O write for some opcodes, the pointers (CPU\_CP) to the data buffer increment unnecessarily because of an extra I/O read before an I/O write. Hence, all the I/O reads that occur in FIRST phase are ignored. The I/O reads that occur only in EXEC phase are taken as actual I/O reads for this register.

So, only the following basic M8C register access instructions may be used for accessing this register:

```
MOV A, reg[expr]
MOV A, reg[X+expr]
MOV [expr], [expr]
MOV reg[expr], A
MOV reg[X+expr], A
MOV reg[expr], expr
MOV reg[X+expr], expr
```

**Note** When in compatibility mode, this register is not in use.

**Bits 7 to 0: Data Buffer[7:0].** The I<sup>2</sup>C Data Buffer Register (I2C\_BUF) is the CPU read/write interface to the data buffer. Whenever this register is read, the data at the location pointed to by the CPU current pointer (CPU\_CP) is returned. Similarly, whenever this register is written, the data is transferred to the buffer and written at the location pointed to by the CPU current pointer (CPU\_CP). Whenever this register is read, without initializing the RAM contents either through the I<sup>2</sup>C or CPU interface, no valid value is returned.

For additional information, refer to the [I2C\\_BUF register on page 233](#).

### 15.3.9 I2C\_CFG Register

Address	Name	Bit 7	Bit 6	Bit 5	Bit 4	Bit 3	Bit 2	Bit 1	Bit 0	Access
0,D6h	I2C_CFG		PSelect		Stop IE	Clock Rate[1:0]			Enable	RW : 00

The I<sup>2</sup>C Configuration Register (I2C\_CFG) is used to set the basic operating modes, baud rate, and selection of interrupts. The bits in this register control baud rate selection and optional interrupts. The values are typically set once for a given configuration. The bits in this register are all RW.

Table 15-1. I2C\_CFG Configuration Register

Bit	Access	Description	Mode
6	RW	I2C Pin Select 0 = P1[7], P1[5] 1 = P1[1], P1[0]	Slave
4	RW	Stop IE Stop interrupt enable. 0 = Disabled. 1 = Enabled. An interrupt is generated upon the detection of a Stop condition.	Slave
3:2	RW	Clock Rate 00 = 100K Standard Mode 01 = 400K Fast Mode 10 = 50K Standard Mode 11 = Reserved	Slave

**Bit 6: PSelect.** Pin Select. With the default value of zero, the I<sup>2</sup>C pins are P1[7] for clock and P1[5] for data. When this bit is set, the pins for I<sup>2</sup>C switch to P1[1] for clock and P1[0] for data. You cannot change this bit while the Enable bit is set. However, the PSelect bit may be set at the same time as the enable bits. The two sets of pins used on I<sup>2</sup>C are not equivalent. The default set, P1[7] and P1[5], are the preferred set. The alternate set, P1[1] and P1[0], are provided so that I<sup>2</sup>C may be used with 8-pin PSoC devices.

If In-System Serial Programming (ISSP) is used and the alternate I<sup>2</sup>C pin set is also used, you must consider the interaction between the PSoC Test Controller and the I<sup>2</sup>C bus. The interface requirements for ISSP must be reviewed to ensure that they are not violated.

Even if ISSP is not used, pins P1[1] and P1[0] respond differently than other I/O pins to a POR or XRES event. After an XRES event, both pins are pulled down to ground by going into the resistive zero drive mode before reaching the High Z drive mode. After a POR event, P1[0] drives out a one, then goes to the resistive zero state for some time, and finally reaches the High Z drive mode state. After POR, P1[1] goes into a resistive zero state for a while before going to the High Z drive mode.

**Bit 4: Stop IE.** Stop Interrupt Enable. When this bit is set, a slave can interrupt upon Stop detection. The status bit associated with this interrupt is the Stop Status bit in the [I2C\\_SCR Register](#). When the Stop Status bit transitions from '0' to '1', the interrupt is generated. It is important to note that the Stop Status bit is not automatically cleared. Therefore, if it is already set, no new interrupts are generated until it is cleared by firmware.

**Bits 3 and 2: Clock Rate[1:0].** These bits offer a selection of three sampling and bit rates. All block clocking is based on the SYSCLK input, which is nominally 12 MHz or 6 MHz or 24 MHz for CY8CTMG20x and CY8CTST200 (unless the PSoC device is in external clocking mode). The sampling rate and the baud rate are determined as follows:

- Sample Rate = SYSCLK/Prescale Factor
- Baud Rate = 1/(Sample Rate x Samples per Bit)

When clocking the input with a frequency other than 6/12 MHz (for example, clocking the device with an external clock), the baud rates and sampling rates scale accordingly. Whether the block works in a Standard Mode or Fast Mode system depends upon the sample rate.

The sample rate must be sufficient to resolve bus events, such as Start and Stop conditions. See the Philips Semiconductors (now NXP Semiconductors) I<sup>2</sup>C-Bus Specification, version 2.1, for minimum start and stop hold times.

**Bit 0: Enable.** When the slave is enabled, the block generates an interrupt upon any Start condition and an address byte that it receives indicating the beginning of an I<sup>2</sup>C transfer. When operating as a slave, the block is clocked from an external master. Therefore, the block works at any frequency up to the maximum defined by the currently selected clock rate. The internal clock is only used in slave mode, to ensure that there is adequate setup time from data output to the next clock upon the release of a slave stall. When the Enable bit is '0', the block is held in reset and all status is cleared. CPU access to the HW buffer (EZI2C mode) is blocked when the bit is '0'. Block enable is synchronized to the SYSCLK clock input (see ["Timing Diagrams" on page 130](#)). If the block is enabled when there is an I<sup>2</sup>C transaction already on the I<sup>2</sup>C bus, an erroneous start is detected if SCL is high and SDA is low. (SDA in this case is low because of a data/ack bit.) Thus, to avoid this erroneous start detection, enable the block only when the bus is idle (SCL and SDA are high when idle) or only when both SCL and SDA are low.

The other option is to change the drive modes of the I<sup>2</sup>C pins to be other than open drain mode and then enable the

I<sup>2</sup>C block. After enabling the I<sup>2</sup>C block, wait for 3 I<sup>2</sup>C sample clocks, then configure the drive modes of the I<sup>2</sup>C pins to be in open drain mode.

Table 15-2. Enable Operation in I2C\_CFG

Enable	Block Operation
No	<p>Disabled</p> <p>The block is disconnected from the GPIO pins, P1[5] and P1[7]. (The pins may be used as general purpose IO.) When the slave is enabled, the GPIO pins are under control of the I<sup>2</sup>C hardware and are unavailable.</p> <p>All internal registers (except I2C_CFG) are held in reset.</p>
Yes	<p>Slave Mode</p> <p>Any external Start condition causes the block to start receiving an address byte. Regardless of the current state, any Start resets the interface and initiates a Receive operation. Any Stop causes the block to revert to an idle state</p>

For additional information, refer to the [I2C\\_CFG register](#) on [page 239](#).

### 15.3.10 I2C\_SCR Register

Address	Name	Bit 7	Bit 6	Bit 5	Bit 4	Bit 3	Bit 2	Bit 1	Bit 0	Access
0,D7h	I2C_SCR	Bus Error		Stop Status	ACK	Address	Transmit	LRB	Byte Complete	# : 00

**LEGEND**

# Access is bit specific.

The I<sup>2</sup>C Status and Control Register (I2C\_SCR) is used by the slave to control the flow of data bytes and to keep track of the bus state during a transfer.

This register contains status bits to determine the state of the current I<sup>2</sup>C transfer, and control bits to determine the actions for the next byte transfer. At the end of each byte transfer, the I<sup>2</sup>C hardware interrupts the M8C microcontroller and stalls the I<sup>2</sup>C bus on the subsequent low of the clock, until the PSoC device intervenes with the next command. This register may be read as many times as necessary; but on a subsequent write to this register, the bus stall is released and the current transfer continues.

There are five status bits: Byte Complete, LRB, Address, Stop Status, and Bus Error. These bits have Read/Clear (RC) access, which means that they are set by hardware but may be cleared by a write of '0' to the bit position. Under certain conditions, status is cleared automatically by the hardware.

There are two control bits: Transmit and ACK. These bits have RW access and may be cleared by hardware.

**Bit 7: Bus Error.** The Bus Error status detects misplaced Start or Stop conditions on the bus. These may be due to noise, rogue devices, or other devices that are not yet synchronized with the I<sup>2</sup>C bus traffic. According to the I<sup>2</sup>C specification, all compatible devices must reset their interface upon a received Start or Stop. This is a natural thing to do in slave mode because a Start initiates an address reception and a Stop idles the slave.

A bus error is defined as follows. A Start is only valid if the block is idle or a slave receiver is ready to receive the first bit of a new byte after an ACK. Any other timing for a Start condition sets the Bus Error bit. A Stop is only valid if the block is idle or a slave receiver is ready to receive the first bit of a new byte after an ACK. Any other timing for a Stop condition sets the Bus Error bit.

**Bit 5: Stop Status.** Stop status is set upon detection of an I<sup>2</sup>C Stop condition. This bit is sticky, which means that it remains set until a '0' is written back to it by the firmware. This bit may only be cleared if the Byte Complete status bit is set. If the Stop Interrupt Enable bit is set, an interrupt is also generated upon Stop detection. It is never automatically cleared. Using this bit, a slave can distinguish between a previous Stop or Restart upon a given address byte interrupt.

The selections are shown in the following table:

Bit	Access	Description
7	RC	Bus Error 1 = A misplaced Start or Stop condition was detected. This status bit must be cleared by firmware with a write of '0' to the bit position. It is never cleared by the hardware.
5	RC	Stop Status 1 = A Stop condition was detected. This status bit must be cleared by firmware with a write of '0' to the bit position. It is never cleared by the hardware.
4	RW	ACK: Acknowledge Out 0 = NACK the last received byte. 1 = ACK the last received byte. This bit is automatically cleared by hardware upon the following byte complete event.
3	RC	Address 1 = The transmitted or received byte is an address. This status bit must be cleared by firmware with a write of '0' to the bit position.
2	RW	Transmit 0 = Receive Mode. 1 = Transmit Mode. This bit is set by firmware to define the direction of the byte transfer. Any Start detect automatically clears this bit.
1	RC	LRB: Last Received Bit The value of the ninth bit in a transmit sequence, which is the acknowledge bit from the receiver. 0 = Last transmitted byte was ACK'ed by the receiver. 1 = Last transmitted byte was NACK'ed by the receiver. Any Start detect automatically clears this bit.
0	RC	Byte Complete Transmit Mode: 1 = 8 bits of data have been transmitted and an ACK or NACK has been received. Receive Mode: 1 = 8 bits of data have been received. Any Start detect automatically clears this bit.

**Bit 4: ACK.**

This control bit defines the acknowledge data bit that is transmitted out in response to a received byte. When receiving, a byte complete interrupt is generated after the eighth data bit is received. Upon the subsequent write to this register to continue (or terminate) the transfer, the state of this bit determines the next transmitted data bit. It is **active high**. A '1' sends an ACK and a '0' sends a NACK. A slave receiver sends a NACK to inform the master that it cannot receive any more bytes.



**Bit 3: Address.**

This bit is set when an address is received. This consists of a Start or Restart, and an address byte.

In slave mode when this status is set, firmware reads the received address from the data register and compares it with its own address. If the address does not match, the firmware writes a NACK indication to this register. No further interrupts occur until the next address is received. If the address does match, firmware must ACK the received byte, then byte complete interrupts are generated on subsequent bytes of the transfer.

When in I<sup>2</sup>C compatibility mode the Address bit should not be cleared between a start and the next byte complete. If it is cleared during this time the start status is cleared internally.

**Bit 2: Transmit.** This bit sets the direction of the shifter for a subsequent byte transfer. The shifter is always shifting in data from the I<sup>2</sup>C bus, but a write of '1' enables the output of the shifter to drive the SDA output line. Since a write to this register initiates the next transfer, data must be written to the data register before writing this bit. In receive mode, the previously received data must have been read from the data register before this write. Firmware derives this direction from the RW bit in the received slave address.

This direction control is only valid for data transfers. The direction of address bytes is determined by the hardware.

**Bit 1: LRB.** Last Received Bit. This is the last received bit in response to a previously transmitted byte. In transmit mode, the hardware sends a byte from the data register and

clock in an acknowledge bit from the receiver. Upon the subsequent byte complete interrupt, firmware checks the value of this bit. A '0' is the ACK value and a '1' is a NACK value.

The meaning of LRB depends upon the current operating mode.

**'0': ACK.** The master wants to read another byte. The slave loads the next byte into the [I2C\\_DR Register](#) and sets the Transmit bit in the I2C\_SCR register to continue the transfer.

**'1': NACK.** The master is done reading bytes. The slave reverts to IDLE state on the subsequent I2C\_SCR write (regardless of the value written).

**Bit 0: Byte Complete.** The I<sup>2</sup>C hardware operates on a byte basis. In transmit mode, this bit is set and an interrupt is generated at the end of nine bits (the transmitted byte + the received ACK). In receive mode, the bit is set after the eight bits of data are received. When this bit is set, an interrupt is generated at these data sampling points, which are associated with the SCL input clock rising (see details in [Timing Diagrams on page 130](#)). If the PSoC device responds with a write back to this register before the subsequent falling edge of SCL (which is approximately one-half bit time), the transfer continues without interruption. However, if the device cannot respond within that time, the hardware holds the SCL line low, stalling the I<sup>2</sup>C bus. A subsequent write to the I2C\_SCR register releases the stall.

For additional information, refer to the [I2C\\_SCR register on page 240](#).

### 15.3.11 I2C\_DR Register

Address	Name	Bit 7	Bit 6	Bit 5	Bit 4	Bit 3	Bit 2	Bit 1	Bit 0	Access
0,D8h	<a href="#">I2C_DR</a>	Data[7:0]								RW : 00

The I<sup>2</sup>C Data Register (I2C\_DR) provides read/write access to the Shift register.

**Bits 7 to 0: Data[7:0].** This register is not buffered; therefore, writes and valid data reads occur at specific points in the transfer. These cases are outlined as follows:

- **Slave Receiver** – Data in the I2C\_DR register is only valid for reading when the Byte Complete status bit is set. Data bytes must be read from the I2C\_DR register

before writing to the [I2C\\_SCR Register](#), which continues the transfer.

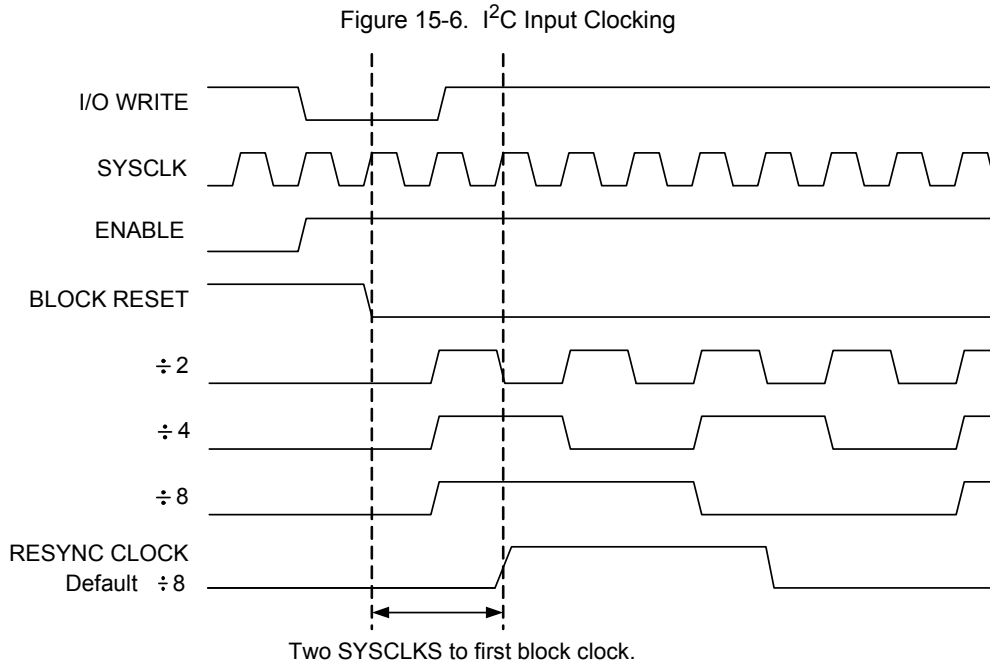
- **Slave Transmitter** – Data bytes must be written to the I2C\_DR register before the Transmit bit is set in the [I2C\\_SCR Register](#), which continues the transfer.

For additional information, refer to the [I2C\\_DR register on page 241](#).

## 15.4 Timing Diagrams

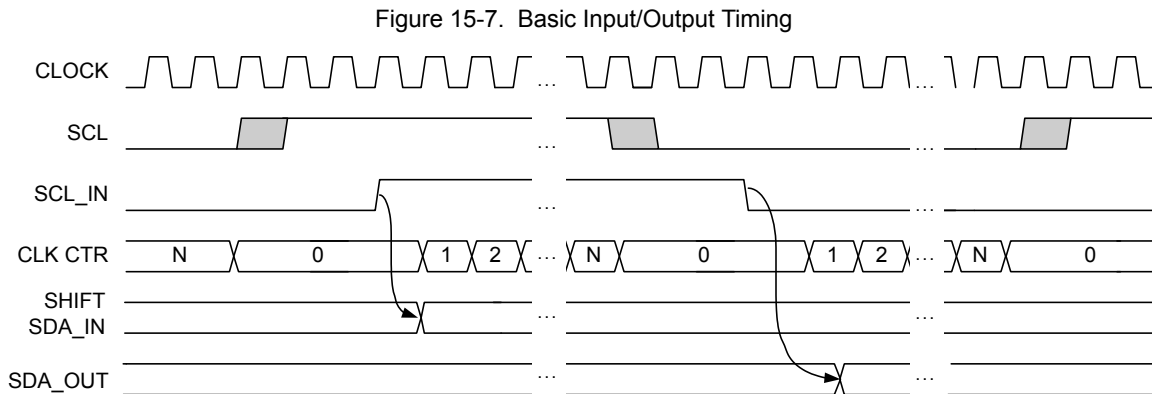
### 15.4.1 Clock Generation

Figure 15-6 illustrates the I<sup>2</sup>C input clocking scheme. The SYSCLK pin is an input into a three-stage ripple divider that provides the baud rate selections. When the block is disabled, all internal state is held in a reset state. When the Enable bit in the I2C\_CFG Register is set, the reset is synchronously released and the clock generation is enabled. All three taps from the *ripple divider* are selectable ( $/2$ ,  $/4$ ,  $/8$ ) from the clock rate bits in the I2C\_CFG Register. If any of the three divider taps is selected, that clock is resynchronized to SYSCLK. The resulting clock is routed to all of the synchronous elements in the design.



### 15.4.2 Basic I/O Timing

Figure 15-7 illustrates basic input/output timing that is valid for both 16 times sampling and 32 times sampling. For 16 times sampling,  $N=4$ ; for 32 times sampling,  $N=12$ .  $N$  is derived from the half-bit rate sampling of eight and 16 clocks, respectively, minus the input latency of three (count of 4 and 12 correspond to 5 and 13 clocks).



### 15.4.3 Status Timing

Figure 15-8 illustrates the interrupt timing for byte complete, which occurs on the positive edge of the ninth clock (byte + ACK/NACK) in transmit mode and on the positive edge of the eighth clock in receive mode. There is a maximum of three cycles of latency due to the input synchronizer/filter circuit. As shown, the interrupt occurs on the clock following a valid SCL positive edge input transition (after the synchronizers). The Address bit is set with the same timing but only after a slave address has been received. The LRB (Last Received Bit) status is also set with the same timing but only on the ninth bit after a transmitted byte.

Figure 15-8. Byte Complete, Address, LRB Timing

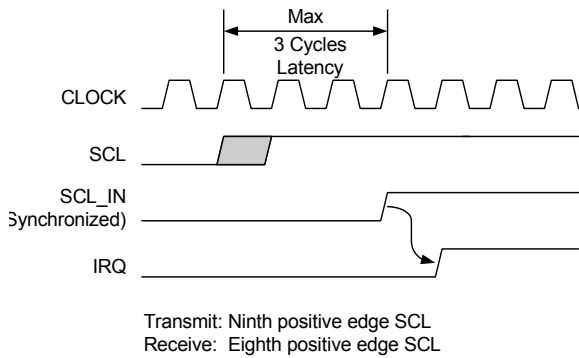


Figure 15-9 shows the timing for Stop status. This bit is set (and the interrupt occurs) two clocks after the synchronized and filtered SDA line transitions to a '1', when the SCL line is high.

Figure 15-9. Stop Status and Interrupt Timing

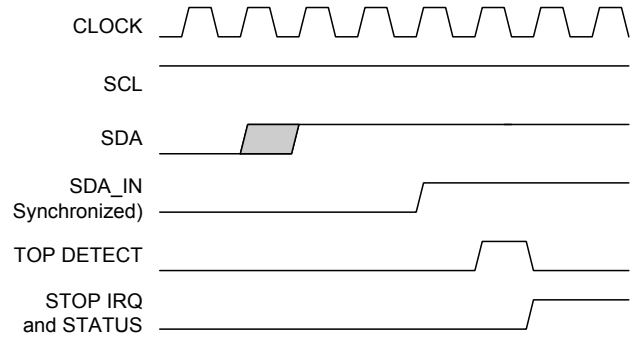
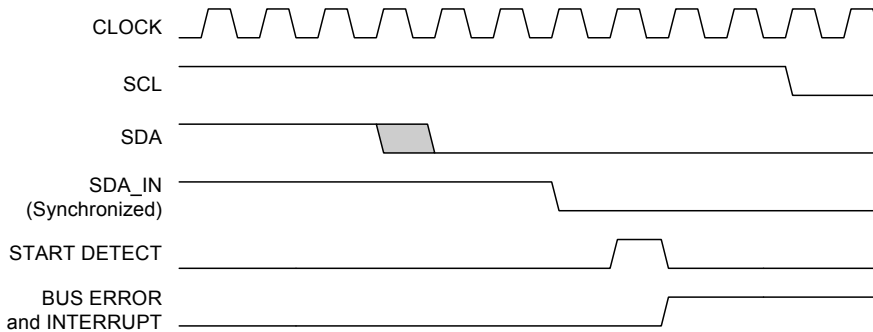


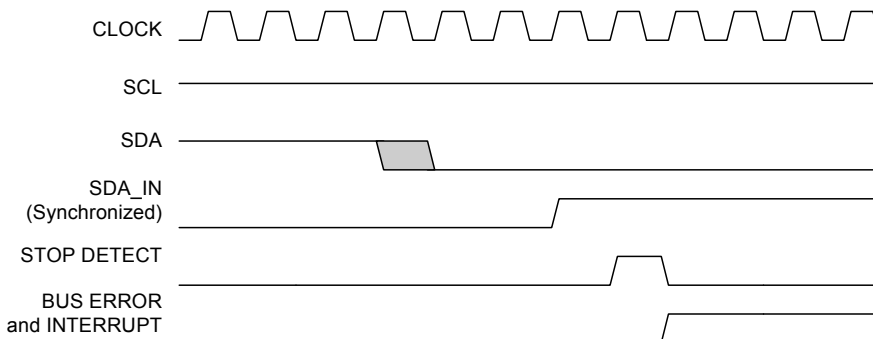
Figure 15-10 illustrates the timing for bus error interrupts. Bus Error status (and interrupt) occurs one cycle after the internal Start or Stop detect (two cycles after the filtered and synchronized SDA input transition).

Figure 15-10. Bus Error Interrupt Timing

#### Misplaced Start

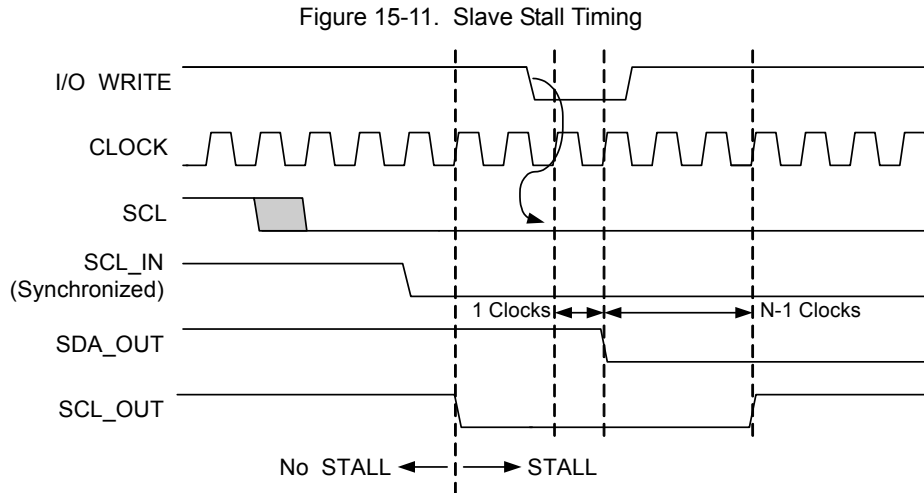


#### Misplaced Stop



### 15.4.4 Slave Stall Timing

When a byte complete interrupt occurs, the PSoC device firmware must respond with a write to the [I2C\\_SCR Register](#) to continue the transfer (or terminate the transfer). The interrupt occurs two clocks after the rising edge of SCL\_IN (see [Status Timing on page 131](#)). As illustrated in [Figure 15-11](#), firmware has until one clock after the falling edge of SCL\_IN to write to the [I2C\\_SCR Register](#); otherwise, a stall occurs. After stalled, the I/O write releases the stall. The setup time between data output and the next rising edge of SCL is always N-1 clocks.



### 15.4.5 Implementation

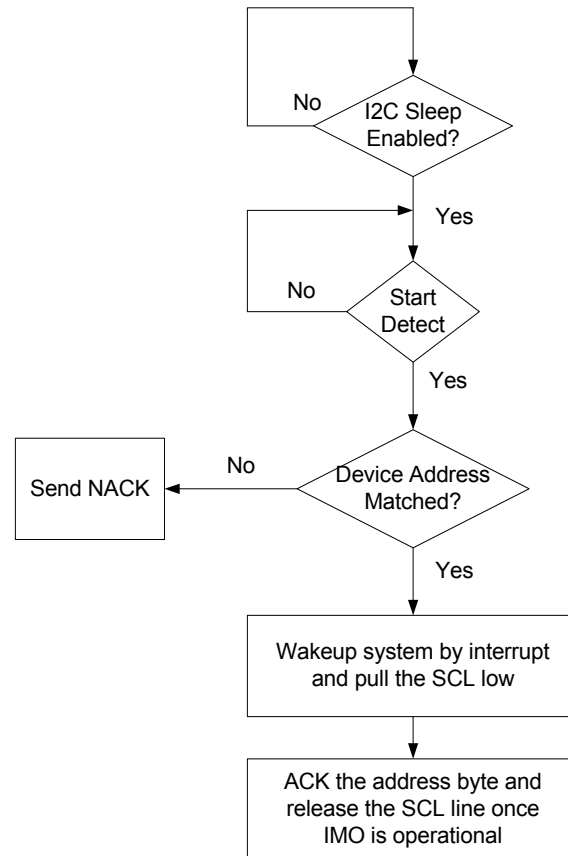
The I2C block responds to transactions during sleep if and only if:

- a. The I2C slave block is enabled, i.e., bit 0 of the [I2C\\_CFG Register](#) is set to 1'b1.
- b. If I2C\_ON is set or the USB Enable bit of USB\_CR0 is set.
- c. PD signal from the sleep controller is high.

To enable the wakeup through I2C, set the HW Addr EN bit so that the I2C slave block wakes the system if and only if the address matches. [Figure 15-12](#) depicts the wakeup sequence through I2C.

**Note** The last step in this flowchart where SCL is released in general, represents the configuration where buffer mode is enabled.

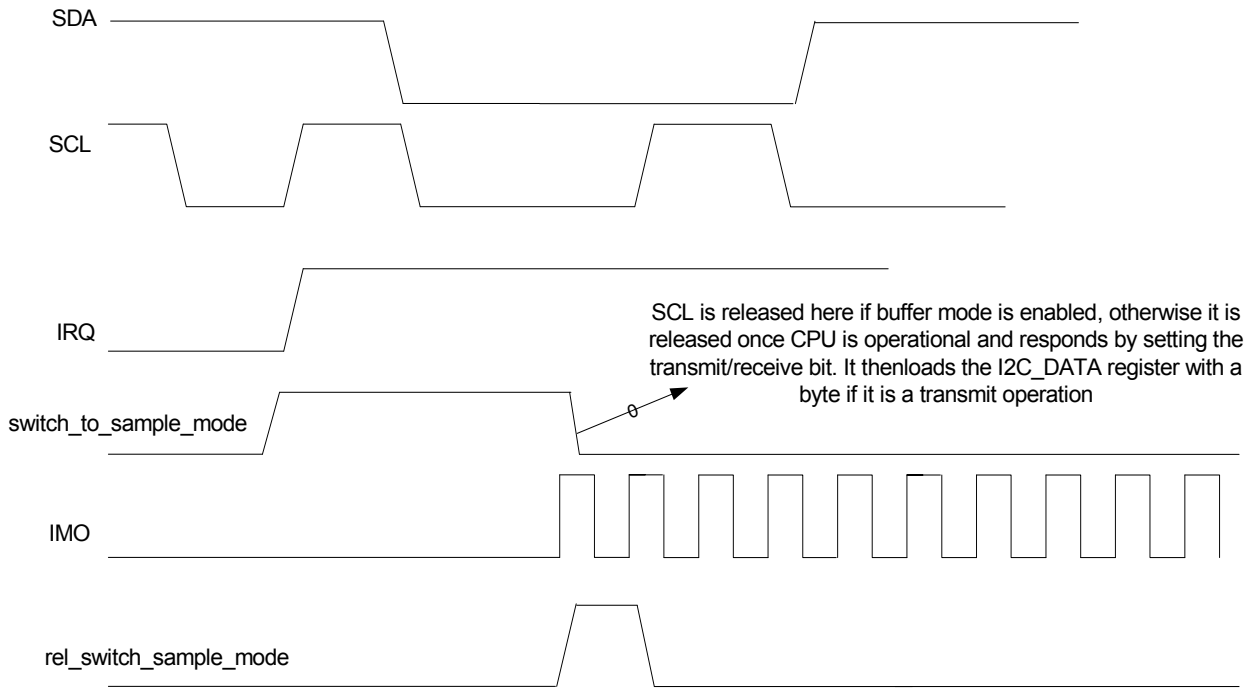
Figure 15-12. I2C Wakeup Sequence



### 15.4.6 Compatibility Mode Configuration

In compatibility mode, the SCL, as usual, is pulled low until the CPU responds by setting the Transmit/Receive bit and for loading a byte in the I2C\_DATA register (in case of transmit operation) even though IMO is operational. Figure 15-13 illustrates the process of switching from direct clocking to sampled mode.

Figure 15-13. Direct Clocking to Sample Mode Timing



See the following notes regarding Figure 15-13:

- After, the address matches IRQ and a signal called switch\_to\_sample\_mode are asserted asynchronously.
- This IRQ goes as input to the sleep controller block. The sleep controller block wakes the system by clearing the sleep bit.
- After IMO is operational, the signal switch\_to\_sample\_mode is registered and asserted high, indicating IMO is operational. When this registered signal becomes high, the switch\_to\_sample\_mode signal deasserts asynchronously.
- The state machines and other logic are put at appropriate states when switching to sample mode.



# 16. System Resets



This chapter discusses the System Resets and their associated registers. PSoC devices support several types of resets. The various resets are designed to provide error-free operation during power up for any voltage ramping profile, to allow for user supplied external reset, and to provide recovery from errant code operation. For a complete table of the System Reset registers, refer to the [Summary Table of the System Resource Registers on page 106](#). For a quick reference of all PSoC registers in address order, refer to the [Register Reference chapter on page 187](#).

## 16.1 Architectural Description

When reset is initiated, all registers are restored to their default states. In the [Register Reference chapter on page 187](#), this is indicated by the POR row in the register tables and elsewhere it is indicated in the Access column values on the right side of the colon, in the register tables. Minor exceptions are explained ahead.

The following types of resets occur in the PSoC device:

- **Power on Reset (POR).** This occurs at low supply voltage and is comprised of multiple sources.
- **External Reset (XRES).** This active high reset is driven into the PSoC device on parts that contain an XRES pin.
- **Watchdog Reset (WDR).** This optional reset occurs when the watchdog timer expires before being cleared by user firmware. Watchdog resets default to off.
- **Internal Reset (IRES).** This occurs during the boot sequence if the SROM code determines that Flash reads are invalid.

The occurrence of a reset is recorded in the Status and Control registers (CPU\_SCR0 for POR, XRES, and WDR) or in the System Status and Control Register 1 (CPU\_SCR1 for IRESS). Firmware can interrogate these registers to determine the cause of a reset.

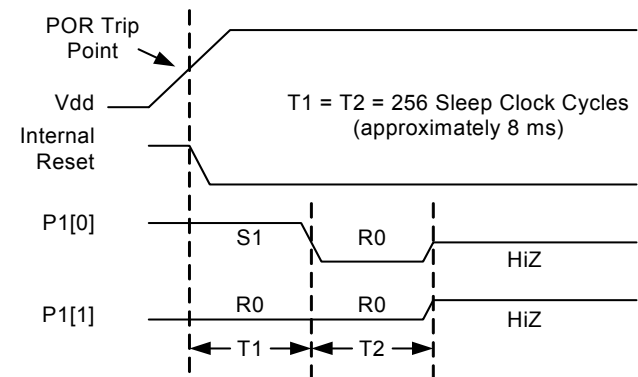
## 16.2 Pin Behavior During Reset

Power on Reset and External Reset cause toggling on two GPIO pins, P1[0] and P1[1], as described ahead and illustrated in [Figure 16-1](#) and [Figure 16-2](#). This allows programmers to synchronize with the PSoC device. All other GPIO pins are placed in a high impedance state during and immediately following reset.

### 16.2.1 GPIO Behavior on Power Up

At power up, the internal POR causes P1[0] to initially drive a strong high (1) while P1[1] drives a resistive low (0). After 256 sleep oscillator cycles (approximately 8 ms), the P1[0] signal transitions to a resistive low state. After an additional 256 sleep oscillator clocks, both pins transition to a high impedance state and normal CPU operation begins. This is illustrated in the following figure.

Figure 16-1. P1[1:0] Behavior on Power Up



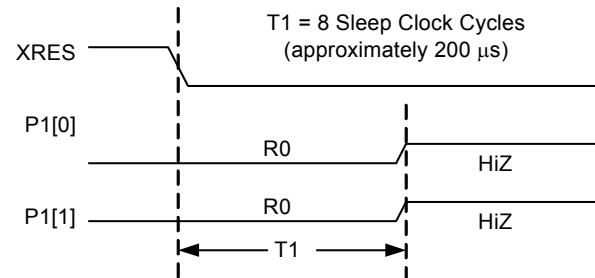
## 16.2.2 Powerup External Reset Behavior

The device's core runs on chip regulated supply, so there is a time delay in powering up the core. A short XRES pulse at power up causes an external reset startup behavior. However, the event is latched and applied only after the core has powered up (a delay of about 1 ms).

## 16.2.3 GPIO Behavior on External Reset

During External Reset (XRES=1), both P1[0] and P1[1] drive resistive low (0). After XRES deasserts, these pins continue to drive resistive low for another eight sleep clock cycles (approximately 200  $\mu$ s). After this time, both pins transition to a high impedance state and normal CPU operation begins. This is illustrated in [Figure 16-2](#).

Figure 16-2. P1[1:0] Behavior on External Reset (XRES)





## 16.3 Register Definitions

The following registers are associated with the PSoC System Resets and are listed in address order. Each register description has an associated register table showing the bit structure for that register. The bits in the tables that are grayed out are reserved bits and are not detailed in the register descriptions that follow. Always write reserved bits with a value of 0. For a complete table of system reset registers, refer to the [“Summary Table of the System Resource Registers” on page 106](#).

### 16.3.1 CPU\_SCR1 Register

Address	Name	Bit 7	Bit 6	Bit 5	Bit 4	Bit 3	Bit 2	Bit 1	Bit 0	Access
x,FEh	CPU_SCR1	IRESS			SLIMO[1:0]				IRAMDIS	# : 0

**LEGEND**

- x An "x" before the comma in the address field indicates that this register can be read or written to no matter what bank is used.
- # Access is bit specific. Refer to the [Register Reference chapter on page 187](#) for additional information.

The System Status and Control Register 1 (CPU\_SCR1) conveys the status and control of events related to internal resets and watchdog reset.

**Bit 7: IRESS.** Internal Reset Status. This bit is a read only bit that determines if the booting process occurred more than once.

When this bit is set, it indicates that the SROM SWBootReset code executed more than once. If this bit is not set, the SWBootReset executed only once. In either case, the SWBootReset code does not allow execution from code stored in Flash until the M8C core is in a safe operating mode with respect to supply voltage and Flash operation. There is no need for concern when this bit is set. It is provided for systems that may be sensitive to boot time, so that they can determine if the normal one-pass boot time was exceeded.

For more information on the SWBootReset code see the [Supervisory ROM \(SROM\) chapter on page 89](#).

**Bit 4:3 SLIMO[1:0].** These bits set the IMO frequency range. See the table ahead for more information. These

changes allow for optimization of speed and power. The IMO trim value must also be changed when SLIMO is changed (see [Engaging Slow IMO on page 63](#)).

When not in external clocking mode, the IMO is the source for SYSCLK; therefore, when the speed of the IMO changes so does SYSCLK.

SLIMO	CY8CTMG20x, CY8CTST200
00	12
01	6
10	24
11	Reserved

**Bit 0: IRAMDIS.** Initialize RAM Disable. This bit is a control bit that is readable and writeable. The **default value** for this bit is '0', which indicates that the maximum amount of SRAM must be initialized on watchdog reset to a value of 00h. When the bit is '1', the minimum amount of SRAM is initialized after a watchdog reset.

For additional information, refer to the [CPU\\_SCR1 register on page 257](#).

### 16.3.2 CPU\_SCR0 Register

Address	Name	Bit 7	Bit 6	Bit 5	Bit 4	Bit 3	Bit 2	Bit 1	Bit 0	Access
x,FFh	CPU_SCR0	GIES		WDRS	PORS	Sleep			STOP	# : XX

**LEGEND**

# Access is bit specific. Refer to register detail for additional information.  
 XX The reset value is 10h after POR/XRES and 20h after a watchdog reset.

The System Status and Control Register 0 (CPU\_SCR0) is used to convey the status and control of events for various functions of a PSoC device.

**Bit 7: GIES.** Global Interrupt Enable Status. This bit is a read only status bit and its use is discouraged. The GIES bit is a legacy bit that was used to provide the ability to read the GIE bit of the CPU\_F register. However, the CPU\_F register is now readable. When this bit is set, it indicates that the GIE bit in the CPU\_F register is also set, which in turn, indicates that the microprocessor services interrupts.

**Bit 5: WDRS.** WatchDog Reset Status. This bit may not be set. It is normally '0' and automatically set whenever a watchdog reset occurs. The bit is readable and clearable by writing a '0' to its bit position in the CPU\_SCR0 register.

**Bit 4: PORS.** Power On Reset Status. This bit, which is the watchdog enable bit, is set automatically by a POR or External Reset (XRES). If the bit is cleared by user code, the watchdog timer is enabled. After cleared, the only way to reset the PORS bit is to go through a POR or XRES. Thus, there is no way to disable the watchdog timer other than to go through a POR or XRES.

**Bit 3: Sleep.** This bit is used to enter Low Power Sleep mode when set. To wake up the system, this register bit is cleared asynchronously by any enabled interrupt. There are two special features of this bit that ensure proper sleep operation. First, the write to set the register bit is blocked if an interrupt is about to be taken on that instruction boundary (immediately after the write). Second, there is a hardware interlock to ensure that, once set, the SLEEP bit may not be cleared by an incoming interrupt until the sleep circuit has finished performing the sleep sequence and the system-wide power down signal has been asserted. This prevents the sleep circuit from being interrupted in the middle of the process of system power down, possibly leaving the system in an indeterminate state.

**Bit 0: STOP.** This bit is readable and writeable. When set, the PSoC M8C stops executing code until a reset event occurs. This can be either a POR, WDR, or XRES. If an application wants to stop code execution until a reset, the preferred method is to use the HALT instruction rather than a register write to this bit.

For additional information, refer to the [CPU\\_SCR0 register on page 258](#).

## 16.4 Timing Diagrams

### 16.4.1 Power On Reset

A Power on Reset (POR) is triggered whenever the supply voltage is below the POR trip point. POR ends once the supply voltage rises above this voltage. Refer to the [POR and LVD chapter on page 143](#) for more information on the operation of the POR block.

POR consists of two pieces: an Imprecise POR (IPOR) and a Precision POR (PPOR). “POR” refers to the OR of these two functions. IPOR has coarser accuracy and its trip point is typically lower than PPOR’s trip point. PPOR is derived from a circuit that is calibrated (during boot) for a very accurate location of the POR trip point.

During POR (POR=1), the IMO is powered off for low power during startup. After POR deasserts, the IMO is started (see [Figure 16-4](#)).

POR configures register reset status bits as shown in [16.4.4 Reset Details on page 141](#).

### 16.4.2 External Reset

An External Reset (XRES) is caused by pulling the XRES pin high. The XRES pin has an always-on, pull down resistor, so it does not require an external pull down for operation and can be tied directly to ground or left open. Behavior after XRES is similar to POR.

During XRES (XRES=1), the IMO is powered off for low power during startup. After XRES deasserts, the IMO is started (see [Figure 16-4](#)).

How the XRES configures register reset status bits is shown in [16.4.4 Reset Details on page 141](#).

### 16.4.3 Watchdog Timer Reset

The user has the option to enable the Watchdog Timer Reset (WDR), by clearing the PORS bit in the CPU\_SCR0 register. After the PORS bit is cleared, the watchdog timer cannot be disabled. The only exception to this is if a POR/XRES event takes place, which disables the WDR. Note that a WDR does not clear the watchdog timer. See [Watchdog Timer on page 81](#) for details of the watchdog operation.

When the watchdog timer expires, a watchdog event occurs, resulting in the reset sequence. Some characteristics unique to the WDR are as follows.

- PSoC device reset asserts for one cycle of the CLK32K clock (at its reset state).
- The IMO is not halted during or after WDR (that is, the part does not go through a low power phase).
- CPU operation re-starts one CLK32K cycle after the internal reset deasserts (see [Figure 16-3](#)).

How the WDR configures register reset status bits is shown in [16.4.4 Reset Details on page 141](#).

Figure 16-3. Key Signals During WDR

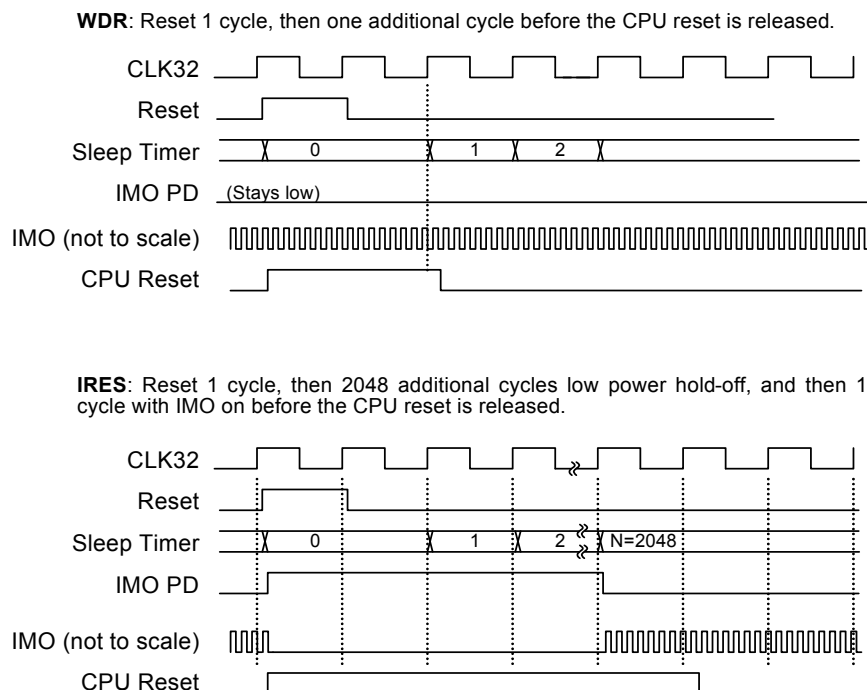
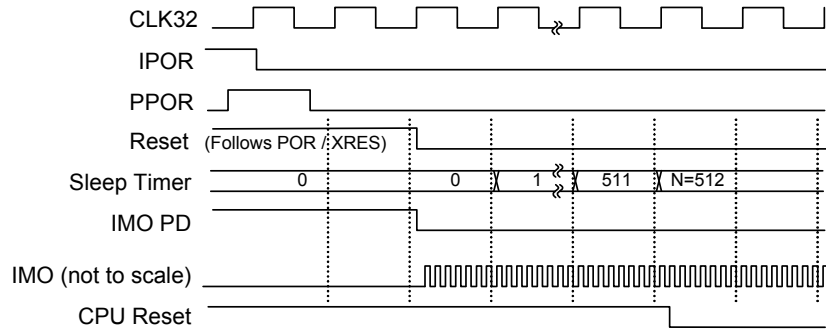
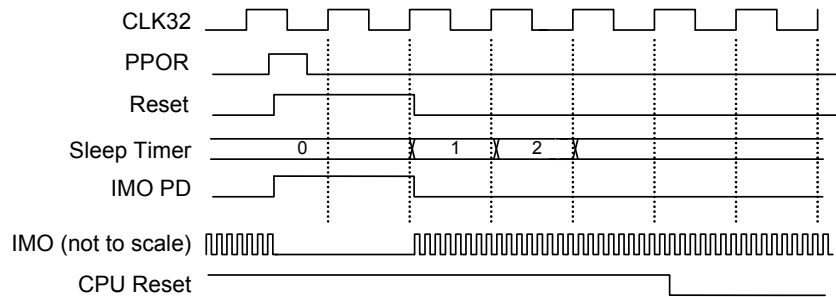


Figure 16-4. Key Signals During POR and XRES

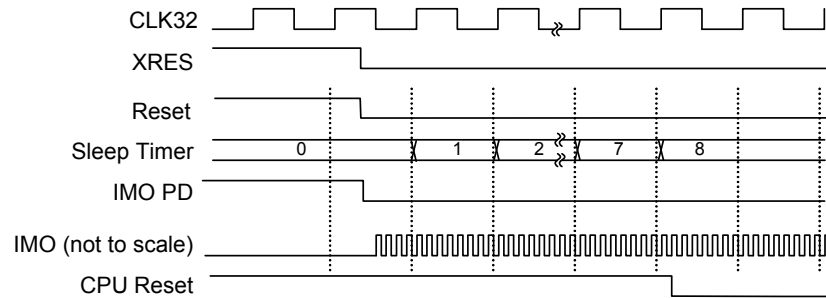
**POR** (IPOR followed by PPOR): Reset while POR is high (IMO off), then 511(+) cycles (IMO on), and then the CPU reset is released. **XRES** is the same, with N=8.



**PPOR** (with no IPOR): Reset while PPOR is high and to the end of the next 32K cycle (IMO off); 1 cycle IMO on before the CPU reset is released. Note that at the 3V level, PPOR tends to be brief because the reset clears the POR range register (VLT\_CR) back to the default 2.4V setting.



**XRES**: Reset while XRES is high (IMO off), then 7(+) cycles (IMO on), and then the CPU reset is released.



### 16.4.4 Reset Details

Timing and functionality details are summarized in [Table 16-1](#). [Figure 16-4 on page 140](#) shows some of the relevant signals for IPOR, PPOR, XRES, and WDR.

Table 16-1. Reset Functionality

Item	IPOR (Part of POR)	PPOR (Part of POR)	XRES	WDR
Reset Length	While POR=1	While PPOR=1, plus 30-60 $\mu$ s (1-2 clocks)	While XRES=1	30 $\mu$ s (1 clock)
Low Power (IMO Off) During Reset?	Yes	Yes	Yes	No
Low Power Wait Following Reset?	No	No	No	No
CLK32K Cycles from End of Reset to CPU Reset Deasserts <sup>a</sup>	512	1	8	1
Register Reset (See Next Line for CPU_SCR0, CPU_SCR1)	All	All, except PPOR does not reset Bandgap Trim register	All	All
Reset Status Bits in CPU_SCR0, CPU_SCR1	Set PORS, Clear WDRS, Clear IRAMDIS	Set PORS, Clear WDRS, Clear IRAMDIS	Set PORS, Clear WDRS, Clear IRAMDIS	Clear PORS, Set WDRS, IRAMDIS unchanged
Bandgap Power	On	On	On	On
Boot Time <sup>b</sup>	2.2 ms	2.2 ms	2.2 ms	2.2 ms

- a. CPU reset is released after synchronization with the CPU clock.
- b. Measured from CPU reset release to execution of the code at Flash address 0x0000.

## 16.5 Power Modes

The ILO block drives the CLK32K clock used to time most events during the reset sequence. This clock is powered down by IPOR but not by any other reset. The sleep timer provides interval timing.

While POR or XRES assert, the IMO is powered off to reduce startup power consumption.

During and following IRES (for 64 ms nominally), the IMO is powered off for low average power during slow supply ramps.

During and after POR or XRES, the bandgap circuit is powered up.

The IMO is always on for at least one CLK32K cycle before CPU reset is deasserted.



# 17. POR and LVD



This chapter briefly discusses the Power on Reset (POR) and Low Voltage Detect (LVD) circuits and their associated registers. For a complete table of the POR registers, refer to the [Summary Table of the System Resource Registers on page 106](#). For a quick reference of all PSoC registers in address order, refer to the [Register Reference chapter on page 187](#).

## 17.1 Architectural Description

The Power on Reset (POR) and Low Voltage Detect (LVD) circuits provide protection against low voltage conditions. The POR function senses  $V_{cc}$  and  $V_{core}$  (regulated voltage) holding the system in reset until the magnitude of  $V_{cc}$  and  $V_{core}$  supports operation to specification. The LVD function senses  $V_{cc}$  and provides an interrupt to the system when  $V_{cc}$  falls below a selected threshold. Other outputs and status bits are provided to indicate important voltage trip levels. Refer to [Section 16.2 Pin Behavior During Reset](#) for a description of GPIO pin behavior during power up.

---

## 17.2 Register Definitions

The following registers are associated with the POR and LVD, and are listed in address order. The register descriptions below have an associated register table showing the bit structure. The bits that are grayed out in the register tables are reserved bits and are not detailed in the register descriptions that follow. Reserved bits must always be written with a value of '0'. For a complete table of the POR registers, refer to the [Summary Table of the System Resource Registers on page 106](#).

### 17.2.1 VLT\_CR Register

Address	Name	Bit 7	Bit 6	Bit 5	Bit 4	Bit 3	Bit 2	Bit 1	Bit 0	Access
1,E3h	VLT_CR			PORLEV[1:0]		LVDTBEN		VM[2:0]		RW : 00

The Voltage Monitor Control Register (VLT\_CR) sets the trip points for POR, MON1 and LVD.

The VLT\_CR register is cleared by all resets. This can cause reset cycling during very slow supply ramps to 5V when the MON1 range is set for the 5V range. This is because the reset clears the MON1 range setting back to 1.8V and a new boot or startup occurs (possibly many times). You can manage this with sleep mode or reading voltage status bits if such cycling is an issue.

**Bits 5 and 4: PORLEV[1:0].** These bits set the Vcc level at which PPOR switches to one of three valid values. Do not use 11b because it is reserved.

See the “DC POR and LVD Specifications” table in the Electrical Specifications section of the PSoC device data sheet for voltage tolerances for each setting.

**Bit 3: LVDTBEN.** This bit is AND’ed with LVD to produce a throttle back signal that reduces CPU clock speed when low voltage conditions are detected. When the throttle back signal is asserted, the CPU speed bits in the OSC\_CR0 register are reset, forcing the CPU speed to its reset state.

**Bits 2 to 0: VM[2:0].** These bits set the Vdd level at which the LVD Comparator switches.

See the “DC POR and LVD Specifications” table in the Electrical Specifications section of the PSoC device data sheet for voltage tolerances for each setting.

For additional information, refer to the [VLT\\_CR register on page 279](#).

### 17.2.2 VLT\_CMP Register

Address	Name	Bit 7	Bit 6	Bit 5	Bit 4	Bit 3	Bit 2	Bit 1	Bit 0	Access
1,E4h	VLT_CMP							LVD		RW : 0

The Voltage Monitor Comparators Register (VLT\_CMP) reads the state of internal supply voltage monitors.

**Bit 1: LVD.** This bit reads the state of the LVD comparator. Zero Vdd is above the trip point. The trip points for LVD are set by VM[2:0] in the VLT\_CR register.

For additional information, refer to the [VLT\\_CMP register on page 280](#).



# 18. SPI

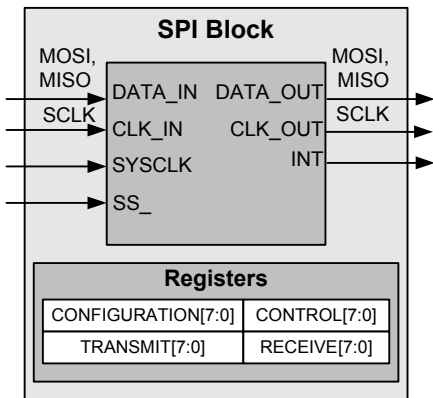


This chapter presents the Serial Peripheral Interconnect (SPI) and its associated registers. For a complete table of the SPI registers, refer to the [Summary Table of the System Resource Registers on page 106](#). For a quick reference of all PSoC registers in address order, refer to the [Register Reference chapter on page 187](#).

## 18.1 Architectural Description

The Serial Peripheral Interconnect (SPI) block is a dedicated master or slave SPI. The SPI slave function requires three inputs: Clock, Data, and SS\_ (unless the SS\_ is forced active with the SS\_bit in the configuration register).

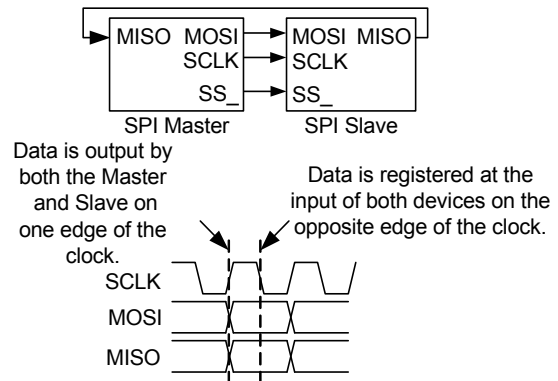
Figure 18-1. SPI Block Diagram



### 18.1.1 SPI Protocol Function

The SPI is a Motorola™ specification for implementing full-duplex synchronous serial communication between devices. The 3-wire protocol uses both edges of the clock to enable synchronous communication without the need for stringent setup and hold requirements. [Figure 18-2](#) shows the basic signals in a simple connection.

Figure 18-2. Basic SPI Configuration



A device can be a master or slave. A master outputs clock and data to the **slave device** and inputs slave data. A slave device inputs clock and data from the master device and outputs data for input to the master. Together, the master and slave are essentially a circular Shift register, where the master generates the clocking and initiates data transfers.

A basic data transfer occurs when the master sends eight bits of data, along with eight clocks. In any transfer, both master and slave transmit and receive simultaneously. If the master only sends data, the received data from the slave is ignored. If the master wishes to receive data from the slave, the master must send dummy bytes to generate the clocking for the slave to send data back.

### 18.1.1.1 SPI Protocol Signal Definitions

The SPI protocol signal definitions are located in [Table 18-1](#). The use of the SS\_ signal varies according to the capability of the slave device.

Table 18-1. SPI Protocol Signal Definitions

Name	Function	Description
MOSI	Master Out Slave In	Master data output.
MISO	Master In Slave Out	Slave data output.
SCLK	Serial Clock	Clock generated by the master.
SS_	Slave Select (Active Low)	This signal is provided to enable multi-slave connections to the MISO pin. The MOSI and SCLK pins can be connected to multiple slaves, and the SS_ input selects which slave receives the input data and drives the MISO line.

### 18.1.2 SPI Master Function

The SPI Master (SPIM) offers SPI operating modes 0-3. By default, the most significant bit (MSb) of the data byte is shifted out first. An additional option can be set to reverse the direction and shift the data byte out the least significant bit (LSb) first. (Refer to the timing diagrams for this function on page [152](#).)

When configured for SPIM, DR0 functions as a Shift register with input from the DATA input (MISO) and output to the primary output F1 (MOSI). DR1 is the TX Buffer register and DR2 is the RX Buffer register.

The SPI protocol requires data to be registered at the device input, on the opposite edge of the clock that operates the output shifter. An additional register (RXD), at the input to the DR0 Shift register, has been implemented for this purpose. This register stores received data for one-half cycle before it is clocked into the Shift register.

The SPIM controls data transmission between master and slave because it generates the bit clock for internal clocking and for clocking the SPIS. The bit clock is derived from the CLK input selection.

There are four control bits and four status bits in the Control register (SPI\_CR) that provide for device interfacing and synchronization.

The SPIM hardware has no support for driving the Slave Select (SS\_) signal. The behavior and use of this signal is application and device dependent and, if required, must be implemented in firmware.

#### 18.1.2.1 Usability Exceptions

The following are usability exceptions for the SPI Protocol function.

- The SPI\_RXR (RX Buffer) register is not writeable.
- The SPI\_TXR (TX Buffer) register is not readable.

### 18.1.2.2 Block Interrupt

The SPIM block has a selection of two interrupt sources: interrupt on TX Reg Empty (default) or interrupt on SPI Complete. Mode bit 1 in the Function register controls the selection. These modes are discussed in detail in [SPIM Timing on page 152](#).

If SPI Complete is selected as the block interrupt, the Control register must be read in the interrupt routine so that this status bit is cleared; otherwise, no subsequent interrupts are generated.

### 18.1.3 SPI Slave Function

The SPI Slave (SPIS) offers SPI operating modes 0-3. By default, the MSb of the data byte is shifted out first. An additional option can be set to reverse the direction and shift the data byte out LSb first. (Refer to the timing diagrams for this function on page [157](#).)

The SPI protocol requires data to be registered at the device input, on the opposite edge of the clock that operates the output shifter. An additional register (RXD), at the input to the DR0 Shift register, is implemented for this purpose. This register stores received data for one-half cycle before it is clocked into the Shift register.

The SPIS function derives all clocking from the SCLK input (typically an external SPI Master). This means that the master must initiate all transmissions. For example, to read a byte from the SPIS, the master must send a byte.

There are four control bits and four status bits in the Control register (SPI\_CR) that provide for device interfacing and synchronization.

There is an additional data input in the SPIS, Slave Select (SS\_), which is an active low signal. SS\_ must be asserted to enable the SPIS to receive and transmit. SS\_ has two high level functions: 1) To allow for the selection of a given slave in a multi-slave environment, and 2) To provide additional clocking for TX data queuing in SPI modes 0 and 1.

SS\_ may be controlled from an external pin or can be controlled by way of user firmware.

When SS\_ is negated, the SPIS ignores any MOSI/SCLK input from the master. In addition, the SPIS state machine is reset and the MISO output is forced to idle at logic 1. This allows for a wired-AND connection in a multi-slave environment. Note that if High Z output is required when the slave is not selected, this behavior must be implemented in firmware with I/O writes to the Port Drive register.

#### 18.1.3.1 Usability Exceptions

The following are usability exceptions for the SPI Slave function.

- The SPI\_RXR (RX Buffer) register is not writeable.
- The SPI\_TXR (TX Buffer) register is not readable.

### 18.1.3.2 Block Interrupt

The SPIS block has a selection of two interrupt sources: Interrupt on TX Reg Empty (default) or interrupt on SPI Complete (same selection as the SPIM). Mode bit 1 in the Function register controls the selection.

If SPI Complete is selected as the block interrupt, the Control register must still be read in the interrupt routine so that this status bit is cleared; otherwise, no subsequent interrupts are generated.

### 18.1.4 Input Synchronization

All pin inputs are double synchronized to SYSCLK by default. Synchronization can be bypassed by setting the BYPS bit in the SPI\_CFG register.

---

## 18.2 Register Definitions

The following registers are associated with the SPI and are listed in address order. The register descriptions have an associated register table showing the bit structure for that register. For a complete table of SPI registers, refer to the [Summary Table of the System Resource Registers on page 106](#).

### Data Registers

#### 18.2.1 SPI\_TXR Register

Address	Name	Bit 7	Bit 6	Bit 5	Bit 4	Bit 3	Bit 2	Bit 1	Bit 0	Access
0,29h	SPI_TXR	Data[7:0]								W : 00

The SPI Transmit Data Register (SPI\_TXR) is the SPI's transmit data register.

**Bits 7 to 0: Data[7:0].** These bits encompass the SPI Transmit register. They are discussed by function type in [Table 18-2](#) and [Table 18-3](#).

For additional information, refer to the [SPI\\_TXR register on page 190](#).

## 18.2.2 SPI\_RXR Register

Address	Name	Bit 7	Bit 6	Bit 5	Bit 4	Bit 3	Bit 2	Bit 1	Bit 0	Access
0,2Ah	SPI_RXR	Data[7:0]								R : 00

The SPI Receive Data Register (SPI\_RXR) is the SPI's receive data register. A write to this register clears the RX Reg Full status bit in the Control register (SPI\_CR).

**Bits 7 to 0: Data[7:0].** These bits encompass the SPI Receive register. They are discussed by function type in [Table 18-2](#) and [Table 18-3](#).

For additional information, refer to the [SPI\\_RXR register on page 191](#).

### 18.2.2.1 SPI Master Data Register Definitions

There are two 8-bit Data registers and one 8-bit Control/Status register. [Table 18-2](#) explains the meaning of the Transmit and Receive registers in the context of SPIM operation.

Table 18-2. SPIM Data Register Descriptions

Name	Function	Description
SPI_TXR	TX Buffer	Write only register. If no transmission is in progress and this register is written to, the data from this register is loaded into the Shift register on the following clock edge, and a transmission is initiated. If a transmission is currently in progress, this register serves as a buffer for TX data. This register must only be written to when TX Reg Empty status is set and the write clears the TX Reg Empty status bit in the Control register. When the data is transferred from this register to the Shift register, then TX Reg Empty status is set.
SPI_RXR	RX Buffer	Read only register. When a byte transmission/reception is complete, the data in the shifter is transferred into the RX Buffer register and RX Reg Full status is set in the Control register. A read from this register clears the RX Reg Full status bit in the Control register.

### 18.2.2.2 SPI Slave Data Register Definitions

There are two 8-bit Data registers and one 8-bit Control/Status register. [Table 18-3](#) explains the meaning of the Transmit and Receive registers in the context of SPIS operation.

Table 18-3. SPIS Data Register Descriptions

Name	Function	Description
SPI_TXR	TX Buffer	Write only register. This register must only be written to when TX Reg Empty status is set and the write clears the TX Reg Empty status bit in the Control register. When the data is transferred from this register to the Shift register, then TX Reg Empty status is set.
SPI_RXR	RX Buffer	Read only register. When a byte transmission/reception is complete, the data in the shifter is transferred into the RX Buffer register and RX Reg Full status is set in the Control register. A read from this register clears the RX Reg Full status bit in the Control register.

## Control Register

### 18.2.3 SPI\_CR Register

Address	Name	Bit 7	Bit 6	Bit 5	Bit 4	Bit 3	Bit 2	Bit 1	Bit 0	Access
0,2Bh	<a href="#">SPI_CR</a>	LSb First	Overrun	SPI Complete	TX Reg Empty	RX Reg Full	Clock Phase	Clock Polarity	Enable	# : 00

#### LEGEND

# Access is bit specific. Refer to the register detail for additional information.

The SPI Control Register (SPI\_CR) is the SPI's control register.

**Bit 7: LSb First.** This bit determines how the serial data is shifted out, either LSb or MSb first.

**Bit 6: Overrun.** This status bit indicates whether or not there was a receive buffer overrun. A read from the receive buffer after each received byte must be performed before the reception of the next byte in order to avoid an overrun condition.

**Bit 5: SPI Complete.** This status bit indicates the completion of a transaction. A read from this register clears this bit.

**Bit 4: TX Reg Empty.** This status bit indicates whether or not the Transmit register is empty.

**Bit 3: RX Reg Full.** This status bit indicates a Receive register full condition.

**Bit 2: Clock Phase.** This bit determines the edge (rising or falling) on which the data changes.

**Bit 1: Clock Polarity.** This bit determines the logic level the clock codes to in its idle state.

**Bit 0: Enable.** This bit enables the SPI block.

For additional information, refer to the [SPI\\_CR register on page 192](#).

#### 18.2.3.1 SPI Control Register Definitions

Table 18-4. SPI Control Register Descriptions

Bit #	Name	Access	Description
7	LSb First	Read/Write	0 = Data shifted out MSb First. 1 = Data shifted out LSb First.
6	Overrun	Read Only	0 = No overrun. 1 = Indicates new byte received before previous one is read.
5	SPI Complete	Read Only	0 = Transaction in progress. 1 = Transaction is complete. Reading SPI_CR clears this bit.
4	TX Reg Empty	Read Only	0 = TX register is full. 1 = TX register is empty. Writing SPI_TXR register clears this bit.
3	RX Reg Full	Read Only	0 = RX register is not full. 1 = RX register is full. Reading SPI_RXR register clears this bit.
2	Clock Phase	Read/Write	0 = Data changes on trailing edge. 1 = Data changes on leading clock edge.
1	Clock Polarity	Read/Write	0 = Non-inverted, clock idles low (modes 0, 2). 1 = Inverted, clock idles high (modes 1, 3).
0	Enable	Read/Write	0 = Disable SPI function. 1 = Enable SPI function.

## Configuration Register

The configuration block contains 1 register. This register must not be changed while the block is enabled. Note that the SPI Configuration register is located in bank 1 of the PSoC device's memory map.

### 18.2.4 SPI\_CFG Register

Address	Name	Bit 7	Bit 6	Bit 5	Bit 4	Bit 3	Bit 2	Bit 1	Bit 0	Access
1,29h	<a href="#">SPI_CFG</a>	Clock Sel[2:0]			Bypass	SS_	SS_EN_	Int Sel	Slave	RW : 00

The SPI Configuration Register (SPI\_CFG) is used to configure the SPI.

**Bits 7 to 5: Clock Sel [2:0].** Clock Selection. These bits determine the operating frequency of the SPI Master.

**Bit 4: Bypass.** This bit determines whether or not the inputs are synchronized to SYSCLK.

**Bit 3: SS\_.** Slave Select. This bit determines the logic value of the SS\_ signal when the SS\_EN\_ signal is asserted (SS\_EN\_ = 0).

**Bit 2: SS\_EN\_.** Slave Select Enable. This active low bit determines if the slave select (SS\_) signal is driven internally. If it is driven internally, its logic level is determined by the SS\_ bit. If it is driven externally, its logic level is determined by the external pin.

**Bit 1: Int Sel.** Interrupt Select. This bit selects which condition produces an interrupt.

**Bit 0: Slave.** This bit determines whether the block functions as a master or slave.

For additional information, refer to the [SPI\\_CFG register on page 261](#).

#### 18.2.4.1 SPI Configuration Register Definitions

Table 18-5. SPI Configuration Register Descriptions

Bit #	Name	Access	Mode	Description
7:5	Clock Sel	Read/Write	Master	SYSCLK 000b / 2 001b / 4 010b / 8 011b / 16 100b / 32 101b / 64 110b / 128 111b / 256
4	Bypass	Read/Write	Master/Slave	0 = All pin inputs are doubled, synchronized. 1 = Input synchronization is bypassed.
3	SS_	Read/Write	Slave	0 = Slave selected. 1 = Slave selection is determined from external SS_ pin.
2	SS_EN_	Read/Write	Slave	0 = Slave selection determined from SS_ bit. 1 = Slave selection determined from external SS_ pin.
1	Int Sel	Read/Write	Master/Slave	0 = Interrupt on TX Reg Empty. 1 = Interrupt on SPI Complete.
0	Slave	Read/Write	Master/Slave	0 = Operates as a master. 1 = Operates as a slave.

### 18.2.5 Related Registers

- [IO\\_CFG1 Register on page 272](#).

## 18.3 Timing Diagrams

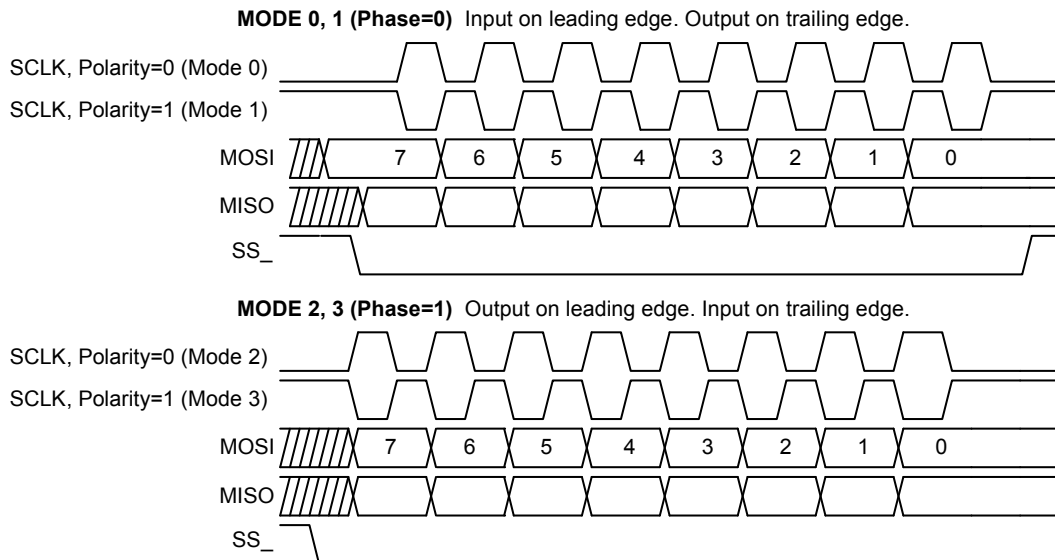
### 18.3.1 SPI Mode Timing

Figure 18-3 shows the SPI modes that are typically defined as 0, 1, 2, or 3. These mode numbers are an encoding of two control bits: Clock Phase and Clock Polarity.

Clock Phase indicates the relationship of the clock to the data. When the clock phase is '0', it means that the data is registered as an input on the leading edge of the clock and the next data is output on the trailing edge of the clock. When the clock phase is '1', it means that the next data is output on the leading edge of the clock and that data is registered as an input on the trailing edge of the clock.

Clock Polarity controls clock inversion. When clock polarity is set to '1', the clock idle state is high.

Figure 18-3. SPI Mode Timing



### 18.3.2 SPIM Timing

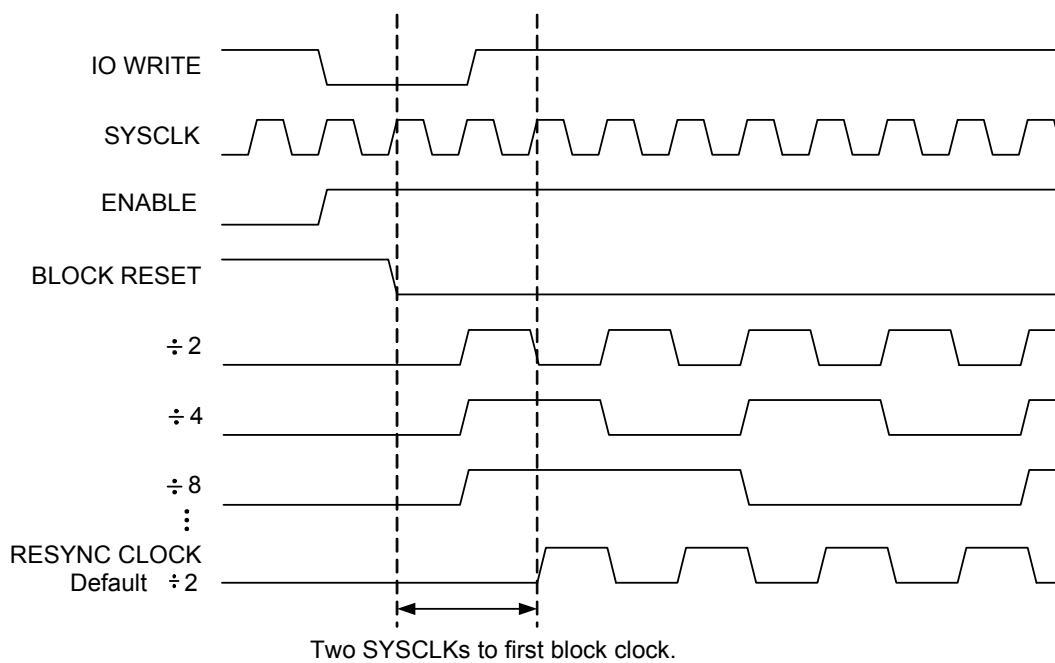
**Enable/Disable Operation.** As soon as the block is configured for SPIM, the primary output is the MSb or LSb of the Shift register, depending on the LSb First configuration in bit 7 of the Control register. The auxiliary output is '1' or '0', depending on the idle clock state of the SPI mode. This is the idle state.

**Clock Generation.** Figure 18-4 illustrates the SPIM input clocking scheme. The SYSCLK pin is an input into an eight-stage ripple divider that provides the baud rate selections. When the block is disabled, all internal state is held in a reset state.

When the Enable bit in the SPI\_CR register is set, the reset is synchronously released and the clock generation is enabled. All eight taps from the ripple divider are selectable (/2, /4, /8, /16, /32, /64, /128, /256) from the Clock Sel bits in the SPI\_CFG register. The selected divider tap is resynchronized to SYSCLK. The resulting clock is routed to all of the synchronous elements in the design.

When the block is disabled, the SCLK and MOSI outputs revert to their idle state. All internal state is reset (including CR0 status) to its configuration-specific reset state, except for DR0, DR1, and DR2, which are unaffected.

Figure 18-4. SPI Input Clocking





**Normal Operation.** Typical timing for an SPIM transfer is shown in Figure 18-5 and Figure 18-6. The user initially writes a byte to transmit when TX Reg Empty status is true. If no transmission is currently in progress, the data is loaded into the shifter and the transmission is initiated. The TX Reg Empty status is asserted again and the user is allowed to write the next byte to be transmitted to the TX Buffer register.

After the last bit is output, if TX Buffer data is available with one-half clock setup time to the next clock, a new byte transmission is initiated. An SPIM block receives a byte at the same time that it sends one. The SPI Complete or RX Reg Full can be used to determine when the input byte has been received.

Figure 18-5. Typical SPIM Timing in Mode 0 and 1

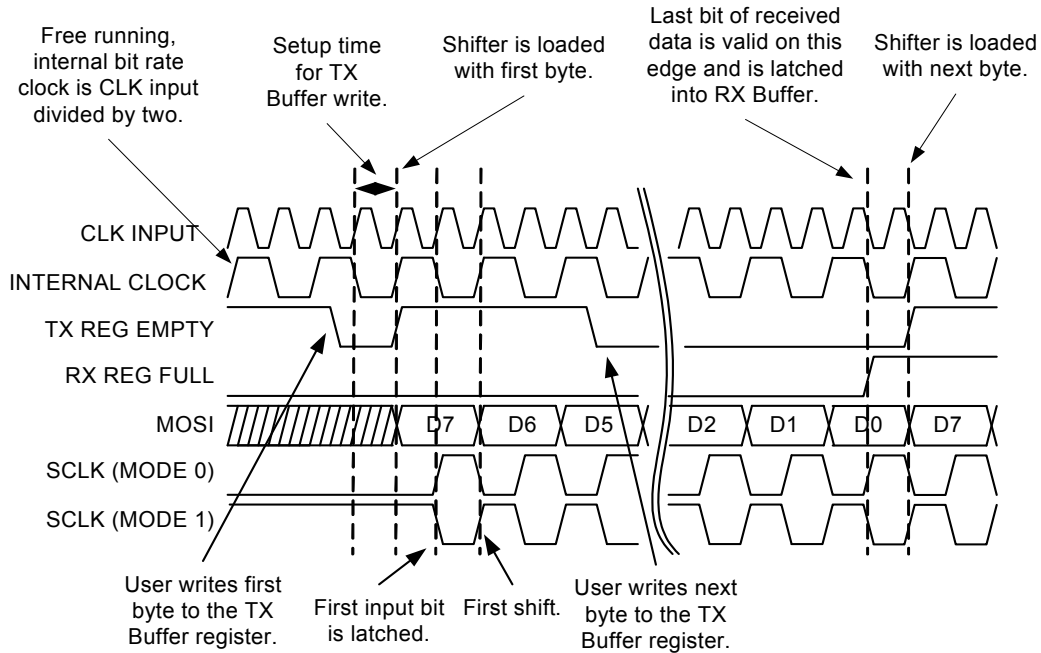
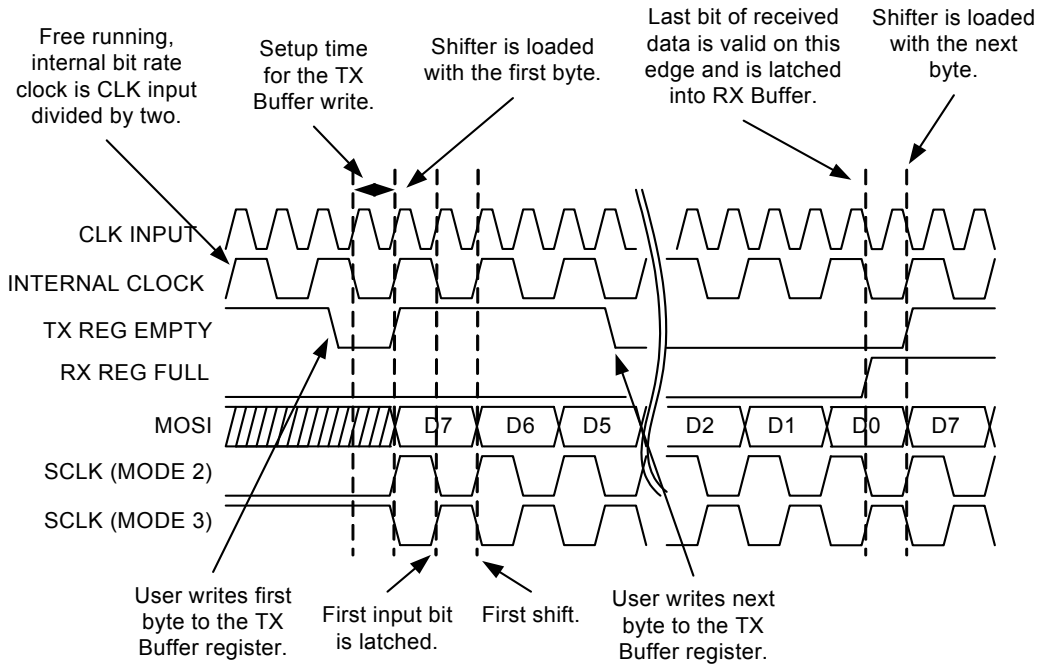


Figure 18-6. Typical SPIM Timing in Mode 2 and 3



**Status Generation and Interrupts.** There are four status bits in an SPI block: TX Reg Empty, RX Reg Full, SPI Complete, and Overrun.

TX Reg Empty indicates that a new byte can be written to the TX Buffer register. When the block is enabled, this status bit is immediately asserted. This status bit is cleared when the user writes a byte of data to the TX Buffer register. TX Reg Empty is a control input to the state machine and, if a transmission is not already in progress, the assertion of this control signal initiates one. This is the default SPIM block interrupt. However, an initial interrupt is not generated when the block is enabled. The user must write a byte to the TX Buffer register and that byte must be loaded into the shifter before interrupts generated from the TX Reg Empty status bit are enabled.

RX Reg Full is asserted on the edge that captures the eighth bit of receive data. This status bit is cleared when the user reads the RX Buffer register (DR2).

SPI Complete is an optional interrupt and is generated when eight bits of data and clock have been sent. In modes 0 and 1, this occurs one-half cycle after RX Reg Full is set; because in these modes, data is latched on the leading edge of the clock and there is an additional one-half cycle remaining to complete that clock. In modes 2 and 3, this occurs at the same edge that the receive data is latched. This signal may be used to read the received byte or it may be used by the SPIM to disable the block after data transmission is complete.

Overrun status is set if RX Reg Full is still asserted from a previous byte when a new byte is about to be loaded into the RX Buffer register. Because the RX Buffer register is imple-

mented as a latch, Overrun status is set one-half bit clock before RX Reg Full status.

See [Figure 18-7](#) and [Figure 18-8](#) for status timing relationships.

Figure 18-7. SPI Status Timing for Modes 0 and 1

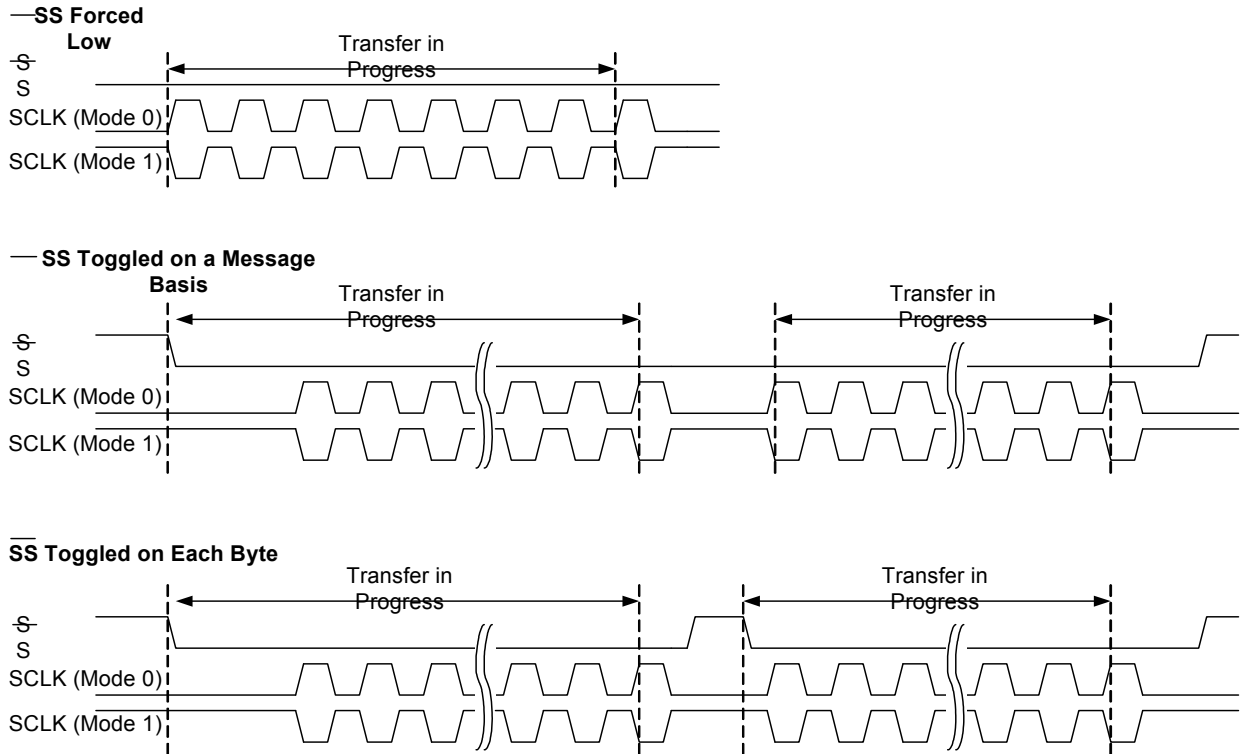
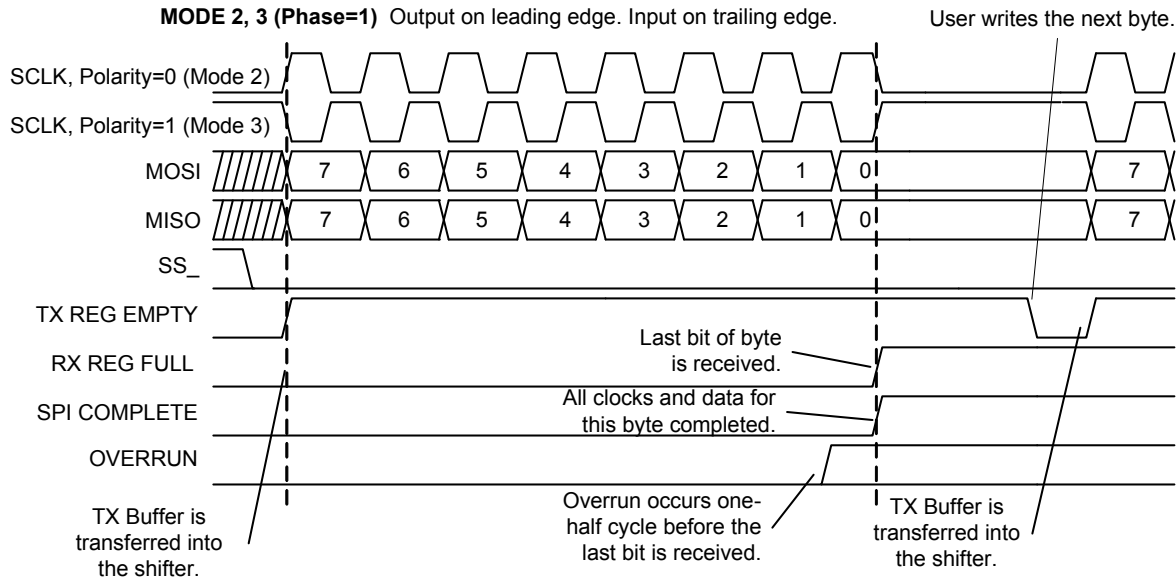


Figure 18-8. SPI Status Timing for Modes 2 and 3



### 18.3.3 SPIS Timing

**Enable/Disable Operation.** As soon as the block is configured for SPI Slave and before enabling, the MISO output is set to idle at logic 1. The Enable bit must be set and the SS\_ asserted (either driven externally or forced by firmware programming) for the block to output data. When enabled, the primary output is the MSb or LSb of the Shift register, depending on the LSb First configuration in bit 7 of the Control register. The auxiliary output of the SPIS is always forced into tristate.

Since the SPIS has no internal clock, it must be enabled with setup time to any external master supplying the clock. Setup time is also required for a TX Buffer register write before the first edge of the clock or the first falling edge of SS\_, depending on the mode. This setup time must be assured through the protocol and an understanding of the timing between the master and slave in a system.

When the block is disabled, the MISO output reverts to its idle 1 state. All internal state is reset (including CR0 status) to its configuration-specific reset state, except for DR0, DR1, and DR2, which are unaffected.

**Normal Operation.** Typical timing for an SPIS transfer is shown in Figure 18-9 and Figure 18-10. If the SPIS is primarily being used as a receiver, the RX Reg Full (polling only) or SPI Complete (polling or interrupt) status may be used to determine when a byte has been received. In this way, the SPIS operates identically with the SPIM. However, there are two main areas in which the SPIS operates differently: 1) SPIS behavior related to the SS\_ signal, and 2) TX data queuing (loading the TX Buffer register).

Figure 18-9. Typical SPIS Timing in Modes 0 and 1

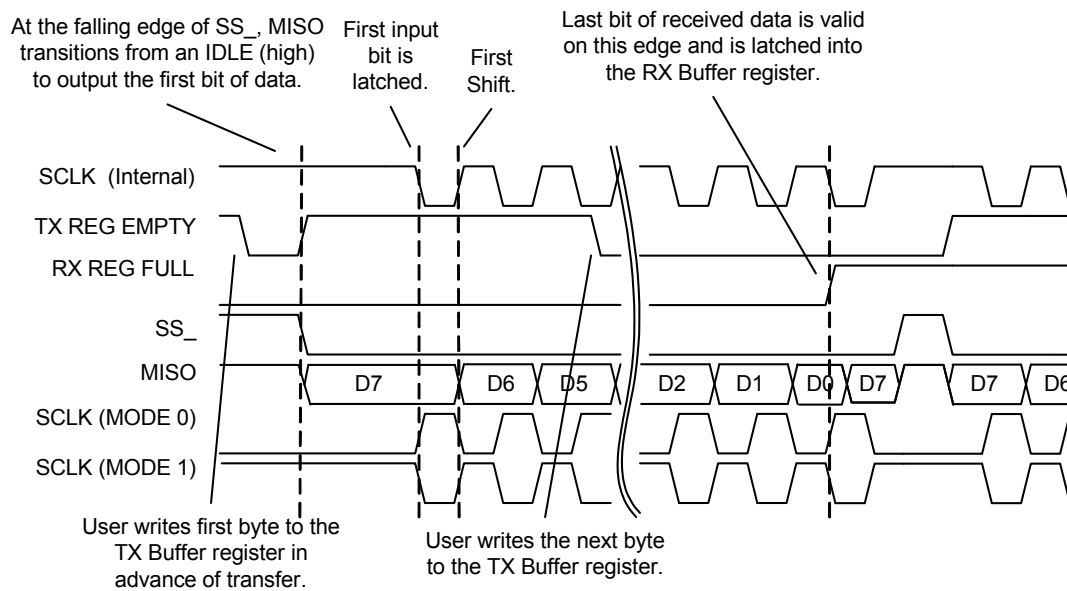
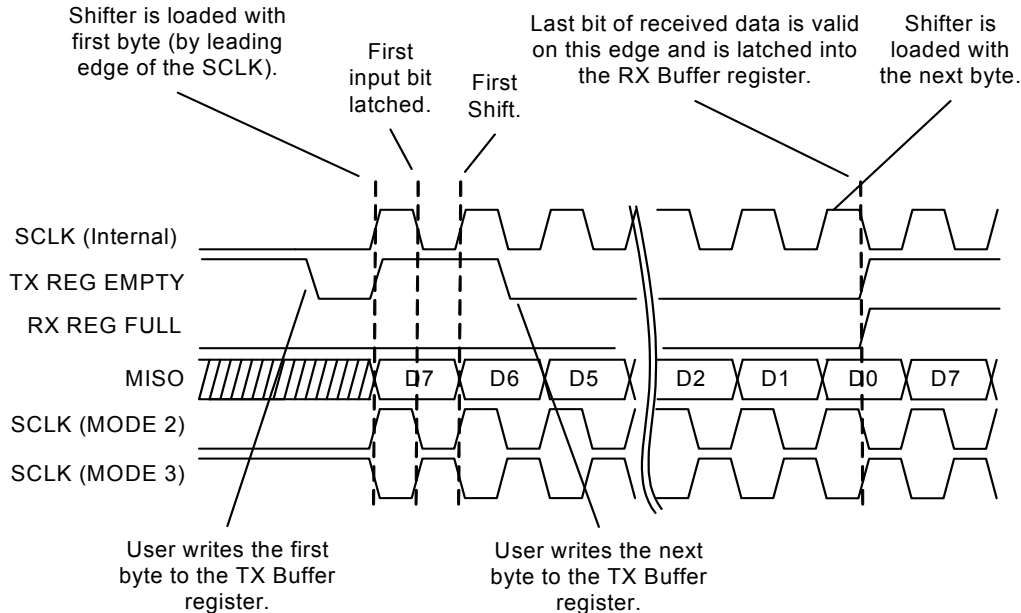


Figure 18-10. Typical SPIS Timing in Modes 2 and 3



**Slave Select (SS\_, Active Low).** Slave Select must be asserted to enable the SPIS for receive and transmit. There are two ways to do this:

- Drive the auxiliary input from a pin (selected by the Aux I/O Select bits in the output register). This gives the SPI master control of the slave selection in a multi-slave environment.
- SS\_ may be controlled in firmware with register writes to the output register. When Aux I/O Enable = 1, Aux I/O Select bit 0 becomes the SS\_ input. This allows the user to save an input pin in single-slave environments.

When SS\_ is negated (whether from an external or internal source), the SPIS state machine is reset and the MISO output is forced to idle at logic 1. In addition, the SPIS ignores any incoming MOSI/SCLK input from the master.

**Status Generation and Interrupts.** There are four status bits in the SPIS block: TX Reg Empty, RX Reg Full, SPI Complete, and Overrun. The timing of these status bits are identical to the SPIM, with the exception of TX Reg Empty, which is covered in the section on TX data queuing.

**Status Clear On Read.** Refer to the same subsection in [SPIM Timing on page 152](#).

**TX Data Queuing.** Most SPI applications call for data to be sent back from the slave to the master. Writing firmware to accomplish this requires an understanding of how the Shift register is loaded from the TX Buffer register.

All modes use the following mechanism: 1) If there is no transfer in progress, 2) if the shifter is empty, and 3) if data is available in the TX Buffer register, the byte is loaded into the shifter.

The only difference between the modes is that the definition of “transfer in progress” is slightly different between modes 0 and 1, and modes 2 and 3.

Figure 18-11 illustrates TX data loading in modes 0 and 1. A transfer in progress is defined to be from the falling edge of  $\overline{SS}_-$  to the point at which the RX Buffer register is loaded with the received byte. This means that to send a byte in the next transfer, it must be loaded into the TX Buffer register before the falling edge of  $\overline{SS}_-$ . This ensures a minimum setup time for the first bit, since the leading edge of the first SCLK must latch in the received data. If  $\overline{SS}_-$  is not toggled between each byte or is forced low through the configuration register, the leading edge of SCLK is used to define the start of transfer. However, in this case, the user must provide the required setup time (one-half clock minimum before the leading edge) with a knowledge of system latencies and response times.

Figure 18-11. Mode 0 and 1 Transfer in Progress

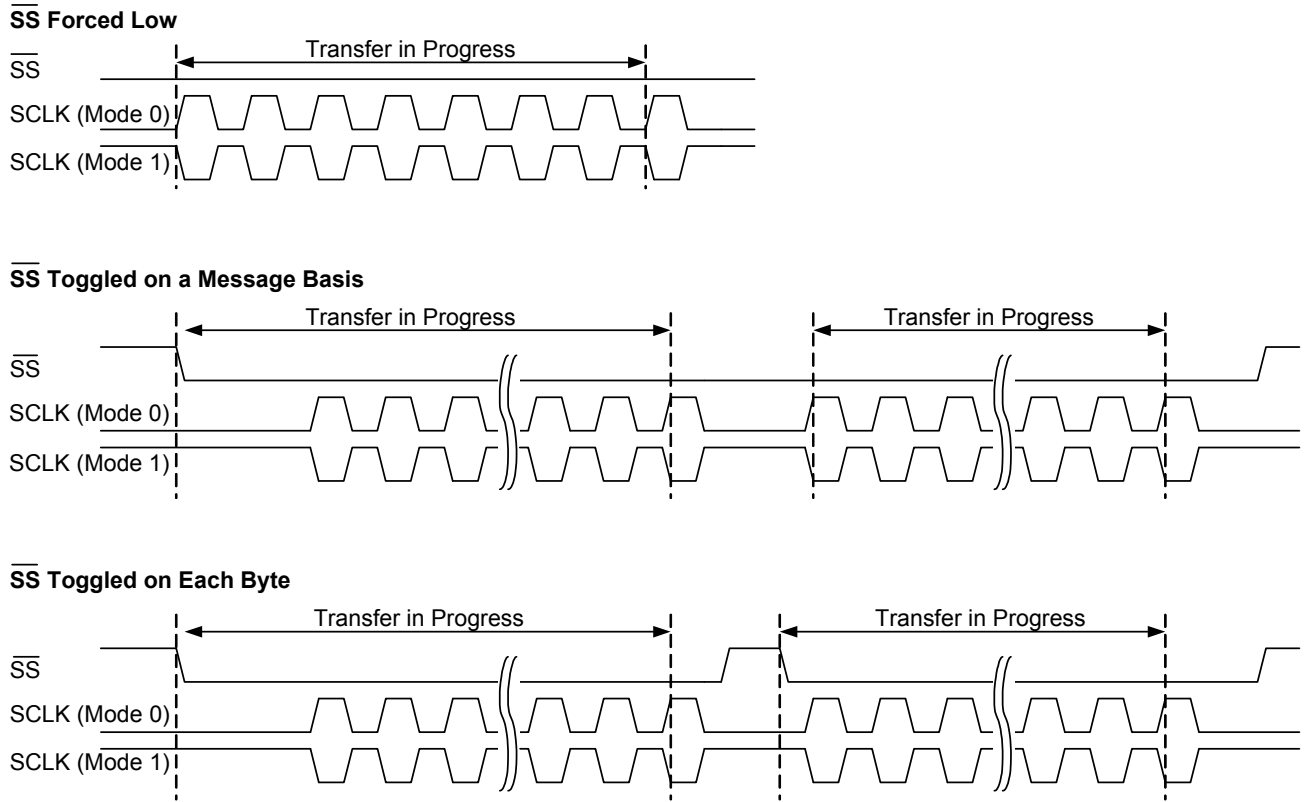
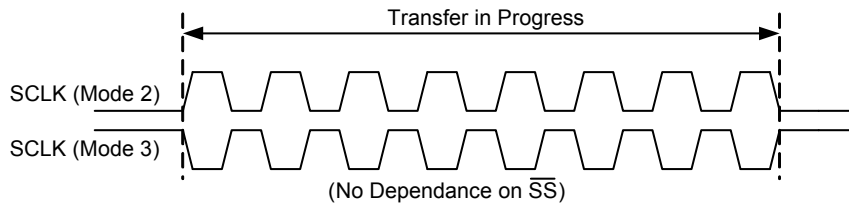


Figure 18-12 illustrates TX data loading in modes 2 and 3. In this case, a transfer in progress is defined to be from the leading edge of the first SCLK to the point at which the RX Buffer register is loaded with the received byte. Loading the shifter by the leading edge of the clock has the effect of providing the required one-half clock setup time, as the data is latched into the receiver on the trailing edge of the SCLK in these modes.

Figure 18-12. Mode 2 and 3 Transfer in Progress







# 19. Programmable Timer

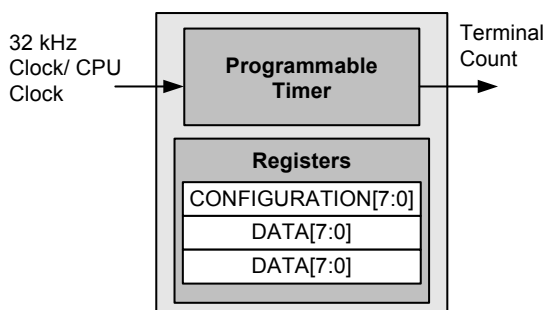


This chapter presents the Programmable Timer and its associated registers. For a complete table of the programmable timer registers, refer to the [Summary Table of the System Resource Registers on page 106](#). For a quick reference of all PSoC registers in address order, refer to the [Register Reference chapter on page 187](#).

## 19.1 Architectural Description

The device has three programmable timers (TIMER0, TIMER1, TIMER2). All three timers are individually controlled. The programmable timers are 16-bit down counters for the device. TIMER0 has a terminal count output. The timers have one configuration and two data registers associated with them. You start these timers by setting the START bit in their configuration registers (PT0\_CFG, PT1\_CFG, PT2\_CFG). When started, the timers always start counting down from the value loaded into their data registers (PT\*\_DATA1, PT\*\_DATA0). The timers have a one-shot mode, in which the timers complete one full count cycle and stop. In one-shot mode the START bit in the configuration register is cleared after completion of one full count cycle. Setting the START bit restarts the timer.

Figure 19-1. Programmable Timer Block Diagram



### 19.1.1 Operation

When started, the programmable timer loads the value contained in its data registers and counts down to its terminal count of zero. The timers output an active high terminal count pulse for one clock cycle upon reaching the terminal count. The low time of the terminal count pulse is equal to the loaded decimal count value, multiplied by the clock period ( $TC_{pw} = COUNT\ VALUE_{decimal} * CLK_{period}$ ). The period of the terminal count output is the pulse width of the terminal count, plus one clock period ( $TC_{period} = TC_{pw} + CLK_{period}$ ). Refer to [Figure 19-2](#) and [Figure 19-3](#).

Only TIMER0 outputs this terminal count output. TIMER1 and TIMER2 do not have a terminal count output.

The timers work on either the 32 kHz clock or CPU clock. This clock selection is done using the CLKSEL bits in the respective configuration registers (PT0\_CFG, PT1\_CFG, PT2\_CFG). Make clock selections before setting the START bit so that the timing is not affected and clock frequency does not change while the timer is running.

TIMER1 works on prescaled IMO clock (IMO-P) when the CSD\_MODE bit in the CS\_CR0 (0,A0) register is set to '1'. TIMER1 outputs the START signal, which is used in the TrueTouch module during CSD mode. Refer to [11.1.1.5 Sigma Delta on page 89](#) for more details on TrueTouch CSD mode. When CSD\_MODE is set to '0', it works on either the 32 kHz clock or CPU clock, depending on the CLKSEL bit setting.

Figure 19-2. Continuous Operation Example

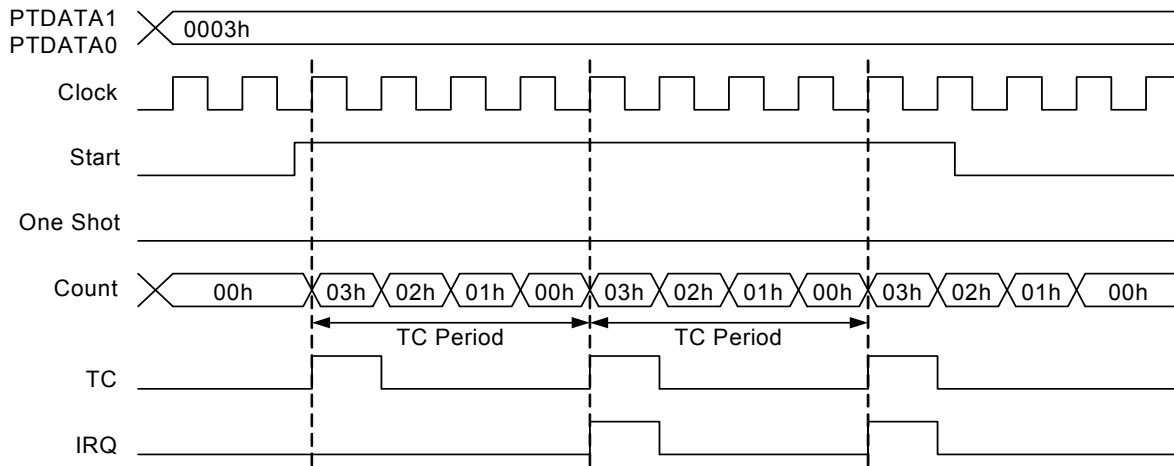
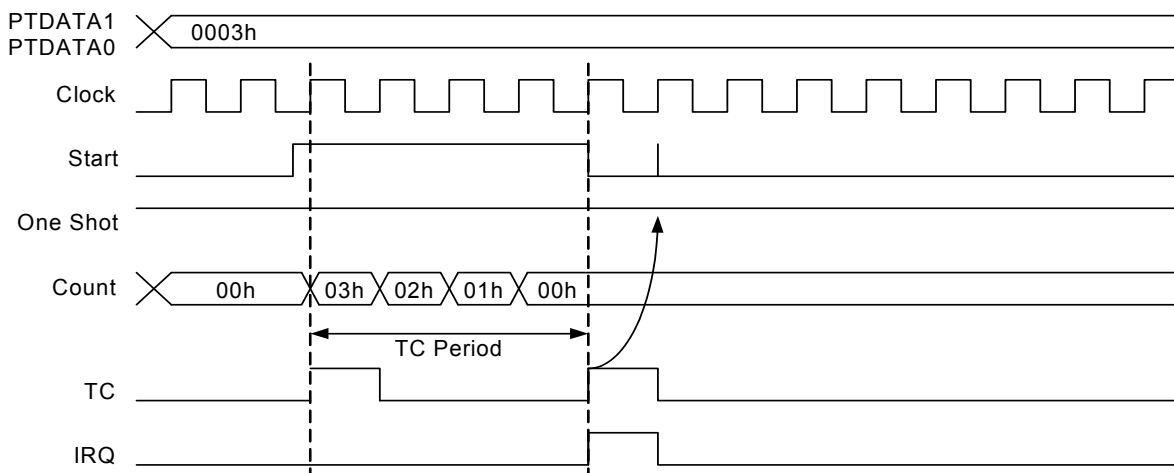


Figure 19-3. One-Shot Operation Example



## 19.2 Register Definitions

The following registers are associated with the Programmable Timer and are listed in address order. The register descriptions have an associated register table showing the bit structure for that register. The bits in the tables that are grayed out are reserved bits and are not detailed in the register descriptions that follow. Reserved bits must always be written with a value of '0'. For a complete table of programmable timer registers, refer to the [Summary Table of the System Resource Registers on page 106](#).

### 19.2.1 PT0\_CFG Register

Address	Name	Bit 7	Bit 6	Bit 5	Bit 4	Bit 3	Bit 2	Bit 1	Bit 0	Access
0,B0h	PT0_CFG						CLKSEL	One Shot	START	RW : 0

The Programmable Timer Configuration Register (PT0\_CFG) configures the PSoC's programmable timer.

**Bit 2: CLKSEL.** This bit determines if the timer runs on the 32 kHz clock or CPU clock. If the bit is set to 1'b1, the timer runs on the CPU clock, otherwise, the timer runs on the 32 kHz clock.

**Bit 1: One Shot.** This bit determines if the timer runs in one-shot mode or continuous mode. In one-shot mode the timer completes one full count cycle and terminates. Upon termination, the START bit in this register is cleared. In continuous mode, the timer reloads the count value each time upon completion of its count cycle and repeats.

**Bit 0: START.** This bit starts the timer counting from a full count. The full count is determined by the value loaded into the data registers. This bit is cleared when the timer is running in one-shot mode upon completion of a full count cycle.

For additional information, refer to the [PT0\\_CFG register on page 221](#).

### 19.2.2 PT1\_CFG Register

Address	Name	Bit 7	Bit 6	Bit 5	Bit 4	Bit 3	Bit 2	Bit 1	Bit 0	Access
0,B3h	PT1_CFG						CLKSEL	One Shot	START	RW : 0

The Programmable Timer Configuration Register (PT1\_CFG) configures the PSoC's programmable timer.

**Bit 2: CLKSEL.** This bit determines if the timer runs on the 32 kHz clock or CPU clock. If the bit is set to 1'b1, the timer runs on the CPU clock, otherwise, the timer runs on the 32 kHz clock.

**Bit 1: One Shot.** This bit determines if the timer runs in one-shot mode or continuous mode. In one-shot mode the timer completes one full count cycle and terminates. Upon termination, the START bit in this register is cleared. In continuous mode, the timer reloads the count value each time upon completion of its count cycle and repeats.

**Bit 0: START.** This bit starts the timer counting from a full count. The full count is determined by the value loaded into the data registers. This bit is cleared when the timer is running in one-shot mode upon completion of a full count cycle.

For additional information, refer to the [PT1\\_CFG register on page 224](#).

### 19.2.3 PT2\_CFG Register

Address	Name	Bit 7	Bit 6	Bit 5	Bit 4	Bit 3	Bit 2	Bit 1	Bit 0	Access
0,B6h	<a href="#">PT2_CFG</a>						CLKSEL	One Shot	START	RW : 0

The Programmable Timer Configuration Register (PT2\_CFG) configures the PSoC's programmable timer.

**Bit 2: CLKSEL.** This bit determines if the timer runs on the 32 kHz clock or CPU clock. If the bit is set to 1'b1, the timer runs on the CPU clock, otherwise, the timer runs on the 32 kHz clock.

**Bit 1: One Shot.** This bit determines if the timer runs in one-shot mode or continuous mode. In one-shot mode the timer completes one full count cycle and terminates. Upon termination, the START bit in this register is cleared. In con-

tinuous mode, the timer reloads the count value each time upon completion of its count cycle and repeats.

**Bit 0: START.** This bit starts the timer counting from a full count. The full count is determined by the value loaded into the data registers. This bit is cleared when the timer is running in one-shot mode upon completion of a full count cycle.

For additional information, refer to the [PT2\\_CFG register on page 225](#).

### 19.2.4 PTx\_DATA0 Register

Address	Name	Bit 7	Bit 6	Bit 5	Bit 4	Bit 3	Bit 2	Bit 1	Bit 0	Access
0,B2h	<a href="#">PT0_DATA0</a>									DATA[7:0] RW : 00
0,B5h	<a href="#">PT1_DATA0</a>									DATA[7:0] RW : 00
0,B8h	<a href="#">PT2_DATA0</a>									DATA[7:0] RW : 00

The Programmable Timer Data Register 0 (PT0\_DATA0, PT1\_DATA0, PT2\_DATA0) holds the lower 8 bits of the programmable timer's count value.

**Bits 7 to 0: DATA[7:0].** This is the lower byte of a 16-bit timer. The upper byte is in the corresponding PTxDATA1 register.

For additional information, refer to the [PT0\\_DATA0 register on page 223](#), [PT1\\_DATA0 register on page 223](#) and [PT2\\_DATA0 register on page 223](#).

### 19.2.5 PTx\_DATA1 Register

Address	Name	Bit 7	Bit 6	Bit 5	Bit 4	Bit 3	Bit 2	Bit 1	Bit 0	Access
0,B1h	<a href="#">PT0_DATA1</a>									DATA[7:0] RW : 00
0,B4h	<a href="#">PT1_DATA1</a>									DATA[7:0] RW : 00
0,B7h	<a href="#">PT2_DATA1</a>									DATA[7:0] RW : 00

The Programmable Timer Data Register 1 (PT0\_DATA1, PT1\_DATA1, PT2\_DATA1) holds the 8 bits of the programmable timer's count value for the device

**Bits 7 to 0: DATA[7:0].** This is the upper byte of a 16-bit timer. The lower byte is in the corresponding PTx\_DATA0 register.

For additional information, refer to the [PT0\\_DATA1 register on page 222](#), [PT1\\_DATA1 register on page 222](#), and [PT2\\_DATA1 register on page 222](#).

# 20. Full-Speed USB



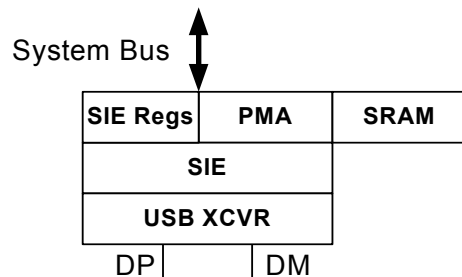
This chapter explains the Full-Speed USB (Universal Serial Bus) resource and its associated registers. For a quick reference of all PSoC registers in address order, refer to the [Register Reference chapter on page 187](#).

## 20.1 Architectural Description

The PSoC USB system resource adheres to the USB 2.0 Specification for full-speed devices operating at 12 Mbps with one upstream port and one USB address. PSoC USB consists of these components:

- Serial Interface Engine (SIE) block
- PSoC Memory Arbiter (PMA) block
- 512 bytes of dedicated SRAM
- A Full-Speed USB Transceiver with internal regulator and two dedicated USB pins

Figure 20-1. USB Block Diagram



At the PSoC system level, the full-speed USB system resource interfaces to the rest of the PSoC by way of the M8C's register access instructions and to the outside world by way of the two USB pins. The SIE supports nine endpoints including a bidirectional control endpoint (endpoint 0) and eight uni-directional data endpoints (endpoints 1 to 8). The uni-directional data endpoints are individually configurable as either IN or OUT.

## 20.2 Application Description

The individual components and issues of the USB system are described in detail in the following sections.

### 20.2.1 USB SIE

The USB Serial Interface Engine (SIE) allows the PSoC device to communicate with the USB host at full-speed data rates (12 Mbps). The SIE simplifies the interface to USB traffic by automatically handling the following USB processing tasks without firmware intervention:

- Translates the encoded received data and formats the data to be transmitted on the bus.
- Generates and checks CRCs. Incoming packets failing checksum verification are ignored.
- Checks addresses. Ignores all transactions not addressed to the device.
- Sends appropriate ACK/NAK/Stall handshakes.
- Identifies token type (SETUP, IN, OUT) and sets the appropriate token bit once a valid token is received.
- Identifies Start-of-Frame (SOF) and saves the frame count.
- Sends data to or retrieves data from the USB SRAM, by way of the PSoC Memory Arbiter (PMA).

Firmware is required to handle various parts of the USB interface. The SIE issues interrupts after key USB events to direct firmware to appropriate tasks:

- Fill and empty the USB data buffers in USB SRAM.
- Enable PMA channels appropriately.
- Coordinate enumeration by decoding USB device requests.
- Suspend and resume coordination.
- Verify and select data toggle values.

Table 20-1. Mode Encoding for Control and Non-Control Endpoints

Mode	Encoding	SETUP	IN	OUT	Comments
Disable	0000	Ignore	Ignore	Ignore	Ignore all USB traffic to this endpoint.
NAK IN/OUT	0001	Accept	NAK	NAK	NAK IN and OUT token.
Status OUT Only	0010	Accept	STALL	Check	For control endpoint, STALL IN and ACK zero byte OUT.
STALL IN/OUT	0011	Accept	STALL	STALL	For control endpoint, STALL IN and OUT token.
Reserved	0100	Ignore	Ignore	Ignore	
ISO OUT	0101	Ignore	Ignore	Always	Isochronous OUT.
Status IN Only	0110	Accept	TX 0 Byte	STALL	For control endpoint, STALL OUT and send zero byte data for IN token.
ISO IN	0111	Ignore	TX Count	Ignore	Isochronous IN.
NAK OUT	1000	Ignore	Ignore	NAK	Send NAK handshake to OUT token.
ACK OUT (STALL = 0)	1001	Ignore	Ignore	ACK	This mode is changed by the SIE to mode 1000 on issuance of ACK handshake to an OUT.
ACK OUT (STALL = 1)	1001	Ignore	Ignore	STALL	STALL the OUT transfer.
Reserved	1010	Ignore	Ignore	Ignore	
ACK OUT – STATUS IN	1011	Accept	TX0 Byte	ACK	ACK the OUT token or send zero byte data for IN token.
NAK IN	1100	Ignore	NAK	Ignore	Send NAK handshake for IN token.
ACK IN (STALL = 0)	1101	Ignore	TX Count	Ignore	This mode is changed by the SIE to mode 1100 after receiving ACK handshake to an IN data.
ACK IN (STALL = 1)	1101	Ignore	STALL	Ignore	STALL the IN transfer.
Reserved	1110	Ignore	Ignore	Ignore	
ACK IN – Status OUT	1111	Accept	TX Count	Check	Respond to IN data or Status OUT.

## 20.2.2 USB SRAM

The PSoC USB System Resource contains dedicated 512 bytes SRAM. This SRAM is identical to 2 SRAM pages used in the PSoC Core; however, it is not accessible by way of the M8C memory access instructions. The USB's dedicated SRAM may only be accessed by way of the PMA registers. For more information on how to use the USB's dedicated SRAM, see the next section, PSoC Memory Arbiter (PMA).

The USB SRAM contents are not directly affected by any reset, but must be treated as unknown after any POR, WDR, and XRES.

### 20.2.2.1 PSoC Memory Arbiter

The PSoC Memory Arbiter (PMA) is the interface between the USB's dedicated SRAM and the two blocks that access the SRAM: the M8C and the USB SIE. The PMA provides 16 channels to manage data with four Endpoints/8 channels mapped to Page 0 of USB dedicated SRAM and other four Endpoints/8 channels mapped to Page 1 of USB dedicated SRAM. All of the channel registers may be used by the M8C, but the eight non-control USB endpoints are each allocated to a specific set of PMA channel registers. It is the responsibility of the firmware to ensure that the M8C is not accessing a set of channel registers that are in use by the USB SIE.

If the M8C wants to access the same data that an SIE channel is using, two channels must be configured to access the same SRAM address ranges. Table 20-2 shows the mapping between PMA channels and which blocks can use them.

Table 20-2. PMA Channel Assignments

PMA Channel	USB SIE	M8C	Channel Registers (PMAx_xx)
0		Page 0	PMA0_DR, PMA0_RA, PMA0_WA
1	EP1	Page 0	PMA1_DR, PMA1_RA, PMA1_WA
2	EP2	Page 0	PMA2_DR, PMA2_RA, PMA2_WA
3	EP3	Page 0	PMA3_DR, PMA3_RA, PMA3_WA
4	EP4	Page 0	PMA4_DR, PMA4_RA, PMA4_WA
5		Page 0	PMA5_DR, PMA5_RA, PMA5_WA
6		Page 0	PMA6_DR, PMA6_RA, PMA6_WA
7		Page 0	PMA7_DR, PMA7_RA, PMA7_WA
8		Page 1	PMA8_DR, PMA8_RA, PMA8_WA
9	EP5	Page 1	PMA9_DR, PMA9_RA, PMA9_WA
10	EP6	Page 1	PMA10_DR, PMA10_RA, PMA10_WA
11	EP7	Page 1	PMA11_DR, PMA11_RA, PMA11_WA
12	EP8	Page 1	PMA12_DR, PMA12_RA, PMA12_WA
13		Page 1	PMA13_DR, PMA13_RA, PMA13_WA
14		Page 1	PMA14_DR, PMA14_RA, PMA14_WA
15		Page 1	PMA15_DR, PMA15_RA, PMA15_WA

The PMA's purpose is to manage the potentially conflicting SRAM access requests from the M8C and the USB SIE. From a performance standpoint, the PMA guarantees that a continuous stream of move instructions (see ahead), are serviced by the PMA without delay even while the USB SIE is transferring data at its maximum rate in to or out of the dedicated USB SRAM.

When servicing a request, the PMA is in one of two addressing modes. For M8C access the PMA always uses Post-Increment Addressing. After a read or write request is made to the channel's PMAx\_DR register, the PMA automatically increments the pointer into SRAM. For a read access the next value is also automatically prefetched. For USB SIE accesses, the PMA uses an offset addressing mode. In this mode the channel's base address, as stored in the PMAx\_WA and PMAx\_RA registers, is added to the byte count value provided by the USB SIE.

A PMA channel does not have a defined upper limit. It is the responsibility of the firmware to ensure that channels do not access memory outside of the range defined by the application.

During SIE writes to the USB SRAM, the maximum number of bytes written is limited to the count value in the respective endpoint's count registers. This value must be loaded by firmware before data is received.

The rest of the description of the PMA is broken into two parts: the M8C interface and the USB SIE interface, which are described as follows.

### PMA to M8C Interface

The M8C accesses the PMA, and thus the USB's dedicated SRAM, by way of a register interface. Each PMA channel has three registers associated with it as shown in [Table 20-2 on page 166](#). Only the following basic M8C register access instructions may be used with these registers.

```
MOV A, reg[expr]
MOV A, reg[X+expr]
MOV [expr], [expr]
MOV reg[expr], A
MOV reg[X+expr], A
MOV reg[expr], expr
MOV reg[X+expr], expr
```

When the M8C uses a PMA channel to write data into SRAM, follow these steps:

1. Choose a PMA channel that is not allocated to a USB endpoint, or choose a channel where the endpoint is inactive.
2. Write the channel's PMAx\_WA register with the first address in SRAM that must be used by this channel.
3. Write data to the channel's PMAx\_DR register. The PMA logic automatically increments the PMAx\_WA address after each write.

While these steps are executed by the M8C, the USB SIE may be fully active on any other PMA channel.

The M8C may also service another channel and come back to the channel being serviced by the previous steps. To determine the next address that is used when data is written to the channel's PMAx\_DR register, the PMAx\_WA register may be read.

When the M8C uses a PMA channel to read data from SRAM, follow these steps:

1. Choose a PMA channel that is not allocated to a USB endpoint, or choose a channel where the endpoint is inactive.
2. Write the channel's PMAx\_RA register with the first address in SRAM that must be read by this channel.
3. Read data from the channel's PMAx\_DR register. The PMA logic automatically increments the PMAx\_RA address after each read.

When data is read from a PMA channel the data is prefetched; therefore, the channel must be pre-loaded prior to the first M8C read that expects to get actual data. This pre-loading is taken care of automatically when the PMAx\_RA register is written. This pre-loading mechanism is actually the only difference between the PMAx\_RA and PMAx\_WA registers.

### PMA to USB SIE Interface

The USB SIE accesses the PMA, and thus the dedicated USB SRAM, by way of a private interface and does not affect the PSoC Core address or data bus. The only area of contention that is not automatically arbitrated between the M8C, PMA, and USB SIE are the PMAx\_xx registers. When the USB SIE is actively using a PMA channel, the M8C must not attempt to access that channel's PMA registers. If the M8C wants to access the same data as an active USB endpoint, the M8C must use a PMA channel separate from the PMA channel that is permanently allocated to that endpoint.

Just as the M8C has two uses for PMA channels, read or write, the USB SIE has two uses for a PMA channel. The USB SIEs use of a channel may be thought of as read or write; but, in USB terms the USB SIEs need to read data would be associated with an IN transaction and the need to write data with an OUT transaction.

For a USB IN transaction, the USB SIE is reading data from the PMA and sending the data to the USB host. The following steps must be used to set up a PMA channel for a USB IN transaction. These steps assume that the data has already been written by the M8C into the dedicated USB SRAM.

1. Select the PMA channel whose number matches the endpoint number that is handling the IN transaction.
2. Write the PMA channel's PMAx\_RA register with the address of the first byte in SRAM that is used for the IN transaction.
3. Configure the USB endpoint registers with the proper byte count and enable the endpoint to send data when the IN transaction occurs.

Because the PMA prefetches data for M8C and USB SIE reads, step two above is very important. This step not only sets the first address from which data is read by the USB SIE; but, it also triggers a read operation on the dedicated USB SRAM and stores the result of that read in the PMAx\_DR ready for the USB SIE to read. When the USB SIE begins the IN transaction for the endpoint, it uses its byte counter to tell the PMA which byte is needed next. Therefore, when the first byte of the transaction is read by the SIE, the PMA automatically fetches the next byte in preparation for the USB SIEs next byte request.

For a USB OUT transaction, the USB SIE is writing data to the PMA that was received from the USB host. The following steps must be used to set up a PMA channel for a USB OUT transaction.

1. Select the PMA channel whose number matches the endpoint number that is handling the OUT transaction.
2. Write the PMA channel's PMAx\_WA register with the address of the first byte in SRAM that is used for the OUT transaction.
3. Configure the USB endpoint with the proper maximum receive byte count and enable the endpoint to receive the OUT transaction.

As with the IN transaction, the PMA uses the byte counter from the SIE as an offset to the value of the PMAx\_WA register. As the USB SIE sends bytes to the PMA, the counter is added to the base address and the data byte is written into the dedicated USB SRAM. Should an error occur in the OUT transaction and the packet be resent by the USB host, the byte count is reset to zero and the PMA writes the new data over top of the potentially corrupt data from the previous failed transaction.

If the number of bytes received exceeds the count in the endpoint's count register, the extra bytes are not written into the USB SRAM, but the received byte count reported in the endpoint count registers includes the ignored bytes.

### 20.2.3 Oscillator Lock

The PSoC device can operate without using any external components, such as a crystal, and still achieve the clock accuracy required for full-speed USB. It does this by locking its internal oscillator to the incoming USB traffic. Therefore, the initial accuracy of the oscillator may not meet the required accuracy ( $\pm 0.25\%$ ), but it self-tunes to this precision before the device needs to transmit USB data.

This oscillator locking feature is disabled by default and must be enabled by firmware. In USB systems, this feature must always be enabled unless the device is being used with an accurate external clock. The EnableLock bit in the USB\_CR1 register is used to turn on the locking feature.

### 20.2.4 Transceiver

The internal USB transceiver interfaces to the external USB bus to transmit and receive signals according to the USB 2.0 Specification. In normal USB operation, the transceiver interfaces directly to the SIE and no user interaction is needed after initialization. The USB Enable bit in the USB\_CR0 register must be set to enable the transceiver for USB operation. The I/O Mode bit in USBIO\_CR1 must not be set during normal USB mode of operation. The transceiver can also be used in non-USB modes, since the D+ and D- pins can be read and written through register control bits. This enables multi-purpose use of these pins (for example, in a system that supports both USB and PS/2 signaling). Clearing the USB Enable bit of USB\_CR0 powers down the USB differential receiver and disables USB communication.

For USB operation, the transceiver contains an internal 1.5 k $\Omega$  pull up resistor on the D+ line. This resistor is isolated from the D+ pin at reset and is attached under firmware control through the USBPUEN bit in the USBIO\_CR1 register. After the D+ pull up resistor is connected to the D+ line, the system normally detects that as an attach and begins the USB enumeration process. No additional external pull up resistor must be added to the D+ line, since the transceiver signaling is optimized for use with the internal D+ pull up resistor. However, low value series resistors (24 $\Omega$ ) must be added externally to meet the driving impedance requirement for full-speed USB.

The transceiver also includes 5 k $\Omega$  pull up resistors on both the D+ and D- pins for communication at PS/2 or similar signaling levels. These resistors are disconnected at reset and can be connected with the PS2PUEN bit in the USBIO\_CR1 register. The D+ and D- pins can also be driven individually high and low in both USB and non-USB modes. The state of those pins can be read in any mode. Refer to the description of the [USBIO\\_CR0](#) and [USBIO\\_CR1](#) registers for more detail.

### 20.2.5 USB Suspend

Loss of USB activity, while the USB VBus is still asserted, indicates that the device must enter USB Suspend mode.



(Self-powered devices do not need to go into Suspend mode.) This condition is detected by monitoring the Bus Activity bit in the USB\_CR1 register. This bit must be polled periodically. If it reads high (bus activity present), it must be cleared by firmware. If no activity is detected for the desired time (for example, 3 ms), then the device must enter Suspend mode.

Not all sleep modes preserve the USB configuration register states during sleep. The Standby I2C-USB mode is the preferred sleep mode for USB operation because the state of all USB registers is maintained during sleep. The other sleep modes do not preserve all of these registers to save sleep power.

The USB regulator settings must not be changed when entering sleep state, since the regulator automatically enters a low power state for the given regulator mode (pass-through or regulating).

### 20.2.5.1 *Using Standby I2C-USB Sleep Mode for USB Suspend*

To enter Standby I2C-USB mode, firmware powers down the desired functions, as it would to enter a Standby I2C-USB mode sleep state as documented in [10.1.1 Sleep Control Implementation Logic on page 74](#), including writing the SLEEP bit of the CPU\_SCR0 register. In this mode, USB configuration registers and data are preserved during sleep.

### 20.2.5.2 *Using Standby or Deep Sleep Modes for USB Suspend*

The Standby and Deep Sleep modes do not have hardware supported for USB suspend operation because not all USB registers are preserved in these modes. In USB parts, if there is a need to enter Standby or Deep Sleep mode, then user firmware must save the non-retained registers to SRAM before entering into sleep and restore these registers once the device wakes up. The list of these registers is given below. Some configuration registers retain their values in all sleep modes: USB\_CR0, USB\_CR1, USBIO\_CR0, USBIO\_CR1, IMO\_TR, IMO\_TR1. In addition, the USB SRAM contents are preserved in all sleep modes.

The USB registers that retain state in Standby I2C-USB mode but not in other sleep modes are: the endpoint control registers (EPx\_CRx), endpoint PMA write address (PMAx\_WA)/read address (PMAx\_RA) registers, PMA data registers (PMAx\_DR), endpoint count registers (EPx\_CNTx), endpoint 0 data register (EP0\_DRx) and start of frame registers (USB\_SOFx). These registers are reset after the device comes out of sleep.

(An alternative is to simply disconnect from the USB bus before going into one of these sleep modes, and then reconnect to re-initialize the USB system after waking up.)

### 20.2.5.3 *Wakeup from Suspend*

The USB wake interrupt must be enabled to allow the device to exit the sleep state when there is activity on the USB bus. This interrupt can be enabled at any time since it only asserts when the device is in the sleep state. Other interrupts may be optionally enabled, such as the sleep interrupt, GPIO, I2C, to periodically wake the device while in USB suspend state. The USB wake interrupt can wake up the device from all the three sleep states (Standby sleep, I2C-USB sleep and Deep Sleep). If D+ is low when the SLEEP bit is being set, the device briefly enters sleep state, and then exits sleep due to the USB wake interrupt.

By carefully using a sleep timer interrupt, the device can wake periodically, monitor the environment, and return to sleep while maintaining a low average current that meets the USB suspend current specification.

If the device needs to issue a resume signal to the USB system, firmware can write to the TEN and TD bits in the USBIO\_CR0 register to manually force a K state on the bus. Using these bits produces signaling that meets the USB timing specifications.

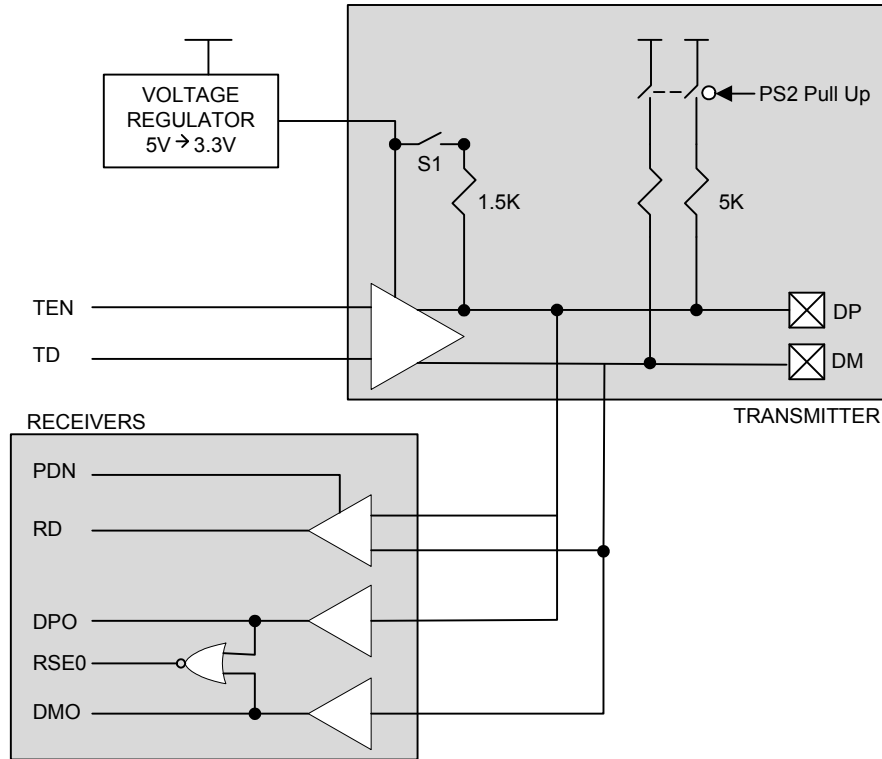
When driving a resume, the J state (TD=1) must be driven briefly before driving the K state (TD=0). The steps are summarized as follows:

1. Drive the J state (TEN=1, TD=1) for one instruction.
2. Drive the resume, or K state (TEN=1, TD=0) for the proper time (1 ms to 15 ms).
3. Stop driving the USB bus manually (TEN=0).

## 20.2.6 Regulator

The transceiver contains a built-in regulator that can be used to power the transceiver from the USB bus voltage or other supply around 5V. The regulator supplies the proper levels for USB signals, which switch between 0V and 3.3V nominally. If the PSoC device is operating with a Vdd supply near 3.3V, then the regulator must be placed into a pass-through mode so that the Vdd voltage is directly supplied to the transceiver, without regulation. The RegEnable bit (bit 0 in the USB\_CR1 register) is used to pick between the regulating mode (5V supply) or the passthrough mode (3.3V supply). At power up, the regulator is automatically held in pass-through mode, but the USB transceiver pins are tristated.

Figure 20-2. Transceiver and Regulator Block Diagram



## 20.3 Register Definitions

The following registers are related to Full-Speed USB in the PSoC device. For a complete table of the Full-Speed USB registers, refer to the Registers table [Summary Table of the System Resource Registers on page 106](#). Register bits that are grayed out in this document are reserved bits and are not detailed in the register descriptions that follow. Always write reserved bits with a value of '0'.

### 20.3.1 USB\_SOF0 Register

Address	Name	Bit 7	Bit 6	Bit 5	Bit 4	Bit 3	Bit 2	Bit 1	Bit 0	Access
0,31h	<a href="#">USB_SOF0</a>	Frame Number[7:0]								R : 00
0,32h	<a href="#">USB_SOF1</a>							Frame Number[10:8]		R : 0

The USB Start of Frame Registers (USB\_SOF0 and USB\_SOF1) provide access to the 11-bit SOF frame number. Start of frame packets are sent from the host (for example, the PC) every 1 ms. For more information, see the *Universal Serial Bus Specification, revision 2.0*.

**Bits 7 to 0: Frame Number.** The USB\_SOF0 register has the lower 8 bits [7:0] and the USB\_SOF1 register has the upper 3 bits [10:8] of the SOF frame number.

For additional information, refer to the [USB\\_SOF0 register on page 193](#) and the [USB\\_SOF1 register on page 194](#).

### 20.3.2 USB\_CR0 Register

Address	Name	Bit 7	Bit 6	Bit 5	Bit 4	Bit 3	Bit 2	Bit 1	Bit 0	Access	
0,33h	<a href="#">USB_CR0</a>	USB Enable	Device Address[6:0]								RW : 00

The USB Control Register 0 (USB\_CR0) is used to set the PSoC's USB address and enable the USB system resource.

All bits in this register are reset to zero when a USB bus reset interrupt occurs.

**Note** Set the IMO frequency to 24 MHz and enable the 48 MHz clock in the OSC\_CR2 register before USB is enabled. See IMO\_TR and CPU\_SCR1 registers for selecting IMO frequency as 24 MHz.

**Bit 7: USB Enable.** This bit enables the PSoC device to respond to USB traffic. '0' is USB disabled. The device does not respond to USB traffic. '1' is USB enabled.

**Bits 6 to 0: Device Address[6:0].** These bits specify the USB device address to which the SIE responds. This address must be set by firmware and is specified by the USB host with a SET ADDRESS command during USB enumeration. This value must be programmed by firmware when assigned during enumeration. It is not set automatically by the hardware.

For additional information, refer to the [USB\\_CR0 register on page 195](#).

### 20.3.3 USBIO\_CR0 Register

Address	Name	Bit 7	Bit 6	Bit 5	Bit 4	Bit 3	Bit 2	Bit 1	Bit 0	Access
0,34h	<a href="#">USBIO_CR0</a>	TEN	TSE0	TD					RD	# : 0

The USB I/O Control Register 0 (USBIO\_CR0) is used for manually transmitting on the USB D+ and D- pins, or reading the differential receiver.

**Bit 7: TEN.** This is used to manually transmit on the D+ and D- pins. Normally, this bit must be cleared to allow the internal SIE to drive the pins. The most common reason for manually transmitting is to force a resume state on the bus. '0' is manual transmission off (TSE0 and TD have no effect). '1' is manual transmission enabled (TSE0 and TD determine the state of the D+ and D- pins).

**Bit 6: TSE0.** Transmit Single-Ended Zero. SE0: both D+ and D- low. No effect if TEN=0. '0' is do not force SE0. '1' is force SE0 on D+ and D-.

**Bit 5: TD.** Transmit a USB J or K state on the USB bus. No effect if TEN=0 or TSE0=1. '0' forces USB K state (D+ is low, D- is high). '1' forces USB J state (D+ is high, D- is low).

**Bit 0: RD.** This read only bit gives the state of the USB differential receiver. '0' is D+ < D- or D+ = D- = 0. '1' is D+ > D-.

For additional information, refer to the [USBIO\\_CR0 register on page 196](#).

### 20.3.4 USBIO\_CR1 Register

Address	Name	Bit 7	Bit 6	Bit 5	Bit 4	Bit 3	Bit 2	Bit 1	Bit 0	Access
0,35h	<a href="#">USBIO_CR1</a>	IOMode	Drive Mode	DPI	DMI	PS2PUEN	USBPUEEN	DPO	DMO	# : 03

The USB I/O Control Register 1 (USBIO\_CR1) is used to manually read or write the D+ and D- pins, and to configure internal pull up resistors on those pins.

**Bit 7: IOMode.** This bit allows the D+ and D- pins to be configured for either USB mode or bit banded modes. If this bit is set, the DMI and DPI bits are used to drive the D- and D+ pins. '0' is USB mode. Drive mode has no effect. '1' is drive mode, DMI and DPI determine state of the D+ and D- pins.

**Bit 6: Drive Mode.** If the IOMode bit is set, this bit configures the D- and D+ pins for either CMOS drive or open drain drive. If IOMode is cleared, this bit has no effect. Note that in open drain mode, 5 kΩ pull up resistors can be connected internally with the PS2PUEN bit. '0' is D+ and D- are in open drain mode. If the DPI or DMI bits are set high, the corresponding D+ or D- pad is high impedance. '1' is D+ and D- are in CMOS drive mode. D+ follows DPI and D- follows DMI.

**Bit 5: DPI.** This bit is used to drive the D+ pin if IOMode=1. Refer to the Drive Mode bit for drive state of pad. '0' is drive D+ pad low. '1' is drive D+ pad high (unless Drive Mode=0).

**Bit 4: DMI.** This bit is used to drive the D- pin if IOMode=1. Refer to the Drive Mode bit for drive state of pad. '0' is drive D- pad low. '1' is drive D- pad high (unless Drive Mode=0).

**Bit 3: PS2PUEN.** This bit controls the connection of the two internal 5 kΩ pull up resistors to the D+ and D- pins. '0' is no effect. '1' is apply 5k pull ups between Vdd and both D+ and D- pads, independent of the IOMode and Drive Mode bits.

**Bit 2: USBPUEEN.** This bit controls the connection of the internal 1.5 kΩ pull up resistor on the D+ pin. '0' is no effect. '1' is apply internal USB pull up resistor to D+ pad.

**Bit 1: DPO.** This read only bit gives the state of the D+ pin.

**Bit 0: DMO.** This read only bit gives the state of the D- pin.

For additional information, refer to the [USBIO\\_CR1 register on page 197](#).

### 20.3.5 EP0\_CR Register

Address	Name	Bit 7	Bit 6	Bit 5	Bit 4	Bit 3	Bit 2	Bit 1	Bit 0	Access
0,36h	EP0_CR	Setup Received	IN Received	OUT Received	ACK'ed Transaction	Mode[3:0]			# : 00	

The Endpoint Control Register (EP0\_CR) is used to configure endpoint 0.

Because both firmware and the SIE are allowed to write to the Endpoint 0 Control and Count registers, the SIE provides an interlocking mechanism to prevent accidental overwriting of data. When the SIE writes to these registers they are locked and the processor cannot write to them until after reading the EP0\_CR register. Writing to this register clears the upper four bits regardless of the value written.

**Note** The register lock is removed when the following M8C instructions are used to write the EP0\_CR register as these instructions generate a read (IOR\_) signal, which causes the lock to be removed even without the firmware actually reading the EP0\_CR register.

```
mov reg[expr], expr
mov reg[X+expr], expr
```

**Bit 7: Setup Received.** When set, this bit indicates a valid setup packet was received and ACK'ed. This bit is forced high from the start of the data packet phase of the setup transaction, until the start of the ACK packet returned by the SIE. The CPU is prevented from clearing this bit during this interval. After this interval, the bit remains set until cleared by firmware. While this bit is set to '1', the CPU cannot write to the EP0\_DRx registers. This prevents firmware from overwriting an incoming setup transaction before firmware has a chance to read the setup data. This bit is cleared by any non-locked writes to the register.

**Bit 6: IN Received.** When set, this bit indicates a valid IN packet has been received. This bit is updated to '1' after the host acknowledges an IN data packet. When clear, this bit indicates either no IN has been received or that the host did not acknowledge the IN data by sending an ACK handshake. It is cleared by any non-locked writes to the register.

**Bit 5: OUT Received.** When set, this bit indicates a valid OUT packet has been received and ACK'ed. This bit is updated to '1' after the last received packet in an OUT transaction. When clear, this bit indicates no OUT has been received. It is cleared by any non-locked writes to the register.

**Bit 4: ACK'ed Transaction.** This bit is set whenever the SIE engages in a transaction to the register's endpoint that completes with an ACK packet. This bit is cleared by any non-locked writes to the register.

**Bits 3 to 0: Mode[3:0].** The mode bits control how the USB SIE responds to traffic and how the USB SIE changes the mode of that endpoint as a result of host packets to the endpoint.

For additional information, refer to the [EP0\\_CR register on page 198](#).

### 20.3.6 EP0\_CNT Register

Address	Name	Bit 7	Bit 6	Bit 5	Bit 4	Bit 3	Bit 2	Bit 1	Bit 0	Access
0,37h	EP0_CNT	Data Toggle	Data Valid			Byte Count[3:0]			# : 00	

The Endpoint 0 Count Register (EP0\_CNT) is used to configure endpoint 0.

Whenever the count updates from a setup or OUT transaction, this register locks and cannot be written by the CPU. Reading the EP0\_CR register unlocks this register. This prevents firmware from overwriting a status update on incoming setup or OUT transactions, before firmware has a chance to read the data.

**Bit 7: Data Toggle.** This bit selects the data packet's toggle state. For IN transactions, firmware must set this bit. For OUT or setup transactions, the SIE hardware sets this bit to the state of the received Data Toggle bit. '0' is DATA0. '1' is DATA1.

**Bit 6: Data Valid.** This bit indicates whether there were errors in OUT or setup transactions. It is cleared to '0' if CRC, bit stuff, or PID errors have occurred. This bit does not update for some endpoint mode settings. This bit may be cleared by writing a zero to it when the register is not locked. '0' is error in data received. '1' is no error.

**Bits 3 to 0: Byte Count[3:0].** These bits indicate the number of data bytes in a transaction. For IN transactions, firmware loads the count with the number of bytes to be transmitted to the host from the endpoint FIFO. Valid values are 0 to 8. For OUT or setup transactions, the count is updated by hardware to the number of data bytes received, plus two for the CRC bytes. Valid values are 2 to 10.

For additional information, refer to the [EP0\\_CNT register on page 199](#).

### 20.3.7 EP0\_DRx Register

Address	Name	Bit 7	Bit 6	Bit 5	Bit 4	Bit 3	Bit 2	Bit 1	Bit 0	Access
0,38h	EP0_DR0				Data Byte[7:0]					RW : 00
0,39h	EP0_DR1				Data Byte[7:0]					RW : 00
0,3Ah	EP0_DR2				Data Byte[7:0]					RW : 00
0,3Bh	EP0_DR3				Data Byte[7:0]					RW : 00
0,3Ch	EP0_DR4				Data Byte[7:0]					RW : 00
0,3Dh	EP0_DR5				Data Byte[7:0]					RW : 00
0,3Eh	EP0_DR6				Data Byte[7:0]					RW : 00
0,3Fh	EP0_DR7				Data Byte[7:0]					RW : 00

The Endpoint 0 Data Register (EP0\_DRx) is used to read and write data to the USB control endpoint.

The EP0\_DRx registers have a hardware-locking feature that prevents the CPU write when setup is active. The registers are locked as soon as the setup token is decoded and remain locked throughout the setup transaction and until the EP0\_CR register has been read. This is to prevent overwriting new setup data before firmware knows it has arrived.

All other endpoint data buffers do not have this locking feature.

**Bits 7 to 0: Data Byte[7:0].** These registers are shared for both transmit and receive. The count in the EP0\_CNT register determines the number of bytes received or to be transferred.

For additional information, refer to the [EP0\\_DRx register on page 200](#).

### 20.3.8 EPx\_CNT1 Register

Address	Name	Bit 7	Bit 6	Bit 5	Bit 4	Bit 3	Bit 2	Bit 1	Bit 0	Access
0,41h	EP1_CNT1	Data Count[7:0]								RW : 00
0,43h	EP2_CNT1	Data Count[7:0]								RW : 00
0,45h	EP3_CNT1	Data Count[7:0]								RW : 00
0,47h	EP4_CNT1	Data Count[7:0]								RW : 00
0,49h	EP5_CNT1	Data Count[7:0]								RW : 00
0,4Bh	EP6_CNT1	Data Count[7:0]								RW : 00
0,4Dh	EP7_CNT1	Data Count[7:0]								RW : 00
0,4Fh	EP8_CNT1	Data Count[7:0]								RW : 00

The Endpoint Count Register 1 (EPx\_CNT1) sets or reports the number of bytes in a USB data transfer to the non-control endpoints.

**Bit 7 to 0: Data Count.** These bits are the eight LSb of a 9-bit counter. The MSb is the Count MSb bit of the EPx\_CNT0 register. The 9-bit count indicates the number of data bytes in a transaction. For IN transactions, firmware loads the count with the number of data bytes to be transmitted to the host. Valid values are 0 to 256. The 9-bit count also sets the limit for the number of bytes that are received for an OUT transaction. Before an OUT transaction is received for an endpoint, this count value must be set to the maximum number of data bytes to receive. If this count value is set to a value greater than the number of bytes (Data + CRC) received, both the data from the USB packet and the two-byte CRC are written to the USB's dedicated SRAM.

If the number of data bytes received is exactly the same as the 9-bit count, then only the data is updated into the USB SRAM and the CRC is discarded but the OUT transaction is completed according to the Mode bits of the EPx Control Register. If the number of data bytes received is more than the 9-bit count, then the OUT transaction is ignored.

After the OUT transaction is complete, the full 9-bit count is updated by the SIE to the actual number of data bytes received by the SIE plus two for the packet's CRC. Valid values are 2 to 258.

To get the actual number of bytes received, firmware must decrement the 9-bit count by two.

For additional information, refer to the [EPx\\_CNT1 register on page 202](#).

### 20.3.9 EPx\_CNT0 Register

Address	Name	Bit 7	Bit 6	Bit 5	Bit 4	Bit 3	Bit 2	Bit 1	Bit 0	Access
0,40h	EP1_CNT0	Data Toggle	Data Valid						Count MSB	# : 0
0,42h	EP2_CNT0	Data Toggle	Data Valid						Count MSB	# : 0
0,44h	EP3_CNT0	Data Toggle	Data Valid						Count MSB	# : 0
0,46h	EP4_CNT0	Data Toggle	Data Valid						Count MSB	# : 0
0,48h	EP5_CNT0	Data Toggle	Data Valid						Count MSB	# : 0
0,4Ah	EP6_CNT0	Data Toggle	Data Valid						Count MSB	# : 0
0,4Ch	EP7_CNT0	Data Toggle	Data Valid						Count MSB	# : 0
0,4Eh	EP8_CNT0	Data Toggle	Data Valid						Count MSB	# : 0

The Endpoint Count Register 0 (EPx\_CNT0) is used for configuring endpoints 1 through 8.

**Bit 7: Data Toggle.** This bit selects the data packet's toggle state. For IN transactions, firmware must set this bit to the expected state. For OUT transactions, the hardware sets this bit to the state of the received Data Toggle bit. '0' is DATA0. '1' is DATA1.

**Bit 6: Data Valid.** This bit is used for OUT transactions only and is read only. It is cleared to '0' if CRC, bit stuffing errors, or PID errors occur. This bit does not update for some endpoint mode settings. '0' is error in data received. '1' is no error.

**Bit 0: Count MSB.** This bit is the one MSb of a 9-bit counter. The LSb are the Data Count[7:0] bits of the EPx\_CNT1 register. Refer to the [EPx\\_CNT1 Register](#) for more information.

For additional information, refer to the [EPx\\_CNT0 register on page 201](#).



### 20.3.10 EPx\_CR0 Register

Address	Name	Bit 7	Bit 6	Bit 5	Bit 4	Bit 3	Bit 2	Bit 1	Bit 0	Access
1,54h	EP1_CR0	Stall		NAK_INT_EN	ACK'ed Tx		Mode[3:0]			# : 00
1,55h	EP2_CR0	Stall		NAK_INT_EN	ACK'ed Tx		Mode[3:0]			# : 00
1,56h	EP3_CR0	Stall		NAK_INT_EN	ACK'ed Tx		Mode[3:0]			# : 00
1,57h	EP4_CR0	Stall		NAK_INT_EN	ACK'ed Tx		Mode[3:0]			# : 00
1,58h	EP5_CR0	Stall		NAK_INT_EN	ACK'ed Tx		Mode[3:0]			# : 00
1,59h	EP6_CR0	Stall		NAK_INT_EN	ACK'ed Tx		Mode[3:0]			# : 00
1,5Ah	EP7_CR0	Stall		NAK_INT_EN	ACK'ed Tx		Mode[3:0]			# : 00
1,5Bh	EP8_CR0	Stall		NAK_INT_EN	ACK'ed Tx		Mode[3:0]			# : 00

The Endpoint Control Register 0 (EPx\_CR0) is used for status and configuration of the non-control endpoints 1 to 8.

**Bit 7: Stall.** When this bit is set, the SIE stalls an OUT packet if the mode bits are set to ACK-OUT. The SIE stalls an IN packet if the mode bits are set to ACK-IN. This bit must be cleared for all other modes. '0' is do not issue a stall. '1' is stall an OUT packet if mode bits are set to ACK-OUT, or stall an IN packet if mode bits are set to ACK-IN.

**Bit 5: NAK Int Enable.** When set, this bit causes an endpoint interrupt to be generated even when a transfer completes with a NAK. '0' is do not issue an interrupt after completing the transaction by sending NAK. '1' is interrupt after transaction is complete by sending NAK.

**Bit 4: ACK'ed Transaction.** The ACK'ed Transaction bit is set whenever the SIE engages in a transaction to the register's endpoint that completes with an ACK packet. This bit is cleared by any writes to the register. '0' is no ACK'ed transactions since bit was last cleared. '1' indicates a transaction ended with an ACK.

**Bits 3 to 0: Mode[3:0].** The mode controls how the USB SIE responds to traffic and how the USB SIE changes the mode of that endpoint as a result of host packets to the endpoint. Refer to ["Mode Encoding for Control and Non-Control Endpoints"](#) on page 166.

For additional information, refer to the [EPx\\_CR0 register on page 265](#).

## 20.3.11 PMAx\_WA Register

Address	Name	Bit 7	Bit 6	Bit 5	Bit 4	Bit 3	Bit 2	Bit 1	Bit 0	Access
1,34h	PMA0_WA					Write Address[7:0]				RW : 00
1,35h	PMA1_WA					Write Address[7:0]				RW : 00
1,36h	PMA2_WA					Write Address[7:0]				RW : 00
1,37h	PMA3_WA					Write Address[7:0]				RW : 00
1,38h	PMA4_WA					Write Address[7:0]				RW : 00
1,39h	PMA5_WA					Write Address[7:0]				RW : 00
1,3Ah	PMA6_WA					Write Address[7:0]				RW : 00
1,3Bh	PMA7_WA					Write Address[7:0]				RW : 00
1,44h	PMA8_WA					Write Address[7:0]				RW : 00
1,45h	PMA9_WA					Write Address[7:0]				RW : 00
1,46h	PMA10_WA					Write Address[7:0]				RW : 00
1,47h	PMA11_WA					Write Address[7:0]				RW : 00
1,48h	PMA12_WA					Write Address[7:0]				RW : 00
1,49h	PMA13_WA					Write Address[7:0]				RW : 00
1,4Ah	PMA14_WA					Write Address[7:0]				RW : 00
1,4Bh	PMA15_WA					Write Address[7:0]				RW : 00

The PSoC Memory Arbiter Write Address Register (PMAx\_WA) is used to set the beginning SRAM address for the PMA channel. A PMAx\_WA register address uses the same physical register as the PMAx\_RA register address. Therefore, when the read address is changed, the write address is also changed and the PMAx\_RA and PMAx\_WA registers always return the same value when read.

**Bits 7 to 0: Address[7:0].** The value returned when this register is read depends on whether the PMA channel is being used by the USB SIE or by the M8C. In the USB case, this register always returns the beginning SRAM address for the PMA channel. In the M8C case, this register always returns the next SRAM address that is used by the PMA channel, if a byte is written to the channel's data register (PMAx\_DR) by the M8C.

For additional information, refer to the [PMAx\\_WA register on page 263](#).

### 20.3.12 PMAx\_DR Register

Address	Name	Bit 7	Bit 6	Bit 5	Bit 4	Bit 3	Bit 2	Bit 1	Bit 0	Access
0,58h	PMA0_DR	Data Byte[7:0]								RW : 00
0,59h	PMA1_DR	Data Byte[7:0]								RW : 00
0,5Ah	PMA2_DR	Data Byte[7:0]								RW : 00
0,5Bh	PMA3_DR	Data Byte[7:0]								RW : 00
0,5Ch	PMA4_DR	Data Byte[7:0]								RW : 00
0,5Dh	PMA5_DR	Data Byte[7:0]								RW : 00
0,5Eh	PMA6_DR	Data Byte[7:0]								RW : 00
0,5Fh	PMA7_DR	Data Byte[7:0]								RW : 00
0,64h	PMA8_DR	Data Byte[7:0]								RW : 00
0,65h	PMA9_DR	Data Byte[7:0]								RW : 00
0,66h	PMA10_DR	Data Byte[7:0]								RW : 00
0,67h	PMA11_DR	Data Byte[7:0]								RW : 00
0,68h	PMA12_DR	Data Byte[7:0]								RW : 00
0,69h	PMA13_DR	Data Byte[7:0]								RW : 00
0,6Ah	PMA14_DR	Data Byte[7:0]								RW : 00
0,6Bh	PMA15_DR	Data Byte[7:0]								RW : 00

The PSoC Memory Arbiter Data Register (PMAx\_DR) is used to read and write to a particular PMA channel by either the USB SIE or the M8C. Note that a PMA channel may not be used simultaneously by both the USB SIE and the M8C.

**Bits 7 to 0: Data Byte[7:0].** When the M8C writes to this register, the PMA registers the byte and then stores the value at the address in SRAM indicated by the PMAx\_WA register.

After the value has been written to SRAM, the PMAx\_WA register is automatically incremented. When the USB SIE writes to this register, the PMA registers the byte and then stores the value in SRAM using the sum of the value of the PMAx\_WA register and the USB SIEs received byte count. When the M8C reads this register, a pre-loaded value is returned and the PMAx\_RA value is automatically incremented.

The new PMAx\_RA value is used to fetch the next value from the SRAM, to be ready for the next read from the channel's PMAx\_DR register. When the USB SIE reads the PMAx\_DR register, it also receives a pre-loaded value, which triggers the PMA logic to fetch the next value in SRAM to be ready for the USB SIEs next read request. In all read cases, the initial pre-load of the first address of the channel is triggered by writing the first address of the channel to the channel's PMAx\_RA register. Therefore, the PMAx\_RA register must be written after data has been stored for the channel.

For additional information, refer to the [PMAx\\_DR register on page 203](#).

### 20.3.13 PMAx\_RA Register

Address	Name	Bit 7	Bit 6	Bit 5	Bit 4	Bit 3	Bit 2	Bit 1	Bit 0	Access
1,3Ch	PMA0_RA									Read Address[7:0] RW : 00
1,3Dh	PMA1_RA									Read Address[7:0] RW : 00
1,3Eh	PMA2_RA									Read Address[7:0] RW : 00
1,3Fh	PMA3_RA									Read Address[7:0] RW : 00
1,40h	PMA4_RA									Read Address[7:0] RW : 00
1,41h	PMA5_RA									Read Address[7:0] RW : 00
1,42h	PMA6_RA									Read Address[7:0] RW : 00
1,43h	PMA7_RA									Read Address[7:0] RW : 00
1,4Ch	PMA8_RA									Read Address[7:0] RW : 00
1,4Dh	PMA9_RA									Read Address[7:0] RW : 00
1,4Eh	PMA10_RA									Read Address[7:0] RW : 00
1,4Fh	PMA11_RA									Read Address[7:0] RW : 00
1,50h	PMA12_RA									Read Address[7:0] RW : 00
1,51h	PMA13_RA									Read Address[7:0] RW : 00
1,52h	PMA14_RA									Read Address[7:0] RW : 00
1,53h	PMA15_RA									Read Address[7:0] RW : 00

The PSoC Memory Arbiter Read Address Register (PMAx\_RA) is used to set the beginning address for the PMA channel. A PMAx\_RA register address uses the same physical register as the PMAx\_WA register address. Therefore, when the read address is changed, the write address is also changed and the PMAx\_WA and PMAx\_RA registers always return the same value when read. When a PMAx\_RA register is written, the address is stored and the value of the corresponding SRAM address is loaded into the channel's PMAx\_DR. Therefore, this register must only be written after valid data has been stored in SRAM for the channel.

**Bits 7 to 0: Address[7:0].** The value returned when this register is read depends on whether the PMA channel is being used by the USB SIE or by the M8C. In the USB SIE case, this register always returns the beginning SRAM address for the PMA channel. In the M8C case, this register always returns the next SRAM address that is used by the PMA channel, if a byte is read from the channel's data register (PMAx\_DR) by the M8C.

For additional information, refer to the [PMAx\\_RA register on page 264](#).

### 20.3.14 USB\_CR1 Register

Address	Name	Bit 7	Bit 6	Bit 5	Bit 4	Bit 3	Bit 2	Bit 1	Bit 0	Access
1,30h	<a href="#">USB_CR1</a>						BusActivity	EnableLock	RegEnable	# : 0

The USB Control Register 1 (USB\_CR1) is used to configure the internal regulator and the oscillator tuning capability.

**Bit 2: BusActivity.** The BusActivity bit is a "sticky" bit that detects any non-idle USB event that has occurred on the USB bus. After set to high by the SIE to indicate the bus activity, this bit retains its logical high value until firmware clears it. Writing a '0' to this bit clears it; writing a '1' preserves its value. '0' is no activity. '1' is non-idle activity (D+ = low) was detected since the last time the bit was cleared.

**Bit 1: EnableLock.** Set this bit to turn on the automatic frequency locking of the internal oscillator to USB traffic. Unless an external clock is being provided, this bit must remain set for proper USB operation. '0' is locking disabled. '1' is locking enabled.

**Bit 0: RegEnable.** This bit controls the operation of the internal USB regulator. For applications with device supply voltages in the 5V range, set this bit high to enable the internal regulator. For device supply voltages in the 3.3V range, clear this bit to connect the transceiver directly to the supply. '0' is passthrough mode. Use for Vdd = 3.3V range. '1' is regulating mode. Use for Vdd = 5V range.

For additional information, refer to the [USB\\_CR1 register on page 262](#).

### 20.3.15 IMO\_TR1 Register

Address	Name	Bit 7	Bit 6	Bit 5	Bit 4	Bit 3	Bit 2	Bit 1	Bit 0	Access	
1,FAh	IMO_TR1							Fine Trim[2:0]			RW : 00

**INTERNAL Register** – The Internal Main Oscillator Trim Register 1 (IMO\_TR1) fine tunes the IMO frequency.

For information on the other IMO trim register (IMO\_TR) see the Internal Main Oscillator chapter or refer to the [IMO\\_TR1 register on page 286](#) in the Register Details chapter.

**Bits 2 to 0: Fine Trim[2:0].** These bits provide a fine tuning capability to the IMO trim. These three bits are the three LSb of the IMO trim with the IMO\_TR register supplying the eight MSb.

For additional information, refer to the [IMO\\_TR1 register on page 286](#).

---

### 20.3.16 Related Registers

- [USB\\_MISC\\_CR Register on page 112.](#)



# Section E: Registers



The Registers section discusses the registers of the PSoC device. It lists all the registers in mapping tables, in address order. For easy reference, each register is linked to the page of a detailed description located in the next chapter. This section encompasses the following chapter:

- [Register Reference chapter on page 187.](#)

## Register General Conventions

The register conventions specific to this section and the Register Reference chapter are listed in the following table:

### Register Conventions

Convention	Description
Empty, grayed-out table cell	Illustrates a reserved bit or group of bits.
'x' before the comma in an address	Indicates the register exists in register bank 1 and register bank 2.
'x' in a register name	Indicates that there are multiple instances/address ranges of the same register.
R	Read register or bit(s).
W	Write register or bit(s).
O	Only a read/write register or bit(s).
L	Logical register or bit(s).
C	Clearable register or bit(s).
#	Access is bit specific.

## Register Mapping Tables

The PSoC device has a total register address space of 512 bytes. The register space is also referred to as I/O space and is broken into two parts: Bank 0 (user space) and Bank 1 (configuration space). The XIO bit in the Flag register (CPU\_F) determines which bank the user is currently in. When the XIO bit is set, the user is said to be in the “extended” address space or the “configuration” registers.

Refer to the individual PSoC device data sheets for device-specific register mapping information.

Section E: Registers

Register Map Bank 0 Table: User Space

Name	Addr (0,Hex)	Access	Page	Name	Addr (0,Hex)	Access	Page	Name	Addr (0,Hex)	Access	Page	Name	Addr (0,Hex)	Access	Page
PRT0DR	00	RW	188	EP1_CNT0	40	#	201		80				C0		
PRT0IE	01	RW	189	EP1_CNT1	41	RW	202		81				C1		
	02			EP2_CNT0	42	#	201		82				C2		
	03			EP2_CNT1	43	RW	202		83				C3		
PRT1DR	04	RW	188	EP3_CNT0	44	#	201		84				C4		
PRT1IE	05	RW	189	EP3_CNT1	45	RW	202		85				C5		
	06			EP4_CNT0	46	#	201		86				C6		
	07			EP4_CNT1	47	RW	202		87				C7		
PRT2DR	08	RW	188	EP5_CNT0	48	#	201		88			I2C_XCFG	C8	RW	226
PRT2IE	09	RW	189	EP5_CNT1	49	RW	202		89			I2C_XSTAT	C9	R	227
	0A			EP6_CNT0	4A	#	201		8A			I2C_ADDR	CA	RW	228
	0B			EP6_CNT1	4B	RW	202		8B			I2C_BP	CB	R	229
PRT3DR	0C	RW	188	EP7_CNT0	4C	#	201		8C			I2C_CP	CC	R	230
PRT3IE	0D	RW	189	EP7_CNT1	4D	RW	202		8D			CPU_BP	CD	RW	231
	0E			EP8_CNT0	4E	#	201		8E			CPU_CP	CE	R	232
	0F			EP8_CNT1	4F	RW	202		8F			I2C_BUF	CF	RW	233
PRT4DR	10	RW	188		50				90			CUR_PP	D0	RW	234
PRT4IE	11	RW	189		51				91			STK_PP	D1	RW	235
	12				52				92				D2		
	13				53				93			IDX_PP	D3	RW	236
	14				54				94			MVR_PP	D4	RW	237
	15				55				95			MVW_PP	D5	RW	238
	16				56				96			I2C_CFG	D6	RW	239
	17				57				97			I2C_SCR	D7	#	240
	18			PMA0_DR	58	RW	203		98			I2C_DR	D8	RW	241
	19			PMA1_DR	59	RW	203		99				D9		
	1A			PMA2_DR	5A	RW	203		9A			INT_CLR0	DA	RW	242
	1B			PMA_DR	5B	RW	203		9B			INT_CLR1	DB	RW	244
	1C			PMA4_DR	5C	RW	203		9C			INT_CLR2	DC	RW	246
	1D			PMA5_DR	5D	RW	203		9D				DD		
	1E			PMA6_DR	5E	RW	203		9E			INT_MSK2	DE	RW	248
	1F			PMA7_DR	5F	RW	203		9F			INT_MSK1	DF	RW	249
	20				60			CS_CR0	A0	RW	211	INT_MSK0	E0	RW	250
	21			AMUX_CFG	61	RW	204	CS_CR1	A1	RW	212	INT_SW_EN	E1	RW	251
	22				62			CS_CR2	A2	RW	213	INT_VC	E2	RC	252
	23				63			CS_CR3	A3	RW	214	RES_WDT	E3	W	253
	24			PMA8_DR	64	RW	203	CS_CNTL	A4	RW	215		E4		
	25			PMA9_DR	65	RW	203	CS_CNTH	A5	RW	216		E5		
	26			PMA10_DR	66	RW	203	CS_STAT	A6	#	217		E6		
	27			PMA11_DR	67	RW	203	CS_TIMER	A7	RW	218		E7		
	28			PMA12_DR	68	RW	203	CS_SLEW	A8	RW	219		E8		
SPI_TXR	29	W	190	PMA13_DR	69	RW	203	PRS_CR	A9	RW	220		E9		
SPI_RXR	2A	R	191	PMA14_DR	6A	RW	203		AA				EA		
SPI_CR	2B	#	192	PMA15_DR	6B	RW	203		AB				EB		
	2C			TMP_DR0	6C	RW	266		AC				EC		
	2D			TMP_DR1	6D	RW	266		AD				ED		
	2E			TMP_DR2	6E	RW	266		AE				EE		
	2F			TMP_DR3	6F	RW	266		AF				EF		
	30				70			PT0_CFG	B0	RW	221		F0		
USB_SOF0	31	R	193		71			PT0_DATA1	B1	RW	223		F1		
USB_SOF1	32	R	194		72			PT0_DATA0	B2	RW	223		F2		
USB_CR0	33	RW	195		73			PT1_CFG	B3	RW	224		F3		
USBIO_CR0	34	#	196		74			PT1_DATA1	B4	RW	223		F4		
USBIO_CR1	35	#	197		75			PT1_DATA0	B5	RW	223		F5		
EP0_CR	36	#	198		76			PT2_CFG	B6	RW	225		F6		
EP0_CNT0	37	#	199		77			PT2_DATA1	B7	RW	223	CPU_F	F7	RL	254
EP0_DR0	38	RW	200	CMP_RDC	78	#	205	PT2_DATA0	B8	RW	223		F8		
EP0_DR1	39	RW	200	CMP_MUX	79	RW	206		B9				F9		
EP0_DR2	3A	RW	200	CMP_CR0	7A	RW	207		BA				FA		
EP0_DR3	3B	RW	200	CMP_CR1	7B	RW	208		BB				FB		
EP0_DR4	3C	RW	200	CMP_LUT	7C	RW	210		BC				FC		
EP0_DR5	3D	RW	200		7D				BD			IDAC_D	FD	RW	256
EP0_DR6	3E	RW	200		7E				BE			CPU_SCR1	FE	#	257
EP0_DR7	3F	RW	200		7F				BF			CPU_SCR0	FF	#	258

Gray fields are reserved. # Access is bit specific.



Register Map Bank 1 Table: Configuration Space

Name	Addr (1,Hex)	Access	Page	Name	Addr (1,Hex)	Access	Page	Name	Addr (1,Hex)	Access	Page	Name	Addr (1,Hex)	Access	Page
PRT0DM0	00	RW	259	PMA4_RA	40	RW	264		80				C0		
PRT0DM1	01	RW	260	PMA5_RA	41	RW	264		81				C1		
	02			PMA6_RA	42	RW	264		82				C2		
	03			PMA7_RA	43	RW	264		83				C3		
PRT1DM0	04	RW	259	PMA8_WA	44	RW	263		84				C4		
PRT1DM1	05	RW	260	PMA9_WA	45	RW	263		85				C5		
	06			PMA10_WA	46	RW	263		86				C6		
	07			PMA11_WA	47	RW	263		87				C7		
PRT2DM0	08	RW	259	PMA12_WA	48	RW	263		88				C8		
PRT2DM1	09	RW	260	PMA13_WA	49	RW	263		89				C9		
	0A			PMA14_WA	4A	RW	263		8A				CA		
	0B			PMA15_WA	4B	RW	263		8B				CB		
PRT3DM0	0C	RW	259	PMA8_RA	4C	RW	264		8C				CC		
PRT3DM1	0D	RW	260	PMA9_RA	4D	RW	264		8D				CD		
	0E			PMA10_RA	4E	RW	264		8E				CE		
	0F			PMA11_RA	4F	RW	264		8F				CF		
PRT4DM0	10	RW	260	PMA12_RA	50	RW	264		90				D0		
PRT4DM1	11	RW	260	PMA13_RA	51	RW	264		91			OUT_P0	D1	RW	268
	12			PMA14_RA	52	RW	264		92			ECO_ENBUS	D2	RW	269
	13			PMA15_RA	53	RW	264		93			ECO_TRIM	D3	RW	270
	14			EP1_CR0	54	#	265		94				D4		
	15			EP2_CR0	55	#	265		95				D5		
	16			EP3_CR0	56	#	265		96				D6		
	17			EP4_CR0	57	#	265		97				D7		
	18			EP5_CR0	58	#	265		98			MUX_CR0	D8	RW	271
	19			EP6_CR0	59	#	265		99			MUX_CR1	D9	RW	271
	1A			EP7_CR0	5A	#	265		9A			MUX_CR2	DA	RW	271
	1B			EP8_CR0	5B	#	265		9B			MUX_CR3	DB	RW	271
	1C				5C				9C			IO_CFG1	DC	RW	272
	1D				5D				9D			OUT_P1	DD	RW	273
	1E				5E				9E			IO_CFG2	DE	RW	275
	1F				5F				9F			MUX_CR4	DF	RW	271
	20				60				A0			OSC_CR0	E0	RW	276
	21				61				A1			ECO_CFG	E1	#	277
	22				62				A2			OSC_CR2	E2	RW	278
	23				63				A3			VLT_CR	E3	RW	279
	24				64				A4			VLT_CMP	E4	R	280
	25				65				A5				E5		
	26				66				A6				E6		
	27				67				A7				E7		
	28				68				A8			IMO_TR	E8	W	281
SPI_CFG	29	RW	261		69				A9			ILO_TR	E9	W	282
	2A				6A				AA				EA		
	2B				6B				AB			SLP_CFG	EB	RW	283
	2C			TMP_DR0	6C	RW	266		AC			SLP_CFG2	EC	RW	284
	2D			TMP_DR1	6D	RW	266		AD			SLP_CFG3	ED	RW	285
	2E			TMP_DR2	6E	RW	266		AE				EE		
	2F			TMP_DR3	6F	RW	266		AF				EF		
USB_CR1	30	#	262		70				B0				F0		
	31				71				B1				F1		
	32				72				B2				F2		
	33				73				B3				F3		
PMA0_WA	34	RW	263		74				B4				F4		
PMA1_WA	35	RW	263		75				B5				F5		
PMA2_WA	36	RW	263		76				B6				F6		
PMA3_WA	37	RW	263		77				B7			CPU_F	F7	RL	254
PMA4_WA	38	RW	263		78				B8				F8		
PMA5_WA	39	RW	263		79				B9				F9		
PMA6_WA	3A	RW	263		7A				BA			IMO_TR1	FA	RW	286
PMA7_WA	3B	RW	263		7B				BB				FB		
PMA0_RA	3C	RW	264		7C				BC				FC		
PMA1_RA	3D	RW	264		7D			USB_MISC_CR	BD	RW	267		FD		
PMA2_RA	3E	RW	264		7E				BE				FE		
PMA3_RA	3F	RW	264		7F				BF				FF		

Gray fields are reserved # Access is bit specific.



# 21. Register Reference



This chapter is a reference for all the PSoC device registers in address order, for Bank 0 and Bank 1. The most detailed descriptions of the PSoC registers are in the Register Definitions section of each chapter. The registers that are in both banks are incorporated with the Bank 0 registers, designated with an 'x', rather than a '0' preceding the comma in the address. Bank 0 registers are listed first and begin on page 188. Bank 1 registers are listed second and begin on page 259. A condensed view of all the registers is shown in the register mapping tables starting on page 183.

## 21.1 Maneuvering Around the Registers

For ease-of-use, this chapter has been formatted so that there is one register per page, although some registers use two pages. On each page, from top to bottom, there are four sections:

1. Register name and address (from lowest to highest).
2. Register table showing the bit organization, with reserved bits grayed out.
3. Written description of register specifics or links to additional register information.
4. Detailed register bit descriptions.

Use the register tables, in addition to the detailed register bit descriptions, to determine which bits are reserved. Reserved bits are grayed table cells and are not described in the bit description section. Reserved bits must always be written with a value of '0'. For all registers, an 'x' before the comma in the address field indicates that the register can be accessed or written to no matter what bank is used. For example, the M8C flag register's (CPU\_F) address is 'x,F7h' meaning it is located in bank 0 and bank 1 at F7h.

## 21.2 Register Conventions

The following table lists the register conventions that are specific to this chapter.

Register Conventions

Convention	Example	Description
'x' in a register name	PRTxIE	Multiple instances/address ranges of the same register.
R	R : 00	Read register or bit(s).
W	W : 00	Write register or bit(s).
O	RO : 00	Only a read/write register or bit(s).
L	RL : 00	Logical register or bit(s).
C	RC : 00	Clearable register or bit(s).
00	RW : 00	Reset value is 0x00 or 00h.
XX	RW : XX	Register is not reset.
0,	0,04h	Register is in bank 0.
1,	1,23h	Register is in bank 1.
x,	x,F7h	Register exists in register bank 0 and register bank 1.
Empty, grayed-out table cell		Reserved bit or group of bits, unless otherwise stated.

## 21.3 Bank 0 Registers

The following registers are all in bank 0 and are listed in address order. An 'x' before the comma in the register's address indicates that the register can be accessed in Bank 0 and Bank 1, independent of the XIO bit in the CPU\_F register. Registers that are in both Bank 0 and Bank 1 are listed in address order in Bank 0. For example, the RDIxLT1 register has an address of x,B4h and is listed only in Bank 0 but is accessed in both Bank 0 and Bank 1.

### 21.3.1 PRTxDR

#### Port Data Registers

##### Individual Register Names and Addresses:

PRT0DR : 0,00h      PRT1DR : 0,04h      PRT2DR : 0,08h      PRT3DR : 0,0Ch  
 PRT4DR : 0,10h

	7	6	5	4	3	2	1	0
Access : POR								
Bit Name								

These registers allow for write or read access, or the current logical equivalent, of pin voltage.

The upper nibble of the PRT4DR register returns the last data bus value when read. You need to mask it off before using this information. For additional information, refer to the [Register Definitions on page 59](#) in the GPIO chapter.

Bit	Name	Description
7:0	Data[7:0]	Write value to port or read value from port. Reads return the state of the pin, not the value in the PRTxDR register.

## 21.3.2 PRTxIE

### Port Interrupt Enable Registers

#### Individual Register Names and Addresses:

PRT0IE : 0,01h      PRT1IE : 0,05h      PRT2IE : 0,09h      PRT3IE : 0,0Dh  
 PRT4IE : 0,11h

	7	6	5	4	3	2	1	0
Access : POR	RW : 00							
Bit Name	Interrupt Enables[7:0]							

These registers enable or disable interrupts from individual GPIO pins.

The upper nibble of the PRT4IE register returns the last data bus value when read and must be masked off before using this information. For additional information, refer to the [Register Definitions on page 59](#) in the GPIO chapter.

Bit	Name	Description
7:0	<b>Interrupt Enables[7:0]</b>	These bits enable the corresponding port pin interrupt. Only four LSB are used since this port has four pins. 0      Port pin interrupt disabled for the corresponding pin. 1      Port pin interrupt enabled for the corresponding pin. Interrupt mode is determined by the IOINT bit in the <a href="#">IO_CFG1</a> register.

## 21.3.3 SPI\_TXR

### SPI Transmit Data Register

#### Individual Register Names and Addresses:

0,29h

SPI\_TXR : 0,29h

	7	6	5	4	3	2	1	0
Access : POR	W : 00							
Bit Name	Data[7:0]							

This register is the SPI's transmit data register.

For additional information, refer to the [Register Definitions on page 147](#) in the SPI chapter.

Bit	Name	Description
7:0	Data[7:0]	Data for selected function.

## 21.3.4 SPI\_RXR

### SPI Receive Data Register

**Individual Register Names and Addresses:**

0,2Ah

SPI\_RXR : 0,2Ah

	7	6	5	4	3	2	1	0
Access : POR	R : 00							
Bit Name	Data[7:0]							

This register is the SPI's receive data register.

For additional information, refer to the [Register Definitions on page 147](#) in the SPI chapter.

Bit	Name	Description
7:0	Data[7:0]	Data for selected function.

## 21.3.5 SPI\_CR

### SPI Control Register

#### Individual Register Names and Addresses:

SPI\_CR : 0,2Bh

	7	6	5	4	3	2	1	0
<b>Access : POR</b>	RW : 0	R : 0	R : 0	R : 1	R : 0	RW : 0	RW : 0	RW : 0
<b>Bit Name</b>	LSb First	Overrun	SPI Complete	TX Reg Empty	RX Reg Full	Clock Phase	Clock Polarity	Enable

This register is the SPI control register.

The LSb First, Clock Phase, and Clock Polarity bits are configuration bits. Do not change them once the block is enabled. These bits can be set at the same time that the block is enabled. For additional information, refer to the [Register Definitions on page 147](#) in the SPI chapter.

Bit	Name	Description
7	<b>LSb First</b>	Do not change this bit during an SPI transfer. 0 Data is shifted out MSb first. 1 Data is shifted out LSb first.
6	<b>Overrun</b>	0 No overrun has occurred. 1 Overrun has occurred. Indicates that a new byte is received and loaded into the RX Buffer before the previous one is read. It is cleared on a read of this (CR0) register.
5	<b>SPI Complete</b>	0 Indicates that a byte may still be in the process of shifting out, or no transmission is active. 1 Indicates that a byte is shifted out and all associated clocks are generated. It is cleared on a read of this (CR0) register. Optional interrupt.
4	<b>TX Reg Empty</b>	Reset state and the state when the block is disabled is '1'. 0 Indicates that a byte is currently buffered in the TX register. 1 Indicates that a byte is written to the TX register and cleared on write of the TX Buffer (DR1) register. This is the default interrupt. This status is initially asserted on block enable; however, the TX Reg Empty interrupt occurs only after the first data byte is written and transferred into the shifter.
3	<b>RX Reg Full</b>	0 RX register is empty. 1 A byte is received and loaded into the RX register. It is cleared on a read of the RX Buffer (DR2) register.
2	<b>Clock Phase</b>	0 Data is latched on the leading clock edge. Data changes on the trailing edge (modes 0, 1). 1 Data changes on the leading clock edge. Data is latched on the trailing edge (modes 2, 3).
1	<b>Clock Polarity</b>	0 Non-inverted, clock idles low (modes 0, 2). 1 Inverted, clock idles high (modes 1, 3).
0	<b>Enable</b>	0 SPI function is not enabled. 1 SPI function is enabled.



## 21.3.6 USB\_SOF0

### USB Start-of-Frame Register 0

#### Individual Register Names and Addresses:

USB\_SOF0 : 0,31h

0,31h

	7	6	5	4	3	2	1	0
Access : POR	R : 00							
Bit Name	Frame Number[7:0]							

This register is a USB Start-of-Frame register 0.

For additional information, refer to the [Register Definitions on page 171](#) in the Full-Speed USB chapter.

Bit	Name	Description
7:0	Frame Number[7:0]	Contains the lower eight bits of the frame number.

0,32h

## 21.3.7 USB\_SOF1

### USB Start-of-Frame Register 1

#### Individual Register Names and Addresses:

0,32h

USB\_SOF1 : 0,32h

	7	6	5	4	3	2	1	0
Access : POR							R : 0	
Bit Name							Frame Number[10:8]	

This register is a USB Start-of-Frame register 1.

In the table above, note that reserved bits are grayed table cells and are not described in the bit description section below. Reserved bits must always be written with a value of '0'. For additional information, refer to the [Register Definitions on page 171](#) in the Full-Speed USB chapter.

Bit	Name	Description
2:0	Frame Number[10:8]	Contains the upper three bits of the frame number.

## 21.3.8 USB\_CR0

### USB Control Register 0

#### Individual Register Names and Addresses:

0,33h

USB\_CR0 : 0,33h

	7	6	5	4	3	2	1	0
<b>Access : POR</b>	RW : 0		RW : 00					
<b>Bit Name</b>	USB Enable		Device Address[6:0]					

This register is a USB control register 0.

For additional information, refer to the [Register Definitions on page 171](#) in the Full-Speed USB chapter.

Bit	Name	Description
7	<b>USB Enable</b>	This bit enables the PSoC device to respond to USB traffic. 0      USB disabled. 1      USB enabled.
6:0	<b>Device Address</b>	These bits specify the USB address to which the SIE responds.

## 21.3.9 USBIO\_CR0

### USB I/O Control Register 0

#### Individual Register Names and Addresses:

USBIO\_CR0 : 0,34h

	7	6	5	4	3	2	1	0
Access : POR	RW : 0	RW : 0	RW : 0					R : 0
Bit Name	TEN	TSE0	TD					RD

This register is a USBIO manual control register 0.

In the table above, note that reserved bits are grayed table cells and are not described in the bit description section below. Reserved bits must always be written with a value of '0'. For additional information, refer to the [Register Definitions on page 171](#) in the Full-Speed USB chapter.

Bit	Name	Description
7	<b>TEN</b>	Transmit Enable. This bit is used to manually transmit on D+, D- pins. Normally, this bit must be cleared to allow the internal SIE to drive the pins. The most common reason for manually transmitting is to force a resume state on the bus. 0 Manual transmission off. 1 Manual transmission enabled.
6	<b>TSE0</b>	Both D+ and D- are low. There is no effect if TEN=0.
5	<b>TD</b>	This bit transmits a USB J or K state on the USB bus. There is no effect if TEN=0 or TSE0=1. 0 Force USB K state. 1 Force USB J state.
0	<b>RD</b>	This read only bit gives the state of the USB differential receiver. 0 D+ < D- or D+ = D- = 0. 1 D+ > D-.

## 21.3.10 USBIO\_CR1

### USB I/O Control Register 1

#### Individual Register Names and Addresses:

USBIO\_CR1 : 0,35h

	7	6	5	4	3	2	1	0
<b>Access : POR</b>	RW : 0	RW : 0	RW : 0	RW : 0	RW : 0	RW : 0	R : 1	R : 1
<b>Bit Name</b>	IOMode	Drive Mode	DPI	DMI	PS2PUEN	USBPUEN	DPO	DMO

This register is a USBIO manual control register 1.

For additional information, refer to the [Register Definitions on page 171](#) in the Full-Speed USB chapter.

Bit	Name	Description
7	<b>IOMode</b>	This bit allows the configuration of D+ and D- pins.
6	<b>Drive Mode</b>	This bit configures D+ and D- pins for either CMOS drive or open drain drive.
5	<b>DPI</b>	This bit drives the D+ pin if IOMode=1.
4	<b>DMI</b>	This pin drives the D- pin if IOMode=1.
3	<b>PS2PUEN</b>	This bit controls the connection of the two internal 5 k $\Omega$ pull up resistors to the D+ and D- pins.
2	<b>USBPUEN</b>	This bit controls the connection of the internal 1.5 k $\Omega$ pull up resistor on the D+ pin.
1	<b>DPO</b>	This read only bit provides the D+ pin status.
0	<b>DMO</b>	This read only bit provides the D- pin status.

## 21.3.11 EPO\_CR

### Endpoint 0 Control Register

#### Individual Register Names and Addresses:

EPO\_CR : 0,36h

	7	6	5	4	3	2	1	0
<b>Access : POR</b>	RC : 0	RC : 0	RC : 0	RC : 0				RW : 0
<b>Bit Name</b>	Setup Received	IN Received	OUT Received	ACK'ed Transaction				Mode[3:0]

This register is an endpoint 0 control register.

For additional information, refer to the [Register Definitions on page 171](#) in the Full-Speed USB chapter.

Bit	Name	Description
7	<b>Setup Received</b>	When set, this bit indicates a valid setup packet was received and ACK'ed.
6	<b>IN Received</b>	When set, this bit indicates a valid IN packet was received.
5	<b>OUT Received</b>	When set, this bit indicates an OUT packet was received.
4	<b>ACK'ed Transaction</b>	When set, this bit indicates a valid OUT packet has been received and ACK'ed.
3:0	<b>Mode[3:0]</b>	The mode bits control how the USB SIE responds to traffic and how the USB SIE changes the mode of that endpoint as a result of host packets to the endpoint.

## 21.3.12 EP0\_CNT

### Endpoint 0 Count Register

#### Individual Register Names and Addresses:

0,37h

EP0\_CNT : 0,37h

	7	6	5	4	3	2	1	0
<b>Access : POR</b>	RW : 0	RC : 0						RW : 0
<b>Bit Name</b>	Data Toggle	Data Valid						Byte Count[3:0]

The Endpoint 0 Count register (EP0\_CNT) configures endpoint 0.

In the table above, note that reserved bits are grayed table cells and are not described in the bit description section below. Reserved bits must always be written with a value of '0'. For additional information, refer to the [Register Definitions on page 171](#) in the Full-Speed USB chapter.

Bit	Name	Description
7	<b>Data Toggle</b>	This bit selects the data packet's toggle state.
6	<b>Data Valid</b>	This bit indicates whether there were errors in OUT or setup transactions.
3:0	<b>Byte Count[3:0]</b>	These bits indicate the number of data bytes in a transaction.

## 21.3.13 EP0\_DRx

### Endpoint 0 Data Registers

#### Individual Register Names and Addresses:

EP0\_DR0 : 0,38h      EP0\_DR1 : 0,39h      EP0\_DR2 : 0,3Ah      EP0\_DR3 : 0,3Bh  
 EP0\_DR4 : 0,3Ch      EP0\_DR5 : 0,3Dh      EP0\_DR6 : 0,3Eh      EP0\_DR7 : 0,3Fh

	7	6	5	4	3	2	1	0
Access : POR	RW : 00							
Bit Name	Data Byte[7:0]							

These registers are endpoint 0 data registers.

For additional information, refer to the [Register Definitions on page 171](#) in the Full-Speed USB chapter.

Bit	Name	Description
7:0	Data Byte[7:0]	These registers are shared for both transmit and receive.



## 21.3.14 EPx\_CNT0

### Endpoint Count 0 Registers

**Individual Register Names and Addresses:**

EP1\_CNT0 : 0,40h      EP2\_CNT0 : 0,42h      EP3\_CNT0 : 0,44h      EP4\_CNT0 : 0,46h  
 EP5\_CNT0 : 0,48h      EP6\_CNT0 : 0,4Ah      EP7\_CNT0 : 0,4Ch      EP8\_CNT0 : 0,4Eh

	7	6	5	4	3	2	1	0
<b>Access : POR</b>	RW : 0	RC : 0						# : 0
<b>Bit Name</b>	Data Toggle	Data Valid						Count MSB

These registers are endpoint count 0 registers.

In the table above, note that reserved bits are grayed table cells and are not described in the bit description section below. Reserved bits must always be written with a value of '0'. For additional information, refer to the [Register Definitions on page 171](#) in the Full-Speed USB chapter.

Bit	Name	Description
7	<b>Data Toggle</b>	This bit selects the data packet's toggle state.
6	<b>Data Valid</b>	This bit is used for OUT transactions only and is read only.
0	<b>Count MSB</b>	This bit is the 1 MSb of a 9-bit counter.

## 21.3.15 EPx\_CNT1

### Endpoint Count 1 Registers

#### Individual Register Names and Addresses:

EP1\_CNT1 : 0,41h      EP2\_CNT1 : 0,43h      EP3\_CNT1 : 0,45h      EP4\_CNT1 : 0,47h  
 EP5\_CNT1 : 0,49h      EP6\_CNT1 : 0,4Bh      EP7\_CNT1 : 0,4Dh      EP8\_CNT1 : 0,4Fh

	7	6	5	4	3	2	1	0
<b>Access : POR</b>	RW : 00							
<b>Bit Name</b>	Data Count[7:0]							

These registers are endpoint count 1 registers.

For additional information, refer to the [Register Definitions on page 171](#) in the Full-Speed USB chapter.

Bit	Name	Description
7:0	<b>Data Count[7:0]</b>	These bits are the eight LSB of a 9-bit counter. The MSb is the Count MSb of the EPx_CNT0 register.

## 21.3.16 PMAx\_DR

### PSoC Memory Arbiter Data Registers

#### Individual Register Names and Addresses:

PMA0_DR : 0,58h	PMA1_DR : 0,59h	PMA2_DR : 0,5Ah	PMA3_DR : 0,5Bh
PMA4_DR : 0,5Ch	PMA5_DR : 0,5Dh	PMA6_DR : 0,5Eh	PMA7_DR : 0,5Fh
PMA8_DR : 0,64h	PMA9_DR : 0,65h	PMA10_DR : 0,66h	PMA11_DR : 0,67h
PMA12_DR : 0,68h	PMA13_DR : 0,69h	PMA14_DR : 0,6Ah	PMA15_DR : 0,6Bh

	7	6	5	4	3	2	1	0
<b>Access : POR</b>	RW : 00							
<b>Bit Name</b>	Data Byte[7:0]							

These registers are PSoC Memory Arbiter write address registers.

For additional information, refer to the [Register Definitions on page 171](#) in the Full-Speed USB chapter.

Bit	Name	Description
7:0	<b>Data Byte[7:0]</b>	When the M8C writes to this register, the PMA registers the byte and then stores the value at the address in SRAM indicated by the PMAx_WA register.

## 21.3.17 AMUX\_CFG

### Analog Mux Configuration Register

#### Individual Register Names and Addresses:

AMUX\_CFG : 0,61h

	7	6	5	4	3	2	1	0
Access : POR			RW : 0		RW : 0		RW : 0	
Bit Name			PRX_MODE		ICAPEN[1:0]		INTCAP[1:0]	

This register is used to configure the integration capacitor pin connections to the analog global bus.

In the table above, note that reserved bits are grayed table cells and are not described in the bit description section below. Reserved bits must always be written with a value of '0'. For additional information, refer to the [Register Definitions on page 100](#) in the I/O Analog Mux chapter.

Bits	Name	Description
5	<b>PRX_MODE</b>	When this bit is set to 1, CS_CLK from TrueTouch counter logic block toggles regardless of the "EN" bit setting in CS_CR0 register. When this bit is 0 CS_CLK is gated by "EN" bit in CS_CR0 register. This bit is typically used in Proximity detection mode.
3:2	<b>ICAPEN[1:0]</b>	Bits connect internal capacitance to the analog global bus. 00b No capacitance 01b Approximately 25 pF connected 10b Approximately 50 pF connected 11b Approximately 100 pF connected
1:0	<b>INTCAP[1:0]</b>	Select pins to enable connection of external integration capacitor in the charge integration mode. 00b Neither P0[3] or P0[1] enabled 01b P0[1] pin enabled 10b P0[3] pin enabled 11b Both P0[3] and P0[1] pins enabled

## 21.3.18 CMP\_RDC

### Comparator Read/Clear Register

#### Individual Register Names and Addresses:

CMP\_RDC : 0,78h

	7	6	5	4	3	2	1	0
Access : POR			R : 0	R : 0			RC : 0	RC : 0
Bit Name			CMP1D	CMP0D			CMP1L	CMP0L

This register is used to read the state of the comparator data signal and the latched state of the comparator.

In the table above, reserved bits are grayed table cells and are not described in the bit description section below. Reserved bits must always be written with a value of '0'. For additional information, refer to the [Register Definitions on page 103](#) in the Comparators chapter.

Bit	Name	Description
5	<b>CMP1D</b>	Read only bit that returns the dynamically changing state of comparator 1. This bit reads zero whenever the comparator is disabled.
4	<b>CMP0D</b>	Read only bit that returns the dynamically changing state of comparator 0. This bit reads zero whenever the comparator is disabled.
1	<b>CMP1L</b>	This bit reads the latch output for comparator 1. It is cleared by either a write of '0' to this bit, or by a rising edge of the comparator 0 LUT, depending on the state of the CRST1 bit in the CMP_CR1 register.
0	<b>CMP0L</b>	This bit reads the latch output for comparator 0. It is cleared by either a write of '0' to this bit, or by a rising edge of the comparator 1 LUT, depending on the state of the CRST0 bit in the CMP_CR1 register.

## 21.3.19 CMP\_MUX

### Comparator Multiplexer Register

#### Individual Register Names and Addresses:

CMP\_MUX : 0,79h

	7	6	5	4	3	2	1	0
<b>Access : POR</b>		RW : 0	RW : 0		RW : 0		RW : 0	
<b>Bit Name</b>		INP1[1:0]	INN1[1:0]		INP0[1:0]		INN0[1:0]	

This register contains control bits for input selection of comparators 0 and 1.

For additional information, refer to the [Register Definitions on page 103](#) in the Comparators chapter.

Bit	Name	Description
7:6	INP1[1:0]	Comparator 1 Positive Input Select 00b Analog Global Mux Bus 01b Reserved 10b P0[1] pin 11b P0[3] pin
5:4	INN1[1:0]	Comparator 1 Negative Input Select 00b VREF (1.0V) 01b Ref Lo (approximately 0.6V) 10b Ref Hi (approximately 1.2V) 11b Reserved
3:2	INP0[1:0]	Comparator 0 Positive Input Select 00b Analog Global Mux Bus 01b Reserved 10b P0[1] pin 11b P0[3] pin
1:0	INN0[1:0]	Comparator 0 Negative Input Select 00b VREF (1.0V) 01b Ref Lo (approximately 0.6V) 10b Ref Hi (approximately 1.2V) 11b Reserved

## 21.3.20 CMP\_CR0

### Comparator Control Register 0

#### Individual Register Names and Addresses:

CMP\_CR0 : 0,7Ah

	7	6	5	4	3	2	1	0
Access : POR				RW : 0				RW : 0
Bit Name				CMP1EN				CMP0EN

This register is used to enable and configure the input range of the comparators.

In the table above, reserved bits are grayed table cells and are not described in the bit description section below. Always write reserved bits with a value of '0'. For additional information, refer to the [Register Definitions on page 103](#) in the Comparators chapter.

Bit	Name	Description	
4	CMP1EN	0	Comparator 1 disabled, powered off.
		1	Comparator 1 enabled.
0	CMP0EN	0	Comparator 0 disabled, powered off.
		1	Comparator 0 enabled.

## 21.3.21 CMP\_CR1

### Comparator Control Register 1

#### Individual Register Names and Addresses:

CMP\_CR1 : 0,7Bh

	7	6	5	4	3	2	1	0
<b>Access : POR</b>	RW : 0	RW : 0	RW : 0	RW : 0	RW : 0	RW : 0	RW : 0	RW : 0
<b>Bit Name</b>	CINT1	CPIN1	CRST1	CDS1	CINT0	CPIN0	CRST0	CDS0

This register is used to configure the comparator output options.

For additional information, refer to the [Register Definitions on page 103](#) in the Comparators chapter.

Bit	Name	Description
7	<b>CINT1</b>	This bit selects comparator 1 for input to the analog interrupt. Note that if both CINT1 and CINT0 are set high, a rising edge on either comparator output may cause an interrupt. 0 Comparator 1 does not connect to the analog interrupt. 1 Comparator 1 connects to the analog interrupt. A rising edge asserts that interrupt, if it is enabled in the INT_MSK0 register.
6	<b>CPIN1</b>	This bit selects the comparator 1 signal for possible connection to the GPIO pin. Connection to the pin also depends on the configuration of the OUT_P1 register. 0 Select comparator 1 LUT output. 1 Select comparator 1 Latch output.
5	<b>CRST1</b>	This bit selects the source for resetting the comparator 1 latch. 0 Reset by writing a '0' to the CMP_RDC register's CMP1L bit. 1 Reset by rising edge of comparator 0 LUT output.
4	<b>CDS1</b>	This bit selects the data output for the comparator 1 channel, for routing to the capacitive sense logic and comparator 1 interrupt. 0 Select the comparator 1 LUT output. 1 Select the comparator 1 latch output.
3	<b>CINT0</b>	This bit selects comparator 0 for input to the analog interrupt. Note that if both CINT1 and CINT0 are set high, a rising edge on either comparator output may cause an interrupt. 0 Comparator 0 does not connect to the analog interrupt. 1 Comparator 0 connects to the analog interrupt. A rising edge asserts that interrupt, if it is enabled in the INT_MSK0 register.
2	<b>CPIN0</b>	This bit selects the comparator 0 signal for possible connection to the GPIO pin. Connection to the pin also depends on the configuration of the OUT_P1 register. 0 Select comparator 0 LUT output. 1 Select comparator 0 Latch output.
1	<b>CRST0</b>	This bit selects the source for resetting the comparator 0 latch. 0 Reset by writing a '0' to the CMP_RDC register's CMP0L bit. 1 Reset by rising edge of comparator 1 LUT output.

(continued on next page)



### 21.3.21 CMP\_CR1 (continued)

0	<b>CDS0</b>	This bit selects the data output for the comparator 0 channel, for routing to the capacitive sense logic and comparator 0 interrupt. 0 Select the comparator 0 LUT output. 1 Select the comparator 0 latch output.
---	-------------	--

## 21.3.22 CMP\_LUT

### Comparator LUT Register

#### Individual Register Names and Addresses:

CMP\_LUT : 0,7Ch

	7	6	5	4	3	2	1	0
Access : POR	RW : 0				RW : 0			
Bit Name	LUT1[3:0]				LUT0[3:0]			

This register is used to select the logic function.

For additional information, refer to the [Register Definitions on page 103](#) in the Comparators chapter.

Bits	Name	Description
7:4	LUT1[3:0]	Select 1 of 16 logic functions for output of comparator bus 1. A=Comp1 output, B=Comp0 output. <b>Function</b> 0h FALSE 1h A AND B 2h A AND $\bar{B}$ 3h A 4h $\bar{A}$ AND B 5h B 6h A XOR B 7h A OR B 8h A NOR B 9h A XNOR B Ah $\bar{B}$ Bh $\bar{A}$ OR $\bar{B}$ Ch $\bar{A}$ Dh $\bar{A}$ OR B Eh A NAND B Fh TRUE
3:0	LUT0[3:0]	Select 1 of 16 logic functions for output of comparator bus 0. A=Comp0 output, B=Comp1 output. <b>Function</b> 0h FALSE 1h A AND B 2h A AND $\bar{B}$ 3h A 4h $\bar{A}$ AND B 5h B 6h A XOR B 7h A OR B 8h A NOR B 9h A XNOR B Ah $\bar{B}$ Bh $\bar{A}$ OR $\bar{B}$ Ch $\bar{A}$ Dh $\bar{A}$ OR B Eh A NAND B Fh TRUE

## 21.3.23 CS\_CR0

### TrueTouch Control Register 0

#### Individual Register Names and Addresses:

CS\_CR0 : 0,A0h

	7	6	5	4	3	2	1	0
Access : POR	RW : 0		RW : 0	RW : 0	RW : 0	RW : 0		RW : 0
Bit Name	CSOUT[1:0]		CSD_PRSCLK	CSD_CS_CLK	CSD_MODE	MODE[1:0]		EN

This register controls the operation of the TrueTouch counters.

Do not write bits [7:1] while the block is enabled. For additional information, refer to the [Register Definitions on page 92](#) in the TrueTouch Module chapter.

Bit	Name	Description
7:6	CSOUT[1:0]	These bits select between a number of TrueTouch signals that can be driven to an output pin. 00b IN. 01bCS_INT. 10bCOL. 11bCOH.
5	CSD_PRSCLK	This bit selects between IMO-P or the PRS output as a clock source to drive the main capacitor switch. 0 Select IMO-P. 1 Select PRS Output.
4	CSD_CS_CLK	This bit selects between IMO or IMO-P for the TrueTouch counters to work. Depending on this bit selection either IMO or IMO-P is sent as the source clock to the clock dividers which generate CS_CLK as shown in <a href="#">Figure 11-13 on page 91</a> . 0 Select IMO. 1 Select IMO-P.
3	CSD_MODE	This bit enables the CSD mode. When this bit is enabled, the TIMER1 block works on IMO-P (pre-scaled IMO) clock. This is also an enable for TrueTouch counters to toggle. <b>Note:</b> Once the CSD_MODE bit is enabled, the IMO-P clock is a free running divider clock that cannot be stopped and re-started. The IMO-P and the CPU clock are both derived from the IMO clock but the phase relationship between them is nondeterministic. 0 Disable CSD mode. Programmable Timer1 works on either CPUCLK/CLK32, (depends on CLKSEL bit selection in PT1_CFG (0, B3h) register). 1 Enable CSD mode. When this bit is set to 1, Programmable Timer1 works on IMO-P.
2:1	MODE[1:0]	TrueTouch Counter Mode. 00b Event Mode. Start in enable, stop on interrupt event. 01b Pulse Width Mode. Start on positive edge of next input. Stop on negative edge of input. 10b Period Mode. Start on positive edge of input. Stop on next positive edge of input. 11b Start in enable, continuous operation until disable.
0	EN	0 Counting is stopped and all counter values are reset to zero. 1 Counters are enabled for counting.

## 21.3.24 CS\_CR1

### TrueTouch Control Register 1

#### Individual Register Names and Addresses:

CS\_CR1 : 0,A1h

	7	6	5	4	3	2	1	0
<b>Access : POR</b>	RW : 0	RW : 0		RW : 0	RW : 0	RW : 0		
<b>Bit Name</b>	CHAIN	CLKSEL[1:0]		RLOCK	INV	INSEL[2:0]		

This register contains additional TrueTouch system control options.

Never write to this register while the block is enabled. For additional information, refer to the [Register Definitions on page 92](#) in the TrueTouch Module chapter.

Bit	Name	Description
7	CHAIN	Counter chain control. 0 8-bit high/low counters operate independently. 1 High/low counters operate as a 16-bit synchronous block.
6:5	CLKSEL[1:0]	TrueTouch clock (CSCLK) selection. 00b IMO. 01b IMO/2. 10b IMO/4. 11b IMO/8.
4	RLOCK	Relaxation oscillator clock (RLO) select. 0 High byte counter runs on the selected IMO-based frequency. 1 High byte counter runs on the RLO clock frequency.
3	INV	Input invert. 0 Selected input is not inverted. 1 Selected input is inverted.
2:0	INSEL[2:0]	Input selection. 000b Comparator 0. 001b ILO. 010b Comparator 1. 011b RLO Timer Terminal Count. 100b Interval Timer. 101b RLO Timer IRQ. 110b Analog Global Mux Bus. 111b '0'.

## 21.3.25 CS\_CR2

### TrueTouch Control Register 2

#### Individual Register Names and Addresses:

CS\_CR2 : 0,A2h

	7	6	5	4	3	2	1	0
Access : POR	RW : 0	RW : 0	RW : 0	RW : 0	RW : 0	RW : 0	RW : 0	RW : 0
Bit Name	IRANGE	IDACDIR	IDAC_EN	CIN_EN	PXD_EN	CIP_EN	RO_EN	

This register contains additional TrueTouch system control options.

For additional information, refer to the [Register Definitions on page 92](#) in the TrueTouch Module chapter.

Bit	Name	Description
7:6	<b>IRANGE</b>	Bits scale the IDAC current output. The IDAC_D register sets the base current in the IDAC. 00b IDAC output scaled to 1X range. 01b IDAC output scaled to 2X range. 10b IDAC output scaled to 4X range. 11b IDAC output scaled to 8X range.
5	<b>IDACDIR</b>	Bit determines the source/sink state of the IDAC when enabled (IDAC_EN = 1 or PXD_EN = 1 or CSD_MODE = 1). 0 IDAC sources current to analog global bus. 1 IDAC sinks current from analog global bus.
4	<b>IDAC_EN</b>	Bit provides manual connection of the IDAC to the analog global bus. The IDAC is automatically connected when RO_EN = 1 or PXD_EN = 1. 0 No manual connection. 1 IDAC is connected to analog global bus.
3	<b>CIN_EN</b>	0 Negative charge integration disabled. 1 Negative charge integration enabled. Selected sense pin(s) alternately connect to the analog global bus and ground. Clock rate is selected by the CLKSEL bits in the CS_CR1 register.
2	<b>PXD_EN</b>	0 No clock to I/O pins. 1 Enabled pins switch between ground and the analog global bus. Clock rate selected by the CLKSEL bits in the CS_CR1 register. Selected clock drives TrueTouch timer.
1	<b>CIP_EN</b>	0 Positive charge integration disabled. 1 Positive charge integration enabled. Reference buffer and integration capacitor pins alternately connect to analog global bus. Clock rate selected by the CLKSEL bits in the CS_CR1 register.
0	<b>RO_EN</b>	0 Relaxation oscillator disabled. 1 Relaxation oscillator enabled. Charging currents are set by the IRANGE bits and the IDAC_D register value.

## 21.3.26 CS\_CR3

### TrueTouch Control Register 3

#### Individual Register Names and Addresses:

CS\_CR3 : 0,A3h

	7	6	5	4	3	2	1	0
Access : POR	RW : 0	RW : 0	RW : 0	RW : 0	RW : 0		RW : 0	
Bit Name		REFMUX	REFMODE	REF_EN	LPFilt[1:0]		LPF_EN[1:0]	

This register contains control bits primarily for the proximity detection algorithm.

For additional information, refer to the [Register Definitions on page 92](#) in the TrueTouch Module chapter.

Bit	Name	Description
6	REFMUX	This bit selects the reference voltage for the input of the reference buffer. 0 Select REFHI (1.2V). 1 Select VREF (1.0V).
5	REFMODE	This bit allows manual connection of the reference buffer output to the analog global bus. If either CI_EN = 1 or RO_EN = 1 in the CS_CR2 register, this bit has no effect (reference buffer connection is off or controlled by other settings). 0 No connection. 1 Reference buffer connected to the analog global bus.
4	REF_EN	This bit enables the reference buffer to drive the analog global bus. 0 Reference buffer is disabled, powered down. 1 Reference buffer is enabled. Connection to the analog global bus is controlled by the REF-MODE bit in this register, and by the CI_EN and RO_EN bits in the CS_CR2 register.
3:2	LPFilt[1:0]	Low pass filter approximate time constant. 00b 1 $\mu$ s 01b 2 $\mu$ s 10b 5 $\mu$ s 11b 10 $\mu$ s
1:0	LPF_EN[1:0]	Enable this bit for the low pass filter. 00b No connection of either comparator channel to low pass filter. 01b Connect comparator channel 0 through the low pass filter. 10b Connect comparator channel 1 through the low pass filter. 11b Connect both comparator channel inputs together, and through the low pass filter.

## 21.3.27 CS\_CNTL

### TrueTouch Counter Low Byte Register

**Individual Register Names and Addresses:**

CS\_CNTL : 0,A4h

	7	6	5	4	3	2	1	0
Access : POR	RO : 00							
Bit Name	Data[7:0]							

This register contains the current count for the low byte counter and is read only.

For additional information, refer to the [Register Definitions on page 92](#) in the TrueTouch Module chapter.

Bit	Name	Description
7:0	Data[7:0]	<p>On a read of this register, the current count is returned. It may only be read when the counter is stopped.</p> <p><b>Note</b> The counter must be stopped by the configured event. When the counter is disabled, the count is reset to 00h.</p>

## 21.3.28 CS\_CNTH

### TrueTouch Counter High Byte Register

#### Individual Register Names and Addresses:

CS\_CNTH : 0,A5h

	7	6	5	4	3	2	1	0
Access : POR	RO : 00							
Bit Name	Data[7:0]							

This register contains the current count value for the high byte counter and is read only.

For additional information, refer to the [Register Definitions on page 92](#) in the TrueTouch Module chapter.

Bit	Name	Description
7:0	Data[7:0]	On a read of this register, the current count is returned. It is only read when the counter is stopped. <b>Note</b> The counter must be stopped by the configured event. When the counter is disabled, the count is reset to 00h.



## 21.3.29 CS\_STAT

### TrueTouch Status Register

**Individual Register Names and Addresses:**

CS\_STA : 0,A6h  
T

	7	6	5	4	3	2	1	0
<b>Access : POR</b>	RC : 0	RC : 0	RC : 0	RC : 0	RW : 0	RW : 0	RW : 0	RW : 0
<b>Bit Name</b>	INS	COLS	COHS	PPS	INM	COLM	COHM	PPM

This register controls the TrueTouch counter options.

Never modify the interrupt mask bits while the block is enabled. If a modification to bits 3 to 0 is necessary while the block is enabled, then pay close attention to ensure that the status bits 7 to 4, are not accidentally cleared. You do this by writing a '1' to all of the status bits when writing to the mask bits. For additional information, refer to the [Register Definitions on page 92](#) in the TrueTouch Module chapter.

Bit	Name	Description
7	<b>INS</b>	Input Status. 0 No event detected. 1 A rising edge on the selected input was detected. Cleared by writing a '0' to this bit.
6	<b>COLS</b>	Counter Carry Out Low Status. 0 No event detected. 1 A carry out from low byte counter was detected. Cleared by writing a '0' back to this bit.
5	<b>COHS</b>	Counter Carry Out High Status. 0 No event detected. 1 A carry out from high byte counter was detected. Cleared by writing a '0' back to this bit.
4	<b>PPS</b>	Pulse Width/Period Measurement Status. 0 No event detected. 1 A pulse width or period measurement was completed. Cleared by writing a '0' back to this bit.
3	<b>INM</b>	Input Interrupt/Mask. 0 Disabled. 1 Input event is enabled to assert the block interrupt.
2	<b>COLM</b>	Counter Carry Out Low Interrupt Mask. 0 Disabled. 1 Counter carry out low is enabled to assert the block interrupt.
1	<b>COHM</b>	Counter Carry Out High Interrupt Mask. 0 Disabled. 1 Counter carry out high is enabled to assert the block interrupt.
0	<b>PPM</b>	Pulse Width/Period Measurement Interrupt Mask. 0 Disabled. 1 Completion of a pulse width or period measurement is enabled to assert the block interrupt.

0,A7h

## 21.3.30 CS\_TIMER

### TrueTouch Timer Register

#### Individual Register Names and Addresses:

CS\_TIMER : 0,A7h

	7	6	5	4	3	2	1	0
<b>Access : POR</b>								RW : 00
<b>Bit Name</b>								Timer Count Value [6:0]

This register sets the timer count value.

For additional information, refer to the [Register Definitions on page 92](#) in the TrueTouch Module chapter.

Bit	Name	Description
-----	------	-------------

6:0	<b>Timer Count Value[6:0]</b>	Holds the timer count value.
-----	-------------------------------	------------------------------

## 21.3.31 CS\_SLEW

### TrueTouch Slew Control Register

**Individual Register Names and Addresses:**

CS\_SLEW : 0,A8h

	7	6	5	4	3	2	1	0
<b>Access : POR</b>	RW : 00							RW : 0
<b>Bit Name</b>	FastSlew[6:0]							FS_EN

This register enables and controls a fast slewing mode for the relaxation oscillator.

For additional information, refer to the [Register Definitions on page 92](#) in the TrueTouch Module chapter.

Bit	Name	Description
7:1	<b>FastSlew[6:0]</b>	<p>This 7-bit value sets a counter, clocked at the IMO frequency. While the counter is counting down from this value, the relaxation oscillator edge slews at the maximum gain setting. During this interval, the IRANGE bits in the CS_CR2 register are internally set to maximum (11b). At the end of the interval, the user-defined IRANGE level is restored so that the relaxation oscillator continues slewing with a slower edge rate to the target voltage threshold. If the FS_EN bit is low, the FastSlew setting has no effect.</p> <p>After each edge of the relaxation oscillator, the counter is re-loaded and the fast slewing interval re-occurs, followed by the slower edge rate at the end of the count down.</p> <p>Note that the IRANGE bits in the CS_CR2 register always read the user-defined setting. Because the IRANGE value is forced to maximum during this interval, the increase in the edge rate can be 1X, 2X, 4X, or 8X, depending on the programmed value of the IRANGE bits.</p> <p>000000b No fast edge rate interval.            0000001b Minimum fast edge rate interval (1 IMO period).            ...            1111111b Maximum fast edge rate interval (127 IMO period).</p>
0	<b>FS_EN</b>	<p>Enable bit for the Fast Slew mode.</p> <p>0 Fast slew mode disabled.            1 Fast slew mode enabled. After each relaxation oscillator transition, the relaxation oscillator runs with a higher current for a time controlled by the FastSlew bits.</p>

## 21.3.32 PRS\_CR

### Pseudo Ransom Sequence and Prescaler Control Register

#### Individual Register Names and Addresses:

PRS\_CR : 0,A9h

	7	6	5	4	3	2	1	0
Access : POR	RW : 0	RW : 0'	RW : 0'	RW : 0	RW : 0	RW : 0		
Bit Name	CS_CLK_OUT	CS_CLK_INV	PRS_12BIT	PRS_EN	PRESCALE-BYP	PRESCALE_CLK_DIV[2:0]		

This register controls the Prescaler and Pseudo Random Sequence generator output. For additional information, refer to the [Register Definitions on page 92](#) in the TrueTouch Module chapter.

Bit	Name	Description
7	CS_CLK_OUT	<p>This bit selects the TrueTouch clock (inversion or non-inversion depending on bit 6 setting) to be routed onto primary pin depending on the OUT_P1/OUT_P0 register selection.</p> <p>1 Route prescaler output or PRS output depending on CSD_PRSClk in CS_CR0 when in CSD mode, or route clock based on CLKSEL bits in CS_CR1 register in normal TrueTouch mode to primary pins P1[2]/P0[7] depending on OUT_P1/OUT_P0 bit selections instead of normal CSOUT[ selections. See OUT_P1/OUT_P0 registers for details.</p> <p>0 Use CSOUT [1:0] selections as normal.</p>
6	CS_CLK_INV	<p>This bit allows you to route either TrueTouch clock or inversion of the TrueTouch clock onto pin.</p> <p>1 Inverted TrueTouch clock routes to pin (see bit 7).</p> <p>0 Non-inverted TrueTouch clock routes to pin (see bit 7).</p>
5	PRS_12BIT	<p>This bit allows selection between 8-bit PRS or 12-bit PRS output.</p> <p>0 MSB of 8-bit PRS is sent out.</p> <p>1 MSB of 12-bit PRS is sent out</p>
4	PRS_EN	<p>This bit is used to enable or disable the PRS block.</p> <p>0 PRS is disabled. PRS block output is '0'.</p> <p>1 PRS is enabled and the bit 5 decides whether MSB of 12-bit PRS is sent out or MSB of 8-bit PRS is sent out.</p>
3	PRESCALEBYP	<p>This bit is used to bypass the prescaler and pass the input clock undivided onto the output. The output of the prescaler feeds the clock input to the PRS block.</p> <p>0 Divided clock is sent out of prescaler depending on bit [2:0] setting.</p> <p>1 Incoming IMO clock is sent out of prescaler without any division.</p>
2:0	PRESCALE_CLK_DIV[2:0]	<p>These bits allow for one of eight frequencies of incoming IMO clock to be fed as input to PRS.</p> <p>000 Divides the input IMO clock by 2.</p> <p>001 Divides the input IMO clock by 4.</p> <p>010 Divides the input IMO clock by 8.</p> <p>011 Divides the input IMO clock by 16.</p> <p>100 Divides the input IMO clock by 32.</p> <p>101 Divides the input IMO clock by 64.</p> <p>110 Divides the input IMO clock by 128.</p> <p>111 Divides the input IMO clock by 256.</p>

### 21.3.33 PT0\_CFG

#### Programmable Timer 0 Configuration Register

##### Individual Register Names and Addresses:

PT0\_CFG : 0,B0h

	7	6	5	4	3	2	1	0
Access : POR						RW : 0	RW : 0	RW : 0
Bit Name						CLKSEL	One Shot	START

This register configures the programmable timer 0.

In the table above, note that reserved bits are grayed table cells and are not described in the bit description section below. Reserved bits must always be written with a value of '0'. For additional information, refer to the [Register Definitions on page 163](#) in the Programmable Timer chapter.

Bit	Name	Description
2	<b>CLKSEL</b>	This bit determines if the timer runs on the 32 kHz clock or CPU clock. If the bit is set to 1'b1, the timer runs on the CPU clock, otherwise, the timer runs on the 32 kHz clock.
1	<b>One Shot</b>	0 Continuous count mode. Timer reloads the count value from the data registers upon each terminal count, and continues counting. 1 One-shot mode. Timer goes through one complete count period and then stops. Upon completion, the START bit in this register is cleared.
0	<b>START</b>	0 Timer held in reset. 1 Timer counts down from a full count determined from its data registers (PT_DATA1, PT_DATA0). When complete, it either stops or reloads and continues, based on the One Shot bit in this register.

0,B1h

## 21.3.34 PTx\_DATA1

### Programmable Timers Data Register 1

#### Individual Register Names and Addresses:

PT0\_DATA1 : 0,B1h      PT1\_DATA1 : 0,B4h      PT2\_DATA : 0,B7h  
1

	7	6	5	4	3	2	1	0
Access : POR	RW : 00							
Bit Name	DATA[7:0]							

These registers hold the eight bits of the programmable timer's count value for the device.

For additional information, refer to the [Register Definitions on page 163](#) in the Programmable Timer chapter.

Bit	Name	Description
7:0	DATA[7:0]	This is the upper byte of a 16-bit timer. The lower byte is in the corresponding PTx_DATA0 register.

## 21.3.35 PTx\_DATA0

### Programmable Timers Data Register 0

#### Individual Register Names and Addresses:

PT0\_DATA : 0,B2h      PT1\_DATA0 : 0,B5h      PT2\_DATA0 : 0,B8h

	7	6	5	4	3	2	1	0
Access : POR	RW : 00							
Bit Name	DATA[7:0]							

These registers provide the programmable timer with its lower eight bits of the count value.

For additional information, refer to the [Register Definitions on page 163](#) in the Programmable Timer chapter.

Bit	Name	Description
7:0	DATA[7:0]	This is the lower byte of a 16-bit timer. The upper byte is in the corresponding PTxDATA1 register.

## 21.3.36 PT1\_CFG

### Programmable Timer 1 Configuration Register

#### Individual Register Names and Addresses:

PT1\_CFG : 0,B3h

	7	6	5	4	3	2	1	0
Access : POR						RW : 0	RW : 0	RW : 0
Bit Name						CLKSEL	One Shot	START

This register configures the programmable timer 1.

In the table above, note that reserved bits are grayed table cells and are not described in the bit description section below. Reserved bits must always be written with a value of '0'. For additional information, refer to the [Register Definitions on page 163](#) in the Programmable Timer chapter.

Bit	Name	Description
2	CLKSEL	This bit determines if the timer runs on the 32 kHz clock or CPU clock. If the bit is set to 1'b1, the timer runs on the CPU clock, otherwise, the timer runs on the 32 kHz clock.
1	One Shot	0 Continuous count mode. Timer reloads the count value from the data registers upon each terminal count, and continues counting. 1 One-shot mode. Timer goes through one complete count period and then stops. Upon completion, the START bit in this register is cleared.
0	START	0 Timer held in reset. 1 Timer counts down from a full count determined from its data registers (PT_DATA1, PT_DATA0). When complete, it either stops or reloads and continues, based on the One Shot bit in this register.



## 21.3.37 PT2\_CFG

### Programmable Timer 2 Configuration Register

#### Individual Register Names and Addresses:

PT2\_CFG : 0,B6h

	7	6	5	4	3	2	1	0
Access : POR						RW : 0	RW : 0	RW : 0
Bit Name						CLKSEL	One Shot	START

This register configures the programmable timer 2.

In the table above, note that reserved bits are grayed table cells and are not described in the bit description section below. Reserved bits must always be written with a value of '0'. For additional information, refer to the [Register Definitions on page 163](#) in the Programmable Timer chapter.

Bit	Name	Description
2	<b>CLKSEL</b>	This bit determines if the timer runs on the 32 kHz clock or CPU clock. If the bit is set to 1'b1, the timer runs on the CPU clock, otherwise, the timer runs on the 32 kHz clock.
1	<b>One Shot</b>	0 Continuous count mode. Timer reloads the count value from the data registers upon each terminal count, and continues counting. 1 One-shot mode. Timer goes through one complete count period and then stops. Upon completion, the START bit in this register is cleared.
0	<b>START</b>	0 Timer held in reset. 1 Timer counts down from a full count determined from its data registers (PT_DATA1, PT_DATA0). When complete, it either stops or reloads and continues, based on the One Shot bit in this register.

## 21.3.38 I2C\_XCFG

### I<sup>2</sup>C Extended Configuration Register

#### Individual Register Names and Addresses:

I2C\_XCFG: 0,C8h

	7	6	5	4	3	2	1	0
Access : POR					RW : 0		RW : 0	RW : 0
Bit Name					No BC Int		Buffer Mode	HW Addr En

This register configures enhanced features. The Enable bit (bit 0) of the [I2C\\_CFG](#) (0,D6h) register should be set to 1'b1 for the I2C enhanced features to work.

In the table above, note that reserved bits are grayed table cells and are not described in the bit description section below. Always write reserved bits with a value of '0'. For additional information, refer to the [Register Definitions on page 122](#) in the I2C Slave chapter.

Bit	Name	Description
3	No BC Int	In compatibility mode, every received or transmitted byte generates a Byte Complete Interrupt. This is also true in buffered mode regardless of whether the bus is stalled or not. <b>Note</b> When this bit is set to a '1', A BC interrupt is not enabled for any data byte that is automatically ACK'ed (i.e., does not require the bus to stall). A BC interrupt is always generated upon any stall so the CPU takes the appropriate action. When the bit is set, it is possible to implement packet transfers without CPU intervention by enabling an interrupt upon the Stop detect.
1	Buffer Mode	This bit determines the operation mode of the enhanced buffer module. The following table describes the available modes.

Buffer Mode	Name	Description
0	Compatible	There is no buffering in the default compatibility mode. The I2C bus is stalled upon every received or transmitted byte, including address bytes. The CPU is required to process the interrupt and write or read the data and status as required to continue the operation.
1	EZI2C	The I2C slave appears as a 32-byte RAM interface to an external master. A specific protocol must be followed, in which the master controls the RAM pointer for both read and write operations. The I2C bus is never stalled. Receive ACKs are automatically generated. The CPU is responsible for putting valid data into the RAM for external reads, and for reading received data.

0	HW Addr En	When this bit is set to a '1', hardware address compare is enabled. When enabled, bit 3 in the I2C_SCR register is not set. Upon a compare, the address is automatically ACK'ed, and upon a mismatch, the address is automatically NACK'ed and the hardware reverts to an idle state waiting for the next Start detection. You must configure the compare address in the I2C_ADDR register. When this bit is a '0', bit 3 of the I2C_SCR register is set and the bus stalls, and the received address is available in the I2C_DR register to enable the CPU to do a firmware address compare. The functionality of this bit is independent of the data buffering mode.
---	------------	--

### 21.3.39 I2C\_XSTAT

#### I<sup>2</sup>C Extended Status Register

**Individual Register Names and Addresses:**

I2C\_XSTAT : 0,C9h

	7	6	5	4	3	2	1	0
Access : POR							R : 0	R : 0
Bit Name							Dir	Slave Busy

This register reads enhanced feature status.

When the bits of the [I2C\\_XCFG](#) register are left in their reset state, the block is in compatibility mode and this register is not in use. In the table above, note that reserved bits are grayed table cells and are not described in the bit description section below. Always write reserved bits with a value of '0'. For additional information, refer to the [Register Definitions on page 122](#) in the I2C Slave chapter.

Bit	Name	Description
1	<b>Dir</b>	This bit indicates the direction of the current transfer. A '1' indicates a master read, and a '0' indicates a master write. It is only valid when the Slave Busy bit (bit 0) is set to a '1'.
0	<b>Slave Busy</b>	This bit is set upon a hardware compare and is reset upon the following stop signal. Poll this bit to determine when the slave is busy and the buffer module is being accessed.

0,CAh

## 21.3.40 I2C\_ADDR

### I<sup>2</sup>C Slave Address Register

#### Individual Register Names and Addresses:

0,CAh

0,00h

I2C\_ADDR : 0,CAh

	7	6	5	4	3	2	1	0
Access : POR								RW : 00
Bit Name								Slave Address[6:0]

This register holds the slave's 7-bit address.

When hardware address compare mode is not enabled in the [I2C\\_XCFG](#) register, this register is not in use. In the table above, note that the reserved bit is a grayed table cell and not described in the bit description section below. Always write reserved bits with a value of '0'. For additional information, refer to the [Register Definitions on page 122](#) in the I2C Slave chapter.

Bit	Name	Description
6:0	Slave Address[6:0]	These seven bits hold the slave's own device address.

## 21.3.41 I2C\_BP

### I<sup>2</sup>C Base Address Pointer Register

**Individual Register Names and Addresses:**

I2C\_BP : 0, CBh

	7	6	5	4	3	2	1	0
Access : POR					R : 00			
Bit Name					I2C Base Pointer[4:0]			

This register contains the base address value of the RAM data buffer and is read only.

In the table above, note that reserved bits are grayed table cells and are not described in the bit description section below. Always write reserved bits with a value of '0'. For additional information, refer to the [Register Definitions on page 122](#) in the I2C Slave chapter.

Bit	Name	Description
4:0	<b>I2C Base Pointer[4:0]</b>	<p>In the EZI2C protocol, the first data byte after the slave address transaction in write mode is the base address for subsequent reads and writes and it is transferred directly into this register. If the desired transaction is a master write to the slave, subsequent bytes are written to the RAM buffer starting with this address and auto incremented (see I2C_CP register). In case of a read, a Start or Restart must be issued and the read location starts with this address and again subsequent read addresses are auto incremented as pointed to by the I2C_CP register value.</p> <p>The value of this register is modified only at the beginning of every I2C write transaction. The I2C master must always supply a value for this register in the first byte of data after the slave's address in a given write transaction. If performing reads, the master need not set the value of this register. The current value of this register is also used directly for reads.</p>

## 21.3.42 I2C\_CP

### I<sup>2</sup>C Current Address Pointer Register

#### Individual Register Names and Addresses: 00000000

I2C\_CP : 0,CCh

	7	6	5	4	3	2	1	0
Access : POR				R : 00				
Bit Name				I2C Current Pointer[4:0]				

This register contains the current address value of the RAM data buffer and is read only.

In the table above, note that reserved bits are grayed table cells and are not described in the bit description section below. Always write reserved bits with a value of '0'. For additional information, refer to the [Register Definitions on page 122](#) in the I2C Slave chapter.

Bit	Name	Description
4:0	<b>I2C Current Pointer[4:0]</b>	This register is set at the same time and with the same value to which the I2C_BP register is set. After each completed data byte of the current I2C transaction, the value of this register is incremented by one. The value of this register always determines the location that read or write data comes from or is written to. This register is set to the value contained in the I2C_BP Register on every start condition detected in the bus.

### 21.3.43 CPU\_BP

#### CPU Base Address Pointer Register

**Individual Register Names and Addresses:** CPU\_BP

CPU\_BP : 0,CDh

	7	6	5	4	3	2	1	0
<b>Access : POR</b>				RW : 00				
<b>Bit Name</b>				CPU Base Pointer[4:0]				

This register contains the base address value of the RAM data buffer.

In the table above, note that reserved bits are grayed table cells and are not described in the bit description section below. Always write reserved bits with a value of '0'. For additional information, refer to the [Register Definitions on page 122](#) in the I2C Slave chapter.

Bit	Name	Description
4:0	<b>CPU Base Pointer[4:0]</b>	This register value is completely controlled by I/O writes by the CPU. Firmware routines must set this register. Similar to the I2C_BP_WR, the value of this register sets the starting address for the data location being written to or read from. When this register is written, the current address pointer CPU_CP is also updated with the same value. The first read or write from/to the I2C_BUF register starts at this address. The location of the data in subsequent read or writes is determined by the CPU_CP register value, which auto increments after each read or write. Firmware makes certain that the slave device always has valid data or the data is read before overwritten.

## 21.3.44 CPU\_CP

### CPU Current Address Pointer Register

#### Individual Register Names and Addresses: 0,CEh

CPU\_CP : 0,CEh

	7	6	5	4	3	2	1	0
Access : POR				R : 00				
Bit Name				CPU Current Pointer [4:0]				

This register is a pointer into the RAM buffer for CPU reads and writes and is read only.

In the table above, note that reserved bits are grayed table cells and are not described in the bit description section below. Always write reserved bits with a value of '0'. For additional information, refer to the [Register Definitions on page 122](#) in the I2C Slave chapter.

Bit	Name	Description
4:0	<b>CPU Current Pointer[4:0]</b>	This register is set at the same time and with the same value to which the CPU_BP register is set. Whenever the I2C_BUF register is written to or read from, the CPU_CP automatically increments.



## 21.3.45 I2C\_BUF

### I<sup>2</sup>C Data Buffer Register

**Individual Register Names and Addresses:** I2C\_BUF

I2C\_BUF : 0,CFh

	7	6	5	4	3	2	1	0
<b>Access : POR</b>	RW : 00							
<b>Bit Name</b>	Data Buffer [7: 0]							

This register is the CPU read/write interface to the data buffer.

For additional information, refer to the [Register Definitions on page 122](#) in the I2C Slave chapter.

Bit	Name	Description
7:0	<b>Data Buffer[7:0]</b>	The I2C Data Buffer Register (I2C_BUF) is the CPU read/write interface to the data buffer. Whenever this register is read, the data at the location pointed to by CPU current pointer (CPU_CP) is returned. Similarly, whenever this register is written, the data is transferred to the buffer and written at the location pointed to by the CPU current pointer (CPU_CP). Whenever this register is read without initializing the RAM contents either through the I2C or CPU interface, no valid value is returned.

## 21.3.46 CUR\_PP

### Current Page Pointer Register

#### Individual Register Names and Addresses:

CUR\_PP : 0,D0h

	7	6	5	4	3	2	1	0
Access : POR							RW : 0	
Bit Name							Page Bits[2:0]	

This register is used to set the effective SRAM page for normal memory accesses in a multi-SRAM page device. It is only used when a device has more than one SRAM page.

In the table above, note that reserved bits are grayed table cells and are not described in the bit description section below. Reserved bits must always be written with a value of '0'. For additional information, refer to the [Register Definitions on page 42](#) in the RAM Paging chapter.

Bit	Name	Description
2:0	Page Bits[2:0]	Bits determine which SRAM page is used for generic SRAM access. See the <a href="#">RAM Paging chapter on page 39</a> for more information.
	000b	SRAM Page 0
	001b	SRAM Page 1
	010b	SRAM Page 2
	011b	SRAM Page 3
	100b	SRAM Page 4
	101b	SRAM Page 5
	110b	SRAM Page 6
	111b	SRAM Page 7

## 21.3.47 STK\_PP

### Stack Page Pointer Register

**Individual Register Names and Addresses:**

0,D1h

STK\_PP : 0,D1h

	7	6	5	4	3	2	1	0
<b>Access : POR</b>						RW : 0		
<b>Bit Name</b>						Page Bits[2:0]		

This register is used to set the effective SRAM page for stack memory accesses in a multi-SRAM page PSoC device. It is only used when a device has more than one SRAM page.

In the table above, note that reserved bits are grayed table cells and are not described in the bit description section below. Reserved bits must always be written with a value of '0'. For additional information, refer to the [Register Definitions on page 42](#) in the RAM Paging chapter.

Bit	Name	Description
2:0	<b>Page Bits[2:0]</b>	Bits determine which SRAM page is used to hold the stack. See the <a href="#">RAM Paging chapter on page 39</a> for more information. 000b SRAM Page 0 001b SRAM Page 1 010b SRAM Page 2 011b SRAM Page 3 100b SRAM Page 4 101b SRAM Page 5 110b SRAM Page 6 111b SRAM Page 7

## 21.3.48 IDX\_PP

### Indexed Memory Access Page Pointer Register

**Individual Register Names and Addresses:**

IDX\_PP : 0,D3h

	7	6	5	4	3	2	1	0
<b>Access : POR</b>							RW : 0	
<b>Bit Name</b>							Page Bits[2:0]	

This register is used to set the effective SRAM page for indexed memory accesses in a multi-SRAM page PSoC device.

This register is only used when a device has more than one page of SRAM. In the table above, note that reserved bits are grayed table cells and are not described in the bit description section below. Reserved bits must always be written with a value of '0'. For additional information, refer to the [Register Definitions on page 42](#) in the RAM Paging chapter.

Bit	Name	Description
2:0	Page Bits[2:0]	Bits determine which SRAM page an indexed memory access operates on. See the <a href="#">Register Definitions on page 42</a> for more information on when this register is active.
		000b SRAM Page 0
		001b SRAM Page 1
		010b SRAM Page 2
		011b SRAM Page 3
		100b SRAM Page 4
		101b SRAM Page 5
		110b SRAM Page 6
		111b SRAM Page 7

## 21.3.49 MVR\_PP

### MVI Read Page Pointer Register

**Individual Register Names and Addresses:**

MVR\_PP : 0,D4h

	7	6	5	4	3	2	1	0
<b>Access : POR</b>							RW : 0	
<b>Bit Name</b>							Page Bits[2:0]	

This register is used to set the effective SRAM page for MVI read memory accesses in a multi-SRAM page PSoC device.

This register is only used when a device has more than one page of SRAM. In the table above, note that reserved bits are grayed table cells and are not described in the bit description section below. Reserved bits must always be written with a value of '0'. For additional information, refer to the [Register Definitions on page 42](#) in the RAM Paging chapter.

Bit	Name	Description
2:0	<b>Page Bits[2:0]</b>	Bits determine which SRAM page an MVI Read instruction operates on.
		000b SRAM Page 0
		001b SRAM Page 1
		010b SRAM Page 2
		011b SRAM Page 3
		100b SRAM Page 4
		101b SRAM Page 5
		110b SRAM Page 6
		111b SRAM Page 7

## 21.3.50 MVW\_PP

### MVI Write Page Pointer Register

#### Individual Register Names and Addresses:

MVW\_PP : 0,D5h

	7	6	5	4	3	2	1	0
Access : POR							RW : 0	
Bit Name							Page Bits[2:0]	

This register is used to set the effective SRAM page for MVI write memory accesses in a multi-SRAM page PSoC device.

This register is only used when a device has more than one page of SRAM. In the table above, note that reserved bits are grayed table cells and are not described in the bit description section below. Reserved bits must always be written with a value of '0'. For additional information, refer to the [Register Definitions on page 42](#) in the RAM Paging chapter.

Bit	Name	Description
2:0	Page Bits[2:0]	Bits determine which SRAM page an MVI Write instruction operates on.
	000b	SRAM Page 0
	001b	SRAM Page 1
	010b	SRAM Page 2
	011b	SRAM Page 3
	100b	SRAM Page 4
	101b	SRAM Page 5
	110b	SRAM Page 6
	111b	SRAM Page 7

## 21.3.51 I2C\_CFG

### I<sup>2</sup>C Configuration Register

**Individual Register Names and Addresses:** 0,D6h

I2C\_CFG : 0,D6h

	7	6	5	4	3	2	1	0
<b>Access : POR</b>		RW : 0		RW : 0		RW : 0		RW : 0
<b>Bit Name</b>		PSelect		Stop IE		Clock Rate[1:0]		Enable

This register is used to set the basic operating modes, baud rate, and interrupt selection.

In the table above, note that reserved bits are grayed table cells and are not described in the bit description section below. Always write reserved bits with a value of '0'. For additional information, refer to the [Register Definitions on page 122](#) in the I2C Slave chapter.

Bit	Name	Description
6	<b>P Select</b>	I2C Pin Select. 0 P1[5] and P1[7]. 1 P1[0] and P1[1]. <b>Note</b> Read the I2C Slave chapter for a discussion of the side effects of choosing the P1[0] and P1[1] pair of pins.
4	<b>Stop IE</b>	Stop Interrupt Enable. 0 Disabled. 1 Enabled. An interrupt is generated on the detection of a Stop condition.
3:2	<b>Clock Rate[1:0]</b>	00b 100K Standard Mode. 01b 400K Fast Mode. 10b 50K Standard Mode. 11b Reserved..
0	<b>Enable</b>	0 Disabled. 1 Enabled.

## 21.3.52 I2C\_SCR

### I<sup>2</sup>C Status and Control Register

#### Individual Register Names and Addresses:

I2C\_SCR : 0,D7h

	7	6	5	4	3	2	1	0
<b>Access : POR</b>	RC : 0		RC : 0	RW : 0	RC : 0	RW : 0	RC : 0	RC : 0
<b>Bit Name</b>	Bus Error		Stop Status	ACK	Address	Transmit	LRB	Byte Complete

This register is used by the slave to control the flow of data bytes and to keep track of the bus state during a transfer.

Bits in this register are held in reset until one of the enable bits in I2C\_CFG is set. In the table above, note that the reserved bit is a grayed table cell and not described in the bit description section below. Reserved bits must always be written with a value of '0'. For additional information, refer to the [Register Definitions on page 122](#) in the I2C Slave chapter.

Bit	Name	Description
7	<b>Bus Error</b>	0 Status bit. It must be cleared by firmware by writing a '0' to the bit position. It is never cleared by the hardware. 1 A misplaced Start or Stop condition was detected.
5	<b>Stop Status</b>	0 Status bit. It must be cleared by firmware with a write of '0' to the bit position. It is never cleared by the hardware. 1 A Stop condition was detected.
4	<b>ACK</b>	Acknowledge Out. Bit is automatically cleared by hardware upon a Byte Complete event. 0 NACK the last received byte. 1 ACK the last received byte
3	<b>Address</b>	0 Status bit. It must be cleared by firmware with a write of '0' to the bit position. 1 The received byte is a slave address.
2	<b>Transmit</b>	Bit is set by firmware to define the direction of the byte transfer. Any Start detect or a write to the Start or Restart generate bits when operating in master mode also clears the bit. 0 Receive mode. 1 Transmit mode.
1	<b>LRB</b>	Last Received Bit. The value of the 9 <sup>th</sup> bit in a Transmit sequence, which is the acknowledge bit from the receiver. Any Start detect or a write to the Start or Restart generate bits when operating in master mode also clears the bit. 0 Last transmitted byte was ACK'ed by the receiver. 1 Last transmitted byte was NACK'ed by the receiver.
0	<b>Byte Complete</b>	Transmit/Receive Mode: 0 No completed transmit/receive since last cleared by firmware. Any Start detect or a write to the Start or Restart generate bits when operating in master mode also clears the bit. Transmit Mode: 1 Eight bits of data have been transmitted and an ACK or NACK has been received. Receive Mode: 1 Eight bits of data have been received.



### 21.3.53 I2C\_DR

#### I<sup>2</sup>C Data Register

**Individual Register Names and Addresses:** 0,D8h

I2C\_DR : 0,D8h

	7	6	5	4	3	2	1	0
<b>Access : POR</b>	RW : 00							
<b>Bit Name</b>	Data[7:0]							

This register provides read/write access to the Shift register.

This register is read only for received data and write only for transmitted data. For additional information, refer to the [Register Definitions on page 122](#) in the I2C Slave chapter.

Bit	Name	Description
7:0	Data[7:0]	Read received data or write data to transmit.

## 21.3.54 INT\_CLR0

### Interrupt Clear Register 0

#### Individual Register Names and Addresses:

INT\_CLR0 : 0,DAh

	7	6	5	4	3	2	1	0
<b>Access : POR</b>	RW : 0	RW : 0	RW : 0	RW : 0	RW : 0	RW : 0	RW : 0	RW : 0
<b>Bit Name</b>	I2C	Sleep	SPI	GPIO	Timer0	TrueTouch	Analog	V Monitor

This register enables the individual interrupt sources' ability to clear posted interrupts.

When bits in this register are read, a '1' is returned for every bit position that has a corresponding posted interrupt. When bits in this register are written with a '0' and ENSWINT is not set, posted interrupts are cleared at the corresponding bit positions. If there is no posted interrupt, there is no effect. When bits in this register are written with a '1' and ENSWINT is set, an interrupt is posted in the interrupt controller.

For additional information, refer to the [Register Definitions on page 48](#) in the Interrupt Controller chapter.

Bit	Name	Description
7	I2C	Read 0 No posted interrupt for I2C. Read 1 Posted interrupt present for I2C. Write 0 AND ENSWINT = 0 Clear posted interrupt if it exists. Write 1 AND ENSWINT = 0 No effect. Write 0 AND ENSWINT = 1 No effect. Write 1 AND ENSWINT = 1 Post an interrupt for I2C.
6	Sleep	Read 0 No posted interrupt for sleep timer. Read 1 Posted interrupt present for sleep timer. Write 0 AND ENSWINT = 0 Clear posted interrupt if it exists. Write 1 AND ENSWINT = 0 No effect. Write 0 AND ENSWINT = 1 No effect. Write 1 AND ENSWINT = 1 Post an interrupt for sleep timer.
5	SPI	Read 0 No posted interrupt for SPI. Read 1 Posted interrupt present for SPI. Write 0 AND ENSWINT = 0 Clear posted interrupt if it exists. Write 1 AND ENSWINT = 0 No effect. Write 0 AND ENSWINT = 1 No effect. Write 1 AND ENSWINT = 1 Post an interrupt for SPI.
4	GPIO	Read 0 No posted interrupt for general purpose inputs and outputs (GPIO) (pins). Read 1 Posted interrupt present for GPIO (pins). Write 0 AND ENSWINT = 0 Clear posted interrupt if it exists. Write 1 AND ENSWINT = 0 No effect. Write 0 AND ENSWINT = 1 No effect. Write 1 AND ENSWINT = 1 Post an interrupt for general purpose inputs and outputs (pins).

(continued on next page)

### 21.3.54 INT\_CLR0 (continued)

<b>3</b>	<b>Timer0</b>	<p>Read 0 No posted interrupt for Timer.</p> <p>Read 1 Posted interrupt present for Timer.</p> <p>Write 0 AND ENSWINT = 0 Clear posted interrupt if it exists.</p> <p>Write 1 AND ENSWINT = 0 No effect.</p> <p>Write 0 AND ENSWINT = 1 No effect.</p> <p>Write 1 AND ENSWINT = 1 Post an interrupt for Timer.</p>
<b>2</b>	<b>TrueTouch</b>	<p>Read 0 No posted interrupt for TrueTouch.</p> <p>Read 1 Posted interrupt present for TrueTouch.</p> <p>Write 0 AND ENSWINT = 0 Clear posted interrupt if it exists.</p> <p>Write 1 AND ENSWINT = 0 No effect.</p> <p>Write 0 AND ENSWINT = 1 No effect.</p> <p>Write 1 AND ENSWINT = 1 Post an interrupt for TrueTouch.</p>
<b>1</b>	<b>Analog</b>	<p>Read 0 No posted interrupt for Analog.</p> <p>Read 1 Posted interrupt present for Analog.</p> <p>Write 0 AND ENSWINT = 0 Clear posted interrupt if it exists.</p> <p>Write 1 AND ENSWINT = 0 No effect.</p> <p>Write 0 AND ENSWINT = 1 No effect.</p> <p>Write 1 AND ENSWINT = 1 Post an interrupt for Analog.</p>
<b>0</b>	<b>V Monitor</b>	<p>Read 0 No posted interrupt for Supply Voltage Monitor.</p> <p>Read 1 Posted interrupt present for Supply Voltage Monitor.</p> <p>Write 0 AND ENSWINT = 0 Clear posted interrupt if it exists.</p> <p>Write 1 AND ENSWINT = 0 No effect.</p> <p>Write 0 AND ENSWINT = 1 No effect.</p> <p>Write 1 AND ENSWINT = 1 Post an interrupt for Supply Voltage Monitor.</p>

## 21.3.55 INT\_CLR1

### Interrupt Clear Register 1

#### Individual Register Names and Addresses:

INT\_CLR1 : 0,DBh

	7	6	5	4	3	2	1	0
<b>Access : POR</b>	RW : 0	RW : 0	RW : 0	RW : 0	RW : 0	RW : 0	RW : 0	RW : 0
<b>Bit Name</b>	Endpoint3	Endpoint2	Endpoint1	Endpoint0	USB_SOF	USB_BUS_RST	Timer2	Timer1

This register is used to enable the individual interrupt sources' ability to clear posted interrupts.

When bits in this register are read, a '1' is returned for every bit position that has a corresponding posted interrupt. When bits in this register are written with a '0' and ENSWINT is not set, posted interrupts are cleared at the corresponding bit positions. If there is no posted interrupt, there is no effect. When bits in this register are written with a '1' and ENSWINT is set, an interrupt is posted in the interrupt controller.

For additional information, refer to the [Register Definitions on page 48](#) in the Interrupt Controller chapter.

Bit	Name	Description
7	<b>Endpoint3</b>	Read 0 No posted interrupt for USB Endpoint3. Read 1 Posted interrupt present for USB Endpoint3. Write 0 AND ENSWINT = 0 Clear posted interrupt if it exists. Write 1 AND ENSWINT = 0 No effect. Write 0 AND ENSWINT = 1 No effect. Write 1 AND ENSWINT = 1 Post an interrupt for USB Endpoint3.
6	<b>Endpoint2</b>	Read 0 No posted interrupt for USB Endpoint2. Read 1 Posted interrupt present for USB Endpoint2. Write 0 AND ENSWINT = 0 Clear posted interrupt if it exists. Write 1 AND ENSWINT = 0 No effect. Write 0 AND ENSWINT = 1 No effect. Write 1 AND ENSWINT = 1 Post an interrupt for USB Endpoint2.
5	<b>Endpoint1</b>	Read 0 No posted interrupt for USB Endpoint1. Read 1 Posted interrupt present for USB Endpoint1. Write 0 AND ENSWINT = 0 Clear posted interrupt if it exists. Write 1 AND ENSWINT = 0 No effect. Write 0 AND ENSWINT = 1 No effect. Write 1 AND ENSWINT = 1 Post an interrupt for USB Endpoint1.

(continued on next page)

### 21.3.55 INT\_CLR1 (continued)

<b>4</b>	<b>Endpoint0</b>	Read 0 No posted interrupt for USB Endpoint0. Read 1 Posted interrupt present for USB Endpoint0. Write 0 AND ENSWINT = 0 Clear posted interrupt if it exists. Write 1 AND ENSWINT = 0 No effect. Write 0 AND ENSWINT = 1 No effect. Write 1 AND ENSWINT = 1 Post an interrupt for USB Endpoint0.
<b>3</b>	<b>USB_SOF</b>	Read 0 No posted interrupt for USB Start of Frame (SOF). Read 1 Posted interrupt present for USB Start of Frame (SOF). Write 0 AND ENSWINT = 0 Clear posted interrupt if it exists. Write 1 AND ENSWINT = 0 No effect. Write 0 AND ENSWINT = 1 No effect. Write 1 AND ENSWINT = 1 Post an interrupt for USB Start of Frame(SOF).
<b>2</b>	<b>USB_BUS_RST</b>	Read 0 No posted interrupt for USB Bus Reset. Read 1 Posted interrupt present for USB Bus Reset. Write 0 AND ENSWINT = 0 Clear posted interrupt if it exists. Write 1 AND ENSWINT = 0 No effect. Write 0 AND ENSWINT = 1 No effect. Write 1 AND ENSWINT = 1 Post an interrupt for USB Bus Reset.
<b>1</b>	<b>Timer2</b>	Read 0 No posted interrupt for Timer2. Read 1 Posted interrupt present for Timer2. Write 0 AND ENSWINT = 0 Clear posted interrupt if it exists. Write 1 AND ENSWINT = 0 No effect. Write 0 AND ENSWINT = 1 No effect. Write 1 AND ENSWINT = 1 Post an interrupt for Timer2.
<b>0</b>	<b>Timer1</b>	Read 0 No posted interrupt for Timer1. Read 1 Posted interrupt present for Timer1. Write 0 AND ENSWINT = 0 Clear posted interrupt if it exists. Write 1 AND ENSWINT = 0 No effect. Write 0 AND ENSWINT = 1 No effect. Write 1 AND ENSWINT = 1 Post an interrupt for Timer1.

## 21.3.56 INT\_CLR2

### Interrupt Clear Register 2

#### Individual Register Names and Addresses:

INT\_CLR2 : 0,DCh

	7	6	5	4	3	2	1	0
<b>Access : RW:00</b>			RW : 0	RW : 0	RW : 0	RW : 0	RW : 0	RW : 0
<b>Bit Name</b>			USB_WAKE	Endpoint8	Endpoint7	Endpoint6	Endpoint5	Endpoint4

This register is used to enable the individual interrupt sources' ability to clear posted interrupts.

When bits in this register are read, a '1' is returned for every bit position that has a corresponding posted interrupt. When bits in this register are written with a '0' and ENSWINT is not set, posted interrupts are cleared at the corresponding bit positions. If there is no posted interrupt, there is no effect. In the table above, note that reserved bits are grayed table cells and are not described in the bit description section below. Reserved bits must always be written with a value of '0'. When bits in this register are written with a '1' and ENSWINT is set, an interrupt is posted in the interrupt controller. For additional information, refer to the [Register Definitions on page 48](#) in the Interrupt Controller chapter.

Bit	Name	Description
5	USB_WAKE	Read 0 No posted interrupt for USB Wake. Read 1 Posted interrupt present for USB Wake. Write 0 AND ENSWINT = 0 Clear posted interrupt if it exists. Write 1 AND ENSWINT = 0 No effect. Write 0 AND ENSWINT = 1 No effect. Write 1 AND ENSWINT = 1 Post an interrupt for USB Wake.
4	Endpoint8	Read 0 No posted interrupt for USB Endpoint8. Read 1 Posted interrupt present for USB Endpoint8. Write 0 AND ENSWINT = 0 Clear posted interrupt if it exists. Write 1 AND ENSWINT = 0 No effect. Write 0 AND ENSWINT = 1 No effect. Write 1 AND ENSWINT = 1 Post an interrupt for USB Endpoint8.

(continued on next page)

### 21.3.56 INT\_CLR2 (continued)

<b>3</b>	<b>Endpoint7</b>	Read 0 No posted interrupt for USB Endpoint7. Read 1 Posted interrupt present for USB Endpoint7. Write 0 AND ENSWINT = 0 Clear posted interrupt if it exists. Write 1 AND ENSWINT = 0 No effect. Write 0 AND ENSWINT = 1 No effect. Write 1 AND ENSWINT = 1 Post an interrupt for USB Endpoint7.
<b>2</b>	<b>Endpoint6</b>	Read 0 No posted interrupt for USB Endpoint6. Read 1 Posted interrupt present for USB Endpoint6. Write 0 AND ENSWINT = 0 Clear posted interrupt if it exists. Write 1 AND ENSWINT = 0 No effect. Write 0 AND ENSWINT = 1 No effect. Write 1 AND ENSWINT = 1 Post an interrupt for USB Endpoint6.
<b>1</b>	<b>Endpoint5</b>	Read 0 No posted interrupt for USB Endpoint5. Read 1 Posted interrupt present for USB Endpoint5. Write 0 AND ENSWINT = 0 Clear posted interrupt if it exists. Write 1 AND ENSWINT = 0 No effect. Write 0 AND ENSWINT = 1 No effect. Write 1 AND ENSWINT = 1 Post an interrupt for USB Endpoint5
<b>0</b>	<b>Endpoint4</b>	Read 0 No posted interrupt for USB Endpoint4. Read 1 Posted interrupt present for USB Endpoint4. Write 0 AND ENSWINT = 0 Clear posted interrupt if it exists. Write 1 AND ENSWINT = 0 No effect. Write 0 AND ENSWINT = 1 No effect. Write 1 AND ENSWINT = 1 Post an interrupt for USB Endpoint4.

## 21.3.57 INT\_MSK2

### Interrupt Mask Register 2

#### Individual Register Names and Addresses:

INT\_MSK2 : 0,DEh

	7	6	5	4	3	2	1	0
Access : POR			RW : 0	RW : 0	RW : 0	RW : 0	RW : 0	RW : 0
Bit Name			USB Wakeup	Endpoint8	Endpoint7	Endpoint6	Endpoint5	Endpoint4

This register enables the individual sources' ability to create pending interrupts.

When an interrupt is masked off, the mask bit is '0'. The interrupt continues to post in the interrupt controller. Clearing the mask bit only prevents a posted interrupt from becoming a pending interrupt. In the table above, note that reserved bits are grayed table cells and are not described in the bit description section below. Reserved bits must always be written with a value of '0'. For additional information, refer to the [Register Definitions on page 48](#) in the Interrupt Controller chapter.

Bit	Name	Description	
5	USB Wakeup	0	Mask USB Wakeup interrupt.
		1	Unmask USB Wakeup interrupt.
4	Endpoint8	0	Mask USB Endpoint8 interrupt.
		1	Unmask USB Endpoint8 interrupt.
3	Endpoint7	0	Mask USB Endpoint7 interrupt.
		1	Unmask USB Endpoint7 interrupt.
2	Endpoint6	0	Mask USB Endpoint6 interrupt.
		1	Unmask USB Endpoint6 interrupt.
1	Endpoint5	0	Mask USB Endpoint5 interrupt.
		1	Unmask USB Endpoint5 interrupt.
0	Endpoint4	0	Mask USB Endpoint4 interrupt.
		1	Unmask USB Endpoint4 interrupt.



## 21.3.58 INT\_MSK1

### Interrupt Mask Register 1

#### Individual Register Names and Addresses:

INT\_MSK1 : 0,DFh

	7	6	5	4	3	2	1	0
Access : POR	RW : 0	RW : 0	RW : 0	RW : 0	RW : 0	RW : 0	RW : 0	RW : 0
Bit Name	Endpoint3	Endpoint2	Endpoint1	Endpoint0	USB SOF	USB Bus Reset	Timer2	Timer1

This register enables the individual sources' ability to create pending interrupts.

When an interrupt is masked off, the mask bit is '0'. The interrupt continues to post in the interrupt controller. Clearing the mask bit only prevents a posted interrupt from becoming a pending interrupt.

For additional information, refer to the [Register Definitions on page 48](#) in the Interrupt Controller chapter.

Bit	Name		Description
7	Endpoint3	0	Mask USB Endpoint3 interrupt.
		1	Unmask USB Endpoint3 interrupt.
6	Endpoint2	0	Mask USB Endpoint2 interrupt.
		1	Unmask USB Endpoint2 interrupt.
5	Endpoint1	0	Mask USB Endpoint1 interrupt.
		1	Unmask USB Endpoint1 interrupt.
4	Endpoint0	0	Mask USB Endpoint0 interrupt.
		1	Unmask USB Endpoint0 interrupt.
3	USB SOF	0	Mask USB SOF interrupt.
		1	Unmask USB SOF interrupt.
2	USB Bus Reset	0	Mask USB Bus Reset interrupt.
		1	Unmask USB Bus Reset interrupt.
1	Timer2	0	Mask Timer2 interrupt.
		1	Unmask Timer2 interrupt.
0	Timer1	0	Mask Timer1 interrupt.
		1	Unmask Timer1 interrupt.

## 21.3.59 INT\_MSK0

### Interrupt Mask Register 0

#### Individual Register Names and Addresses:

INT\_MSK0 : 0,E0h

	7	6	5	4	3	2	1	0
<b>Access : POR</b>	RW : 0	RW : 0	RW : 0	RW : 0	RW : 0	RW : 0	RW : 0	RW : 0
<b>Bit Name</b>	I2C	Sleep	SPI	GPIO	Timer0	TrueTouch	Analog	V Monitor

This register enables the individual sources' ability to create pending interrupts.

When an interrupt is masked off, the mask bit is '0'. The interrupt continues to post in the interrupt controller. Clearing the mask bit only prevents a posted interrupt from becoming a pending interrupt. For additional information, refer to the [Register Definitions on page 48](#) in the Interrupt Controller chapter.

Bit	Name	Description	
7	I2C	0	Mask I2C interrupt.
		1	Unmask I2C interrupt.
6	Sleep	0	Mask Sleep interrupt.
		1	Unmask Sleep interrupt.
5	SPI	0	Mask SPI interrupt.
		1	Unmask SPI interrupt.
4	GPIO	0	Mask GPIO interrupt.
		1	Unmask GPIO interrupt.
3	Timer0	0	Mask Timer0 interrupt.
		1	Unmask Timer0 interrupt.
2	TrueTouch	0	Mask TrueTouch interrupt.
		1	Unmask TrueTouch interrupt.
1	Analog	0	Mask Analog interrupt.
		1	Unmask Analog interrupt.
0	V Monitor	0	Mask Voltage Monitor interrupt.
		1	Unmask Voltage Monitor interrupt.

## 21.3.60 INT\_SW\_EN

### Interrupt Software Enable Register

**Individual Register Names and Addresses:**

INT\_SW\_EN : 0,E1h

	7	6	5	4	3	2	1	0
Access : POR								RW : 0
Bit Name								ENSWINT

This register is used to enable software interrupts.

In the table above, note that reserved bits are grayed table cells and are not described in the bit description section below. Reserved bits must always be written with a value of '0'. For additional information, refer to the [Register Definitions on page 48](#) in the Interrupt Controller chapter.

Bit	Name	Description	
0	ENSWINT	0	Disable software interrupts.
		1	Enable software interrupts.

## 21.3.61 INT\_VC

### Interrupt Vector Clear Register

Individual Register Names and Addresses: 0,E2h

INT\_VC : 0,E2h

	7	6	5	4	3	2	1	0
Access : POR	RC : 00							
Bit Name	Pending Interrupt[7:0]							

This register returns the next pending interrupt and clears all pending interrupts when written.

For additional information, refer to the [Register Definitions on page 48](#) in the Interrupt Controller chapter.

Bit	Name	Description
7:0	Pending Interrupt[7:0]	Read Returns vector for highest priority pending interrupt. Write Clears all pending and posted interrupts.

## 21.3.62 RES\_WDT

### Reset Watchdog Timer Register

**Individual Register Names and Addresses:**

RES\_WDT : 0,E3h

	7	6	5	4	3	2	1	0
<b>Access : POR</b>	W : 00							
<b>Bit Name</b>	WDSL_Clear[7:0]							

This register is used to clear the watchdog timer alone, or clear both the watchdog timer and the sleep timer together. For additional information, refer to the [Register Definitions on page 77](#) in the Sleep and Watchdog chapter.

Bit	Name	Description
7:0	<b>WDSL_Clear[7:0]</b>	Any write clears the watchdog timer. A write of 38h clears both the watchdog and sleep timers.

## 21.3.63 CPU\_F

### M8C Flag Register

#### Individual Register Names and Addresses:

CPU\_F : x,F7h

	7	6	5	4	3	2	1	0
<b>Access : POR</b>	RL : 0	RL : 0	RL : 0			RL : 0	RL : 0	RL : 0
<b>Bit Name</b>	PgMode[1:0]	BINC	XIO			Carry	Zero	GIE

This register provides read access to the M8C flags.

The AND f, expr; OR f, expr; and XOR f, expr flag instructions are used to modify this register. In the table above, note that the reserved bit is a grayed table cell and is not described in the bit description section below. Reserved bits must always be written with a value of '0'. For additional information, refer to the [Register Definitions on page 32](#) in the M8C chapter and the [Register Definitions on page 48](#) in the Interrupt Controller chapter.

Bit	Name	Description
7:6	<b>PgMode[1:0]</b>	<p>00b Direct Address mode and Indexed Address mode operands are referred to RAM Page 0, regardless of the values of CUR_PP and IDX_PP. Note that this condition prevails upon entry to an Interrupt Service Routine when the CPU_F register is cleared.</p> <p>01b Direct Address mode instructions are referred to Page 0. Indexed Address mode instructions are referred to the RAM page specified by the stack page pointer, STK_PP.</p> <p>10b Direct Address mode instructions are referred to the RAM page specified by the current page pointer, CUR_PP. Indexed Address mode instructions are referred to the RAM page specified by the index page pointer, IDX_PP.</p> <p>11b Direct Address mode instructions are referred to the RAM page specified by the current page pointer, CUR_PP. Indexed Address mode instructions are referred to the RAM page specified by the stack page pointer, STK_PP.</p>
5	<b>BINC</b>	Bit Implemented Not Connected.
4	<b>XIO</b>	<p>0 Normal register address space.</p> <p>1 Extended register address space. Primarily used for configuration.</p>
2	<b>Carry</b>	<p>Set by the M8C CPU Core to indicate whether there has been a carry in the previous logical/arithmetic operation.</p> <p>0 No carry.</p> <p>1 Carry.</p>

(continued on next page)

### 21.3.63 CPU\_F (continued)

<b>1</b>	<b>Zero</b>	Set by the M8C CPU Core to indicate whether there was a zero result in the previous logical/arithmetic operation.
		0 Not equal to zero.
		1 Equal to zero.
<b>0</b>	<b>GIE</b>	0 M8C does not process any interrupts.
		1 Interrupt processing enabled.

## 21.3.64 IDAC\_D

### Current DAC Data Register

#### Individual Register Names and Addresses:

IDAC\_D : 0,FDh

	7	6	5	4	3	2	1	0
Access : POR	RW : 00							
Bit Name	IDACDATA[7:0]							

This register specifies the 8-bit multiplying factor that determines the output IDAC current.

For additional information, refer to the [Register Definitions on page 92](#) in the TrueTouch Module chapter.

Bits	Name	Description
7:0	IDACDATA[7:0]	<p>This is an 8-bit value that selects the number of current units that combine to form the IDAC current. This current then drives the analog mux bus when IDAC mode is enabled. For example, a setting of 80h means that the charging current is 128 current units.</p> <p>The current size also depends on the IRANGE setting in the CS_CR2 register. This setting supplies the charging current for the relaxation oscillator. This current and the external capacitance connected to the analog global bus determines the RO frequency.</p> <p>This register is also used to set the charging current in the proximity detect mode.</p> <p>Step size is approximately 330 nA/bit for default IRANGE state 00b.</p> <p>00h      Smallest current.</p> <p>.</p> <p>.</p> <p>.</p> <p>FFh      Largest current.</p>



## 21.3.65 CPU\_SCR1

### System Status and Control Register 1

**Individual Register Names and Addresses:**

CPU\_SCR1: x,FEh

	7	6	5	4	3	2	1	0
<b>Access : POR</b>	R : 0							RW : 0
<b>Bit Name</b>	IRESS				SLIMO[1:0]			IRAMDIS

This register is used to convey the status and control of events related to internal resets and watchdog reset.

In the table above, note that reserved bits are grayed table cells and are not described in the bit description section below. Reserved bits must always be written with a value of '0'. For additional information, refer to the [Register Definitions on page 137](#) in the System Resets chapter.

Bit	Name	Description
7	IRESS	This bit is read only. 0 Boot phase only executed once. 1 Boot phase occurred multiple times.
4:3	SLIMO[1:0]	These bits set the frequency range for the IMO. <b>Note</b> When changing from the default setting, the corresponding trim value must be loaded into the IMO_TR register for highest frequency accuracy. <b>SLIMO</b> <b>CY8CTMG20x/ CY8CTST200</b> 00            12 01            6 10            24 11            Reserved
0	IRAMDIS	0 SRAM is initialized to 00h after POR, XRES, and WDR. 1 Addresses 03h - D7h of SRAM Page 0 are not modified by WDR.

## 21.3.66 CPU\_SCR0

### System Status and Control Register 0

#### Individual Register Names and Addresses:

CPU\_SCR0 : x,FFh

	7	6	5	4	3	2	1	0
<b>Access : POR</b>	R : 0		RC : 0	RC : 1	RW : 0			RW : 0
<b>Bit Name</b>	GIES		WDRS	PORS	Sleep			STOP

This register is used to convey the status and control of events for various functions of a PSoC device.

In the table above, note that reserved bits are grayed table cells and are not described in the bit description section below. Reserved bits must always be written with a value of '0'. For additional information, refer to the [Register Definitions on page 137](#) in the System Resets chapter.

Bit	Name	Description
7	<b>GIES</b>	Global Interrupt Enable Status. It is recommended that the user read the Global Interrupt Enable Flag bit from the <a href="#">CPU_F register on page 254</a> . This bit is read only for GIES. Its use is discouraged, as the Flag register is now readable at address x,F7h (read only).
5	<b>WDRS</b>	Watchdog Reset Status. This bit may not be set by user code; however, it may be cleared by writing a '0'. 0 No watchdog reset has occurred. 1 Watchdog reset has occurred.
4	<b>PORS</b>	Power On Reset Status. This bit may not be set by user code; however, it may be cleared by writing a '0'. 0 Power on reset has not occurred and watchdog timer is enabled. 1 Is set after external reset or power on reset.
3	<b>Sleep</b>	Set by the user to enable the CPU sleep state. CPU remains in Sleep mode until any interrupt is pending. 0 Normal operation. 1 Sleep.
0	<b>STOP</b>	0 M8C is free to execute code. 1 M8C is halted and is only cleared by POR, XRES, or WDR.

## 21.4 Bank 1 Registers

The following registers are all in bank 1 and are listed in address order. Registers that are in both Bank 0 and Bank 1 are listed in address order in the section titled [Bank 0 Registers on page 188](#).

### 21.4.1 PRTxDM0

#### Port Drive Mode Bit Registers 0

##### Individual Register Names and Addresses:

PRT0DM0 : 1,00h      PRT1DM0 : 1,04h      PRT2DM0 : 1,08h      PRT3DM0 : 1,0Ch  
 PRT4DM0 : 1,10h

	7	6	5	4	3	2	1	0
Access : POR	RW : 00							
Bit Name	Drive Mode 0[7:0]							

This register is one of two registers where the combined value determines the unique drive mode of each bit in a GPIO port.

In register PRTxDM0 there are four possible drive modes for each port pin. Two mode bits are required to select one of these modes, and these two bits are spread into two different registers (PRTxDM0 and [PRTxDM1 on page 260](#)). The bit position of the effected port pin (for example, Pin[2] in Port 0) is the same as the bit position of each of the two Drive Mode register bits that control the drive mode for that pin (for example, bit[2] in PRT0DM0 and bit[2] in PRT0DM1). The two bits from the two registers are treated as a group. These are referred to as DM1 and DM0, or together as DM[1:0].

All drive mode bits are shown in the sub-table below ([10] refers to the combination (in order) of bits in a given bit position); however, this register only controls the **least significant bit (LSb)** of the drive mode.

The upper nibble of the PRT4DM0 register returns the last data bus value when read. You need to mask it off prior to using this information. For additional information, refer to the [Register Definitions on page 59](#) in the GPIO chapter.

Bit	Name	Description																				
7:0	Drive Mode 0[7:0]	Bit 0 of the drive mode, for each of 8-port pins, for a GPIO port.																				
		<table border="1"> <thead> <tr> <th>[10]</th> <th>Pin Output High</th> <th>Pin Output Low</th> <th>Notes</th> </tr> </thead> <tbody> <tr> <td>00b</td> <td>Resistive</td> <td>Strong</td> <td></td> </tr> <tr> <td>01b</td> <td>Strong</td> <td>Strong</td> <td></td> </tr> <tr> <td>10b</td> <td>High Z</td> <td>High Z</td> <td>Reset state. Digital input disabled for zero power.</td> </tr> <tr> <td>11b</td> <td>High Z</td> <td>Strong</td> <td>I2C compatible mode. For digital inputs, use this mode with data bit (PRTxDR register) set high.</td> </tr> </tbody> </table>	[10]	Pin Output High	Pin Output Low	Notes	00b	Resistive	Strong		01b	Strong	Strong		10b	High Z	High Z	Reset state. Digital input disabled for zero power.	11b	High Z	Strong	I2C compatible mode. For digital inputs, use this mode with data bit (PRTxDR register) set high.
[10]	Pin Output High	Pin Output Low	Notes																			
00b	Resistive	Strong																				
01b	Strong	Strong																				
10b	High Z	High Z	Reset state. Digital input disabled for zero power.																			
11b	High Z	Strong	I2C compatible mode. For digital inputs, use this mode with data bit (PRTxDR register) set high.																			

**Note** A bold digit in the table above signifies that the digit is used in this register.

## 21.4.2 PRTxDM1

### Port Drive Mode Bit Registers 1

#### Individual Register Names and Addresses:

PRT0DM1 : 1,01h      PRT1DM1 : 1,05h      PRT2DM1 : 1,09h      PRT3DM1 : 1,0Dh  
 PRT4DM1 : 1,11h

	7	6	5	4	3	2	1	0
<b>Access : POR</b>	RW : FF							
<b>Bit Name</b>	Drive Mode 1[7:0]							

This register is one of three registers where the combined value determines the unique drive mode of each bit in a GPIO port.

In register PRTxDM1 there are four possible drive modes for each port pin. Two mode bits are required to select one of these modes, and these two bits are spread into two different registers (PRTxDM1 and [PRTxDM0 on page 259](#)). The bit position of the effected port pin (for example, Pin[2] in Port 0) is the same as the bit position of each of the two Drive Mode register bits that control the drive mode for that pin (for example, bit[2] in PRT0DM0 and bit[2] in PRT0DM1). The two bits from the two registers are treated as a group. These are referred to as DM1 and DM0, or together as DM[1:0].

All drive mode bits are shown in the sub-table below ([10] refers to the combination (in order) of bits in a given bit position); however, this register only controls the most significant bit (MSb) of the drive mode.

The upper nibble of the PRT4DM1 register returns the last data bus value when read. You need to mask it off before using this information. For additional information, refer to the [Register Definitions on page 59](#) in the GPIO chapter.

Bit	Name	Description																				
7:0	Drive Mode 1[7:0]	Bit 1 of the drive mode, for each of 8-port pins, for a GPIO port.																				
		<table border="1"> <thead> <tr> <th>[10]</th> <th>Pin Output High</th> <th>Pin Output Low</th> <th>Notes</th> </tr> </thead> <tbody> <tr> <td>00b</td> <td>Resistive</td> <td>Strong</td> <td></td> </tr> <tr> <td>01b</td> <td>Strong</td> <td>Strong</td> <td></td> </tr> <tr> <td>10b</td> <td>High Z</td> <td>High Z</td> <td>Reset state. Digital input disabled for zero power.</td> </tr> <tr> <td>11b</td> <td>High Z</td> <td>Strong</td> <td>I2C compatible mode. For digital inputs, use this mode with data bit (PRTxDR register) set high.</td> </tr> </tbody> </table>	[10]	Pin Output High	Pin Output Low	Notes	00b	Resistive	Strong		01b	Strong	Strong		10b	High Z	High Z	Reset state. Digital input disabled for zero power.	11b	High Z	Strong	I2C compatible mode. For digital inputs, use this mode with data bit (PRTxDR register) set high.
[10]	Pin Output High	Pin Output Low	Notes																			
00b	Resistive	Strong																				
01b	Strong	Strong																				
10b	High Z	High Z	Reset state. Digital input disabled for zero power.																			
11b	High Z	Strong	I2C compatible mode. For digital inputs, use this mode with data bit (PRTxDR register) set high.																			
		<b>Note</b> A bold digit in the table above signifies that the digit is used in this register.																				

## 21.4.3 SPI\_CFG

### SPI Configuration Register

#### Individual Register Names and Addresses:

SPI\_CFG : 1,29h

	7	6	5	4	3	2	1	0
Access : POR	RW : 0		RW : 0	RW : 0	RW : 0	RW : 0	RW : 0	RW : 0
Bit Name	Clock Sel [2:0]		Bypass	SS_	SS_EN_	Int Sel	Slave	

This register is used to configure the SPI.

Do not change the values in this register while the block is enabled. For additional information, refer to the [Register Definitions on page 147](#) in the SPI chapter.

Bit	Name	Description
7:5	<b>Clock Sel [2:0]</b>	SYSCLK in Master mode. 000b / 2 001b / 4 010b / 8 011b / 16 100b / 32 101b / 64 110b / 128 111b / 256
4	<b>Bypass</b>	Bypass Synchronization. 0 All pin inputs are doubled and synchronized. 1 Input synchronization is bypassed.
3	<b>SS_</b>	Slave Select in Slave mode. 0 Slave selected. 1 Slave not selected.
2	<b>SS_EN_</b>	Internal Slave Select Enable. 0 Slave selection determined from SS_ bit. 1 Slave selection determined from external SS_ pin.
1	<b>Int Sel</b>	Interrupt Select. 0 Interrupt on TX Reg Empty. 1 Interrupt on SPI Complete.
0	<b>Slave</b>	0 Operates as a master. 1 Operates as a slave.

## 21.4.4 USB\_CR1

### USB Control Register 1

#### Individual Register Names and Addresses:

USB\_CR1 : 1,30h

	7	6	5	4	3	2	1	0
Access : POR						RC : 0	RW : 0	RW : 0
Bit Name						BusActivity	EnableLock	RegEnable

This register is used to configure the internal regulator and the oscillator tuning capability.

This register is only used by the CY8CTMG20x, CY8CTST200 PSoC devices. In the table above, note that reserved bits are grayed table cells and are not described in the bit description section below. Reserved bits must always be written with a value of '0'. For additional information, refer to the [Register Definitions on page 171](#) in the Full-Speed USB chapter.

Bit	Name	Description
2	<b>BusActivity</b>	Monitors activity on USB bus. This bit is only set by the hardware. Writing a '0' clears this bit. Writing a '1' preserves its present state. 0 No activity. 1 Non-idle activity (D+ = Low) was detected since the last time the bit was cleared.
1	<b>EnableLock</b>	Controls the automatic tuning of the internal oscillator. Hardware locks the internal oscillator based on the frequency of incoming USB data when this bit is set. Normally, this is set when the device is used in a USB application. 0 Locking disabled. 1 Locking enabled.
0	<b>RegEnable</b>	Configures USB regulator for appropriate power supply range. 0 Pass through mode. Use for Vdd = 3.3V range. 1 Regulating mode. Use for Vdd = 5V range.

## 21.4.5 PMAx\_WA

### PSoC Memory Arbiter Write Address Registers

#### Individual Register Names and Addresses:

PMA0_WA : 1,34h	PMA1_WA : 1,35h	PMA2_WA : 1,36h	PMA3_WA : 1,37h
PMA4_WA : 1,38h	PMA5_WA : 1,39h	PMA6_WA : 1,3Ah	PMA7_WA : 1,3Bh
PMA8_WA : 1,44H	PMA9_WA : 1,45H	PMA10_WA : 1,46H	PMA11_WA : 1,47H
PMA12_W : 1, 48H	PMA13_WA : 1,49h	PMA14_WA : 1,4Ah	PMA15_WA : 1,4Bh

A

	7	6	5	4	3	2	1	0
<b>Access : POR</b>	RW : 00							
<b>Bit Name</b>	Write Address[7:0]							

These registers are PSoC Memory Arbiter write address registers.

For additional information, refer to the [Register Definitions on page 171](#) in the Full-Speed USB chapter.

Bit	Name	Description
7:0	<b>Write Address[7:0]</b>	The value returned when this register is read depends on whether the PMA channel is being used by the USB SIE or by the M8C.

## 21.4.6 PMAx\_RA

### PSoC Memory Arbiter Read Address Registers

#### Individual Register Names and Addresses:

PMA0_RA : 1,3Ch	PMA1_RA : 1,3Dh	PMA2_RA : 1,3Eh	PMA3_RA : 1,3Fh
PMA4_RA : 1,40h	PMA5_RA : 1,41h	PMA6_RA : 1,42h	PMA7_RA : 1,43h
PMA8_RA : 1,4Ch	PMA9_RA : 1,4Dh	PMA10_RA : 1,4Eh	PMA11_RA : 1,4Fh
PMA12_RA : 1, 50h	PMA13_RA : 1,51h	PMA14_RA : 1,52h	PMA15_RA : 1,53h

	7	6	5	4	3	2	1	0
Access : POR	RW : 00							
Bit Name	Read Address[7:0]							

These registers are PSoC Memory Arbiter read address registers.

For additional information, refer to the [Register Definitions on page 171](#) in the Full-Speed USB chapter.

Bit	Name	Description
7:0	ReadAddress[7:0]	The value returned when this register is read depends on whether the PMA channel is being used by the USB SIE or by the M8C. In the USB case, this register always returns the beginning SRAM address for the PMA channel.



## 21.4.7 EPx\_CR0

### Endpoint Control Registers 0

#### Individual Register Names and Addresses:

EP1\_CR0 : 1,54h      EP2\_CR0 : 1,55h      EP3\_CR0 : 1,56h      EP4\_CR0 : 1,57h  
 EP5\_CR0 : 1,58h      EP6\_CR0 : 1,59h      EP7\_CR0 : 1,5Ah      EP7\_CR0 : 1,5Bh

	7	6	5	4	3	2	1	0
<b>Access : POR</b>	RW : 0		RW : 0	RC : 0	RW : 0			
<b>Bit Name</b>	Stall		NAK_INT_EN	ACK'ed Tx	Mode[3:0]			

These registers endpoint control registers.

In the table above, note that the reserved bit is a grayed table cell and is not described in the bit description section below. Reserved bits must always be written with a value of '0'. For additional information, refer to the [Register Definitions on page 171](#) in the Full-Speed USB chapter.

Bit	Name	Description
7	<b>Stall</b>	When this bit is set, the SIE stalls an OUT packet if the Mode bits are set to ACK-OUT. The SIE stalls an IN packet if the Mode bits are set to ACK-IN. This bit must be clear for all other modes.
5	<b>NAK_INT_EN</b>	When set, this bit causes an endpoint interrupt to be generated even when a transfer completes with a NAK.
4	<b>ACKed Tx</b>	The ACK'ed transaction bit is set whenever the SIE engages in a transaction to the register's endpoint that completes with an ACK packet.
3:0	<b>Mode[3:0]</b>	The mode controls how the USB SIE responds to traffic and how the USB SIE changes the mode of that endpoint as a result of host packets to the endpoint.

## 21.4.8 TMP\_DRx

### Temporary Data Registers

**Individual Register Names and Addresses:**

TMP\_DR0 : x,6Ch      TMP\_DR1 : x,6Dh      TMP\_DR2 : x,6Eh      TMP\_DR3 : x,6Fh

	7	6	5	4	3	2	1	0
<b>Access : POR</b>	RW : 00							
<b>Bit Name</b>	Data[7:0]							

These registers enhance the performance in multiple SRAM page PSoC devices.

All bits in this register are reserved for PSoC devices with 256 bytes of SRAM. For additional information, refer to the [Register Definitions on page 42](#) in the RAM Paging chapter.

Bit	Name	Description
7:0	Data[7:0]	General purpose register space

## 21.4.9 USB\_MISC\_CR

### USB Miscellaneous Control Register

#### Individual Register Names and Addresses:

USB\_MISC\_CR: 1, BDh

	7	6	5	4	3	2	1	0
Access : POR						RW : 0	RW : 0	RW : 0
Bit Name						USB_SE_EN	USB_ON	USB_CLK_ON

The USB Miscellaneous Control Register controls the clocks to the USB block to make IMO work with better accuracy for the USB part and to disable the single ended input of USBIO in the case of a non-USB part.

In the table above, note that reserved bits are grayed table cells and are not described in the bit description section below. Reserved bits must always be written with a value of '0'. For additional information, refer to the [Register Definitions on page 112](#) in the Digital Clocks chapter.

Bit	Name	Description
2	<b>USE_SE_EN</b>	<p>The single ended outputs of USBIO is enabled or disabled based upon this bit setting. Set this bit to '1' when using this part as a USB part.</p> <p>0 The single ended outputs of USBIO are disabled. The DPO, DMO is held at logic high state and RSEO is held at a low state.</p> <p>1 The single ended output of USBIO is enabled and USB transactions can occur.</p> <p><b>Note</b> Bit [1:0] of the USBIO_CR1 register is also affected by this register setting. When this bit is '0' (default) regardless of the DP and DM state, the DPO and DMO bits of USBIO_CR1 are '11b'.</p>
1	<b>USB_ON</b>	<p>This bit is used by the IMO DAC block to either work with better DNL consuming higher power, or with sacrificed DNL consuming lower power. Set this bit to '1' when the part is used as a USB part.</p> <p>0 The IMO runs with sacrificed DNL by consuming less power.</p> <p>1 The IMO runs with better DNL by consuming more power.</p>
0	<b>USB_CLK_ON</b>	<p>This bit either enables or disables the clocks to the USB block. It is used to save power in cases when the device need not respond to USB traffic. Set this bit to '1' when the device is used as a USB part.</p> <p>0 All clocks to the USB block are driven as '0'. The device does not respond to USB traffic and none of the USB registers, except IMO_TR, IMO_TR1 and USBIO_CR1, listed in the <a href="#">Register Definitions on page 171</a> are writable.</p> <p>1 Clocks are not blocked to the USB block. The device responds to USB traffic depending upon the other register settings mentioned in <a href="#">Register Definitions on page 171</a> in the Full-Speed USB chapter.</p>

## 21.4.10 OUT\_P0

### Output Override to Port 0 Register

#### Individual Register Names and Addresses:

OUT\_P0: 1,D1h

	7	6	5	4	3	2	1	0
Access : POR	RW : 0	RW : 0	RW : 0	RW : 0				
Bit Name	P0P7D	P0P7EN	P0P4D	P0P4EN				

This register enables specific internal signals to output to Port 0 pins.

The GPIO drive modes must be specified to support the desired output mode (registers PRT1DM1 and PRT1DM0). If a pin is enabled for output by a bit in this register, the corresponding signal has priority over any other internal function that may be configured to output to that pin.

For additional information, refer to the [Register Definitions on page 112](#) in the Digital Clocks chapter.

Bit	Name	Description
7	<b>P0P7D</b>	0 Select Main system clock (SYSCLK). 1 Select either TrueTouch Output signal (CS_OUT is selected by CS_OUT[1:0] bits in CS_CR0 register) or TrueTouch clock depending upon bit 7 in PRS_CR register.
6	<b>P0P7EN</b>	This bit enables pin P0 [7] for output of the signal selected by P0P7D. 0 No internal signal output to P0 [7]. 1 Output the signal selected by P0P7D on to P0[7].
5	<b>P0P4D</b>	0 Select Timer Output (TIMEROUT) 1 Select CLK32 <b>Note:</b> During sleep mode these outputs will not be passed through P0[4].
4	<b>P0P4EN</b>	This bit enables pin P0 [4] for output of the signal selected by P0P4D. 0 No internal signal output to P0 [4]. 1 Output the signal selected by P0P4D on to P0[4].

## 21.4.11 ECO\_ENBUS

### External Oscillator ENBUS Register

**Individual Register Names and Addresses:**

ECO\_ENBUS : 1,D2h

	7	6	5	4	3	2	1	0
Access : POR						RW : 7		
Bit Name						ECO_ENBUS[2:0]		

The ECO\_ENBUS register is used to disable and enable the external crystal oscillator (ECO). In the table above, note that reserved bits are grayed table cells and are not described in the bit description section. Reserved bits should always be written with a value of '0'. See the [Application Overview on page 70](#) for the proper sequence for enabling the ECO.

Bits	Name	Description
2:0	ECO_ENBUS[2:0]	These bits should be written with a value of 011b to allow the ECO to be enabled by bits in the ECO_CFG register, or a value of 111b (default) to disable the ECO. Other values in this register are reserved.

## 21.4.12 ECO\_TRIM

### External Oscillator Trim Register

#### Individual Register Names and Addresses:

ECO\_TRIM : 1,D3h

	7	6	5	4	3	2	1	0
Access : POR				RW : 4			RW : 1	
Bit Name				ECO_XGM[2:0]			ECO_LP[1:0]	

This register trims the external oscillator gain and power settings.

These settings in this register should not be changed from their default state.

In the table above, note that reserved bits are grayed table cells and are not described in the bit description section below. Reserved bits must always be written with a value of '0'. For additional information, refer to the [Register Definitions on page 100](#) in the I/O Analog Multiplexer chapter.

Bits	Name	Description
4:2	ECO_XGM[2:0]	These bits set the amplifier gain. The high power mode setup size is approximately 220 nA. The low power step size is approximately 5% lower than the 111 setting. 000    Lowest power setting. 111    Highest power setting.
1:0	ECO_LP[1:0]	These regulate low power mode settings. 00    Highest Power Setting. 11    Lowest power setting (30% power reduction).

## 21.4.13 MUX\_CRx

### Analog Mux Port Bit Enable Registers

#### Individual Register Names and Addresses:

MUX\_CR0 : 1,D8h      MUX\_CR1 : 1,D9h      MUX\_CR2 : 1,DAh      MUX\_CR3 : 1,DBh  
 MUX\_CR4 : 1,DFh

	7	6	5	4	3	2	1	0
Access : POR	RW : 00							
Bit Name	ENABLE[7:0]							

This register is used to control the connection between the analog mux bus and the corresponding pin.

Port 4 is a 4-bit port, so the upper 4 bits of the MUX\_CR4 register are reserved and return zeros when read.

For additional information, refer to the [Register Definitions on page 100](#) in the I/O Analog Multiplexer chapter.

Bits	Name	Description
7:0	ENABLE[7:0]	<p>Each bit controls the connection between the analog mux bus and the corresponding port pin. For example, MUX_CR2[3] controls the connection to bit 3 in Port 2. Any number of pins may be connected at the same time.</p> <p>0      No connection between port pin and analog mux bus.                      1      Connect port pin to analog mux bus.</p>

## 21.4.14 IO\_CFG1

### Input/Output Configuration Register 1

#### Individual Register Names and Addresses:

IO\_CFG1 : 1,DCh

	7	6	5	4	3	2	1	0
<b>Access : POR</b>	RW : 0			RW : 0	RW : 0	RW : 0	RW : 0	RW : 0
<b>Bit Name</b>	StrongP			Range[1:0]	P1_LOW_THRS	SPICLK_ON_P10	REG_EN	IO INT

This register is used to configure the Port 1 output regulator and set the interrupt mode for all GPIO.

In the table above, note that reserved bits are grayed table cells and are not described in the bit description section below. Reserved bits must always be written with a value of '0'. For additional information, refer to the [Register Definitions on page 59](#) in the GPIO chapter.

Bits	Name	Description
7	<b>StrongP</b>	Setting this bit increases the drive strength and edge ratio for high outputs.
5:4	<b>Range[1:0]</b>	Selects the high output level for Port 1 outputs. 00 3.0 volts 01 3.0 volts 10 1.8 volts 11 2.5 volts
3	<b>P1-LOW_THRS</b>	This bit reduces the threshold voltage of the P1 port input buffers so that there are no compatibility issues when Port 1 is communicating at regulated voltage levels. 0 Standard threshold of VIH, VIL 1 Reduce threshold of VIH, VIL
2	<b>SPICLK_ON_P10</b>	When set to '1', the SPI clock is mapped to Port 1 pin 0. Otherwise, it is mapped to Port 1 pin 3.
1	<b>REG_EN</b>	Controls the regulator on Port 1 outputs. 0 Regulator disabled, so Port 1 strong outputs drive to Vdd. 1 Regulator enabled, so Port 1 strong outputs drive to approximately 3V (for Vdd > 3V).
0	<b>IO INT</b>	Sets the GPIO interrupt mode for all pins in the PSoC device. GPIO interrupts are also controlled at each pin by the PRTxIE registers, and by the global GPIO bit in the INT_MSK0 register. 0 GPIO interrupt configured for interrupt when pin is low. 1 GPIO interrupt configured for interrupt when pin state changes from last time port was read.



## 21.4.15 OUT\_P1

### Output Override to Port 1 Register

**Individual Register Names and Addresses:**

OUT\_P1: 1,DDh

	7	6	5	4	3	2	1	0
<b>Access : POR</b>	RW : 0	RW : 0	RW : 0	RW : 0	RW : 0	RW : 0	RW : 0	RW : 0
<b>Bit Name</b>	P16D	P16EN	P14D	P14EN	P12D	P12EN	P10D	P10EN

This register enables specific internal signals to be output to Port 1 pins.

The GPIO drive modes must be specified to support the desired output mode (registers PRT1DM1 and PRT1DM0). If a pin is enabled for output by a bit in this register, the corresponding signal has priority over any other internal function that may be configured to output to that pin.

For additional information, refer to the [Register Definitions on page 112](#) in the Digital Clocks chapter.

Bit	Name	Description
7	<b>P16D</b>	Bit selects the data output to P1[6] when P16EN is high. Timer Output and CLK32 are available on P0[4] as well, but outputs on P0[4] will not be passed through during sleep modes. Please refer to the OUT_P0 register for more details. 0 Select Timer output (TIMEROUT) 1 Select CLK32
6	<b>P16EN</b>	Bit enables pin P1[6] for output of the signal selected by the P16D bit. 0 No internal signal output to P1[6] 1 Output the signal selected by P16D to P1[6]
5	<b>P14D</b>	Bit selects the data output to P1[4] when P14EN is high. 0 Select Relaxation Oscillator (RO) 1 Select Comparator 1 Output (CMP1)
4	<b>P14EN</b>	Bit enables pin P1[4] for output of the signal selected by the P14D bit. 0 No internal signal output to P1[4] 1 Output the signal selected by P14D to P1[4]
3	<b>P12D</b>	Bit selects the data output to P1[2] when P12EN is high. 0 Select Main System Clock (SYCLK) 1 Select either TrueTouch Output signal (CS_OUT is selected by CS_OUT[1:0] bits in CS_CR0 register) or TrueTouch clock depending upon bit 7 in PRS_CR register.
2	<b>P12EN</b>	Bit enables pin P1[2] for output of the signal selected by the P12D bit. 0 No internal signal output to P1[2] 1 Output the signal selected by P12D to P1[2]

*(continued on next page)*

### 21.4.15 OUT\_P1 (continued)

1	<b>P10D</b>	Bit selects the data output to P1[0] when P10EN is high. 0 Select Sleep Interrupt (SLPINT) 1 Select Comparator 0 Output (CMP0)
0	<b>P10EN</b>	Bit enables pin P1[0] for output of the signal selected by the P10D bit. 0 No internal signal output to P1[0] 1 Output the signal selected by P10D to P1[0]

## 21.4.16 IO\_CFG2

### Input/Output Configuration Register 2

#### Individual Register Names and Addresses:

IO\_CFG2 : 1,DEh

	7	6	5	4	3	2	1	0
Access : POR								
				RW : 0				RW : 0
Bit Name				REG_LEVEL[2:0]				REG_CLOCK[1:0]

The Input/Output Configuration 2 Register (IO\_CFG2) selects output regulated supply and clock rates.

In the table above, note that reserved bits are grayed table cells and are not described in the bit description section. Reserved bits should always be written with a value of '0'. For additional information, refer to the [IO\\_CFG2 Register on page 61](#) in the GPIO chapter.

Bits	Name	Description
------	------	-------------

5:3	REG_LEVEL[2:0]	These bits select output regulated supply
-----	----------------	---

REG_LEVEL[2:0]	Approx. Regulated Supply (V)		
000	3	2.5	1.8
001	3.1	2.6	1.9
010	3.2	2.7	2.0
011	3.3	2.8	2.1
100	3.4	2.9	2.2
101	3.5	3.0	2.3
110	3.6	3.1	2.4
111	3.7	3.2	2.5

1:0	REG_CLOCK[1:0]	The Regulated I/O charge pump can operate with a maximum clock speed of 12 MHz. The REG_CLOCK[1:0] bits select clocking options for the regulator. Setting REG_CLOCK[1:0] to '10' should be used with 24 MHz SYSCLK and '01' should be used with 6/12 MHz SYSCLK.
-----	----------------	---

REG_CLOCK[1:0]	SYSCLK Clock Rate
10	24 MHz
01	6/12 MHz

## 21.4.17 OSC\_CR0

### Oscillator Control Register 0

#### Individual Register Names and Addresses:

OSC\_CR0: 1,E0h

	7	6	5	4	3	2	1	0
<b>Access : POR</b>	RW : 0	RW : 0	RW : 0		RW : 0			RW : 010b
<b>Bit Name</b>	X32ON	Disable Buzz	No Buzz		Sleep[1:0]			CPU Speed[2:0]

This register is used to configure various features of internal clock sources and clock nets.

In the table above, note that the reserved bit is a grayed table cell and is not described in the bit description section below. Reserved bits must always be written with a value of '0'. For additional information, refer to the [Register Definitions on page 112](#) in the Digital Clocks chapter.

Bit	Name	Description																																													
7	<b>X32ON</b>	Select bit for the external 32 kHz external crystal oscillator (ECO). See the <a href="#">Application Overview on page 70</a> for the proper sequence for enabling the ECO. 0 The internal 32 kHz oscillator is the source of the 32K clock. 1 The external crystal oscillator is the source of the 32K clock.																																													
6	<b>Disable Buzz</b>	Option to disable buzz during sleep. This bit has lower priority than the No Buzz bit. Therefore, if No Buzz = 1, the Disable Buzz bit has no effect. 0 No effect on buzz modes. 1 Buzz is disabled during sleep, with bandgap powered down. No periodic wakeup of the bandgap during sleep.																																													
5	<b>No Buzz</b>	This bit allows the bandgap to stay powered during sleep. 0 Buzz bandgap during power down. 1 Bandgap is always powered even during sleep.																																													
4:3	<b>Sleep[1:0]</b>	Sleep interval. 00b 1.95 ms (512 Hz) 01b 15.6 ms (64 Hz) 10b 125 ms (8 Hz) 11b 1s (1 Hz)																																													
2:0	<b>CPU Speed[2:0]</b>	These bits set the CPU clock speed, based on the system clock (SYSCLK). SYSCLK is 12 MHz by default, but it can also be set to other frequencies (6 and 24 MHz), or driven from an external clock. <b>Note</b> During USB operation, the CPU speed can be set to any setting. Be aware that USB throughput decreases with a decrease in CPU speed. For maximum throughput, the CPU clock should be made equal to the system clock. The system clock must be 24 MHz for USB operation.																																													
		<table border="1"> <thead> <tr> <th></th> <th>6 MHz IMO</th> <th>12 MHz IMO</th> <th>24 MHz IMO</th> <th>External Clock</th> </tr> </thead> <tbody> <tr> <td>000b</td> <td>750 kHz</td> <td>1.5 MHz</td> <td>3 MHz</td> <td>EXTCLK/8</td> </tr> <tr> <td>001b</td> <td>1.5 MHz</td> <td>3 MHz</td> <td>6 MHz</td> <td>EXTCLK/4</td> </tr> <tr> <td>010b</td> <td>3 MHz</td> <td>6 MHz</td> <td>12 MHz</td> <td>EXTCLK/2 (Reset State)</td> </tr> <tr> <td>011b</td> <td>6 MHz</td> <td>12 MHz</td> <td>24 MHz</td> <td>EXTCLK/1</td> </tr> <tr> <td>100b</td> <td>375 kHz</td> <td>750 kHz</td> <td>1.5 MHz</td> <td>EXTCLK/16</td> </tr> <tr> <td>101b</td> <td>187.5 kHz</td> <td>375 kHz</td> <td>750 kHz</td> <td>EXTCLK/32</td> </tr> <tr> <td>110b</td> <td>46.9 kHz</td> <td>93.7 kHz</td> <td>187.5 kHz</td> <td>EXTCLK/128</td> </tr> <tr> <td>111b</td> <td>23.4 kHz</td> <td>46.8 kHz</td> <td>93.7 kHz</td> <td>EXTCLK/256</td> </tr> </tbody> </table>		6 MHz IMO	12 MHz IMO	24 MHz IMO	External Clock	000b	750 kHz	1.5 MHz	3 MHz	EXTCLK/8	001b	1.5 MHz	3 MHz	6 MHz	EXTCLK/4	010b	3 MHz	6 MHz	12 MHz	EXTCLK/2 (Reset State)	011b	6 MHz	12 MHz	24 MHz	EXTCLK/1	100b	375 kHz	750 kHz	1.5 MHz	EXTCLK/16	101b	187.5 kHz	375 kHz	750 kHz	EXTCLK/32	110b	46.9 kHz	93.7 kHz	187.5 kHz	EXTCLK/128	111b	23.4 kHz	46.8 kHz	93.7 kHz	EXTCLK/256
	6 MHz IMO	12 MHz IMO	24 MHz IMO	External Clock																																											
000b	750 kHz	1.5 MHz	3 MHz	EXTCLK/8																																											
001b	1.5 MHz	3 MHz	6 MHz	EXTCLK/4																																											
010b	3 MHz	6 MHz	12 MHz	EXTCLK/2 (Reset State)																																											
011b	6 MHz	12 MHz	24 MHz	EXTCLK/1																																											
100b	375 kHz	750 kHz	1.5 MHz	EXTCLK/16																																											
101b	187.5 kHz	375 kHz	750 kHz	EXTCLK/32																																											
110b	46.9 kHz	93.7 kHz	187.5 kHz	EXTCLK/128																																											
111b	23.4 kHz	46.8 kHz	93.7 kHz	EXTCLK/256																																											

## 21.4.18 ECO\_CFG

### External Oscillator Trim Configuration Register

**Individual Register Names and Addresses:**

ECO\_CFG : 1,E1h

	7	6	5	4	3	2	1	0
<b>Access : POR</b>						RW : 0	RW : 0	RW : 0
<b>Bit Name</b>						ECO_LPM	ECO_EXW	ECO_EX

This register provides ECO status and control information.

In the table above, note that reserved bits are grayed table cells and are not described in the bit description section below. Reserved bits must always be written with a value of '0'. For additional information, refer to the [ECO\\_CFG Register on page 71](#) in the External Crystal Oscillator chapter.

Bits	Name	Description
2	<b>ECO_LPM</b>	This bit enables the ECO lower power mode.
1	<b>ECO_EXW</b>	This is a status bit that indicates that the ECO_EX bit was previously written to. When this bit is a '1', this indicates that the ECO_CONFIG register was written to and is now locked. When this bit is a '0', the register was not written to since the last reset event.
0	<b>ECO_EX</b>	The ECO Exists bit is a flag to the hardware indicating that an external crystal oscillator exists in the system. If the bit is '0', a switch-over to the ECO is locked out by hardware. If the bit is '1', hardware allows the firmware to freely switch between the ECO and ILO. It must be written as early as possible after a Power On Reset (POR) or External Reset (XRES) event.

## 21.4.19 OSC\_CR2

### Oscillator Control Register 2

#### Individual Register Names and Addresses:

OSC\_CR2 : 1,E2h

	7	6	5	4	3	2	1	0
Access : POR				RW : 0		RW : 0	RW : 0	
Bit Name				CLK48MEN		EXTCLKEN	IMODIS	

This register is used to configure various features of internal clock sources and clock nets.

In the table above, note that reserved bits are grayed table cells and are not described in the bit description section below. Reserved bits must always be written with a value of '0'. For additional information, refer to the [Register Definitions on page 112](#) in the Digital Clocks chapter.

Bit	Name	Description
4	CLK48MEN	This is the 48 MHz clock enable bit. 0 Disabled the 48 MHz clock. 1 Enables the 48 MHz clock.
2	EXTCLKEN	External Clock Mode Enable. 0 Disabled. Operate from internal main oscillator. 1 Enabled. Operate from the clock supplied at P1[4] or P1[1] based upon the TSYNC bit in CPU_SCR1.
1	IMODIS	Internal Oscillator Disable. This bit can be set to save power when using an external clock on P1[4]. 0 Enabled. Internal oscillator enabled. 1 Disabled. <b>Note</b> This bit must not be set high in the same instruction that sets EXTCLKEN high, but it can be set in the next instruction. Also, this bit must not be set high if the external clock frequency is less than 6 MHz. When switching from external clock to internal clock, the IMO must be enabled for at least 10 $\mu$ s before the transition to internal clock. Refer to <a href="#">Switch Operation on page 110</a> .

## 21.4.20 VLT\_CR

### Voltage Monitor Control Register

#### Individual Register Names and Addresses:

VLT\_CR: 1,E3h

	7	6	5	4	3	2	1	0
Access : POR					RW : 0	RW : 0		RW : 0
Bit Name					PORLEV[1:0]	LVDTBEN		VM[2:0]

This register is used to set the trip points for POR and LVD.

In the table above, note that reserved bits are grayed table cells and are not described in the bit description section below. Reserved bits must always be written with a value of '0'. For additional information, refer to the [Register Definitions on page 144](#) in the POR chapter.

Bit	Name	Description
5:4	<b>PORLEV[1:0]</b>	Sets the POR level according to the DC Electrical Specifications in the PSoC device data sheet.
3	<b>LVDTBEN</b>	Enables reset of the CPU speed register by LVD comparator output.
2:0	<b>VM[2:0]</b>	Sets the LVD levels per the DC Electrical Specifications in the PSoC device data sheet, for those devices with this feature. 000b Lowest voltage setting. 001b 010b 011b 100b 101b 110b 111b Highest voltage setting.

## 21.4.21 VLT\_CMP

### Voltage Monitor Comparators Register

#### Individual Register Names and Addresses:

1,E4h

VLT\_CMP : 1,E4h

	7	6	5	4	3	2	1	0
Access : POR							R : 0	
Bit Name							LVD	

This register reads the state of the internal supply voltage monitors.

In the table above, note that reserved bits are grayed table cells and are not described in the bit description section below. Reserved bits must always be written with a value of '0'. For additional information, refer to the [Register Definitions on page 144](#) in the POR chapter.

Bit	Name	Description
-----	------	-------------

1	LVD	This bit reads the state of the LVD comparator. 0 Vdd is above LVD trip point. 1 Vdd is below LVD trip point.
---	-----	---



## 21.4.22 IMO\_TR

### Internal Main Oscillator Trim Register

#### Individual Register Names and Addresses:

IMO\_TR : 1,E8h

	7	6	5	4	3	2	1	0
Access : POR	RW : 00							
Bit Name	Trim[7:0]							

This register is used to manually center the Internal Main Oscillator's (IMO) output to a target frequency.

***It is strongly recommended that you do not alter this register's values except to load factory trim settings when changing IMO range.***

When changing ranges, the new trim value for this range must be read from Flash using a Table Read operation. The new value must be written at the lower frequency range. That is, when moving to a higher frequency range, change the IMO\_TR value and then change the range (SLIMO[1:0] in CPU\_SCR1). When moving to a lower frequency, change the range first and then update IMO\_TR.

For additional information, refer to the [Register Definitions on page 64](#) in the Internal Main Oscillator chapter.

Bit	Name	Description
7:0	Trim[7:0]	The value of this register is used to trim the Internal Main Oscillator. Its value is set to the best value for the device during boot.

## 21.4.23 ILO\_TR

### Internal Low Speed Oscillator Trim Register

#### Individual Register Names and Addresses:

ILO\_TR : 1,E9h

	7	6	5	4	3	2	1	0
Access : POR		RW : 0	RW : 0					RW : 08
Bit Name		PD_MODE	ILOFREQ					Freq Trim[3:0]

This register sets the adjustment for the Internal Low Speed Oscillator (ILO).

**It is strongly recommended that you do not alter this register's Freq Trim[3:0] values.** The trim bits are set to factory specifications and must not be changed.

In the table above, note that reserved bits are grayed table cells and are not described in the bit description section below. Always write reserved bits with a value of '0'. For additional information, refer to the [Register Definitions on page 68](#) in the Internal Low Speed Oscillator chapter.

Bit	Name	Description
6	PD_MODE	This bit selects power down mode. Setting this bit high disables oscillator and current bias, which results in slower startup time. Power down mode: 0 Partial oscillator power down for faster startup (100 nA nominal). 1 Full oscillator power down for lower power (0 nA nominal).
5	ILOFREQ	Selects oscillator nominal frequency. 0 32 kHz 1 1 kHz
3:0	Freq Trim[3:0]	These bits trim the oscillator frequency.

## 21.4.24 SLP\_CFG

### Sleep Configuration Register

#### Individual Register Names and Addresses:

1,EBh

SLP\_CFG : 1,EBh

	7	6	5	4	3	2	1	0
Access : POR	RW : 0							
Bit Name	PSSDC[1:0]							

This register sets up the sleep duty cycle.

In the table above, note that reserved bits are grayed table cells and are not described in the bit description section below. Reserved bits must always be written with a value of '0'. For additional information, refer to the [Register Definitions on page 77](#) in the Sleep and Watchdog chapter.

Bit	Name	Description
7:6	PSSDC[1:0]	<p>Sleep Duty Cycle. Controls the ratios (in numbers of 32.768 kHz clock periods) of "on" time versus "off" time for PORLVD, bandgap reference, and pspump.</p> <p>00b 1 / 256 (8 ms).            01b 1 / 1024 (31.2 ms).            10b 1 / 64 (2 ms).            11b 1 / 16 (500 <math>\mu</math>s).</p>

## 21.4.25 SLP\_CFG2

### Sleep Configuration Register 2

#### Individual Register Names and Addresses:

SLP\_CFG2 : 1,ECh

	7	6	5	4	3	2	1	0
Access : POR						RW : 0	RW : 0	RW : 0
Bit Name					ALT_Buzz[1:0]	I2C_ON	LSO_OFF	

This register holds the configuration for I2C sleep, deep sleep, and buzz.

In the table above, note that reserved bits are grayed table cells and are not described in the bit description section below. Reserved bits must always be written with a value of '0'. For additional information, refer to the [Register Definitions on page 77](#) in the Sleep and Watchdog chapter.

Bit	Name	Description
3:2	ALT_Buzz[1:0]	<p>These bits control additional selections for POR/LVD buzz rates.</p> <p>00 Compatibility mode, buzz rate is determined by PSSDC bits.</p> <p>01 Duty cycle is 1/32768.</p> <p>10 Duty cycle is 1/8192.</p> <p>11 Reserved.</p>
1	I2C_ON	This bit enables the standby regulator in I2C sleep mode at a level sufficient to supply the I2C circuitry.
0	LSO_OFF	This bit disables the LSO oscillator when in sleep state.

## 21.4.26 SLP\_CFG3

### Sleep Configuration Register 3

**Individual Register Names and Addresses:**

SLP\_CFG3 : 1,EDh

	7	6	5	4	3	2	1	0
<b>Access : POR</b>		RW : 1	RW : 11	RW : 11	RW : 11	RW : 11	RW : 11	RW : 11
<b>Bit Name</b>		DBL_TAPS	T2TAP[1:0]	T1TAP[1:0]	T1TAP[1:0]	T1TAP[1:0]	T0TAP[1:0]	T0TAP[1:0]

This register holds the configuration of the wakeup sequence taps.

**It is strongly recommended to not alter this register setting.**

In the table above, note that the reserved bit is a grayed table cell and is not described in the bit description section below. Reserved bits must always be written with a value of '0'. For additional information, refer to the [Register Definitions on page 77](#) in the Sleep and Watchdog chapter.

Bit	Name	Description
6	<b>DBL_TAPS</b>	When this bit is set all the tap values (T0, T1, and T2) are doubled for the wakeup sequence.
5:4	<b>T2TAP[1:0]</b>	These bits control the duration of the T2-T4 sequence (see <a href="#">Figure 10-2 on page 75</a> ) by selecting a tap from the WakeupTimer. <b>Note:</b> The T2 delay is only valid for the wakeup sequence. It is not used for the buzz sequence. 00     1 $\mu$ s 01     2 $\mu$ s 10     5 $\mu$ s 11     10 $\mu$ s
3:2	<b>T1TAP[1:0]</b>	These bits control the duration of the T1-T2 sequence (see <a href="#">Figure 10-2 on page 75</a> ) by selecting a tap from the Wakeup Timer. 00     3 $\mu$ s 01     4 $\mu$ s 10     5 $\mu$ s 11     10 $\mu$ s
1:0	<b>T0TAP[1:0]</b>	These bits control the duration of the T0-T1 sequence (see <a href="#">Figure 10-2 on page 75</a> ) by selecting a tap from the Wakeup Timer. 00     10 $\mu$ s 01     14 $\mu$ s 10     20 $\mu$ s 11     30 $\mu$ s

## 21.4.27 IMO\_TR1

### Internal Main Oscillator Trim Register 1

#### Individual Register Names and Addresses:

IMO\_TR1 : 1,FAh

	7	6	5	4	3	2	1	0
Access : POR							W : 0	
Bit Name							FineTrim[2:0]	

This register is used to fine tune the IMO frequency.

***It is strongly recommended that the user not alter this register's values.***

In the table above, note that reserved bits are grayed table cells and are not described in the bit description section. Reserved bits should always be written with a value of '0'. For additional information, refer to the [Register Definitions on page 64](#) in the Internal Main Oscillator chapter.

Bit	Name	Description
7:0	<b>FineTrim[2:0]</b>	These bits provide ability to fine tune the IMO frequency. These values are normally only changed by the oscillator-locking function. These are the lower 3 bits of the 11-bit oscillator trim. IMO_TR holds the MSb.

# Section F: Glossary



The Glossary section explains the terminology used in this technical reference manual. Glossary terms are characterized in **bold, italic font** throughout the text of this manual.

---

## A

- accumulator** In a CPU, a register in which intermediate results are stored. Without an accumulator, it would be necessary to write the result of each calculation (addition, subtraction, shift, and so on) to main memory and read them back. Access to main memory is slower than access to the accumulator, which usually has direct paths to and from the arithmetic and logic unit (ALU).
- active high**
1. A logic signal having its asserted state as the logic 1 state.
  2. A logic signal having the logic 1 state as the higher voltage of the two states.
- active low**
1. A logic signal having its asserted state as the logic 0 state.
  2. A logic signal having its logic 1 state as the lower voltage of the two states: inverted logic.
- address** The label or number identifying the memory location (RAM, ROM, or register) where a unit of information is stored.
- algorithm** A procedure for solving a mathematical problem in a finite number of steps that frequently involve repetition of an operation.
- ambient temperature** The temperature of the air in a designated area, particularly the area surrounding the PSoC device.
- analog** As opposed to digital, signals that are on or off or '1' or '0'. Analog signals vary in a continuous manner. See also **analog signals**.
- analog blocks** The basic programmable opamp circuits. These are SC (switched capacitor) and CT (continuous time) blocks. These blocks can be interconnected to provide ADCs, DACs, multi-pole filters, gain stages, and much more.
- analog output** An output that is capable of driving any voltage between the supply rails, instead of just a logic 1 or logic 0.
- analog signals** A signal represented in a continuous form with respect to continuous times, as contrasted with a digital signal represented in a discrete (discontinuous) form in a sequence of time.
- analog-to-digital (ADC)** A device that changes an analog signal to a digital signal of corresponding magnitude. Typically, an ADC converts a voltage to a digital number. The **digital-to-analog (DAC)** converter performs the reverse operation.
- AND** See **Boolean Algebra**.

<b>API (Application Programming Interface)</b>	A series of software routines that comprise an interface between a computer application and lower-level services and functions (for example, user modules and libraries). APIs serve as building blocks for programmers that create software applications.
<b>array</b>	An array, also known as a vector or list, is one of the simplest data structures in computer programming. Arrays hold a fixed number of equally-sized data elements, generally of the same data type. Individual elements are accessed by index using a consecutive range of integers, as opposed to an associative array. Most high level programming languages have arrays as a built-in data type. Some arrays are multi-dimensional, meaning they are indexed by a fixed number of integers; for example, by a group of two integers. One- and two-dimensional arrays are the most common. Also, an array can be a group of capacitors or resistors connected in some common form.
<b>assembly</b>	A symbolic representation of the machine language of a specific processor. Assembly language is converted to machine code by an assembler. Usually, each line of assembly code produces one machine instruction, though the use of macros is common. Assembly languages are considered low level languages; where as C is considered a high level language.
<b>asynchronous</b>	A signal whose data is acknowledged or acted upon immediately, irrespective of any clock signal.
<b>attenuation</b>	The decrease in intensity of a signal as a result of absorption of energy and of scattering out of the path to the detector, but not including the reduction due to geometric spreading. Attenuation is usually expressed in dB.
<b>B</b>	
<b>bandgap reference</b>	A stable voltage reference design that matches the positive temperature coefficient of $V_T$ with the negative temperature coefficient of $V_{BE}$ , to produce a zero temperature coefficient (ideally) reference.
<b>bandwidth</b>	<ol style="list-style-type: none"><li>1. The frequency range of a message or information processing system measured in hertz.</li><li>2. The width of the spectral region over which an amplifier (or absorber) has substantial gain (or loss). It is sometimes represented more specifically as, for example, full width at half maximum.</li></ol>
<b>bias</b>	<ol style="list-style-type: none"><li>1. A systematic deviation of a value from a reference value.</li><li>2. The amount by which the average of a set of values departs from a reference value.</li><li>3. The electrical, mechanical, magnetic, or other force (field) applied to a device to establish a reference level to operate the device.</li></ol>
<b>bias current</b>	The constant low level DC current that is used to produce a stable operation in amplifiers. This current can sometimes be changed to alter the bandwidth of an amplifier.
<b>binary</b>	The name for the base 2 numbering system. The most common numbering system is the base 10 numbering system. The base of a numbering system indicates the number of values that may exist for a particular positioning within a number for that system. For example, in base 2, binary, each position may have one of two values (0 or 1). In the base 10, decimal, each position may have one of ten values (0, 1, 2, 3, 4, 5, 6, 7, 8, and 9).
<b>bit</b>	A single digit of a binary number. Therefore, a bit may only have a value of '0' or '1'. A group of 8 bits is called a byte. Because the PSoC M8C is an 8-bit microcontroller, the PSoC native data chunk size is a byte.



<b>bit rate (BR)</b>	The number of bits occurring per unit of time in a bit stream, usually expressed in bits per second (bps).
<b>block</b>	<ol style="list-style-type: none"><li>1. A functional unit that performs a single function, such as an oscillator.</li><li>2. A functional unit that may be configured to perform one of several functions, such as a digital block or an analog block.</li></ol>
<b>Boolean Algebra</b>	<p>In mathematics and computer science, Boolean algebras or Boolean lattices, are algebraic structures which "capture the essence" of the logical operations AND, OR and NOT as well as set theoretic operations union, intersection, and complement. Boolean algebra also defines a set of theorems that describe how Boolean equations can be manipulated. For example, these theorems are used to simplify Boolean equations which reduces the number of logic elements needed to implement the equation.</p> <p>The operators of Boolean algebra may be represented in various ways. Often they are simply written as AND, OR, and NOT. In describing circuits, NAND (NOT AND), NOR (NOT OR), XNOR (exclusive NOT OR), and XOR (exclusive OR) may also be used. Mathematicians often use + (for example, A+B) for OR and • for AND (for example, A*B) (since in some ways those operations are analogous to addition and multiplication in other algebraic structures) and represent NOT by a line drawn above the expression being negated (for example, <math>\sim A</math>, <math>A_{\sim}</math>, !A).</p>
<b>break-before-make</b>	The elements involved go through a disconnected state entering ("break") before the new connected state ("make").
<b>broadcast net</b>	A signal that is routed throughout the microcontroller and is accessible by many blocks or systems.
<b>buffer</b>	<ol style="list-style-type: none"><li>1. A storage area for data that is used to compensate for a speed difference, when transferring data from one device to another. Usually refers to an area reserved for I/O operations into which data is read or from which data is written.</li><li>2. A portion of memory set aside to store data, often before it is sent to an external device or as it is received from an external device.</li><li>3. An amplifier used to lower the output impedance of a system.</li></ol>
<b>bus</b>	<ol style="list-style-type: none"><li>1. A named connection of nets. Bundling nets together in a bus makes it easier to route nets with similar routing patterns.</li><li>2. A set of signals performing a common function and carrying similar data. Typically represented using vector notation; for example, address[7:0].</li><li>3. One or more conductors that serve as a common connection for a group of related devices.</li></ol>
<b>byte</b>	A digital storage unit consisting of 8 bits.
<b>C</b>	
<b>C</b>	A high level programming language.
<b>capacitance</b>	A measure of the ability of two adjacent conductors, separated by an insulator, to hold a charge when a voltage differential is applied between them. Capacitance is measured in units of Farads.
<b>capture</b>	To extract information automatically through the use of software or hardware, as opposed to hand-entering of data into a computer file.

<b>chaining</b>	Connecting two or more 8-bit digital blocks to form 16-, 24-, and even 32-bit functions. Chaining allows certain signals such as Compare, Carry, Enable, Capture, and Gate to be produced from one block to another.
<b>checksum</b>	The checksum of a set of data is generated by adding the value of each data word to a sum. The actual checksum can simply be the result sum or a value that must be added to the sum to generate a pre-determined value.
<b>chip</b>	A single monolithic Integrated Circuit (IC). See also <i>integrated circuit (IC)</i> .
<b>clear</b>	To force a bit/register to a value of logic 0.
<b>clock</b>	The device that generates a periodic signal with a fixed frequency and duty cycle. A clock is sometimes used to synchronize different logic blocks.
<b>clock generator</b>	A circuit that is used to generate a clock signal.
<b>CMOS</b>	The logic gates constructed using <b>MOS</b> transistors connected in a complementary manner. CMOS is an acronym for complementary metal-oxide semiconductor.
<b>comparator</b>	An electronic circuit that produces an output voltage or current whenever two input levels simultaneously satisfy pre-determined amplitude requirements.
<b>compiler</b>	A program that translates a high level language, such as C, into machine language.
<b>configuration</b>	In a computer system, an arrangement of functional units according to their nature, number, and chief characteristics. Configuration pertains to hardware, software, firmware, and documentation. The configuration affects system performance.
<b>configuration space</b>	In PSoC devices, the register space accessed when the XIO bit in the CPU_F register is set to '1'.
<b>crowbar</b>	A type of over-voltage protection that rapidly places a low resistance shunt (typically an SCR) from the signal to one of the power supply rails, when the output voltage exceeds a pre-determined value.
<b>crystal oscillator</b>	An oscillator in which the frequency is controlled by a piezoelectric crystal. Typically a piezoelectric crystal is less sensitive to ambient temperature than other circuit components.
<b>cyclic redundancy check (CRC)</b>	A calculation used to detect errors in data communications, typically performed using a linear feedback shift register. Similar calculations may be used for a variety of other purposes such as data compression.
<b>D</b>	
<b>data bus</b>	A bidirectional set of signals used by a computer to convey information from a memory location to the central processing unit and vice versa. More generally, a set of signals used to convey data between digital functions.
<b>data stream</b>	A sequence of digitally encoded signals used to represent information in transmission.
<b>data transmission</b>	The sending of data from one place to another by means of signals over a channel.

<b>debugger</b>	A hardware and software system that allows the user to analyze the operation of the system under development. A debugger usually allows the developer to step through the firmware one step at a time, set break points, and analyze memory.
<b>dead band</b>	A period of time when neither of two or more signals are in their active state or in transition.
<b>decimal</b>	A base 10 numbering system, which uses the symbols 0, 1, 2, 3, 4, 5, 6, 7, 8 and 9 (called digits) together with the decimal point and the sign symbols + (plus) and - (minus) to represent numbers.
<b>default value</b>	Pertaining to the pre-defined initial, original, or specific setting, condition, value, or action a system assumes, uses, or takes in the absence of instructions from the user.
<b>device</b>	The device referred to in this manual is the PSoC chip, unless otherwise specified.
<b>die</b>	An unpackaged Integrated Circuit (IC), normally cut from a wafer.
<b>digital</b>	A signal or function, the amplitude of which is characterized by one of two discrete values: '0' or '1'.
<b>digital blocks</b>	The 8-bit logic blocks that can act as a counter, timer, serial receiver, serial transmitter, CRC generator, pseudo-random number generator, or SPI.
<b>digital logic</b>	A methodology for dealing with expressions containing two-state variables that describe the behavior of a circuit or system.
<b>digital-to-analog (DAC)</b>	A device that changes a digital signal to an analog signal of corresponding magnitude. The <b>analog-to-digital (ADC)</b> converter performs the reverse operation.
<b>direct access</b>	The capability to obtain data from a storage device, or to enter data into a storage device, in a sequence independent of their relative positions by means of addresses that indicate the physical location of the data.
<b>duty cycle</b>	The relationship of a clock period <b>high time</b> to its <b>low time</b> , expressed as a percent.
<b>E</b>	
<b>emulator</b>	Duplicates (provides an emulation of) the functions of one system with a different system, so that the second system appears to behave similar to the first system.
<b>External Reset (XRES)</b>	An active high signal that is driven into the PSoC device. It causes all operation of the CPU and blocks to stop and return to a pre-defined state.
<b>F</b>	
<b>falling edge</b>	A transition from a logic 1 to a logic 0. Also known as a negative edge.
<b>feedback</b>	The return of a portion of the output, or processed portion of the output, of a (usually active) device to the input.
<b>filter</b>	A device or process by which certain frequency components of a signal are attenuated.

<b>firmware</b>	The software that is embedded in a hardware device and executed by the CPU. The software may be executed by the end user but it may not be modified.
<b>flag</b>	Any of various types of indicators used for identification of a condition or event (for example, a character that signals the termination of a transmission).
<b>Flash</b>	An electrically programmable and erasable, non <b>volatile</b> technology that provides users with the programmability and data storage of EPROMs, plus in-system erasability. Nonvolatile means that the data is retained when power is off.
<b>Flash bank</b>	A group of Flash ROM blocks where Flash block numbers always begin with '0' in an individual Flash bank. A Flash bank also has its own block level protection information.
<b>Flash block</b>	The smallest amount of Flash ROM space that may be programmed at one time and the smallest amount of Flash space that may be protected. A Flash block holds 64 bytes.
<b>flip-flop</b>	A device having two stable states and two input terminals (or types of input signals) each of which corresponds with one of the two states. The circuit remains in either state until it is made to change to the other state by application of the corresponding signal.
<b>frequency</b>	The number of cycles or events per unit of time, for a periodic function.

**G**

<b>gain</b>	The ratio of output current, voltage, or power to input current, voltage, or power, respectively. Gain is usually expressed in dB.
<b>ground</b>	<ol style="list-style-type: none"><li>1. The electrical neutral line having the same potential as the surrounding earth.</li><li>2. The negative side of DC power supply.</li><li>3. The reference point for an electrical system.</li><li>4. The conducting paths between an electric circuit or equipment and the earth, or some conducting body serving in place of the earth.</li></ol>

**H**

<b>hardware</b>	A comprehensive term for all of the physical parts of a computer or embedded system, as distinguished from the data it contains or operates on, and the software that provides instructions for the hardware to accomplish tasks.
<b>hardware reset</b>	A reset that is caused by a circuit, such as a POR, watchdog reset, or external reset. A hardware reset restores the state of the device as it was when it was first powered up. Therefore, all registers are set to the POR value as indicated in register tables throughout this manual.

**hexadecimal**

A base 16 numeral system (often abbreviated and called hex), usually written using the symbols 0-9 and A-F. It is a useful system in computers because there is an easy mapping from four bits to a single hex digit. Thus, one can represent every byte as two consecutive hexadecimal digits. Compare the binary, hex, and decimal representations:

bin	=	hex	=	dec
0000b	=	0x0	=	0
0001b	=	0x1	=	1
0010b	=	0x2	=	2
...				
1001b	=	0x9	=	9
1010b	=	0xA	=	10
1011b	=	0xB	=	11
...				
1111b	=	0xF	=	15

So the decimal numeral 79 whose binary representation is 0100 1111b can be written as 4Fh in hexadecimal (0x4F).

**high time**

The amount of time the signal has a value of '1' in one period, for a periodic digital signal.

**I****I2C**

A two-wire serial computer bus by Philips Semiconductors (now NXP Semiconductors). I2C is an inter-integrated circuit. It is used to connect low-speed peripherals in an embedded system. The original system was created in the early 1980s as a battery control interface, but it was later used as a simple internal bus system for building control electronics. I2C uses only two bidirectional pins, clock and data, both running at +5V and pulled high with resistors. The bus operates at 100 kbits/second in standard mode and 400 kbits/second in fast mode.

**ICE**

The in-circuit emulator that allows users to test the project in a hardware environment, while viewing the debugging device activity in a software environment (PSoC Designer™).

**idle state**

A condition that exists whenever user messages are not being transmitted, but the service is immediately available for use.

**impedance**

1. The resistance to the flow of current caused by resistive, capacitive, or inductive devices in a circuit.
2. The total passive opposition offered to the flow of electric current. Note the impedance is determined by the particular combination of resistance, inductive reactance, and capacitive reactance in a given circuit.

**input**

A point that accepts data in a device, process, or channel.

**input/output (I/O)**

A device that introduces data into or extracts data from a system.

**instruction**

An expression that specifies one operation and identifies its operands, if any, in a programming language such as C or assembly.

**integrated circuit (IC)**

A device in which components such as resistors, capacitors, diodes, and **transistors** are formed on the surface of a single piece of semiconductor.

**interface**

The means by which two systems or devices are connected and interact with each other.

**interrupt** A suspension of a process, such as the execution of a computer program, caused by an event external to that process and performed in such a way that the process can be resumed.

**interrupt service routine (ISR)** A block of code that normal code execution is diverted to when the M8C receives a hardware interrupt. Many interrupt sources may each exist with its own priority and individual ISR code block. Each ISR code block ends with the RETI instruction, returning the device to the point in the program where it left normal program execution.

## J

**jitter**

1. A misplacement of the timing of a transition from its ideal position. A typical form of corruption that occurs on serial data streams.
2. The abrupt and unwanted variations of one or more signal characteristics, such as the interval between successive pulses, the amplitude of successive cycles, or the frequency or phase of successive cycles.

## K

**keeper** A circuit that holds a signal to the last driven value, even when the signal becomes un-driven.

## L

**latency** The time or delay that it takes for a signal to pass through a given circuit or network.

**least significant bit (LSb)** The binary digit, or bit, in a binary number that represents the least significant value (typically the right-hand bit). The bit versus byte distinction is made by using a lower case “b” for bit in LSb.

**least significant byte (LSB)** The byte in a multi-byte word that represents the least significant value (typically the right-hand byte). The byte versus bit distinction is made by using an upper case “B” for byte in LSB.

**Linear Feedback Shift Register (LFSR)** A shift register whose data input is generated as an **XOR** of two or more elements in the register chain.

**load** The electrical demand of a process expressed as power (watts), current (amps), or resistance (ohms).

**logic function** A mathematical function that performs a digital operation on digital data and returns a digital value.

**lookup table (LUT)** A logic block that implements several logic functions. The logic function is selected by means of select lines and is applied to the inputs of the block. For example: A 2 input LUT with 4 select lines can be used to perform any one of 16 logic functions on the two inputs resulting in a single logic output. The LUT is a combinational device; therefore, the input/output relationship is continuous, that is, not sampled.

**low time** The amount of time the signal has a value of '0' in one period, for a periodic digital signal.

**low voltage detect (LVD)** A circuit that senses V<sub>DD</sub> and provides an interrupt to the system when V<sub>DD</sub> falls below a selected threshold.

**M**

<b>M8C</b>	An 8-bit Harvard Architecture microprocessor. The microprocessor coordinates all activity inside the PSoC device by interfacing to the Flash, SRAM, and register space.
<b>macro</b>	A programming language macro is an abstraction whereby a certain textual pattern is replaced according to a defined set of rules. The interpreter or compiler automatically replaces the macro instance with the macro contents when an instance of the macro is encountered. Therefore, if a macro is used 5 times and the macro definition required 10 bytes of code space, 50 bytes of code space are needed in total.
<b>mask</b>	<ol style="list-style-type: none"><li>1. To obscure, hide, or otherwise prevent information from being derived from a signal. It is usually the result of interaction with another signal, such as noise, static, jamming, or other forms of interference.</li><li>2. A pattern of bits that can be used to retain or suppress segments of another pattern of bits in computing and data processing systems.</li></ol>
<b>master device</b>	A device that controls the timing for data exchanges between two devices. Or when devices are cascaded in width, the master device is the one that controls the timing for data exchanges between the cascaded devices and an external interface. The controlled device is called the <b>slave device</b> .
<b>microcontroller</b>	An integrated circuit <b>chip</b> that is designed primarily for control systems and products. In addition to a CPU, a microcontroller typically includes memory, timing circuits, and I/O circuitry. The reason for this is to permit the realization of a controller with a minimal quantity of chips, thus achieving maximal possible miniaturization. This, in turn, reduces the volume and the cost of the controller. The microcontroller is normally not used for general-purpose computation as is a microprocessor.
<b>mixed signal</b>	The reference to a circuit containing both analog and digital techniques and components.
<b>mnemonic</b>	<ol style="list-style-type: none"><li>1. A tool intended to assist the memory. Mnemonics rely on not only repetition to remember facts, but also on creating associations between easy-to-remember constructs and lists of data.</li><li>2. A two to four character string representing a microprocessor instruction.</li></ol>
<b>mode</b>	A distinct method of operation for software or hardware. For example, the digital block may be in either counter mode or timer mode.
<b>modulation</b>	A range of techniques for encoding information on a carrier signal, typically a sine-wave signal. A device that performs modulation is known as a modulator.
<b>Modulator</b>	A device that imposes a signal on a carrier.
<b>MOS</b>	An acronym for metal-oxide semiconductor.
<b>most significant bit (MSb)</b>	The binary digit, or bit, in a binary number that represents the most significant value (typically the left-hand bit). The bit versus byte distinction is made by using a lower case "b" for bit in MSb.
<b>most significant byte (MSB)</b>	The byte in a multi-byte word that represents the most significant value (typically the left-hand byte). The byte versus bit distinction is made by using an upper case "B" for byte in MSB.

***multiplexer (mux)***

1. A logic function that uses a binary value, or address, to select between a number of inputs and conveys the data from the selected input to the output.
2. A technique which allows different input (or output) signals to use the same lines at different times, controlled by an external signal. Multiplexing is used to save on wiring and I/O ports.

## N

***NAND*** See ***Boolean Algebra***.

***negative edge*** A transition from a logic 1 to a logic 0. Also known as a falling edge.

***net*** The routing between devices.

***nibble*** A group of four bits, which is one-half of a byte.

***noise***

1. A disturbance that affects a signal and that may distort the information carried by the signal.
2. The random variations of one or more characteristics of any entity such as voltage, current, or data.

***NOR*** See ***Boolean Algebra***.

***NOT*** See ***Boolean Algebra***.

## O

***OR*** See ***Boolean Algebra***.

***oscillator*** A circuit that may be crystal controlled and is used to generate a clock frequency.

***output*** The electrical signal or signals which are produced by an analog or digital block.

## P

***parallel*** The means of communication in which digital data is sent multiple bits at a time, with each simultaneous bit being sent over a separate line.

***parameter*** Characteristics for a given block that have either been characterized or may be defined by the designer.

***parameter block*** A location in memory where parameters for the SSC instruction are placed prior to execution.

***parity*** A technique for testing transmitting data. Typically, a binary digit is added to the data to make the sum of all the digits of the binary data either always even (even parity) or always odd (odd parity).

***path***

1. The logical sequence of instructions executed by a computer.
2. The flow of an electrical signal through a circuit.

***pending interrupts*** An interrupt that has been triggered but has not been serviced, either because the processor is busy servicing another interrupt or global interrupts are disabled.



<b>phase</b>	The relationship between two signals, usually the same frequency, that determines the delay between them. This delay between signals is either measured by time or angle (degrees).
<b>Phase-Locked Loop (PLL)</b>	An electronic circuit that controls an <b>oscillator</b> so that it maintains a constant phase angle relative to a reference signal.
<b>pin</b>	A terminal on a hardware component. Also called lead.
<b>pinouts</b>	The pin number assignment: the relation between the logical inputs and outputs of the PSoC device and their physical counterparts in the printed circuit board (PCB) package. Pinouts involves pin numbers as a link between schematic and PCB design (both being computer generated files) and may also involve pin names.
<b>port</b>	A group of pins, usually eight.
<b>positive edge</b>	A transition from a logic 0 to a logic 1. Also known as a rising edge.
<b>posted interrupts</b>	An interrupt that has been detected by the hardware but may or may not be enabled by its mask bit. Posted interrupts that are not masked become pending interrupts.
<b>Power On Reset (POR)</b>	A circuit that forces the PSoC device to reset when the voltage is below a pre-set level. This is one type of <b>hardware reset</b> .
<b>program counter</b>	The instruction pointer (also called the program counter) is a register in a computer processor that indicates where in memory the CPU is executing instructions. Depending on the details of the particular machine, it holds either the address of the instruction being executed or the address of the next instruction to be executed.
<b>protocol</b>	A set of rules. Particularly the rules that govern networked communications.
<b>PSoC®</b>	Cypress Semiconductor's Programmable System-on-Chip (PSoC) mixed-signal array. PSoC® is a trademark of Cypress.
<b>PSoC blocks</b>	See <b>analog blocks</b> and <b>digital blocks</b> .
<b>PSoC Designer™</b>	The software for Cypress' Programmable System-on-Chip technology.
<b>pulse</b>	A rapid change in some characteristic of a signal (for example, phase or frequency) from a baseline value to a higher or lower value, followed by a rapid return to the baseline value.
<b>pulse width modulator (PWM)</b>	An output in the form of duty cycle which varies as a function of the applied measure.

## R

<b>RAM</b>	An acronym for random access memory. A data-storage device from which data can be read out and new data can be written in.
<b>register</b>	A storage device with a specific capacity, such as a bit or byte.
<b>reset</b>	A means of bringing a system back to a known state. See <b>hardware reset</b> and <b>software reset</b> .
<b>resistance</b>	The resistance to the flow of electric current measured in ohms for a conductor.

<b>revision ID</b>	A unique identifier of the PSoC device.
<b>ripple divider</b>	An asynchronous ripple counter constructed of flip-flops. The clock is fed to the first stage of the counter. An n-bit binary counter consisting of n flip-flops that can count in binary from 0 to $2^n - 1$ .
<b>rising edge</b>	See <b>positive edge</b> .
<b>ROM</b>	An acronym for read only memory. A data-storage device from which data can be read out, but new data cannot be written in.
<b>routine</b>	A block of code, called by another block of code, that may have some general or frequent use.
<b>routing</b>	Physically connecting objects in a design according to design rules set in the reference library.
<b>runt pulses</b>	In digital circuits, narrow pulses that, due to non-zero rise and fall times of the signal, do not reach a valid high or low level. For example, a runt pulse may occur when switching between asynchronous clocks or as the result of a race condition in which a signal takes two separate paths through a circuit. These race conditions may have different delays and are then recombined to form a glitch or when the output of a flip-flop becomes metastable.
<b>S</b>	
<b>sampling</b>	The process of converting an analog signal into a series of digital values or reversed.
<b>schematic</b>	A diagram, drawing, or sketch that details the elements of a system, such as the elements of an electrical circuit or the elements of a logic diagram for a computer.
<b>seed value</b>	An initial value loaded into a linear feedback shift register or random number generator.
<b>serial</b>	<ol style="list-style-type: none"><li>1. Pertaining to a process in which all events occur one after the other.</li><li>2. Pertaining to the sequential or consecutive occurrence of two or more related activities in a single device or channel.</li></ol>
<b>set</b>	To force a bit/register to a value of logic 1.
<b>settling time</b>	The time it takes for an output signal or value to stabilize after the input has changed from one value to another.
<b>shift</b>	The movement of each bit in a word, one position to either the left or right. For example, if the hex value 0x24 is shifted one place to the left, it becomes 0x48. If the hex value 0x24 is shifted one place to the right, it becomes 0x12.
<b>shift register</b>	A memory storage device that sequentially shifts a word either left or right to output a stream of serial data.
<b>sign bit</b>	The most significant binary digit, or bit, of a signed binary number. If set to a logic 1, this bit represents a negative quantity.
<b>signal</b>	A detectable transmitted energy that can be used to carry information. As applied to electronics, any transmitted electrical impulse.
<b>silicon ID</b>	A unique identifier of the PSoC silicon.

<b>skew</b>	The difference in arrival time of bits transmitted at the same time, in parallel transmission.
<b>slave device</b>	A device that allows another device to control the timing for data exchanges between two devices. Or when devices are cascaded in width, the slave device is the one that allows another device to control the timing of data exchanges between the cascaded devices and an external interface. The controlling device is called the master device.
<b>software</b>	A set of computer programs, procedures, and associated documentation concerned with the operation of a data processing system (for example, compilers, library routines, manuals, and circuit diagrams). Software is often written first as source code and then converted to a binary format that is specific to the device on which the code is executed.
<b>software reset</b>	A partial reset executed by software to bring part of the system back to a known state. A software reset restores the M8C to a known state but not blocks, systems, peripherals, or registers. For a software reset, the CPU registers (CPU_A, CPU_F, CPU_PC, CPU_SP, and CPU_X) are set to 0x00. Therefore, code execution begins at Flash address 0x0000.
<b>SRAM</b>	An acronym for static random access memory. A memory device allowing users to store and retrieve data at a high rate of speed. The term static is used because, once a value has been loaded into an SRAM cell, it remains unchanged until it is explicitly altered or until power is removed from the device.
<b>SROM</b>	An acronym for supervisory read only memory. The SROM holds code that is used to boot the device, calibrate circuitry, and perform Flash operations. The functions of the SROM may be accessed in normal user code, operating from Flash.
<b>stack</b>	A stack is a data structure that works on the principle of Last In First Out (LIFO). This means that the last item put on the stack is the first item that can be taken off.
<b>stack pointer</b>	A stack may be represented in a computer's inside blocks of memory cells, with the bottom at a fixed location and a variable stack pointer to the current top cell.
<b>state machine</b>	The actual implementation (in hardware or software) of a function that can be considered to consist of a set of states through which it sequences.
<b>sticky</b>	A bit in a register that maintains its value past the time of the event that caused its transition has passed.
<b>stop bit</b>	A signal following a character or block that prepares the receiving device to receive the next character or block.
<b>switching</b>	The controlling or routing of signals in circuits to execute logical or arithmetic operations, or to transmit data between specific points in a network.
<b>switch phasing</b>	The clock that controls a given switch, PHI1 or PHI2, in respect to the switched capacitor (SC) blocks. The SC blocks have two groups of switches. One group of these switches is normally closed during PHI1 and open during PHI2. The other group is open during PHI1 and closed during PHI2. These switches can be controlled in the normal operation, or in reverse mode if the PHI1 and PHI2 clocks are reversed.
<b>synchronous</b>	<ol style="list-style-type: none"><li>1. A signal whose data is not acknowledged or acted upon until the next active edge of a clock signal.</li><li>2. A system whose operation is synchronized by a clock signal.</li></ol>

**T**

- tap** The connection between two blocks of a device created by connecting several blocks/components in a series, such as a shift register or resistive voltage divider.
- terminal count** The state at which a counter is counted down to zero.
- threshold** The minimum value of a signal that can be detected by the system or sensor under consideration.
- transistors** The transistor is a solid-state semiconductor device used for amplification and switching, and has three terminals. A small current or voltage applied to one terminal controls the current through the other two. It is the key component in all modern electronics. In digital circuits, transistors are used as very fast electrical switches, and arrangements of transistors can function as logic gates, RAM-type memory, and other devices. In analog circuits, transistors are essentially used as amplifiers.
- tri-state** A function whose output can adopt three states: 0, 1, and Z (high-impedance). The function does not drive any value in the Z state and, in many respects, may be considered to be disconnected from the rest of the circuit, allowing another output to drive the same **net**.

**U**

- UART** A UART or universal asynchronous receiver-transmitter translates between parallel bits of data and serial bits.
- user** The person using the PSoC device and reading this manual.
- user modules** Pre-build, pre-tested hardware/firmware peripheral functions that take care of managing and configuring the lower level analog and digital blocks. User modules also provide high level **API (Application Programming Interface)** for the peripheral function.
- user space** The bank 0 space of the register map. The registers in this bank are more likely to be modified during normal program execution and not just during initialization. Registers in bank 1 are most likely to be modified only during the initialization phase of the program.

**V**

- V<sub>dd</sub>** A name for a power net meaning "voltage drain." The most positive power supply signal. Usually 5 or 3.3 volts.
- volatile** Not guaranteed to stay the same value or level when not in scope.
- V<sub>ss</sub>** A name for a power net meaning "voltage source." The most negative power supply signal.

**W*****watchdog timer***

A timer that must be serviced periodically. If it is not serviced, the CPU resets after a specified period of time.

***waveform***

The representation of a signal as a plot of amplitude versus time.

**X*****XOR***

See ***Boolean Algebra***.



## Numerics

16-Pin Part Pinout 19  
24-Pin Part Pinout 20  
32 kHz clock selection 67  
32-Pin Part Pinout 21  
48-Pin Part Pinout 22

## A

ACK bit 240  
acronyms 18  
Address bits  
    in I2C\_SCR register 240  
address spaces, CPU core 27  
AMUX\_CFG register 204  
Analog bit  
    in INT\_CLR0 register 243  
    in INT\_MSK0 register 250  
analog input, GPIO 56  
architecture  
    PSoC core 23  
    system resources 105  
    top level 14  
    TrueTouch system 83

## B

bank 0 registers 188  
    register mapping table 184  
bank 1 registers 259  
    register mapping table 185  
basic paging in RAM paging 39  
Bias Trim bits in ILO\_TR register 282  
Bus Error bit 240  
Bypass bit 261  
Byte Complete bit 240

## C

Calibrate0 function in SROM 37  
Calibrate1 function in SROM 37  
Carry bit 254  
CDSx bits 208  
CHAIN bit 212  
Checksum function in SROM 37  
CIN\_EN bit 213

CINTx bits 208  
CIP\_EN bit 213  
CLKSEL bits 212  
Clock Phase bit in SPI\_CR 192  
Clock Polarity bit 192  
Clock Rate bits 239  
Clock Sel bit 261  
clock, external digital 110  
    switch operation 110  
clocks digital, See digital clocks  
CMP\_CR0 register 104, 207  
CMP\_CR1 register 104, 208  
CMP\_LUT register 104, 210  
CMP\_MUX register 103, 206  
CMP\_RDC register 103, 205  
CMP0D bit 205  
CMP0L bit 205  
CMP1D bit 205  
CMP1L bit 205  
CMPxEN bits 207  
COHM bit 217  
COHS bit 217  
COLM bit 217  
COLS bit 217  
comparators 101  
    architecture 101  
    register definitions 103  
configuration register in SPI  
    SPI\_CFG register 150  
control register in SPI  
    SPI\_CR register 149  
conventions, documentation  
    acronyms 18  
    numeric naming 17  
    register conventions 183  
core, See PSoC core  
CPINx bits 208  
CPU core 27  
    instruction formats 30  
    instruction set summary 28–29  
    overview 27  
    register definitions 32  
CPU Speed bits 276  
CPU\_F register 32, 254  
CPU\_SCR0 register 138, 258  
CPU\_SCR1 register 65, 257  
CRSTx bits 208  
CS\_CNTH register 94, 216

CS\_CNTL register 94, 215  
 CS\_CR0 register 92, 211  
 CS\_CR1 register 93, 212  
 CS\_CR2 register 93, 213  
 CS\_CR3 register 94, 214  
 CS\_SLEW register 219, 220  
 CS\_STAT register 95, 217  
 CS\_TIMER register 95, 218  
 CSD\_CS\_CLK bit in CS\_CR0 register 211  
 CSD\_MODE bit in CS\_CR0 register 211  
 CSD\_PRSCLK bit in CS\_CR0 register 211  
 CSOUT bits in CS\_CR0 register 211  
 CUR\_PP register 42, 234  
 current page pointer in RAM paging 40

## D

DATA 222, 223  
 DATA bits  
   in PT\_DATA0 register 222, 223  
 Data bits  
   in CS\_CNTH register 94, 216  
   in CS\_CNTL register 94, 215  
   in I2C\_DR register 233, 241  
   in PRTxDR register 59, 188  
   in SPI\_RXR register 148, 191  
   in SPI\_TXR register 147, 190  
   in TMP\_DRx register 42, 266  
 data bypass in GPIO 58  
 data registers in SPI 147  
 development kits 16  
 digital clocks 109  
   architecture 109  
   internal low speed oscillator 110  
   internal main oscillator 109  
   register definitions 112  
   system clocking signals 109  
 digital IO, GPIO 56  
 documentation  
   history 16  
   overview 13  
 Drive Mode 0 bits 259  
 Drive Mode 1 bits 260

## E

EN bit in CS\_CR0 register 211  
 Enable bit 239  
 ENABLE bits  
   in MUX\_CRx registers 271  
   in SPI\_CR register 192  
 ENSWINT bit 52, 251  
 EP0\_CNT register 174, 199  
 EP0\_CR register 173, 177  
 EP0\_DRx register 174, 200  
 EPx\_CNT1 register 175, 176  
 EraseAll function in SROM 36  
 EraseBlock function in SROM 36

EXTCLKEN bit 278  
 external digital clock 110  
 external reset 139

## F

FastSlew bits 219  
 Flash  
   memory organization 35  
 Freq Trim bits for ILO\_TR 282  
 FS\_EN bit 219  
 full-speed USB 165  
   architecture 165  
   memory arbiter 166  
   register definitions 171  
   suspend mode 168  
   USB SIE 165  
   USB SRAM 166

## G

general purpose IO 55  
   analog and digital input 56  
   architecture 55  
   block interrupts 57  
   data bypass 58  
   digital IO 56  
   drive modes 60  
   interrupt modes 57  
   port 1 distinctions 56  
   register definitions 59  
 GIE bit 255  
 GIES bit 258  
 GPIO bit  
   in INT\_CLR0 register 242  
   in INT\_MSK0 register 250  
 GPIO block interrupts 57  
 GPIO, *See* general purpose IO

## H

help, getting  
   development kits 16  
   support 16  
   upgrades 16

## I

I2C bit  
   in INT\_CLR0 register 242  
   in INT\_MSK0 register 250  
 I2C slave 117  
   application overview 118  
   architecture 117  
   basic data transfer 118  
   basic IO timing 130  
   clock generation timing 130  
   operation 118  
   register definitions 122



- stall timing 132
  - status timing 131
- I2C\_CFG register 126, 239
- I2C\_DR register 129, 241
- I2C\_SCR register 128, 240
- ICAPEN bit 204
- IDAC\_D register 97, 256
- IDACDATA bits 256
- IDACEN bit 213
- IDX\_PP register 43, 236
- ILO, *See* internal low speed oscillator
- IMO, *See* internal main oscillator
- IMO\_TR register 281
- IMO\_TR1 register 181
- IMODIS bit 278
- index memory page pointer in RAM paging 41
- INM bit 217
- INN<sub>x</sub> bits 206
- INP<sub>x</sub> bits 206
- INS bit 217
- INSEL bit 212
- instruction formats
  - 1-byte instructions 30
  - 2-byte instructions 30
  - 3-byte instructions 31
- instruction set summary 28–29
- Int Sel bit 261
- INT\_CLR0 register 48, 49, 50, 71, 242, 244, 245
- INT\_MSK0 register 51, 52, 248, 249, 250
- INT\_SW\_EN register 52, 251
- INT\_VC register 52, 252
- INTCAP bits 204
- internal low speed oscillator 67
  - 32 kHz clock selection 67
  - architecture 67
  - in digital clocks 110
  - register definitions 68
- internal M8C registers 27
- internal main oscillator 63
  - architecture 63
  - in digital clocks 109
  - register definitions 64
- interrupt controller 45
  - application overview 46
  - architecture 45
  - interrupt table 47
  - latency and priority 46
  - posted vs pending interrupts 46
  - register definitions 48
- Interrupt Enables bits 189
- interrupt modes in GPIO 57
- interrupt table 47
- interrupts in RAM paging 40
- INV bit 212
- IO analog multiplexer 99
  - architecture 99
  - register definitions 100
- IO\_CFG register 61, 272
- IRAMDIS bit 257
- IRANGE bit 213

IRESS bit 257

## L

- low voltage detect (LVD)
  - See* POR and LVD
- LRB bit 240
- LSb First bit 192
- LUT<sub>x</sub> bits 210
- LVD bit 280
- LVDTBEN bits 279

## M

- M8C, *See* CPU core
- mapping tables, registers 183
- master function for SPI 146
- measurement units 17
- memory arbiter in USB 166
- MODE bits in CS\_CR0 register 211
- MUX\_CR<sub>x</sub> register 100, 270, 271, 277
- MVI instructions in RAM paging 40
- MVR\_PP register 43, 237
- MVW\_PP register 44, 238

## N

- No Buzz bit 276
- numeric naming conventions 17

## O

- One Shot bit 221, 224, 225
- OSC\_CR0 register 276
- OSC\_CR2 register 65, 278
- OUT\_P1 register 113, 273, 274
- Overrun bit 192
- overviews
  - PSoC core 23
  - register tables 183
  - system resources 105
  - TrueTouch system 83

## P

- P10D bit 274
- P10EN bit 274
- P12D bit 273
- P12EN bit 273
- P14D bit 273
- P14EN bit 273
- P16D bit 273
- P16EN bit 273
- Page bits
  - in CUR\_PP register 234
  - in IDX\_PP register 236

- in MVR\_PP register 237
  - in MVW\_PP register 238
  - in STK\_PP register 235
- Pending Interrupt bits 252
- PgMode bits 254
- pin behavior during reset 135
- pin information, *See* pinouts
- pinouts
  - 16-pin part 19
  - 24-pin part 20
  - 32-pin part 21
  - 48-pin part 22
- PMAx\_CUR register 180
- POR and LVD 143
  - architecture 143
  - register definitions 144
- PORLEV bits 279
- PORS bit 258
- power modes
  - system resets 141
- power on reset (POR)
  - See* POR and LVD
- power on reset in system resets 139
- PPM bit 217
- PPS bit 217
- product upgrades 16
- programmable timer 161
  - architecture 161
  - register definitions 163
- ProtectBlock function in SROM 36
- protocol function for SPI 145
- PRTxDM0 register 60, 259
- PRTxDM1 register 60, 260
- PRTxDR register 59, 188
- PRTxIE register 59, 189
- PSelect bit 239
- PSoC core
  - architecture 23
  - overview 14
  - register summary 24
  - See also* CPU core
- PSSDC bits 283, 284, 285
- PT\_CFG register 163, 164, 221
- PT\_DATA1 register 164
- PTx\_DATA0 register 164, 223
- PTx\_DATA1 register 164, 222
- PXD\_EN bit 213

## R

- RAM paging 39
  - architecture 39
  - basic paging 39
  - current page pointer 40
  - index memory page pointer 41
  - interrupts 40
  - MVI instructions 40
  - register definitions 42
  - stack operations 40
- ReadBlock function in SROM 35

- reference of all registers 187
- register conventions 17, 187
- register definitions
  - comparators 103
  - CPU core 32
  - digital clocks 112
  - general purpose IO 59
  - I2C slave 122
  - internal low speed oscillator 68
  - internal main oscillator 64
  - interrupt controller 48
  - IO analog multiplexer 100
  - POR and LVD 144
  - programmable timer 163
  - RAM paging 42
  - sleep and watchdog 77
  - SPI 147
  - supervisory ROM 38
  - system resets 137
  - TrueTouch module 92
  - USB, full-speed 171
- register mapping tables
  - bank 0 registers 184
  - bank 1 registers 185
- registers
  - bank 0 registers 188
  - bank 1 registers 259
  - core register summary 24
  - internal M8C registers 27
  - maneuvering around 187
  - mapping tables 183
  - reference of all registers 187
  - system resources register summary 106
  - TrueTouch register summary 84
- regulated IO
  - application overview 70
  - architecture 69
- RES\_WDT register 77, 253
- RLOCK bit 212
- RX Reg Full bit 192

## S

- serial peripheral interconnect, *See* SPI
- Slave bit 261
- slave function for SPI 146
- slave operation, I2C 118
- sleep and watchdog 73
  - application overview 76
  - architecture 73
  - bandgap refresh 80
  - register definitions 77
  - sleep sequence 79
  - sleep timer 76
  - timing diagrams 79
  - wake up sequence 80
  - watchdog timer 81
- Sleep bit
  - in CPU\_SCR0 register 258
  - in INT\_CLR0 register 242
  - in INT\_MSK0 register 250

Sleep bits 276  
 sleep timer 76  
 SLIMO bit 257  
 SLP\_CFG register 77, 283, 284, 285  
 SPI 145
 

- architecture 145
- configuration register 150
- control register 149
- data registers 147
- master data register definitions 148
- master function 146
- protocol function 145
- register definitions 147
- slave data register definitions 148
- slave function 146
- timing diagrams 151

 SPI bit
 

- in INT\_CLR0 register 242
- in INT\_MSK0 register 250

 SPI Complete bit 192  
 SPI timing diagrams
 

- SPI mode timing 151
- SPIM timing 152
- SPIS timing 157

 SPI\_CFG register 150, 261  
 SPI\_CR register 149, 192  
 SPI\_RXR register 148, 191  
 SPI\_TXR register 147, 190  
 SRAM with USB 166  
 SROM, *See* supervisory ROM  
 SS\_bit 261  
 SS\_EN\_bit 261  
 stack operations in RAM paging 40  
 START bit 221, 224, 225  
 start, how to 16  
 STK\_PP register 43, 235  
 STOP bit 258  
 Stop IE bit 239  
 Stop Status bit 240  
 summary of registers
 

- mapping tables 183
- PSoC core 24
- system resources 106
- TrueTouch system 84

 supervisory ROM
 

- architecture 33
- Calibrate0 function 37
- Calibrate1 function 37
- EraseAll function 36
- EraseBlock function 36
- function descriptions 34
- ProtectBlock function 36
- ReadBlock function 35
- SWBootReset function 34
- TableRead function 36
- WriteBlock function 35

 SWBootReset function in SROM 34  
 switch operation in digital clocks 110  
 system resets 135
 

- architecture 135
- external reset 139

functional details 141  
 pin behavior 135  
 power modes 141  
 power on reset 139  
 register definitions 137  
 timing diagrams 139  
 watchdog timer reset 139  
 system resources
 

- architecture 105
- overview 14, 105
- register summary 106

## T

TableRead function in SROM 36  
 technical support 16  
 Timer1/0 bits
 

- in INT\_CLR0 register 243
- in INT\_MSK0 register 250

 timing diagrams
 

- I2C slave 130
- sleep and watchdog 79
- SPI 151
- system resets 139
- TrueTouch module 97

 TMP\_DRx register 42, 205  
 Transmit bit 240  
 Trim bits in IMO\_TR register 281, 286  
 TrueTouch counter 90  
 TrueTouch module 85
 

- architecture 85
- register definitions 92
- timing diagram 97
- types of approaches 85

 TrueTouch system
 

- architecture 83
- overview 14, 83
- register summary 84

 TX Reg Empty bit 192

## U

units of measure 17  
 upgrades 16  
 USB 195  
 USB, *See* full-speed USB  
 USB\_CR0 register 171, 195  
 USB\_CR1 register 180, 262  
 USB\_SOFx register 171, 193  
 USBIO\_CR0 register 172, 196  
 USBIO\_CR1 register 172, 197

## V

V Monitor bit
 

- in INT\_CLR0 register 243, 245
- in INT\_MSK0 register 250

 VLT\_CMP register 144, 280  
 VLT\_CR register 144, 279

## Index

VM bits 279

### **W**

watchdog timer reset 139

WDRS bit 258

WDSL\_Clear bits 253

WriteAndVerify function in SROM 37

WriteBlock function in SROM 35

### **X**

XIO bit 254

XRES reset 139

### **Z**

Zero bit 255