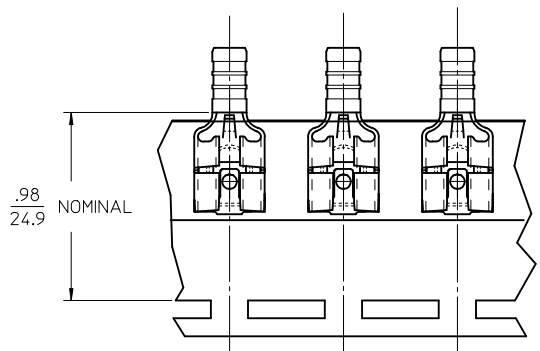
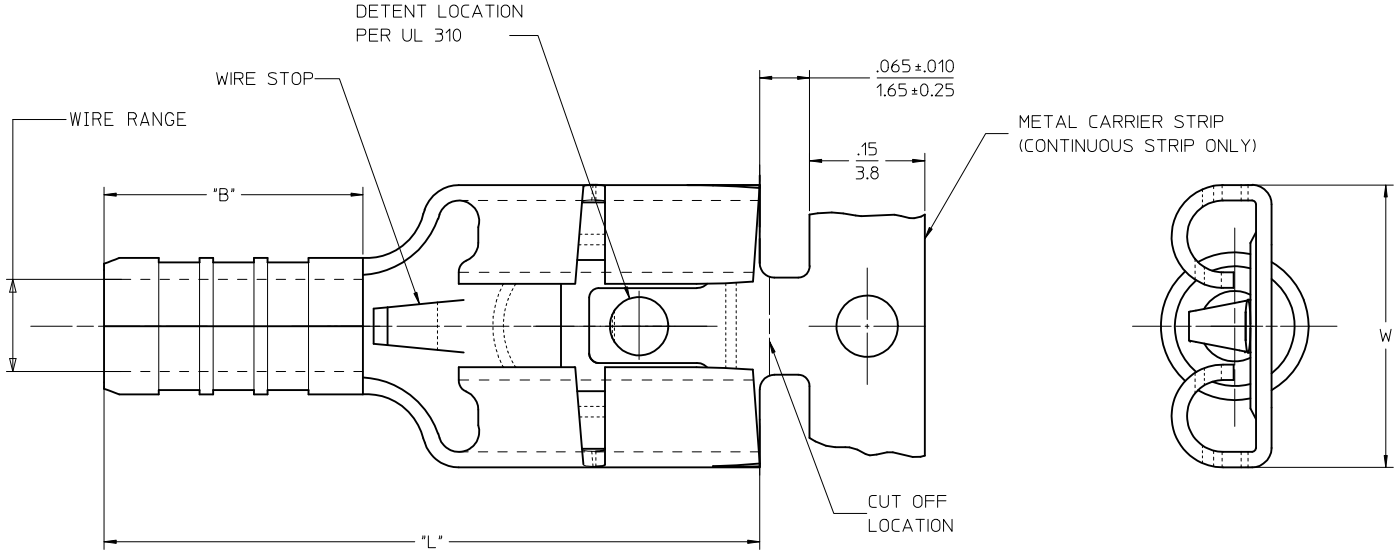


| LOOSE PIECE | | TAPE MOUNTED | | SPECIFICATIONS | | | | | | |
|-----------------|--------------------|-----------------|--------------------|----------------|-----------------|-----------------------|-----------------|------------|-----------|-----------|
| MATERIAL NUMBER | ENGINEERING NUMBER | MATERIAL NUMBER | ENGINEERING NUMBER | WIRE RANGE AWG | MM ² | FITS MALE TAB SIZE | STOCK THICKNESS | "L" MAX. | "B" MAX. | "W" MAX. |
| 192730007 | AA-1140-LIF | 192730009 | AA-1140T-LIF | 22-18/ | 0.25-1.5 | .250x.032 / 6.35x0.81 | .016 / 0.41 | .67 / 17.0 | .21 / 5.3 | .31 / 7.9 |
| 192730008 | BB-1141-LIF | 192730010 | BB-1141T-LIF | 16-14/ | 1.0-2.5 | .250x.032 / 6.35x0.81 | .016 / 0.41 | .67 / 17.0 | .21 / 5.3 | .31 / 7.9 |



PARTS ON TAPE

NOTES:

1. MATERIALS:
TERMINAL: MATTE-TIN PLATED BRASS
2. PRODUCT SPECIFICATION: PS-19902-012
3. PARTS ARE ROHS COMPLIANT

| FERRULE DESCR. CONT P/N EC NO: MNA2009-0761 DRW: ETHRODAHL 2010/10/01 CHKD: JMACNEIL 2010/10/01 APPR: JMACNEIL 2011/01/06 REV A | QUALITY SYMBOLS ▽=0 ▽=0 | GENERAL TOLERANCES (UNLESS SPECIFIED) <table border="1"> <thead> <tr> <th></th> <th>mm</th> <th>INCH</th> </tr> </thead> <tbody> <tr> <td>4 PLACES</td> <td>± .005</td> <td>± .0005</td> </tr> <tr> <td>3 PLACES</td> <td>± .005</td> <td>± .0005</td> </tr> <tr> <td>2 PLACES</td> <td>± .013</td> <td>± .010</td> </tr> <tr> <td>1 PLACE</td> <td>± 0.25</td> <td>± .020</td> </tr> </tbody> </table> | | mm | INCH | 4 PLACES | ± .005 | ± .0005 | 3 PLACES | ± .005 | ± .0005 | 2 PLACES | ± .013 | ± .010 | 1 PLACE | ± 0.25 | ± .020 | DIMENSION STYLE IN/MM | SCALE --- | DESIGN UNITS INCH | THIRD ANGLE PROJECTION |
|--|-------------------------------|--|------------------------------|---|------|----------|--------|---------|----------|--------|---------|----------|--------|--------|---------|--------|--------|--------------------------|--------------|----------------------|------------------------|
| | | mm | INCH | | | | | | | | | | | | | | | | | | |
| | 4 PLACES | ± .005 | ± .0005 | | | | | | | | | | | | | | | | | | |
| | 3 PLACES | ± .005 | ± .0005 | | | | | | | | | | | | | | | | | | |
| 2 PLACES | ± .013 | ± .010 | | | | | | | | | | | | | | | | | | | |
| 1 PLACE | ± 0.25 | ± .020 | | | | | | | | | | | | | | | | | | | |
| DRAFT WHERE APPLICABLE MUST REMAIN WITHIN DIMENSIONS | | DRAWN BY ETHRODAHL | DATE 2010/10/01 | TITLE QUIXON LOW INSERT FORCE UNINSULATED QUICK DISC KRIMPTITE 22-14 AWG | | | | | | | | | | | | | | | | | |
| | | APPROVED BY JMACNEIL | DATE 2011/01/06 | MOLEX INCORPORATED | | | | | | | | | | | | | | | | | |
| | | MATERIAL NO. SEE CHART | DOCUMENT NO. SD-19273-001 | SHEET NO. 1 OF 1 | | | | | | | | | | | | | | | | | |