

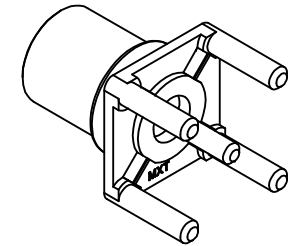
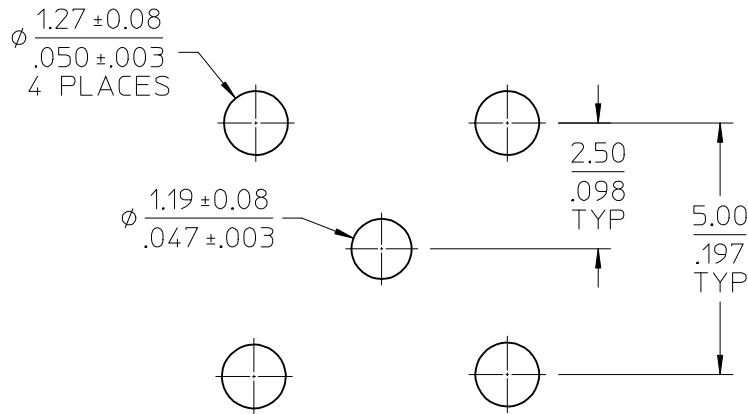
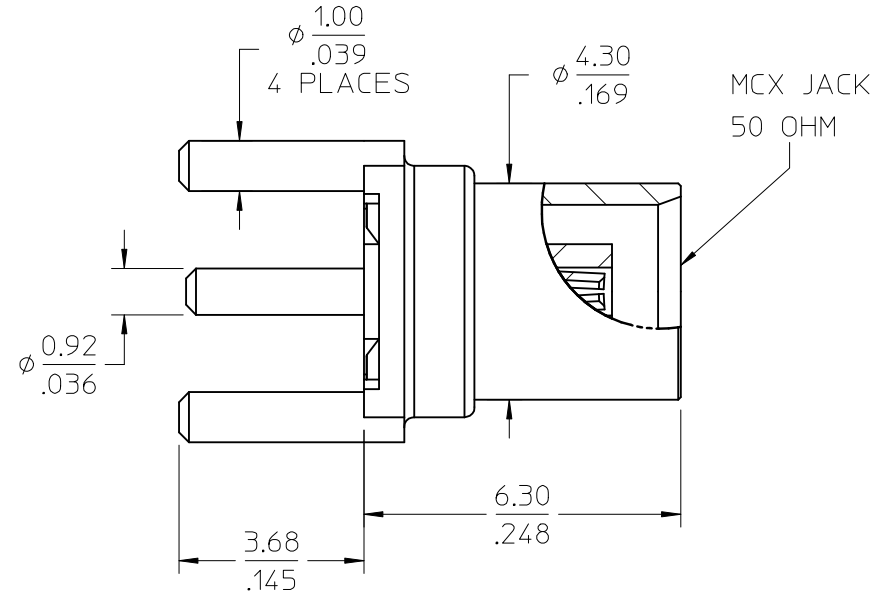
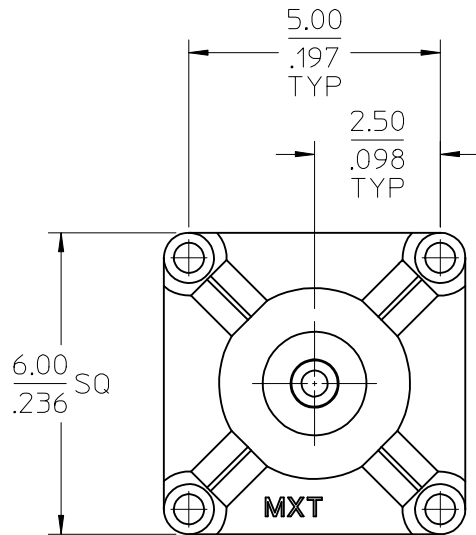
MATERIALS AND FINISHES
 BODY: BRASS
 PLATED: NICKEL 70u"

GROUNDING LEGS: ZINC ALLOY
 PLATED: TIN 150u"

INSULATOR: TEFLON

CENTER CONTACT: BERYLLIUM COPPER
 PLATED: GOLD 10u"

PACKAGING: TRAY



PART NO: 73366-0000

RECOMMENDED PCB LAYOUT

PS-89675-1830	ELECT / MECH
CECC 22 220	INTERFACE
SPECIFICATION	DESCRIPTION

CHG: UPDATE VIEWS CHANGE PCB LAYOUT PS WAS 73598-0132 REDIMENSIONED EC NO:JRF2005-0073 DRWN:JWIENER 2013/04/04 CHKD:SSS 2013/04/04 APPR:JWIENER 2013/04/08 D1	QUALITY SYMBOLS ▽ - 0 ▽ - 0 ▽ - 0	GENERAL TOLERANCES (UNLESS SPECIFIED) 4 PLACES ± .08 3 PLACES ± 0.08 2 PLACES ± 0.10 1 PLACE ± 0.13	SCALE DESIGN UNITS METRIC DIMENSION STYLE MM/IN	THIRD ANGLE PROJECTION REVISE ON CAD ONLY	
		mm INCH ± --- ± --- ± 0.08 ± --- ± 0.10 ± --- ± 0.13 ± ---	DRAWN BY DATE JOHN 2004/09/22 CHECKED BY DATE KERRIE 2004/09/22 APPROVED BY DATE JWIENER 2013/04/08	TITLE MCX JACK PCB THRU HOLE 50 OHM MCX-J/PCB	MOLEX MOLEX INCORPORATED
		ANGULAR ± 5 ° DRAFT WHERE APPLICABLE MUST REMAIN WITHIN DIMENSIONS	MATERIAL NO. SEE TABLE	DOCUMENT NO. SD-73366-000	SHEET NO. 1 OF 1
		THIS DRAWING CONTAINS INFORMATION THAT IS PROPRIETARY TO MOLEX INCORPORATED AND SHOULD NOT BE USED WITHOUT WRITTEN PERMISSION			